



US00D912305S

(12) **United States Design Patent**
Langhals et al.

(10) **Patent No.:** **US D912,305 S**
(45) **Date of Patent:** **** Mar. 2, 2021**

(54) **FOG LAMP BEZEL**

(71) Applicants: **Taylor A. Langhals**, Waterford, MI (US); **Brian H. Nielander**, Royal Oak, MI (US); **Mark T. Allen**, Oxford, MI (US)

(72) Inventors: **Taylor A. Langhals**, Waterford, MI (US); **Brian H. Nielander**, Royal Oak, MI (US); **Mark T. Allen**, Oxford, MI (US)

(73) Assignee: **FCA US LLC**, Auburn Hills, MI (US)

(**) Term: **15 Years**

(21) Appl. No.: **29/737,293**

(22) Filed: **Jun. 8, 2020**

Related U.S. Application Data

(63) Continuation-in-part of application No. 29/670,328, filed on Nov. 15, 2018, now Pat. No. Des. 887,899.

(51) **LOC (13) Cl.** **26-99**

(52) **U.S. Cl.**
USPC **D26/139**

(58) **Field of Classification Search**
USPC D26/28-36, 139
CPC F21S 48/00; F21S 48/10; F21S 48/115; F21S 48/225; F21S 48/1233; F21S 48/1266; F21S 48/1388; F21S 48/2268; F21V 21/04; F21V 29/004; B60Q 9/13; B60Q 9/135; B60Q 9/1375; F21W 2107/13; F21W 2107/17; F21W 2104/00; F21W 2103/55; F21W 2103/00

See application file for complete search history.

(56) **References Cited**

U.S. PATENT DOCUMENTS

D316,461 S *	4/1991	McGlothlin	D26/139
D318,537 S *	7/1991	Allman	D26/139
D387,469 S *	12/1997	Saleen	D26/139
D632,424 S *	2/2011	Fesler	D26/139
D640,826 S *	6/2011	Beigel	D26/139

* cited by examiner

Primary Examiner — Marcus A Jackson

(74) *Attorney, Agent, or Firm* — Ralph E. Smith

(57) **CLAIM**

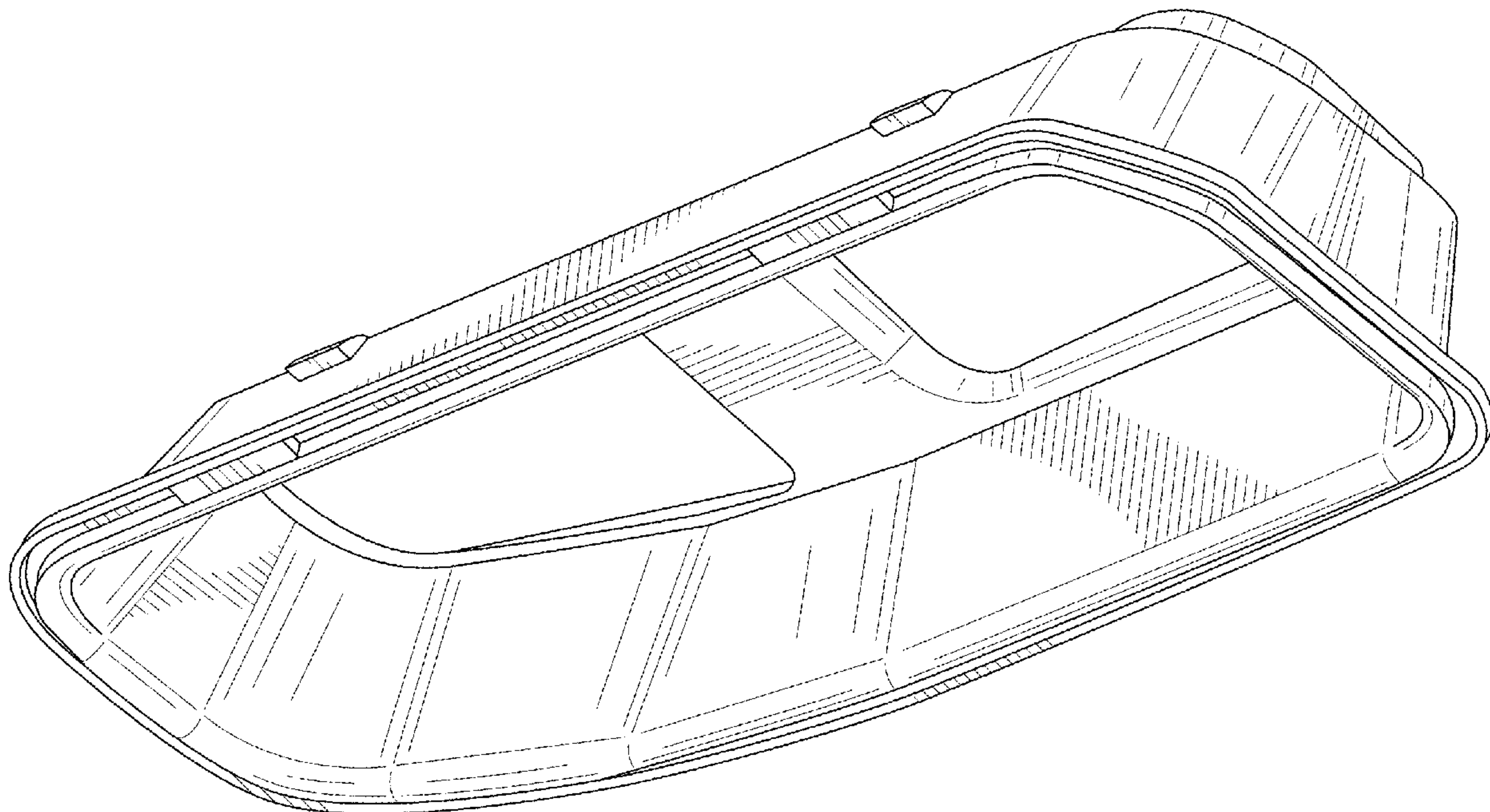
The ornamental design for a fog lamp bezel, as shown and described.

DESCRIPTION

FIG. 1 is a right front perspective view of a fog lamp bezel showing our new design;
FIG. 2 is a left front perspective view thereof;
FIG. 3 is a front view thereof;
FIG. 4 is a rear view thereof;
FIG. 5 is a side view thereof;
FIG. 6 is an opposite side view thereof;
FIG. 7 is a top view thereof; and,
FIG. 8 is a bottom view thereof.

It will be understood that the broken lines shown in the drawings illustrate portions of the fog lamp bezel that form no part of the claimed design.

1 Claim, 7 Drawing Sheets



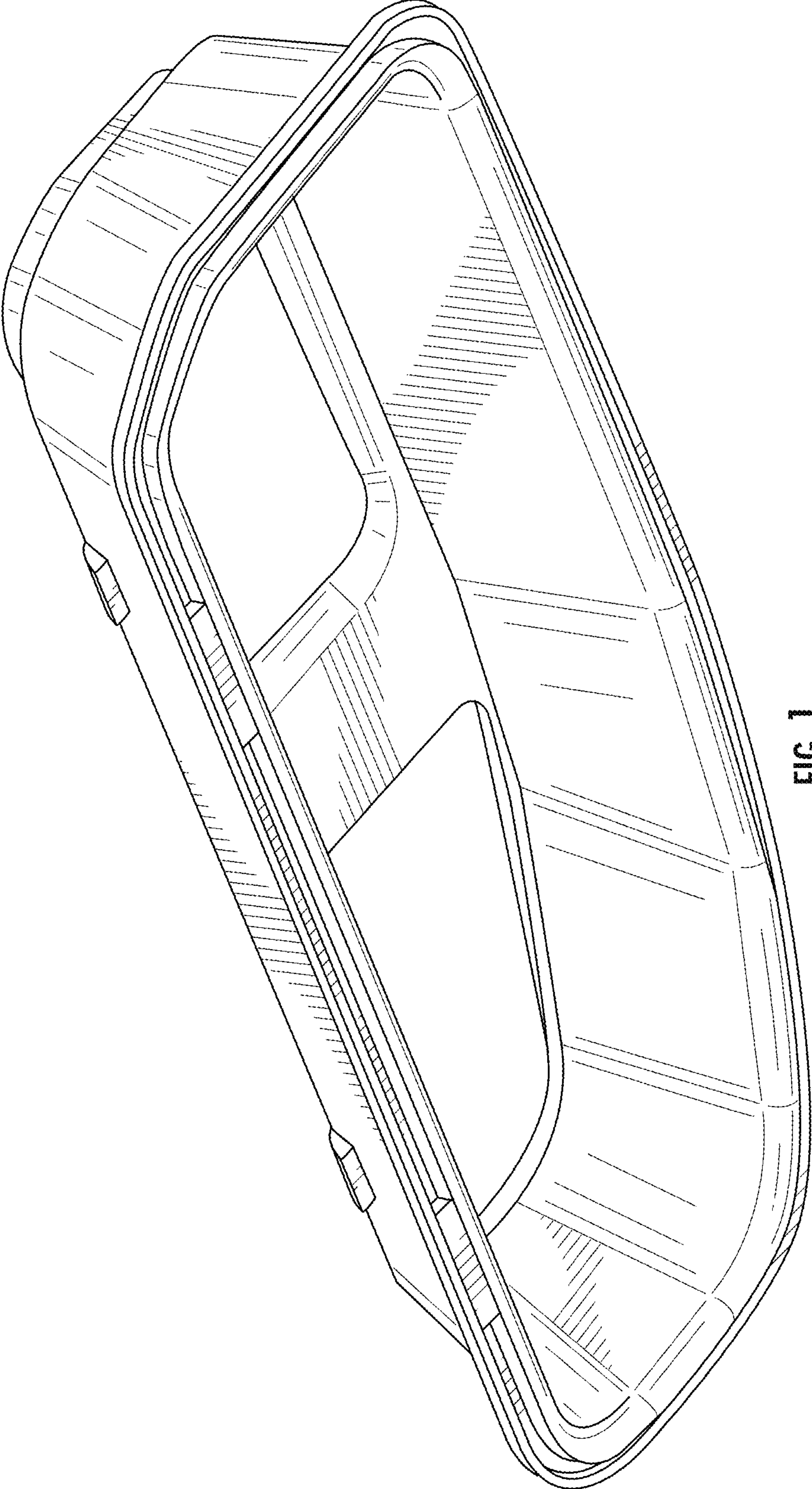


FIG. 1

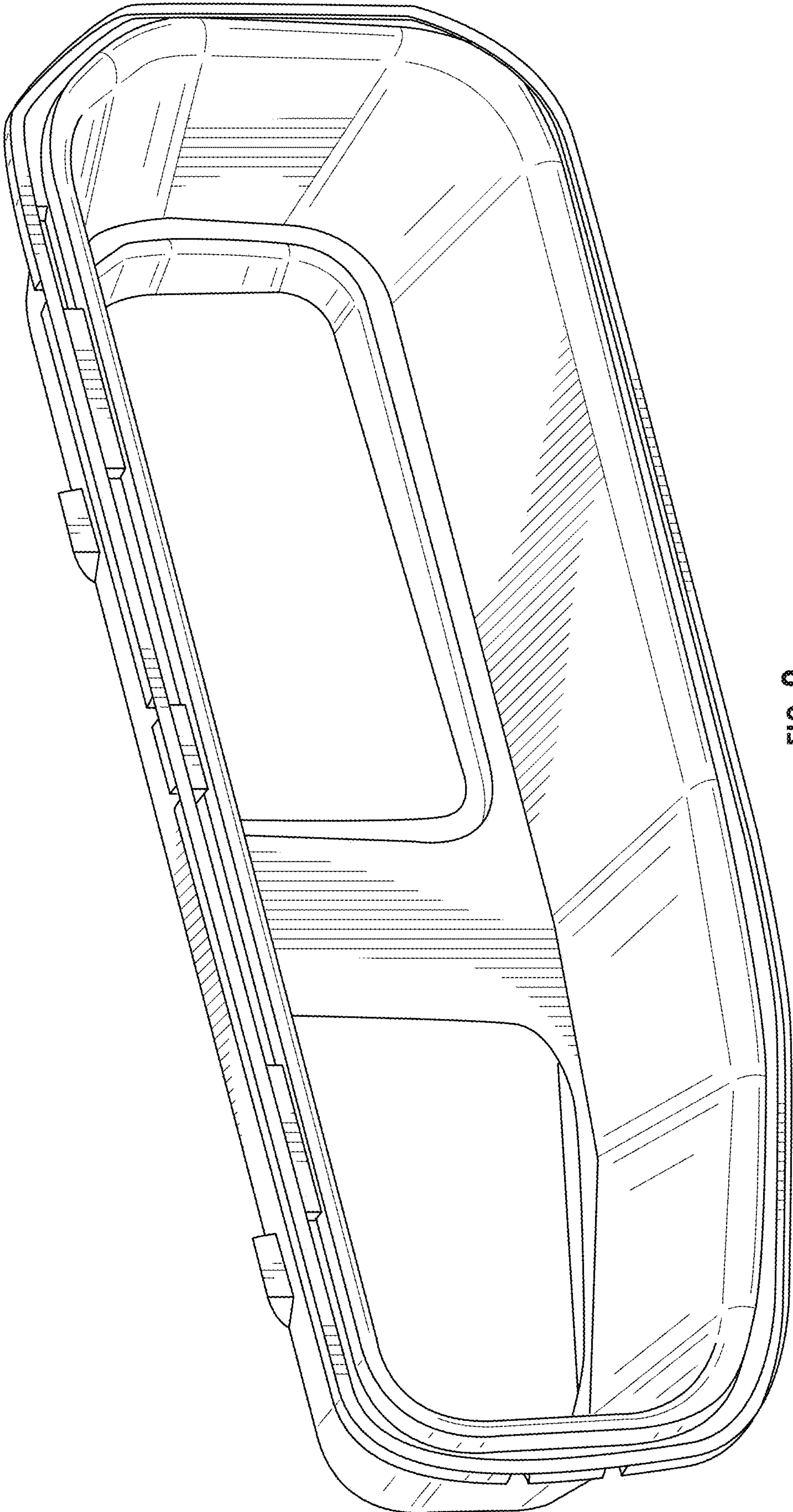


FIG. 2

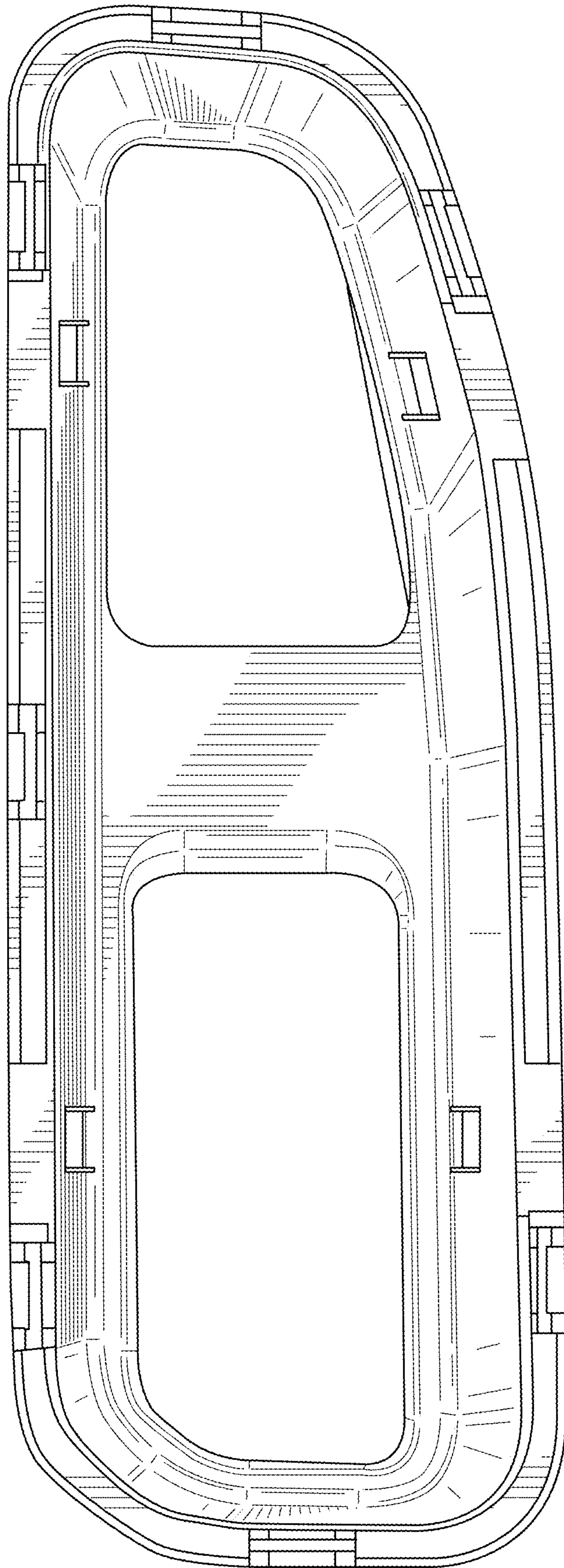


FIG. 3

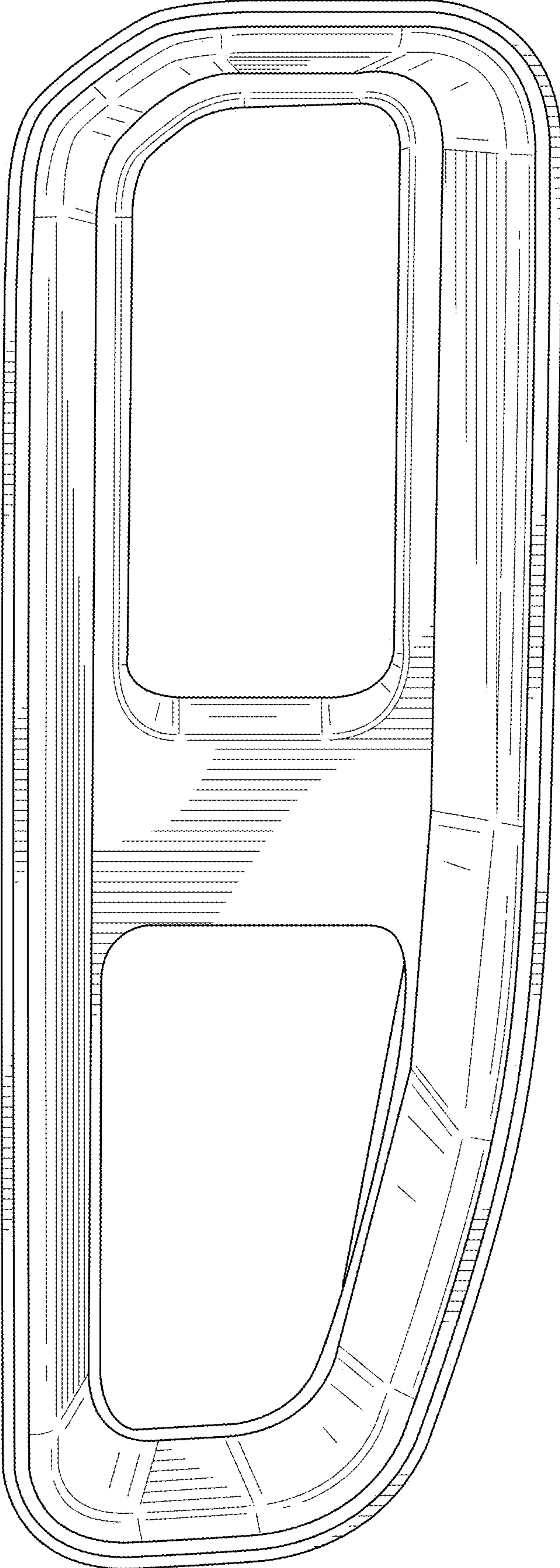


FIG. 4

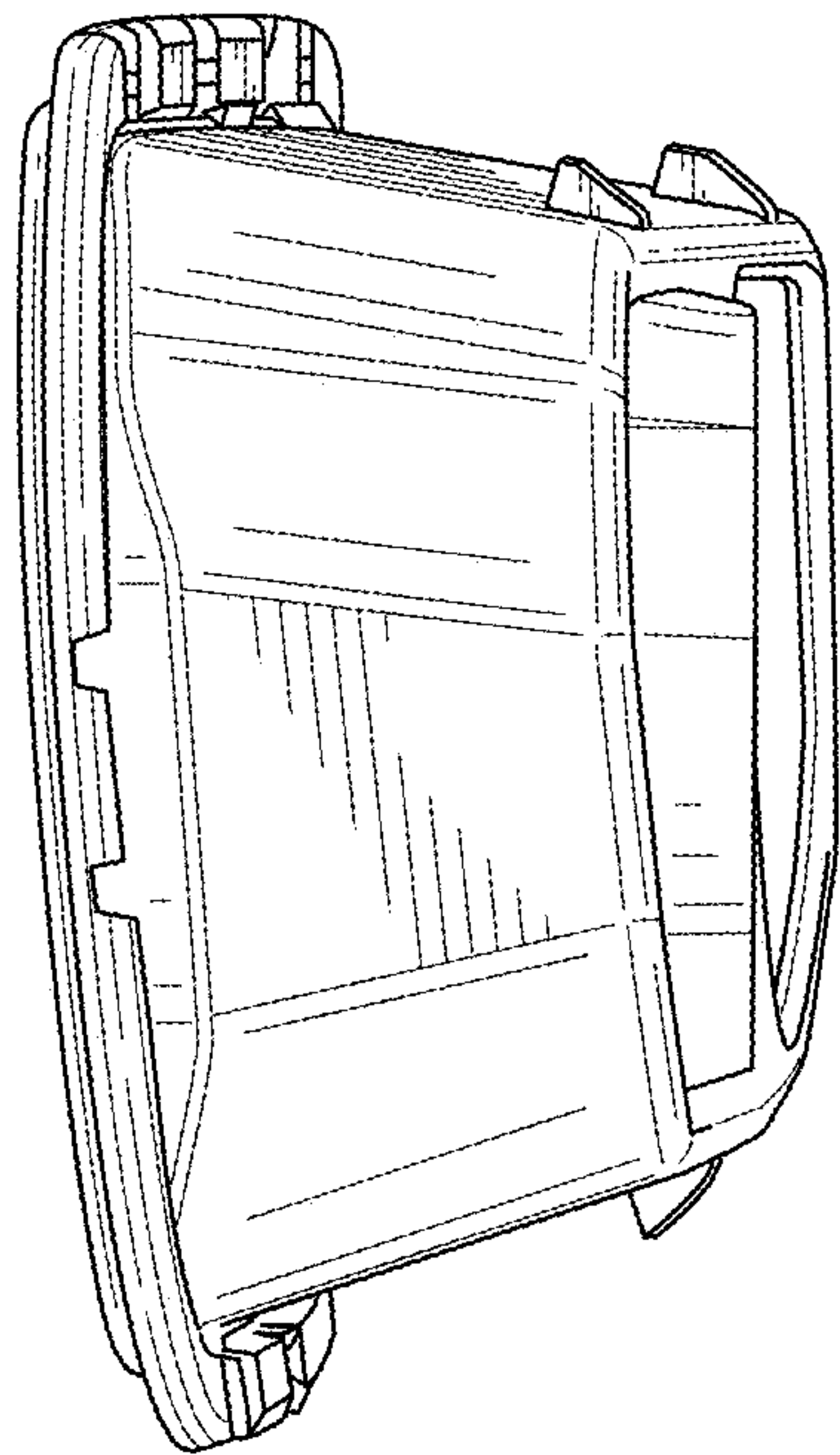


FIG. 5

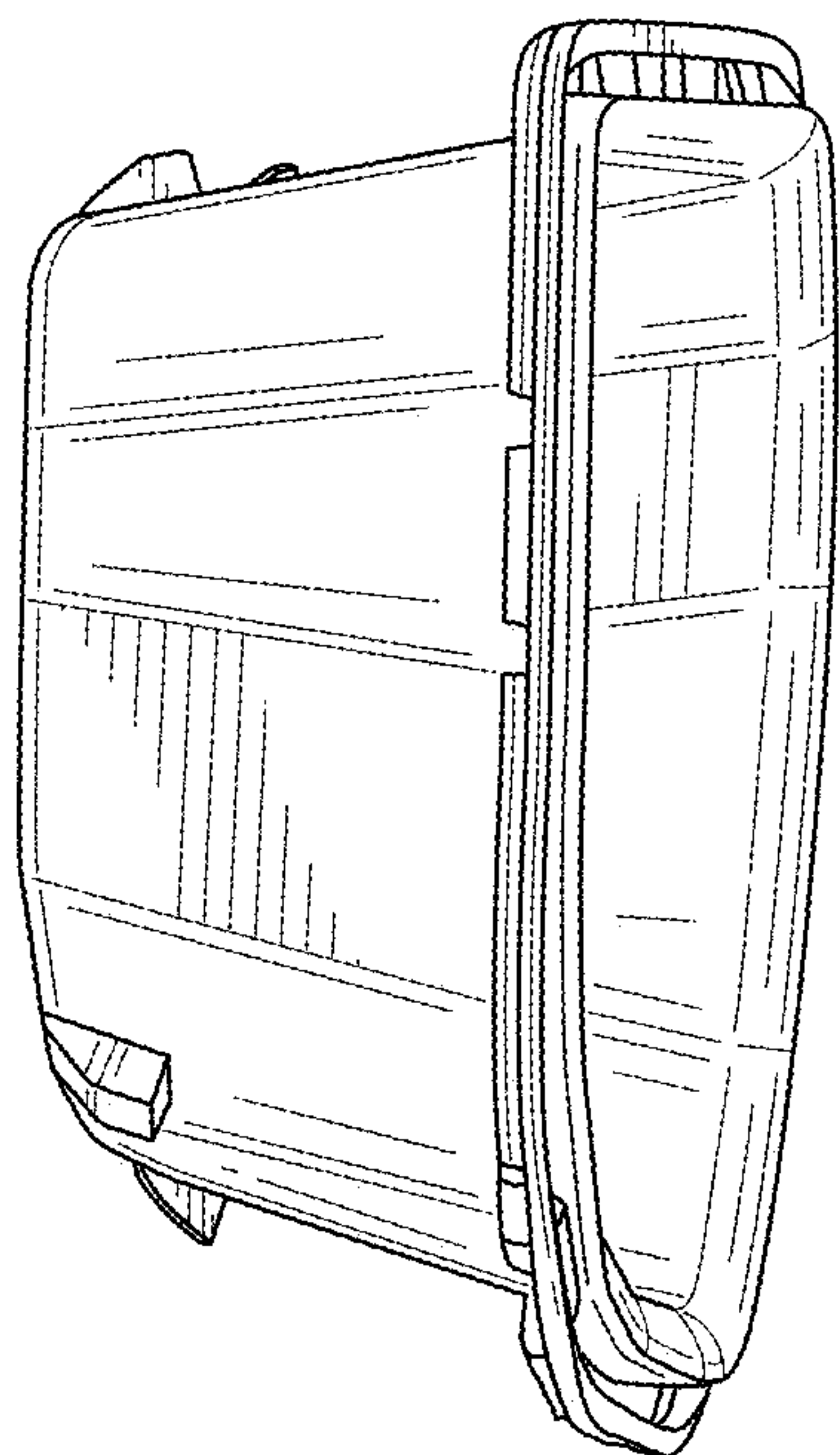


FIG. 6

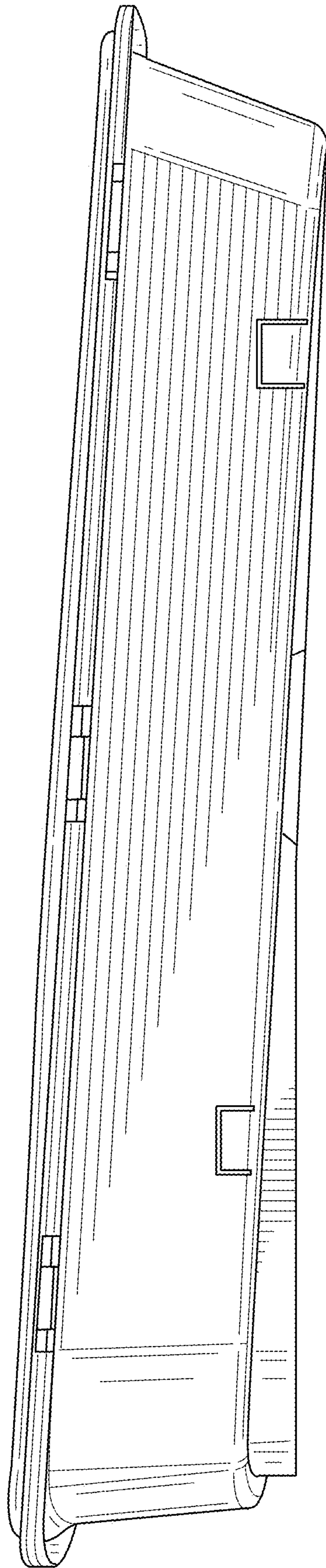


FIG. 7

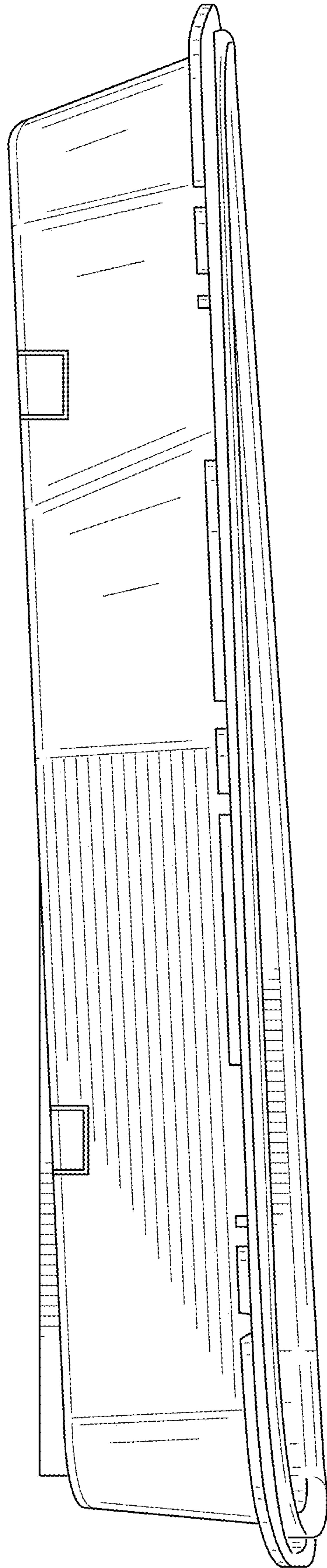


FIG. 8