



US00D912302S

(12) **United States Design Patent**
Ng et al.

(10) **Patent No.:** **US D912,302 S**
(45) **Date of Patent:** **** Mar. 2, 2021**

(54) **LAMP**

(71) Applicant: **Koncept Technologies, Inc.**, Monrovia, CA (US)

(72) Inventors: **Kenneth Ng**, Monrovia, CA (US);
Edmund Ng, Monrovia, CA (US)

(73) Assignee: **KONCEPT TECHNOLOGIES, INC.**, Monrovia, CA (US)

(**) Term: **15 Years**

(21) Appl. No.: **29/686,778**

(22) Filed: **Apr. 8, 2019**

(51) **LOC (13) Cl.** **26-03**

(52) **U.S. Cl.**
USPC **D26/93**

(58) **Field of Classification Search**
USPC D26/93, 106, 110, 112
CPC F21S 6/00; F21S 6/002; F21S 8/00; F21S 8/08; F21V 31/00; F21V 21/02; F21W 2131/10; F21W 2131/30

See application file for complete search history.

(56) **References Cited**

U.S. PATENT DOCUMENTS

D433,176 S * 10/2000 Barry D26/112
D642,324 S * 7/2011 Lewis D26/110

D674,958 S * 1/2013 Ng D26/106
D675,769 S * 2/2013 Choi D26/106
D690,874 S * 10/2013 Waldemeyer D26/106
D748,845 S * 2/2016 Bodkin D26/110
D753,332 S * 4/2016 De Bevilacqua D26/106
D774,658 S * 12/2016 Andersen D24/210
D782,726 S * 3/2017 Thompson D26/93

* cited by examiner

Primary Examiner — Brian N. Vinson

(74) *Attorney, Agent, or Firm* — Steins & Associates, P.C.

(57) **CLAIM**

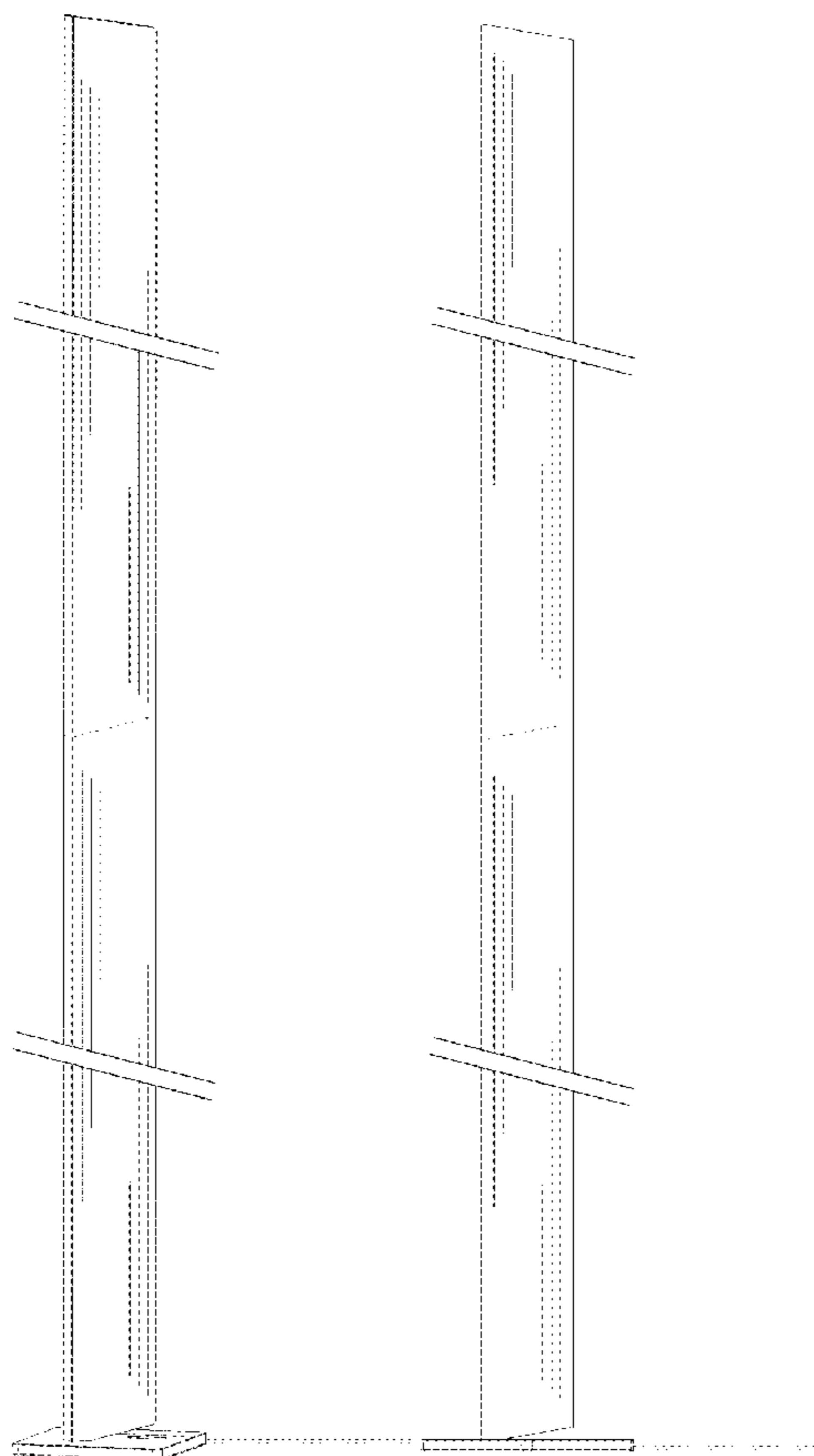
What is claimed is the ornamental design for a lamp, as shown.

DESCRIPTION

FIG. 1 is a perspective view of the lamp;
FIG. 2 is a back view of the lamp;
FIG. 3 is a front view of the lamp;
FIG. 4 is a right side view of the lamp;
FIG. 5 is a left side view of the lamp;
FIG. 6 is a top view of the lamp;
FIG. 7 is a bottom view of the lamp; and,
FIG. 8 is a perspective view of the lamp.

The portions of the lamp shown in broken lines form no part of the claimed design. The lamp is shown with symbolic breaks in its length. The appearance of any portion of the article between the break lines form no part of the claimed design.

1 Claim, 8 Drawing Sheets



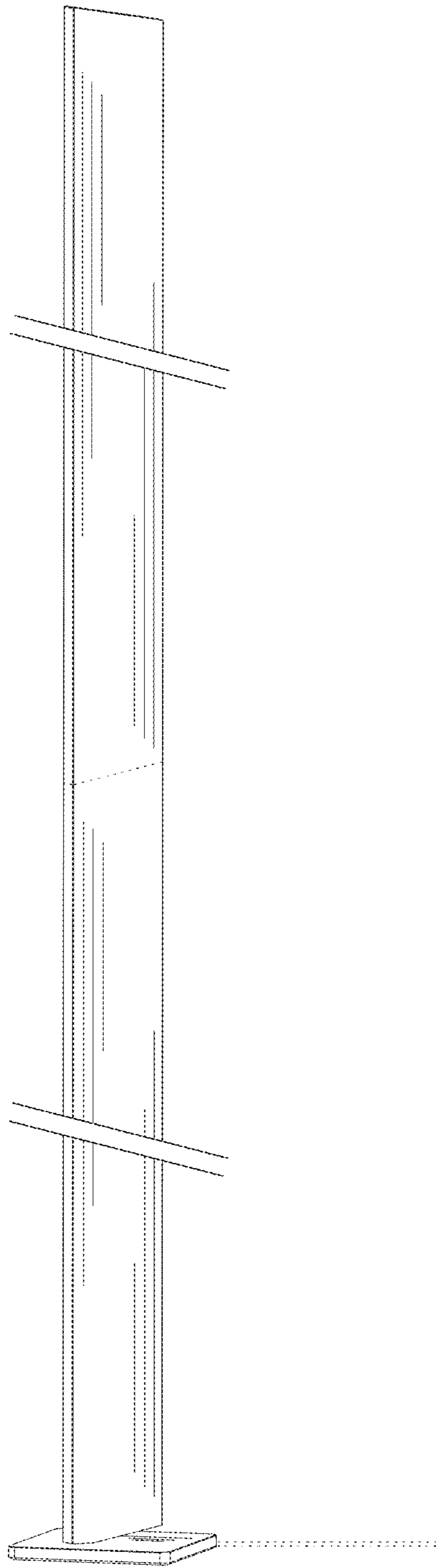


FIG. 1

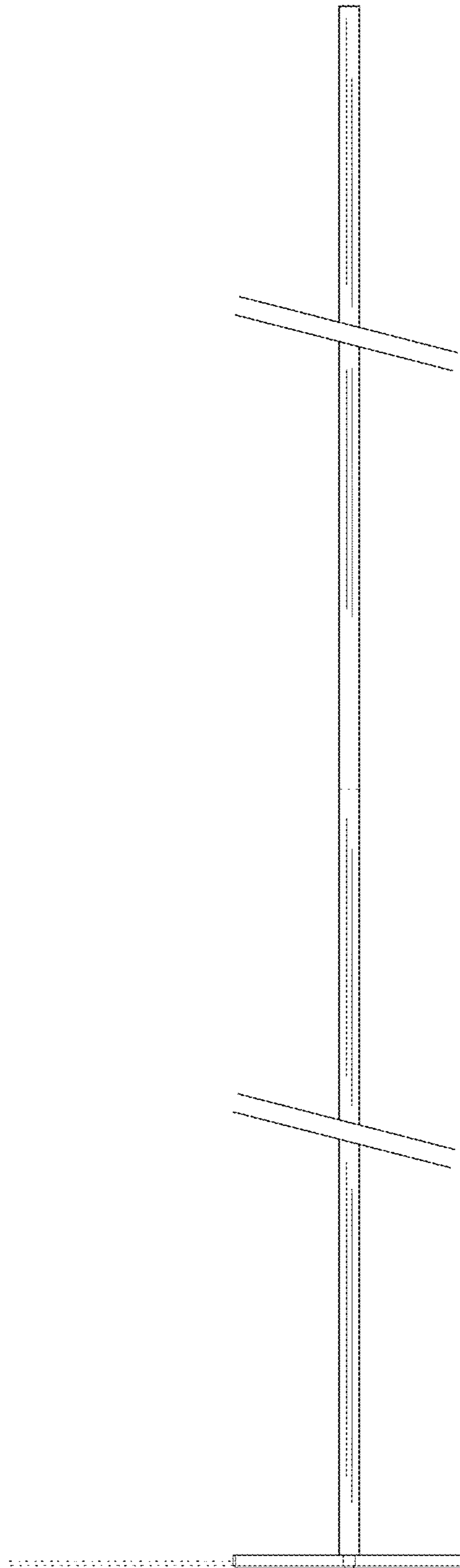


FIG. 2

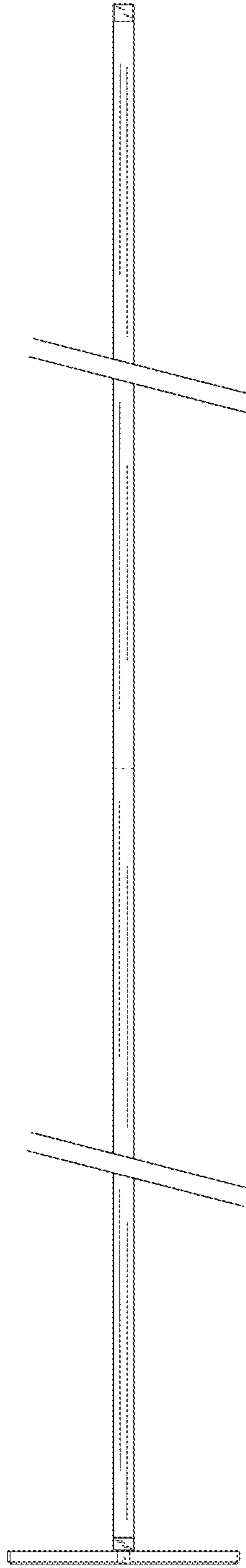


FIG. 3

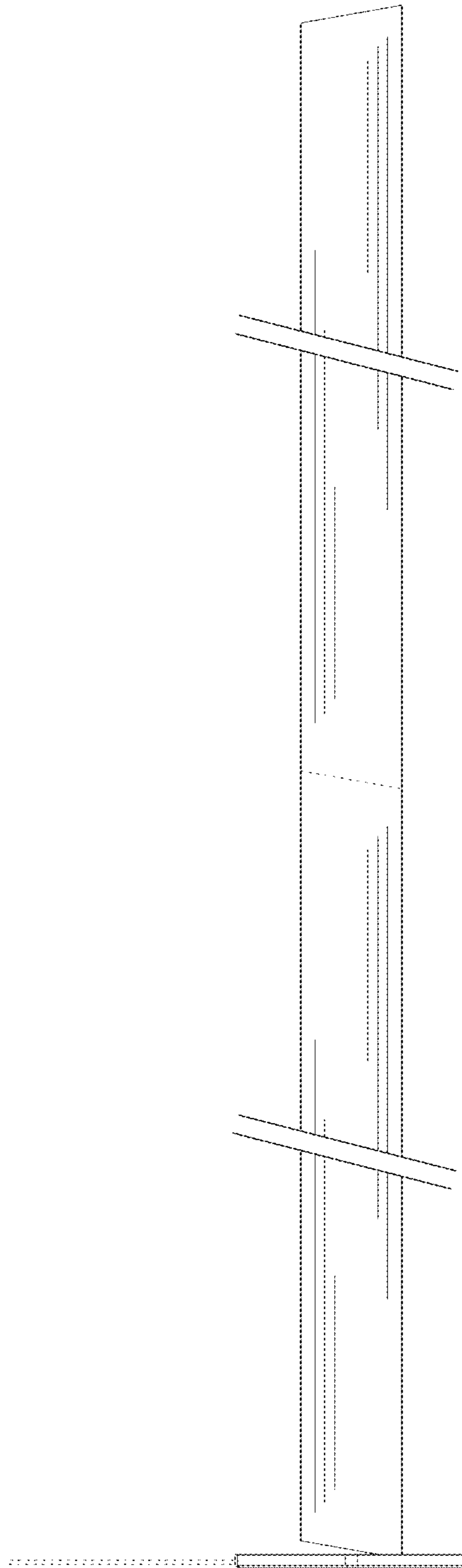


FIG. 4

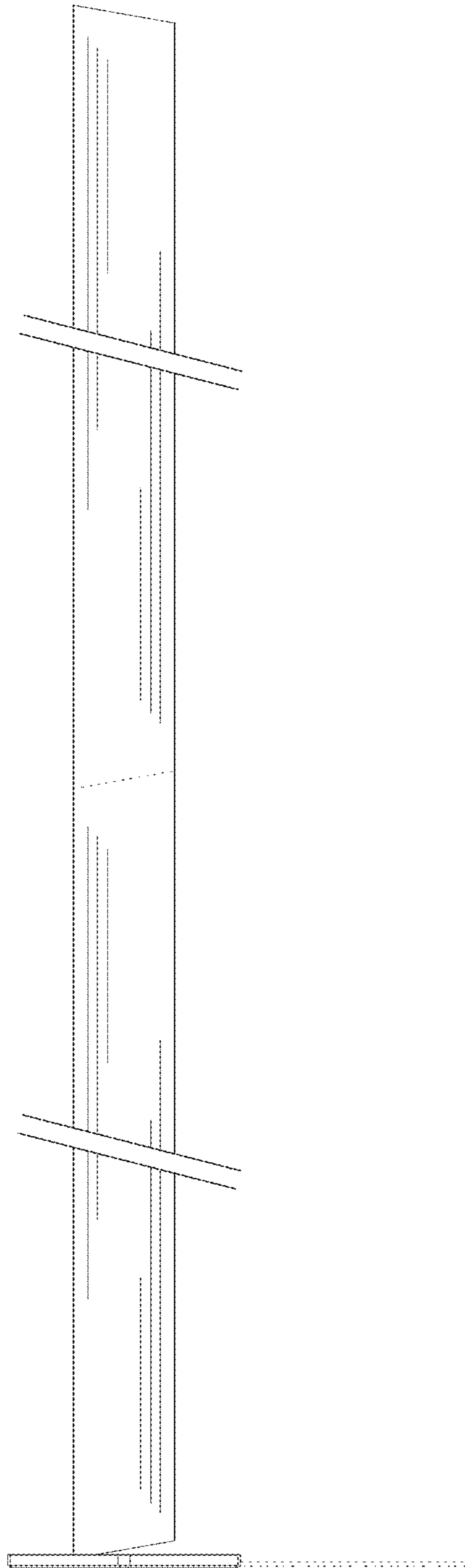


FIG. 5

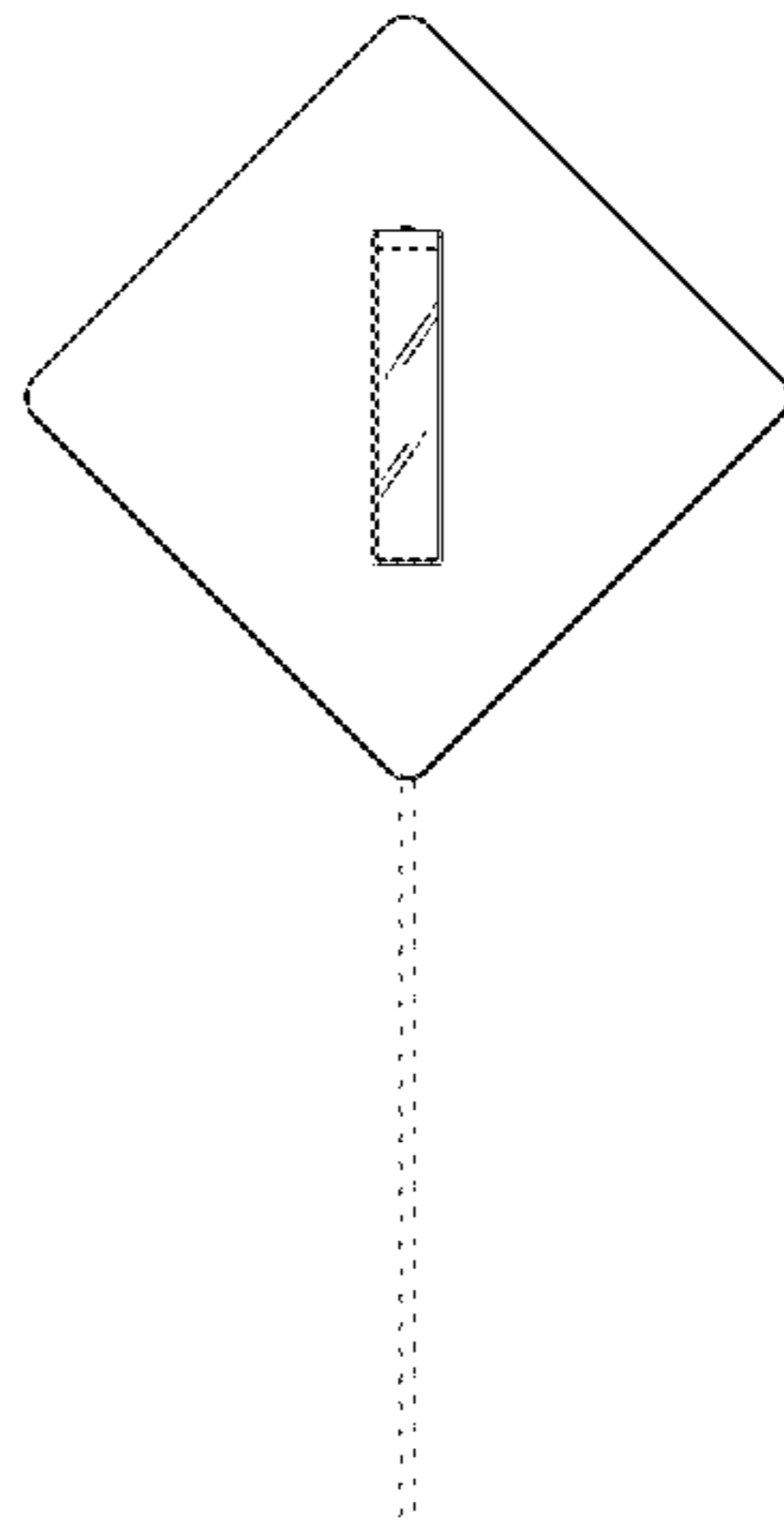


FIG. 6



FIG. 7

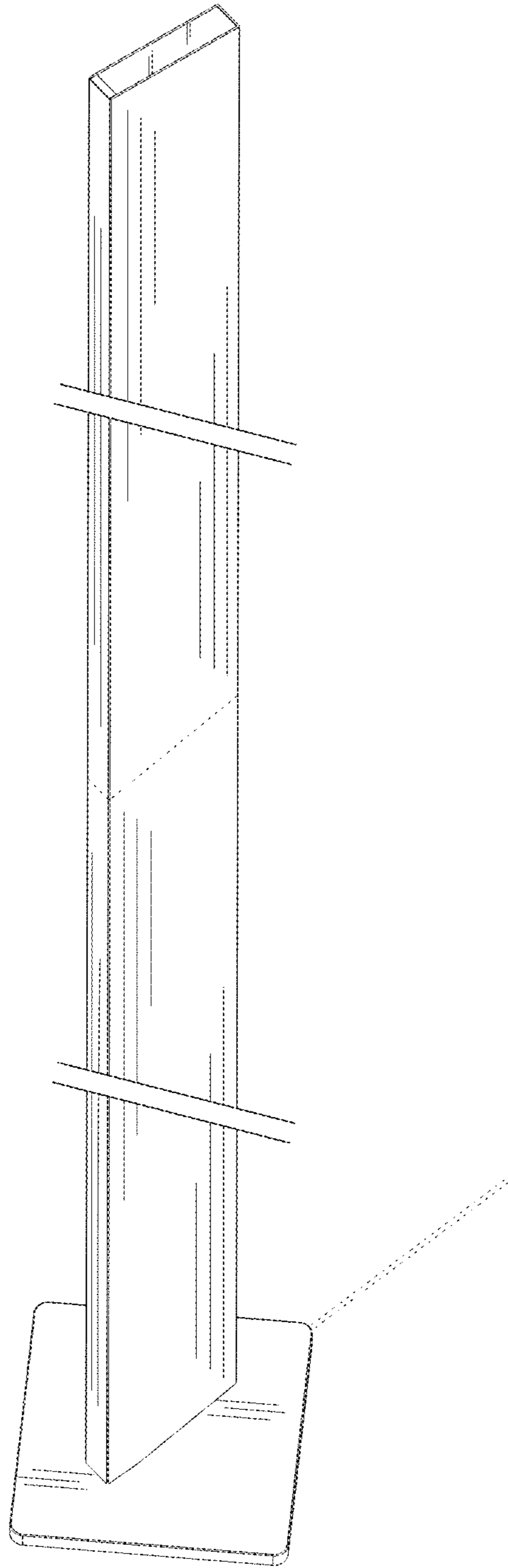


FIG. 8