



US00D912300S

(12) **United States Design Patent**
Chen

(10) **Patent No.:** **US D912,300 S**

(45) **Date of Patent:** **** Mar. 2, 2021**

(54) **LED LIGHT**

(71) Applicant: **Shenzhen City Sang Leite**
Photoelectric Limited, Shenzhen (CN)

(72) Inventor: **Dongyi Chen, Shenzhen (CN)**

(**) Term: **15 Years**

(21) Appl. No.: **29/698,421**

(22) Filed: **Jul. 17, 2019**

(51) **LOC (13) Cl.** **26-03**

(52) **U.S. Cl.**
USPC **D26/85; D26/67**

(58) **Field of Classification Search**
USPC D26/67, 72, 80, 85, 88, 87, 40, 41, 51,
D26/92
CPC F21S 8/03; F21S 8/033; F21S 8/036; F21S
8/081; F21W 2111/02; F21W 2111/023;
F21W 2131/109
See application file for complete search history.

(56) **References Cited**

U.S. PATENT DOCUMENTS

D62,887 S *	8/1923	Dahl	D26/87
1,662,136 A *	3/1928	Stevens	F21S 8/04 362/367
D76,062 S *	8/1928	Shortt	D26/87
D513,337 S *	12/2005	Burke	D26/85
D534,676 S *	1/2007	Chen	D26/87
D653,379 S *	1/2012	Chen	D26/87
D653,380 S *	1/2012	Chen	D26/87

D666,758 S *	9/2012	Ho	D26/67
D694,458 S *	11/2013	Yang	D26/85
D843,038 S *	3/2019	Vyvey	D26/40
2019/0170308 A1 *	6/2019	Yeh	F21S 8/00

OTHER PUBLICATIONS

VZCOME Solar Lantern Lights available at amazon.com Jun. 8, 2020. (Year: 2020).*

VKTECH Candle Lantern with Flameless Flickering LED Candle available at amazon.com Jun. 27, 2018. (Year: 2018).*

* cited by examiner

Primary Examiner — Clare E Heflin

(74) *Attorney, Agent, or Firm* — ZANIP

(57) **CLAIM**

The ornamental design for an LED light, as shown and described.

DESCRIPTION

FIG. 1 is a front and top perspective view of an LED light, showing my new design;

FIG. 2 is a back and bottom perspective view thereof;

FIG. 3 is a front view thereof;

FIG. 4 is a back view thereof;

FIG. 5 is a left side view thereof;

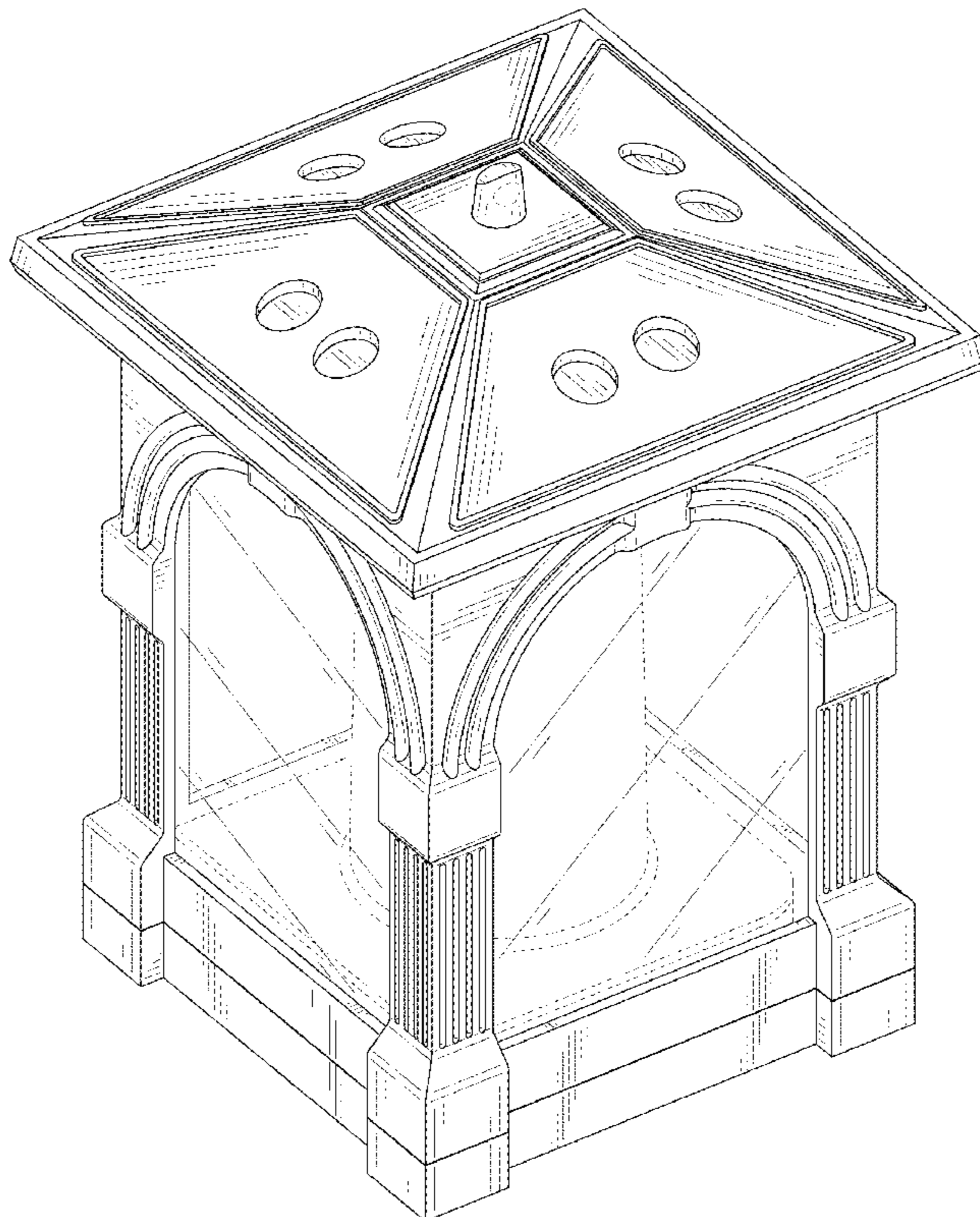
FIG. 6 is a right side view thereof;

FIG. 7 is atop view thereof; and,

FIG. 8 is a bottom view thereof.

The broken lines in the figures illustrate portions of the LED light that form no part of the claimed design.

1 Claim, 8 Drawing Sheets



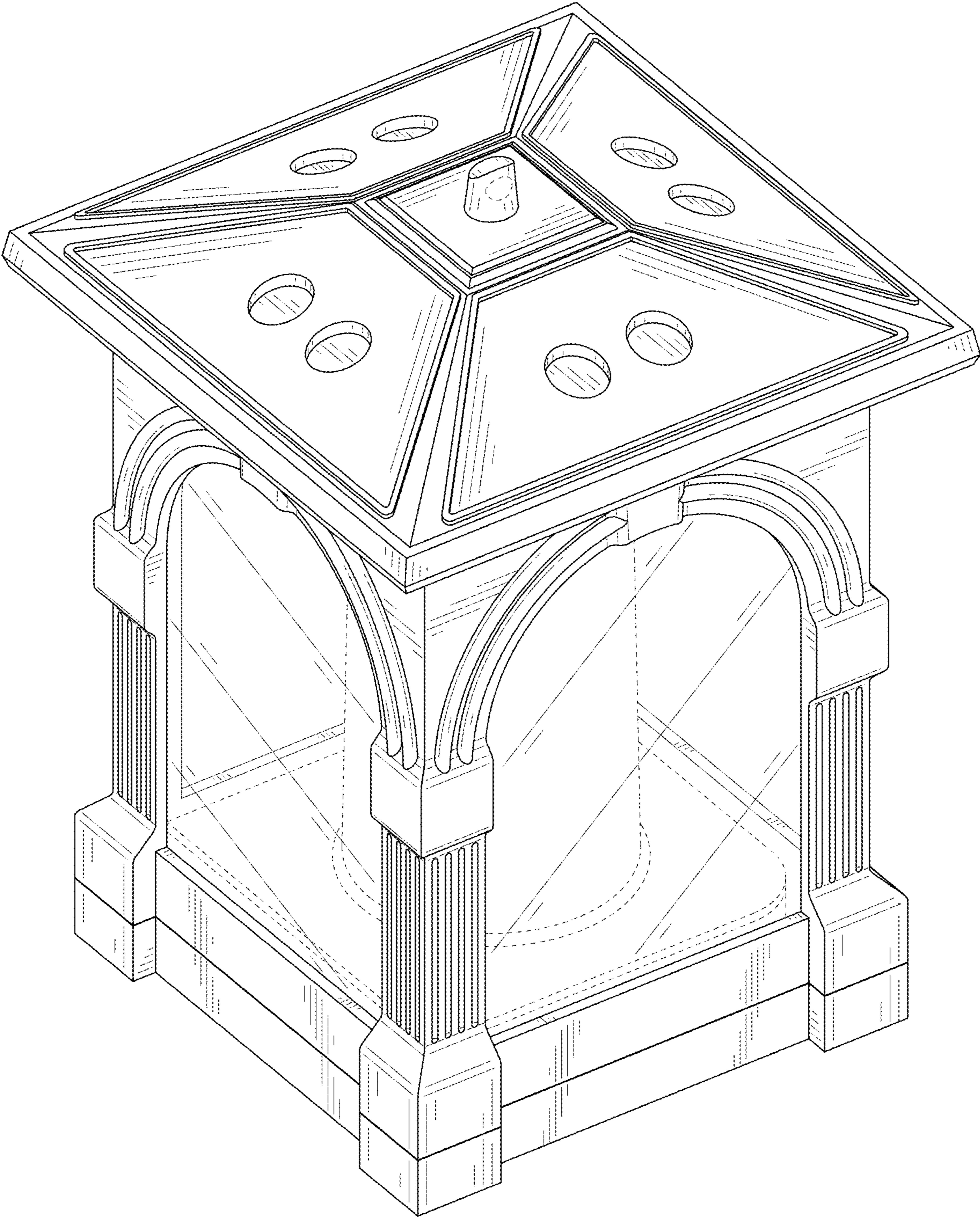


FIG. 1

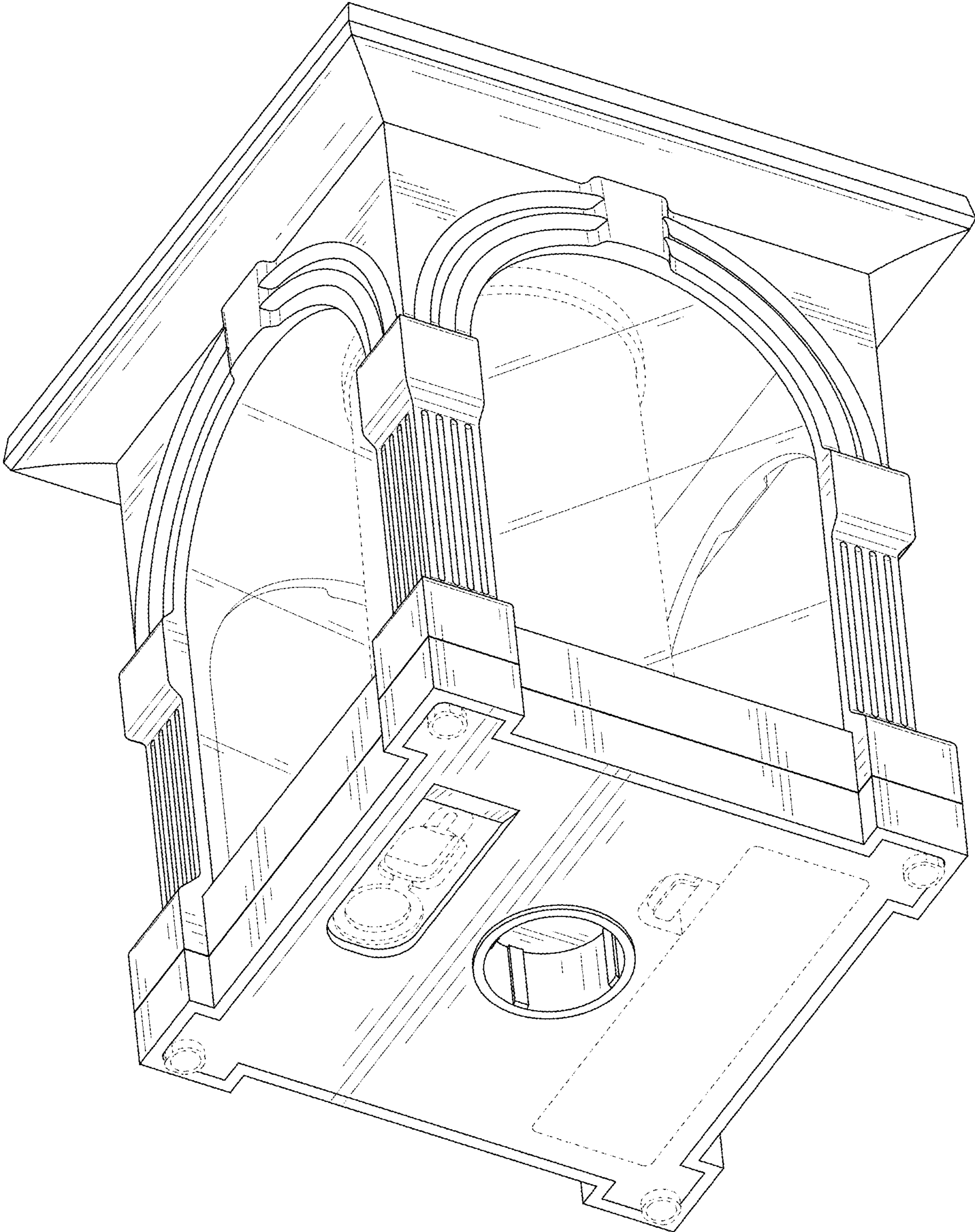


FIG. 2

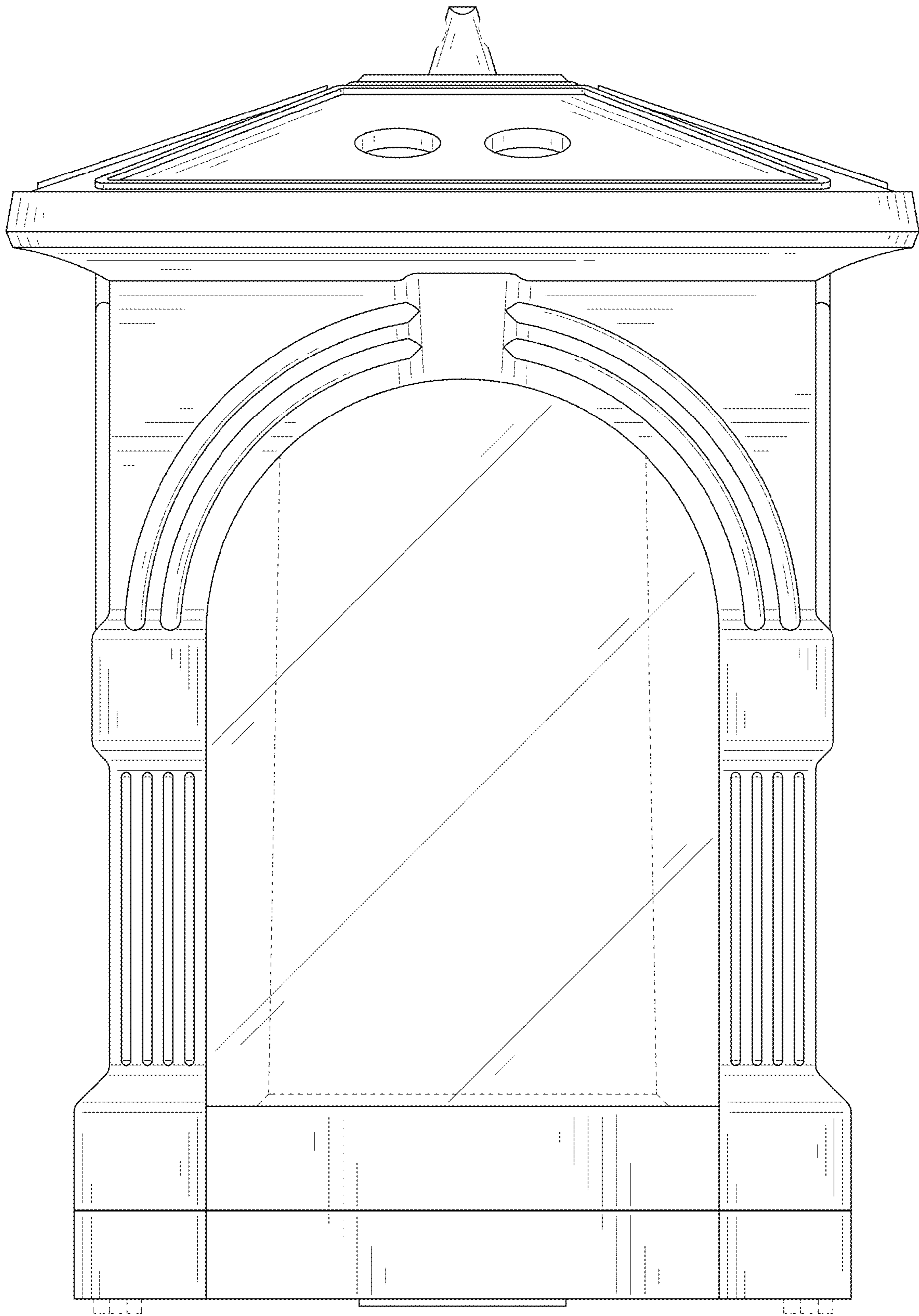


FIG. 3

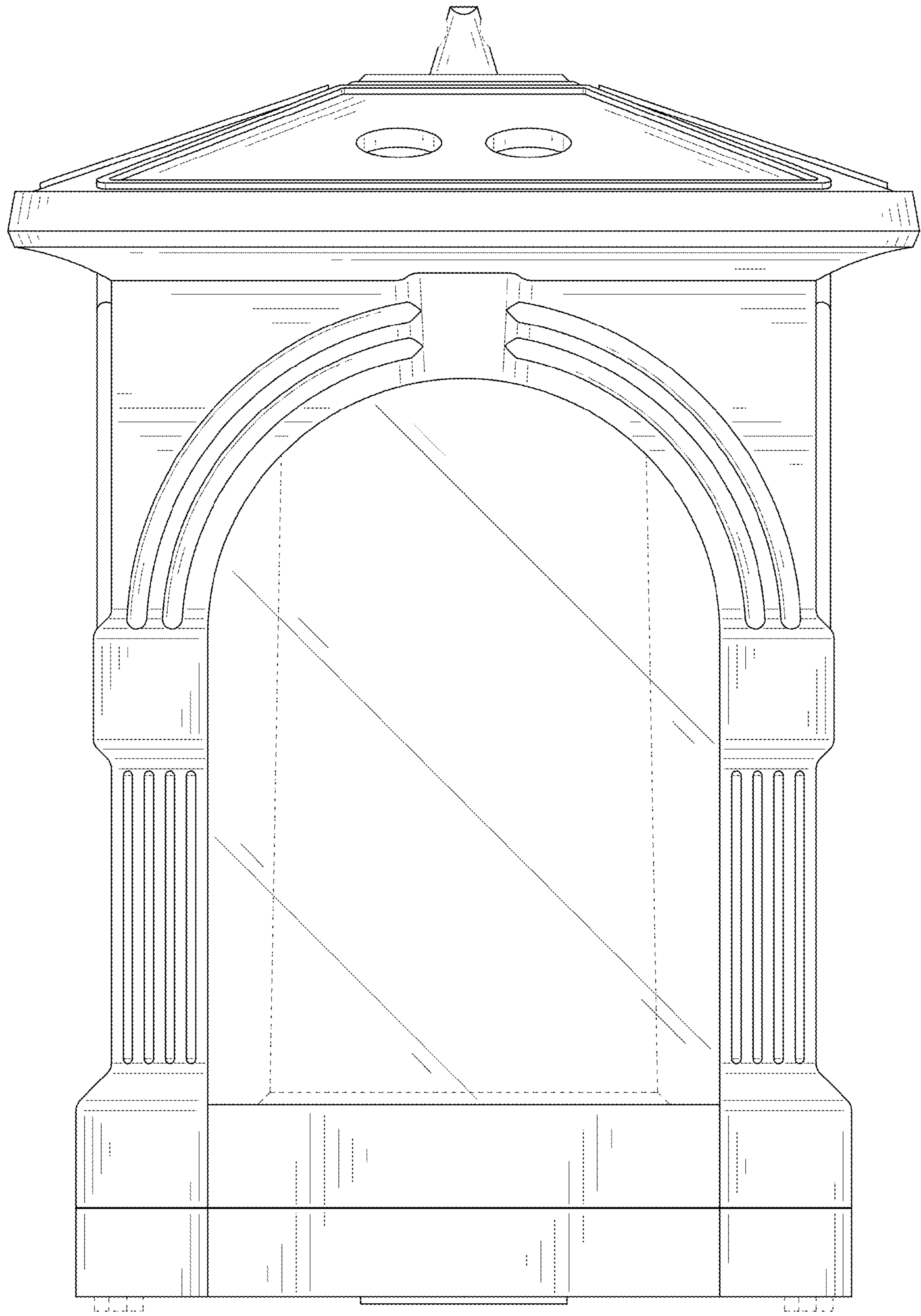


FIG. 4

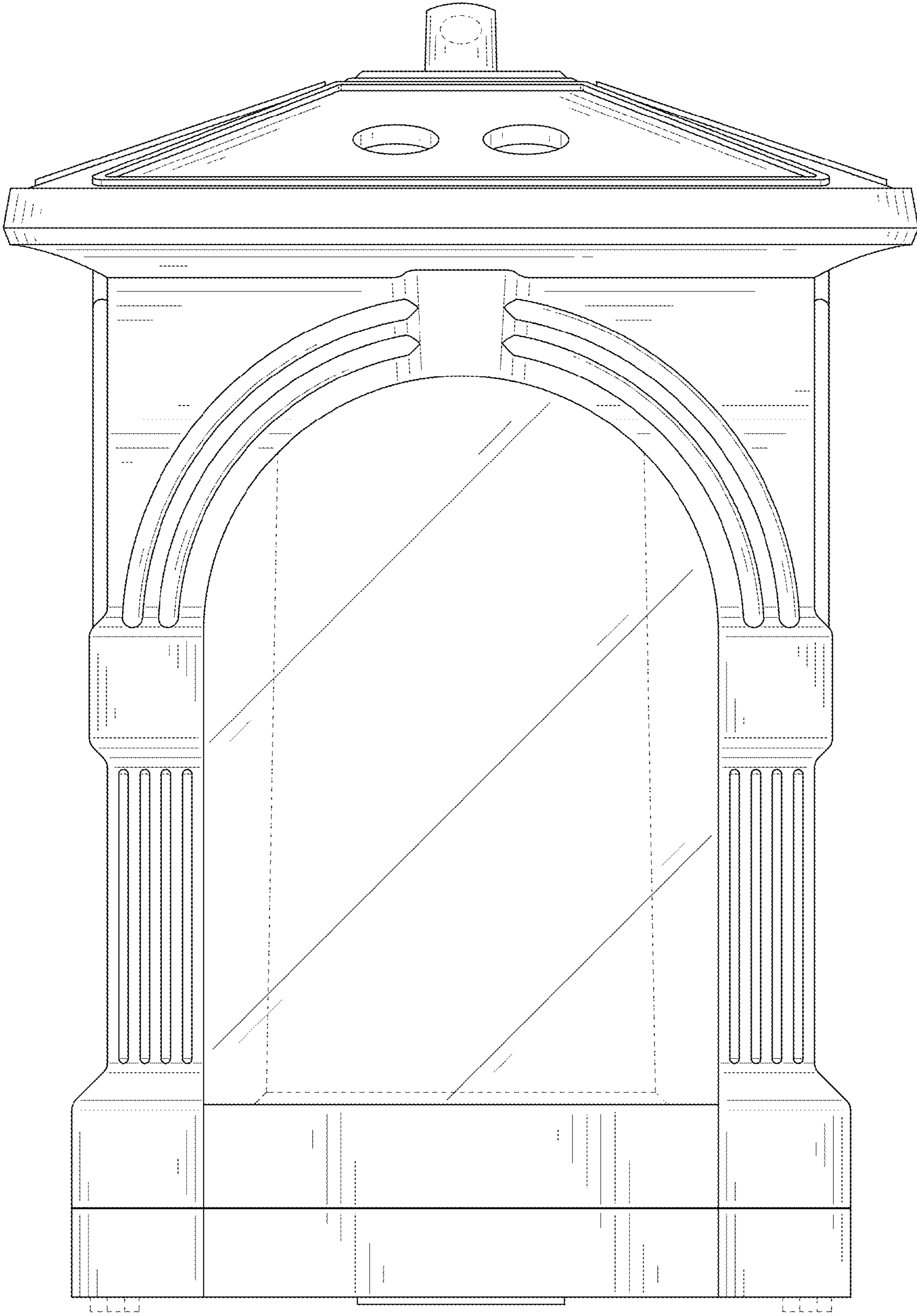


FIG. 5

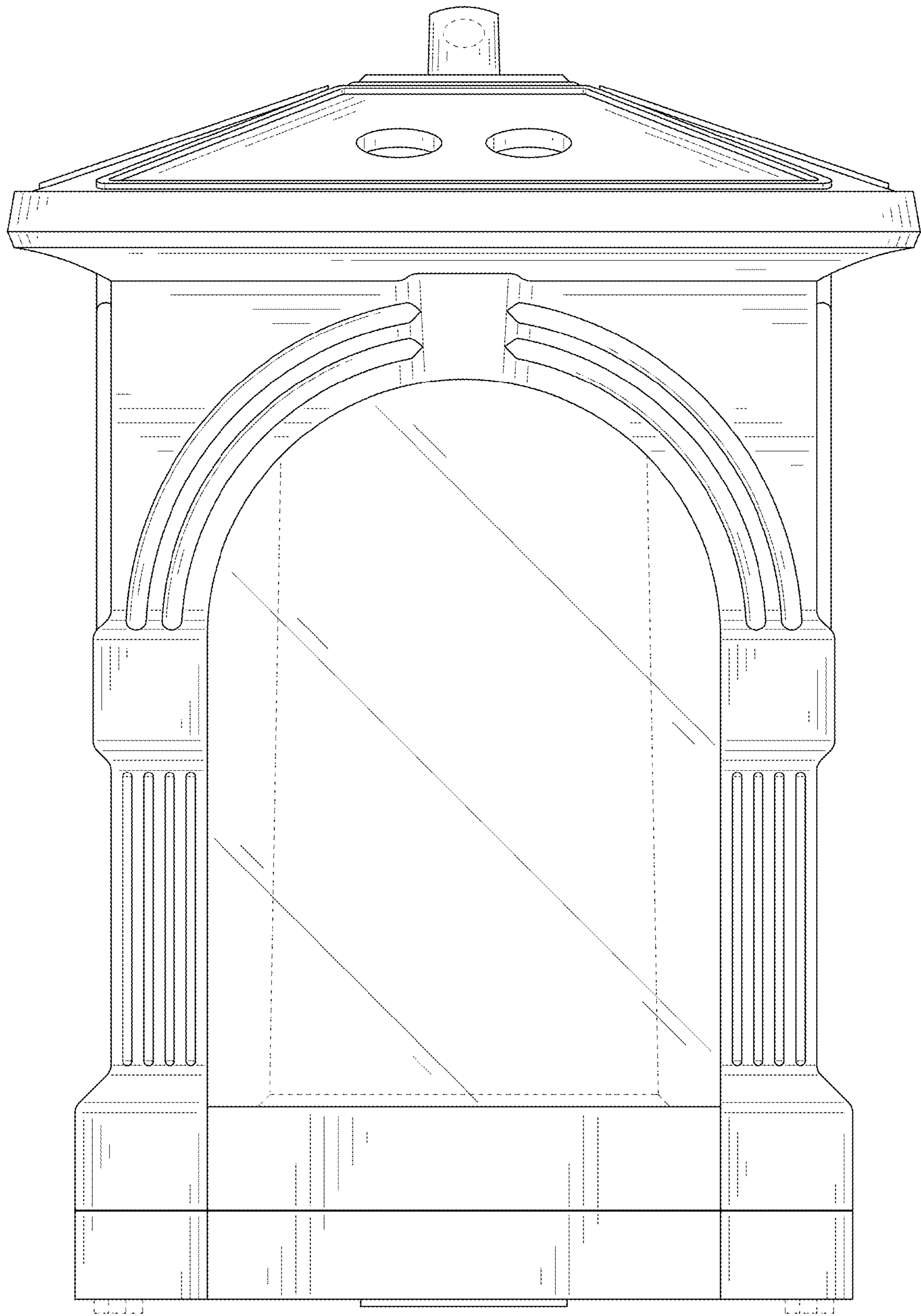


FIG. 6

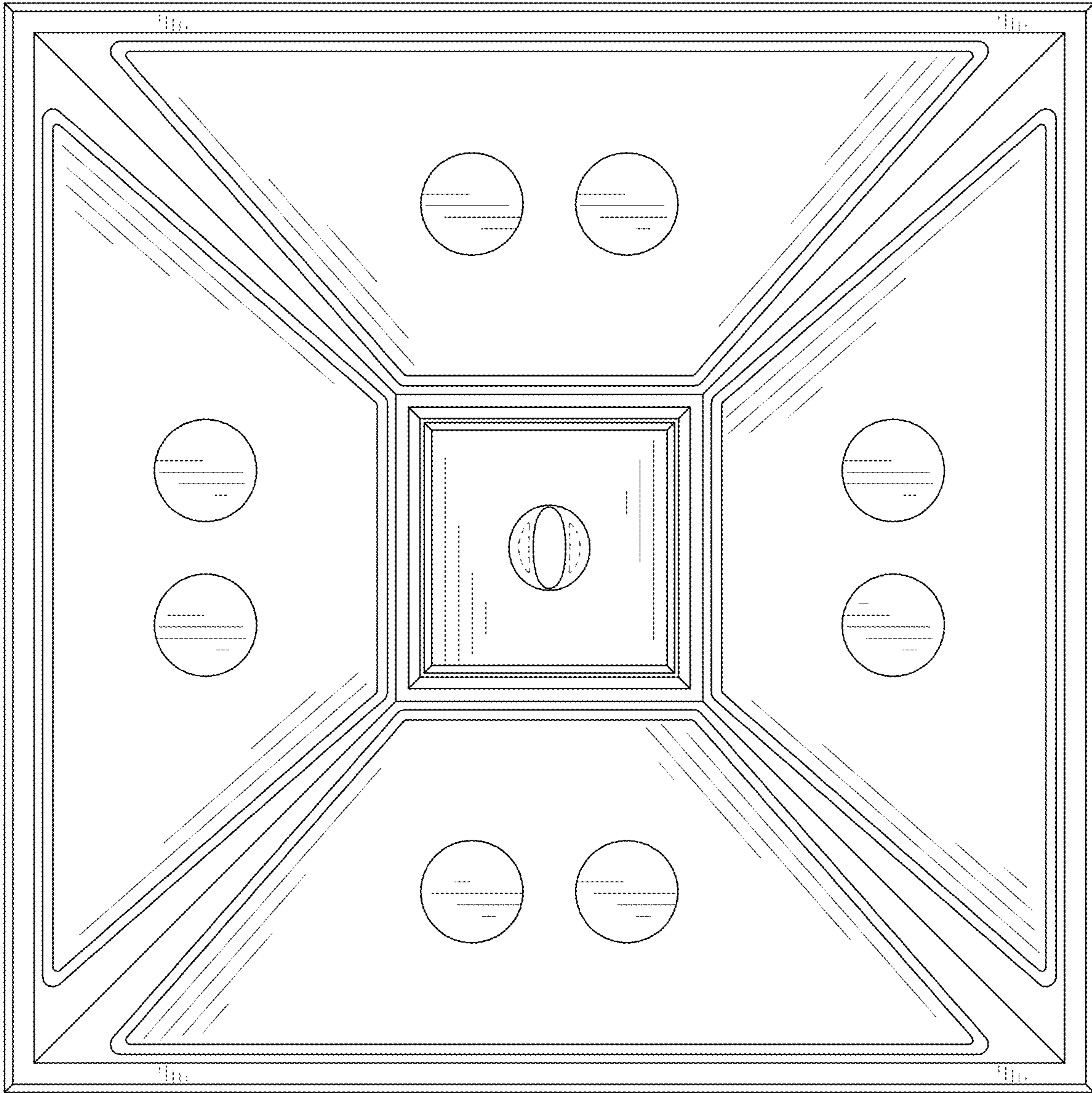


FIG. 7

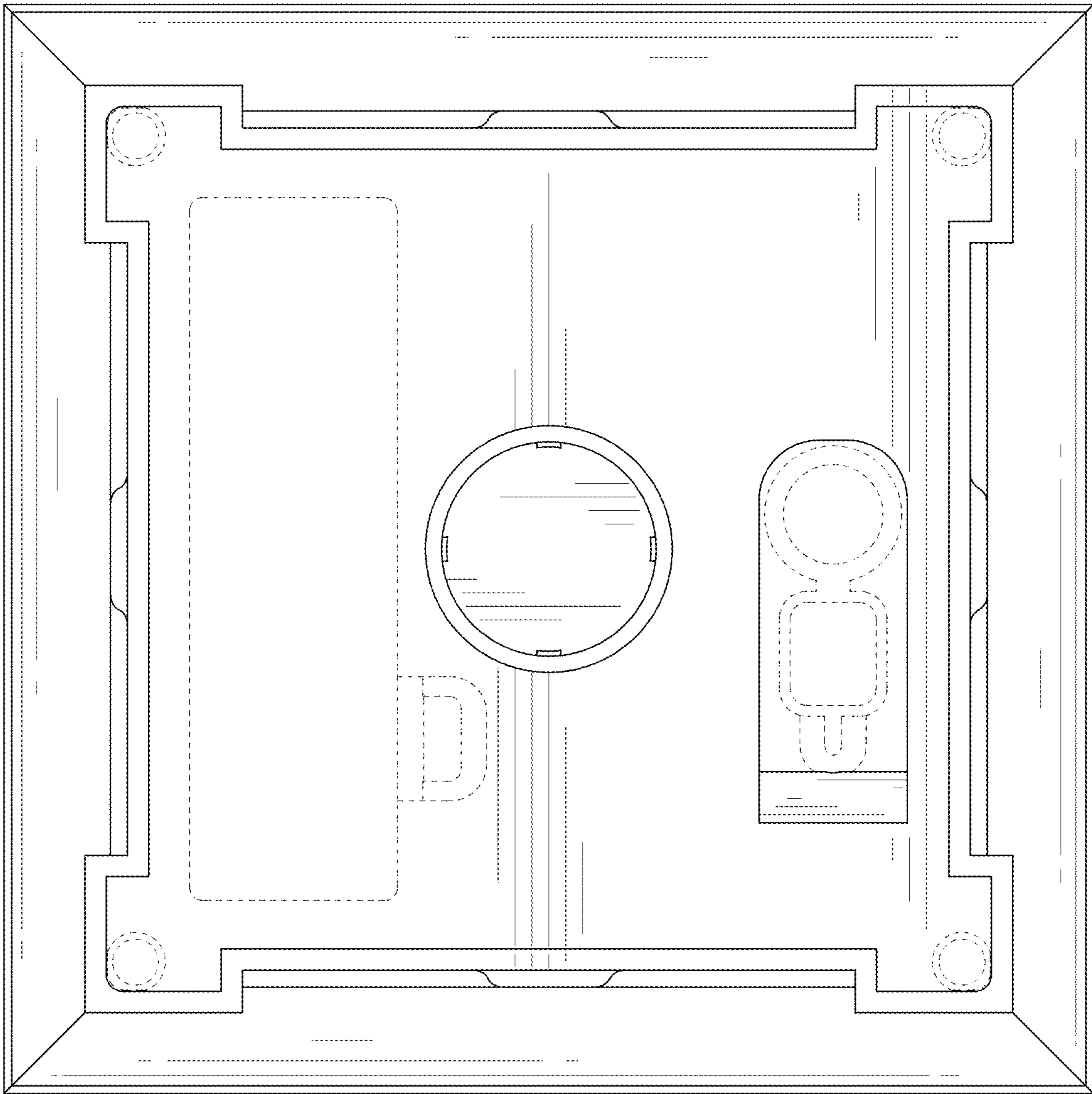


FIG. 8