



US00D912299S

(12) **United States Design Patent** (10) **Patent No.:** **US D912,299 S**
Lin (45) **Date of Patent:** **** Mar. 2, 2021**

(54) **LED LIGHT**

(71) Applicant: **SHENZHEN HOUYI ENERGY-SAVING TECHNOLOGY CO., LTD**, Shenzhen (CN)

(72) Inventor: **Yongqiang Lin**, Zhangzhou (CN)

(73) Assignee: **SHENZHEN HOUYI ENERGY-SAVING TECHNOLOGY CO., LTD**, Shenzhen (CN)

(**) Term: **15 Years**

(21) Appl. No.: **29/743,617**

(22) Filed: **Jul. 22, 2020**

(51) **LOC (13) Cl.** **26-04**

(52) **U.S. Cl.**
USPC **D26/76**

(58) **Field of Classification Search**
USPC D26/72, 74, 76, 78-83, 85, 86, 88, 90, D26/93, 111, 113, 118, 119, 120, 121, D26/122, 138, 139, 140, 141, 142, 152
CPC F21S 2/00; F21S 4/00; F21S 4/003; F21S 4/005; F21S 4/006; F21S 4/007; F21S 4/008; F21S 6/00; F21S 8/00; F21S 8/024; F21S 8/026; F21S 8/031; F21S 8/033; F21S 8/035-037; F21S 8/04; F21S 8/043; F21S 8/063

See application file for complete search history.

(56) **References Cited**

U.S. PATENT DOCUMENTS

D354,360 S * 1/1995 Murata D26/3
D477,093 S * 7/2003 Moriyama D26/3
D506,274 S * 6/2005 Moriyama D26/24
D550,885 S * 9/2007 Crosby D26/76

D556,359 S * 11/2007 Cunius D26/76
D595,444 S * 6/2009 Shimomura D26/76
D603,079 S * 10/2009 Toot D26/76
D610,724 S * 2/2010 Chiang D26/3
D660,472 S * 5/2012 Aguiar D26/3
D709,227 S * 7/2014 Huang D26/31
D711,573 S * 8/2014 Payne D26/42
D754,902 S * 4/2016 Parker D26/76
D796,106 S * 8/2017 Hoffmeister D26/76
D798,473 S 9/2017 Huang et al.
D811,627 S 2/2018 Roys
D824,548 S * 7/2018 Bobel D26/3
D831,257 S * 10/2018 Boulanger D26/76
D840,086 S * 2/2019 Deng D26/76
D851,805 S * 6/2019 Chen D26/76
D872,911 S * 1/2020 Chen D26/24
D878,660 S * 3/2020 Sun D26/76

* cited by examiner

Primary Examiner — *Natasha Vujcic*

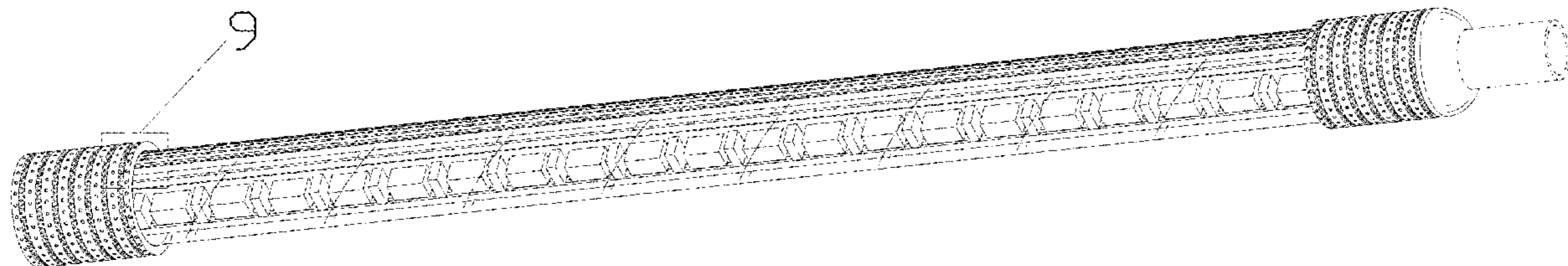
(57) **CLAIM**

The ornamental design for an LED light, as shown and described.

DESCRIPTION

FIG. 1 is a perspective view of an LED light showing my new design;
FIG. 2 is another perspective view thereof;
FIG. 3 is a front elevational view thereof;
FIG. 4 is a rear elevational view thereof;
FIG. 5 is a top plan view thereof;
FIG. 6 is a bottom plan view thereof;
FIG. 7 is a left side elevational view thereof;
FIG. 8 is a right side elevational view thereof; and,
FIG. 9 is an enlarged view of portion 9 shown in FIG. 1.
The broken lines in the drawings depict portions of the LED light that form no part of the claimed design.

1 Claim, 9 Drawing Sheets



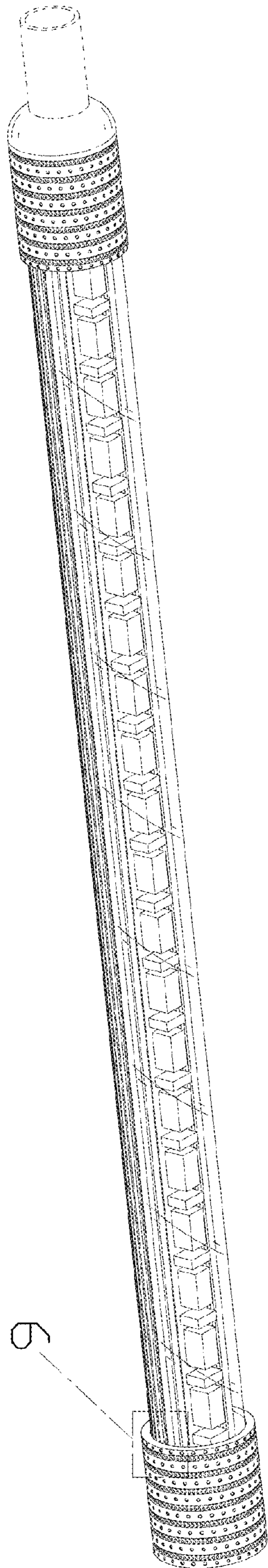


FIG. 1

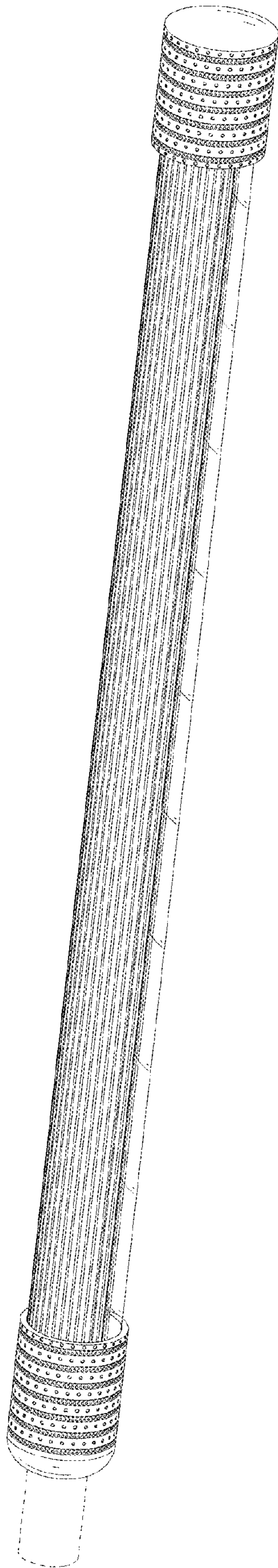


FIG. 2

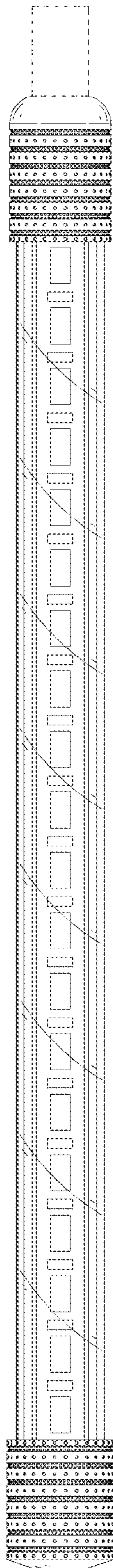


FIG. 3

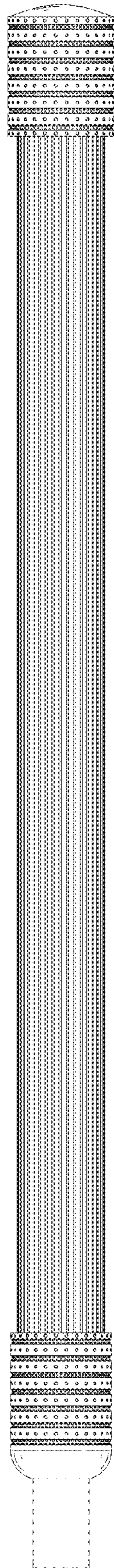


FIG. 4

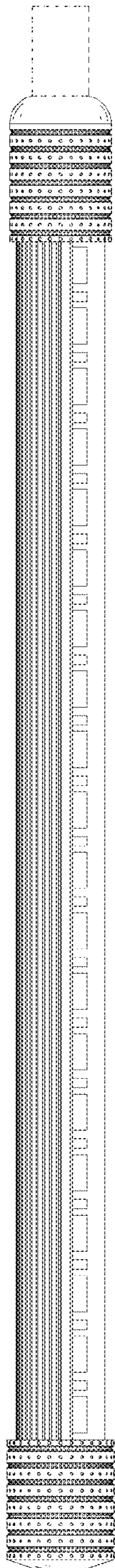


FIG. 5

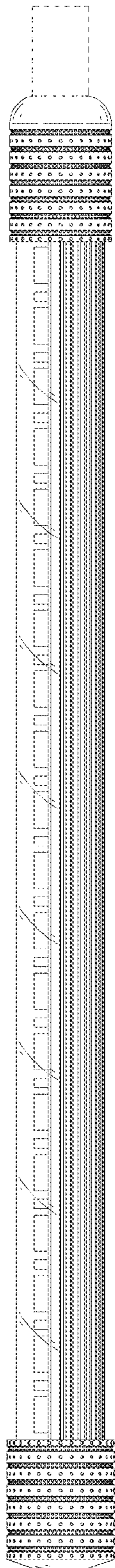


FIG. 6

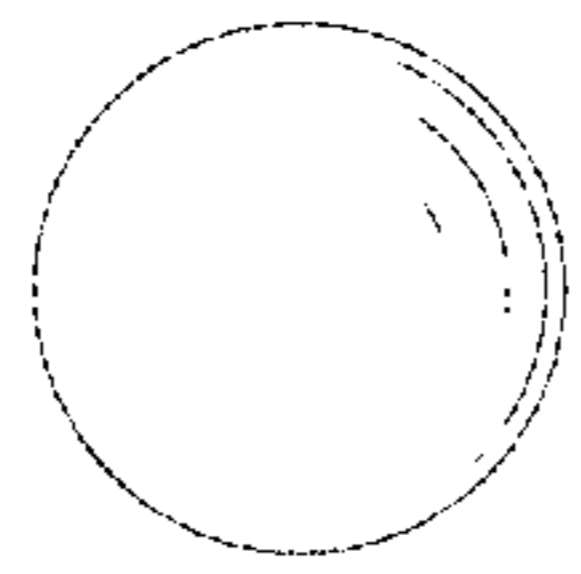


FIG. 7

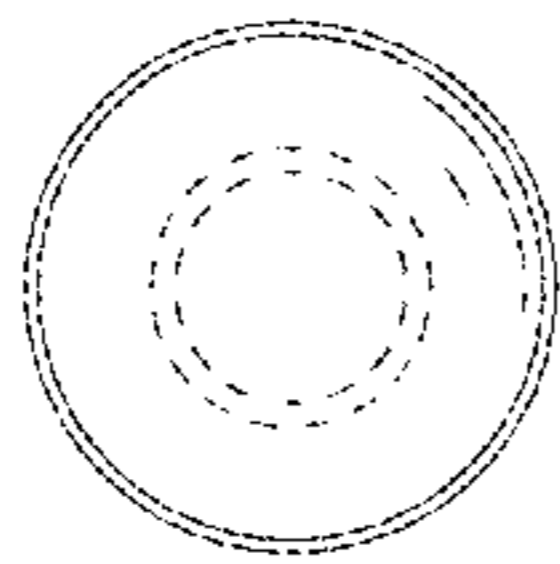


FIG. 8

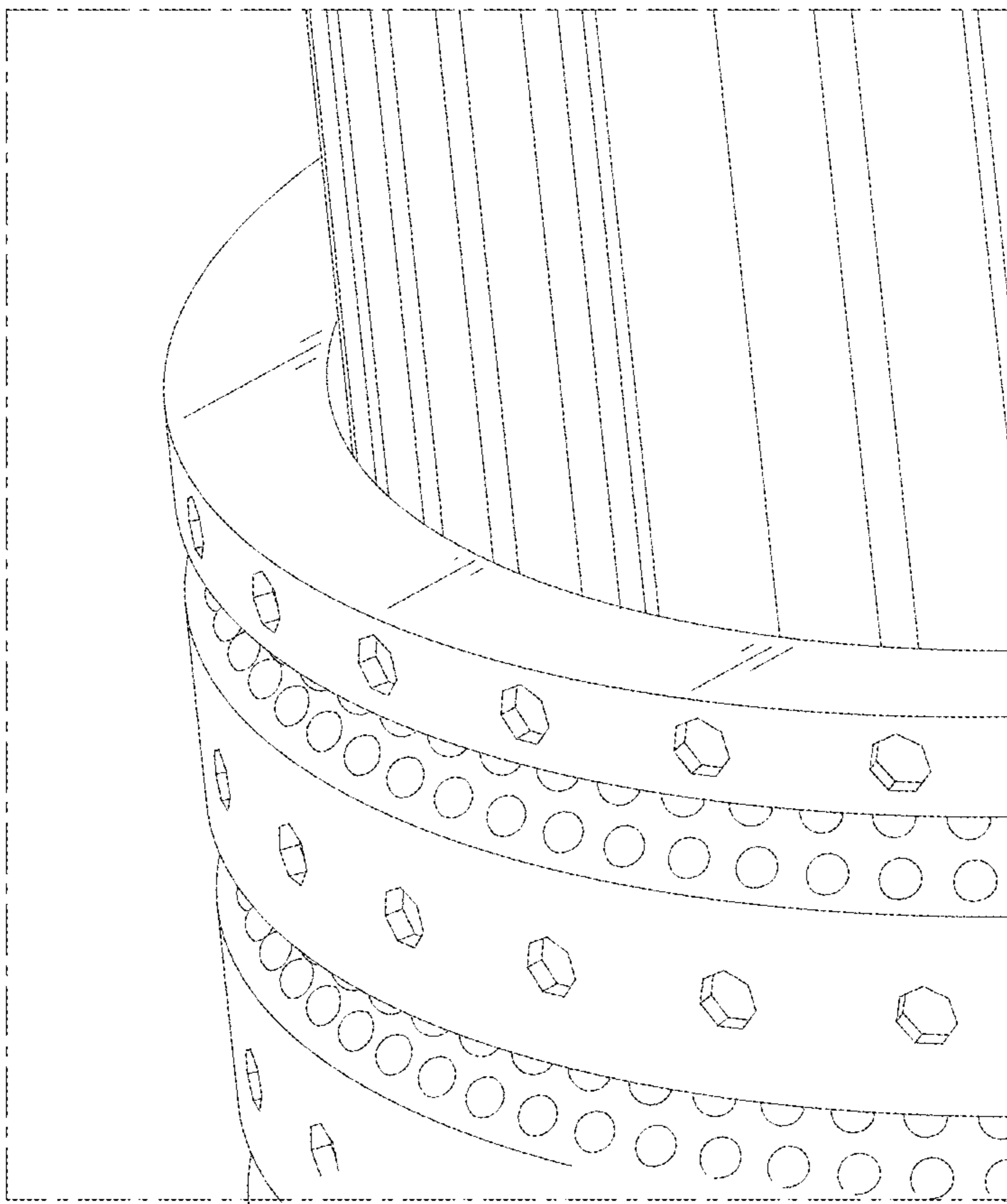


FIG. 9