



US00D912297S

(12) **United States Design Patent**  
**Weber**

(10) **Patent No.:** **US D912,297 S**

(45) **Date of Patent:** **\*\* Mar. 2, 2021**

(54) **LIGHT FIXTURE**

(71) Applicant: **ANTARES ILUMINACIÓN, S.A.**,  
Valencia (ES)

(72) Inventor: **Federico Martinez Weber**, Valencia  
(ES)

(73) Assignee: **ANTARES ILUMINACIÓN, S.A.**,  
Valencia (ES)

(\*\*) Term: **15 Years**

(21) Appl. No.: **29/696,464**

(22) Filed: **Jun. 27, 2019**

(51) **LOC (13) Cl.** ..... **26-05**

(52) **U.S. Cl.**  
USPC ..... **D26/74**

(58) **Field of Classification Search**  
USPC ..... D26/74, 72, 75, 76, 77, 78, 85, 88, 89,  
D26/118, 138, 141, 67, 70; 362/364,  
362/365, 373, 145, 146, 147, 148, 150,  
362/153, 153.1, 294, 296.01, 296.07,  
362/296.08

CPC ..... F21V 29/2262; F21V 7/06; F21V 21/044;  
F21V 21/047; F21V 29/2212; F21V  
29/2225; F21V 29/2256; F21V 29/225;  
F21V 29/2268; F21Y 2111/002; F21S  
8/02; F21S 8/026

See application file for complete search history.

(56) **References Cited**

**U.S. PATENT DOCUMENTS**

D247,756 S \* 4/1978 Nagelkerke ..... D24/210  
D264,254 S \* 5/1982 Heritage ..... D26/63

D397,818 S \* 9/1998 Herst ..... D26/119  
D580,086 S \* 11/2008 Condon ..... D26/72  
D615,236 S \* 5/2010 Beghelli ..... D26/74  
D633,244 S \* 2/2011 Kramer ..... D26/80  
D672,900 S \* 12/2012 Gailly ..... D26/80  
D699,880 S \* 2/2014 Szoke ..... D26/74  
D768,903 S \* 10/2016 Guzzini ..... D26/74  
D788,968 S \* 6/2017 Salomon ..... D26/74  
D808,566 S \* 1/2018 Goetz-Schaefer ..... D26/76  
D853,011 S \* 7/2019 Coirier ..... D26/74  
D858,809 S \* 9/2019 Kang ..... D26/24

\* cited by examiner

*Primary Examiner* — Angela J Lee

(74) *Attorney, Agent, or Firm* — Rothwell, Figg, Ernst &  
Manbeck, P.C.

(57) **CLAIM**

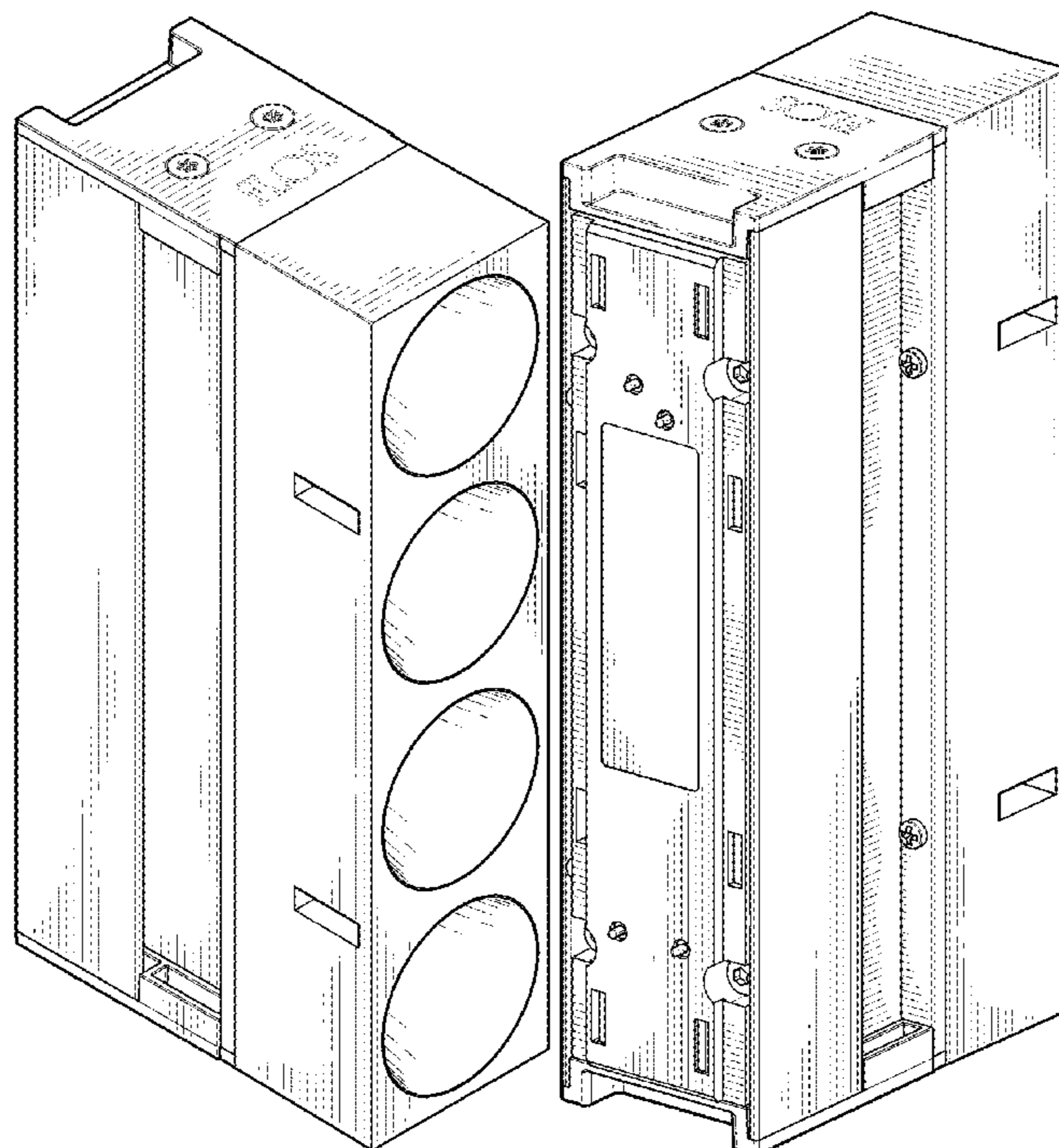
The ornamental design for light fixture, as shown and  
described.

**DESCRIPTION**

FIG. 1 is a perspective view of the top, front, and left side  
of the light fixture;  
FIG. 2 is a front view of the light fixture;  
FIG. 3 is a rear view of the light fixture;  
FIG. 4 is a right side view of the light fixture;  
FIG. 5 is a left side view of the light fixture;  
FIG. 6 is a top view of the light fixture;  
FIG. 7 is a bottom view of the light fixture; and,  
FIG. 8 is a perspective view of the top, rear, and left side of  
the light fixture.

The portions of the light fixture shown in broken lines form  
no part of the claimed design.

**1 Claim, 5 Drawing Sheets**



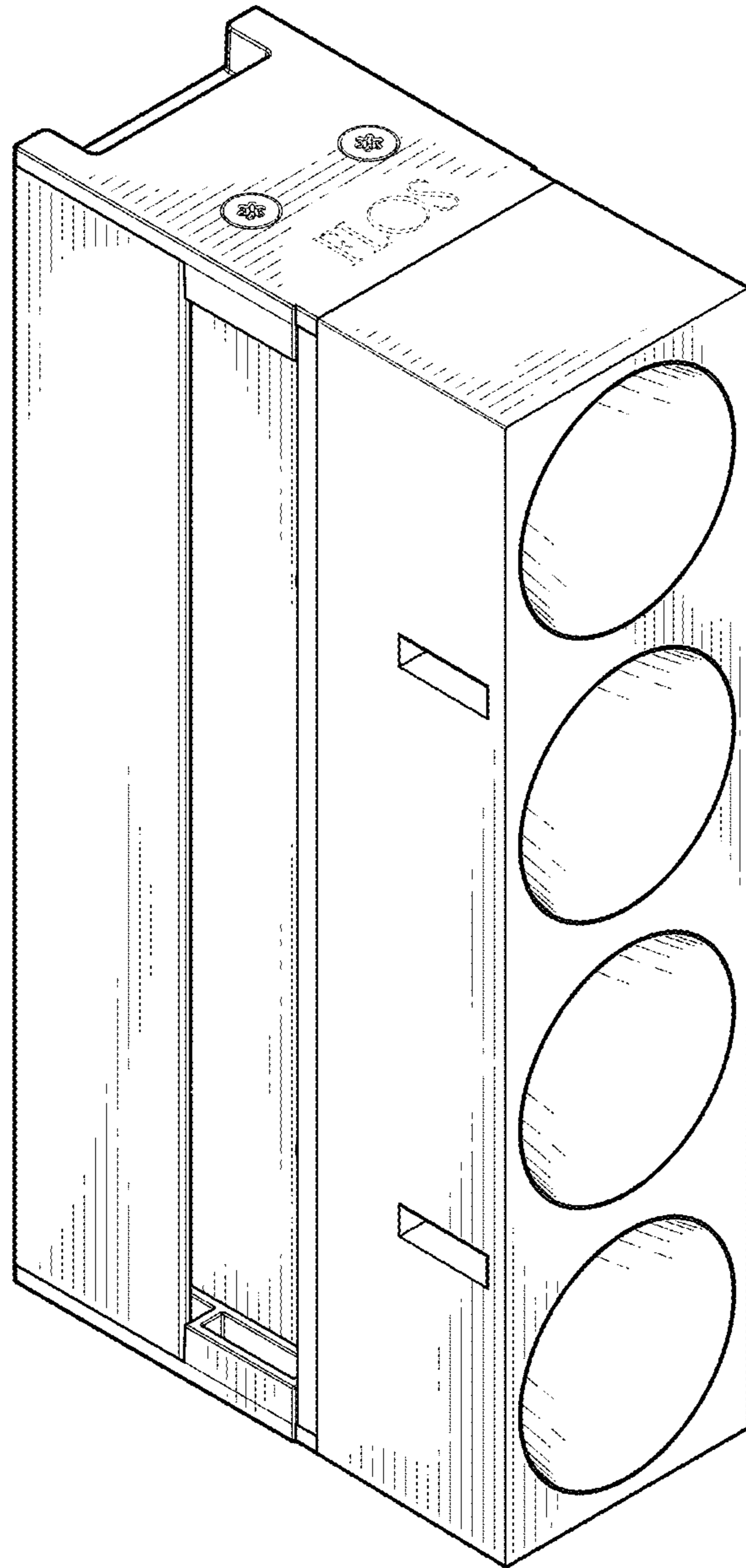


FIG. 1

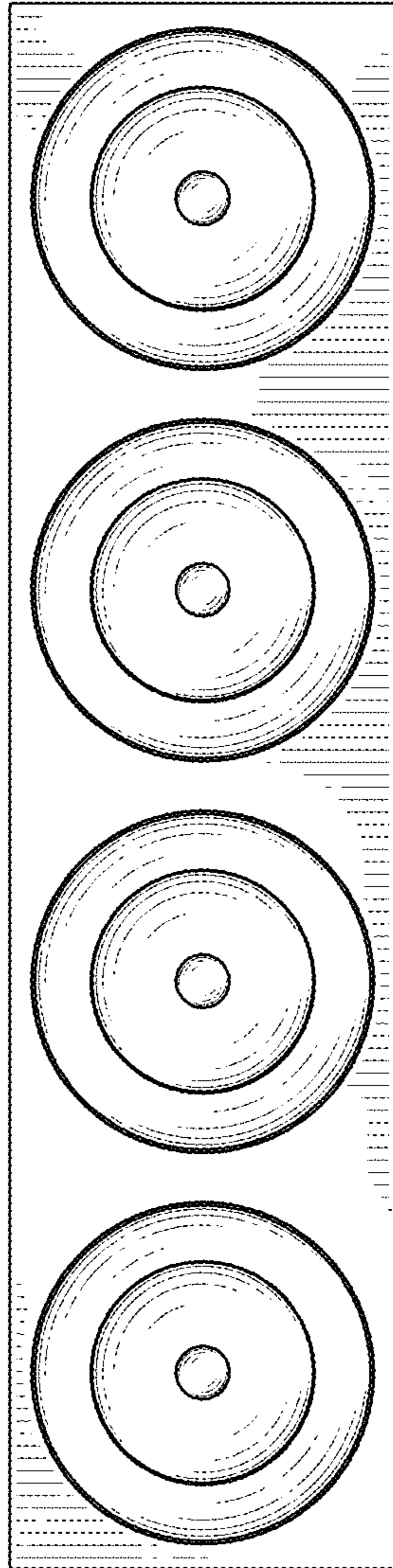


FIG. 2

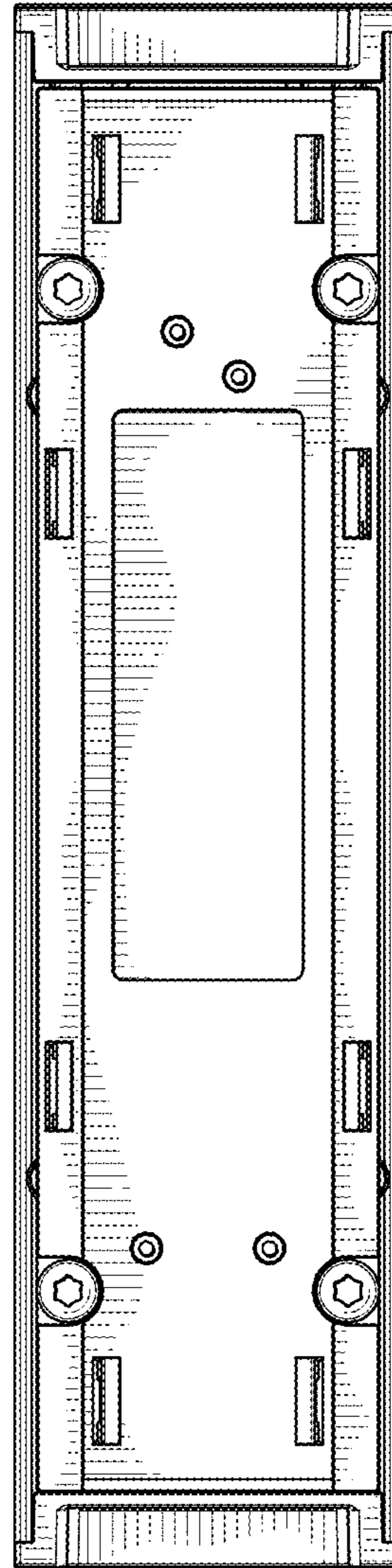


FIG. 3

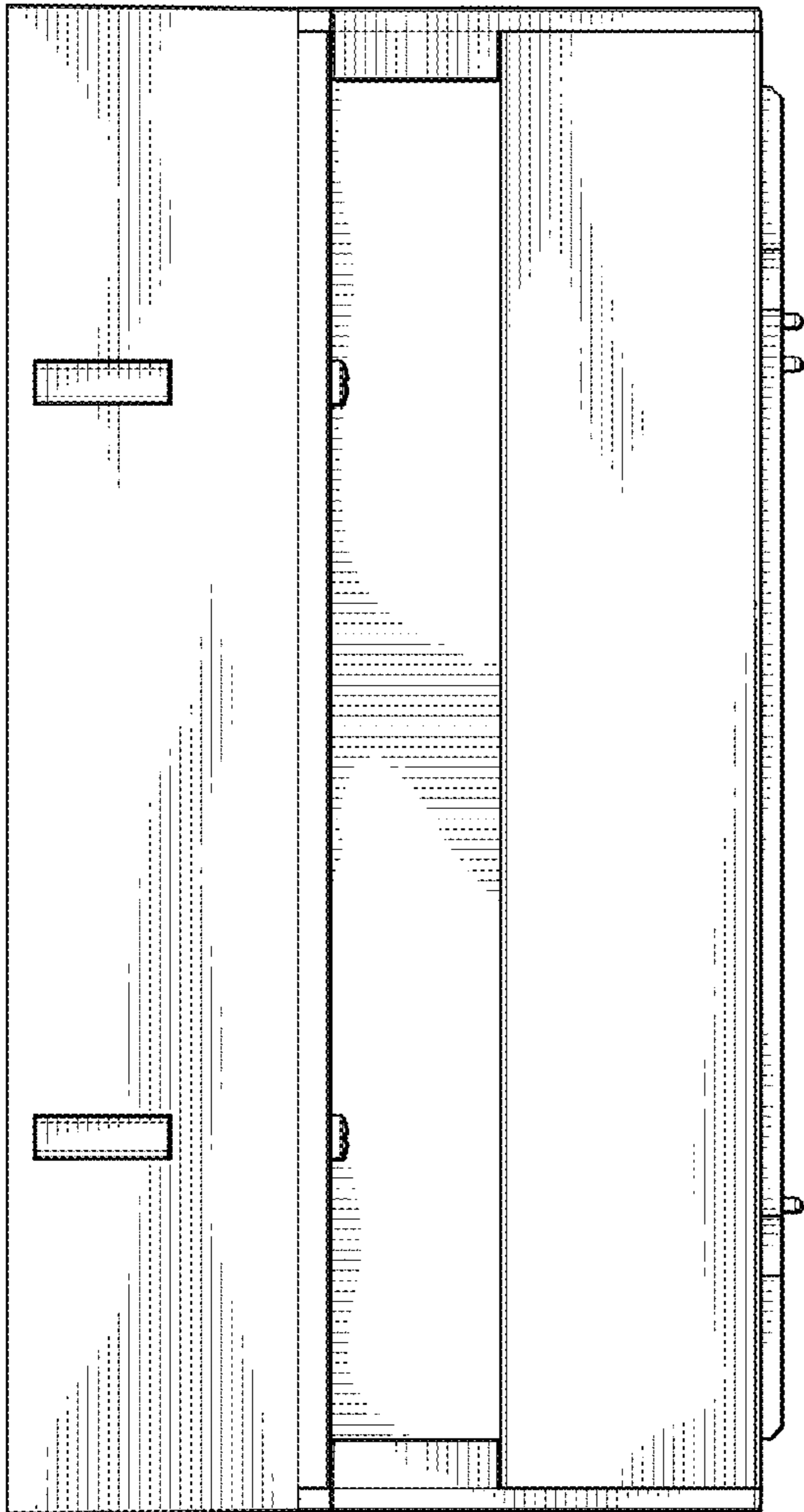


FIG. 4

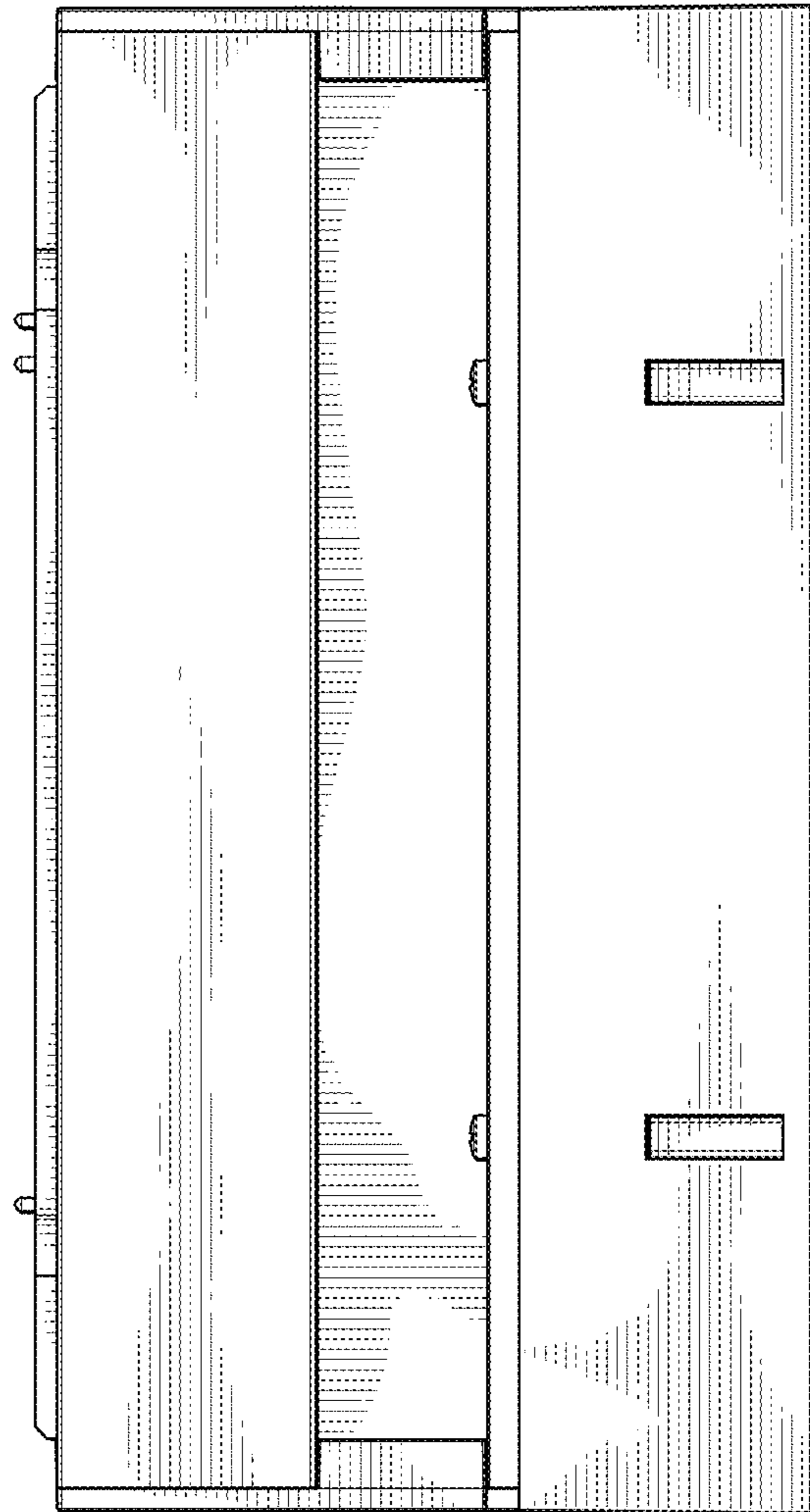


FIG. 5

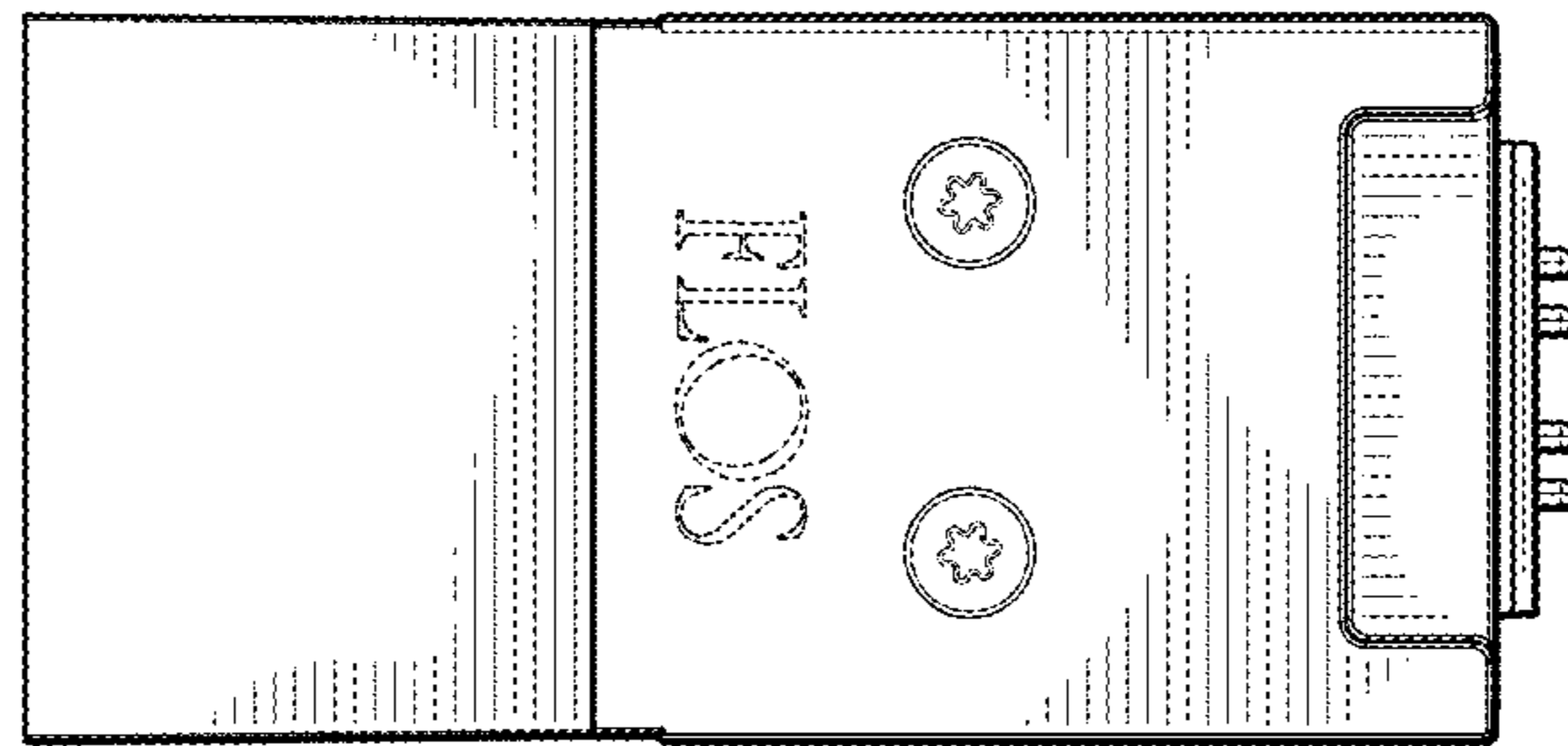


FIG. 6

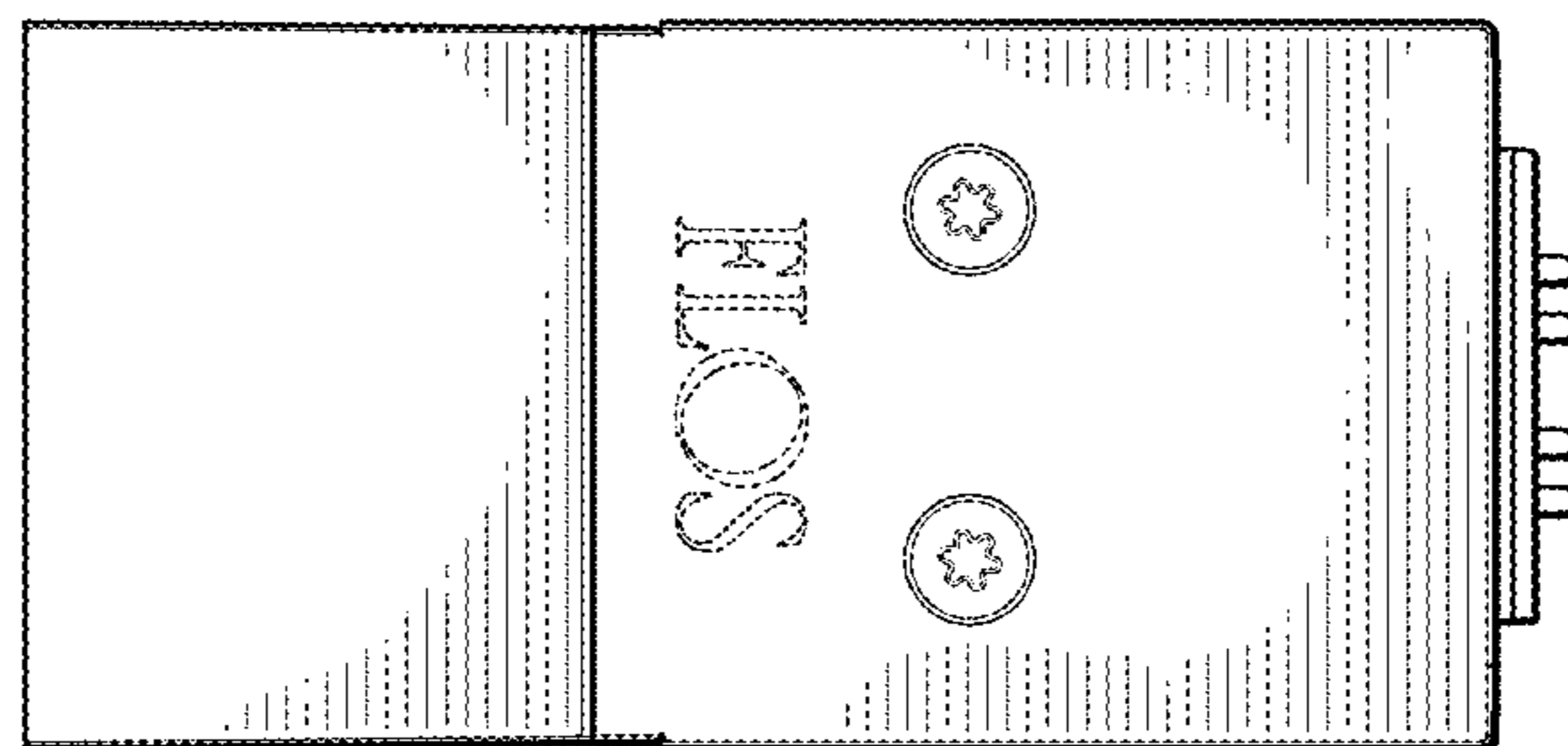


FIG. 7

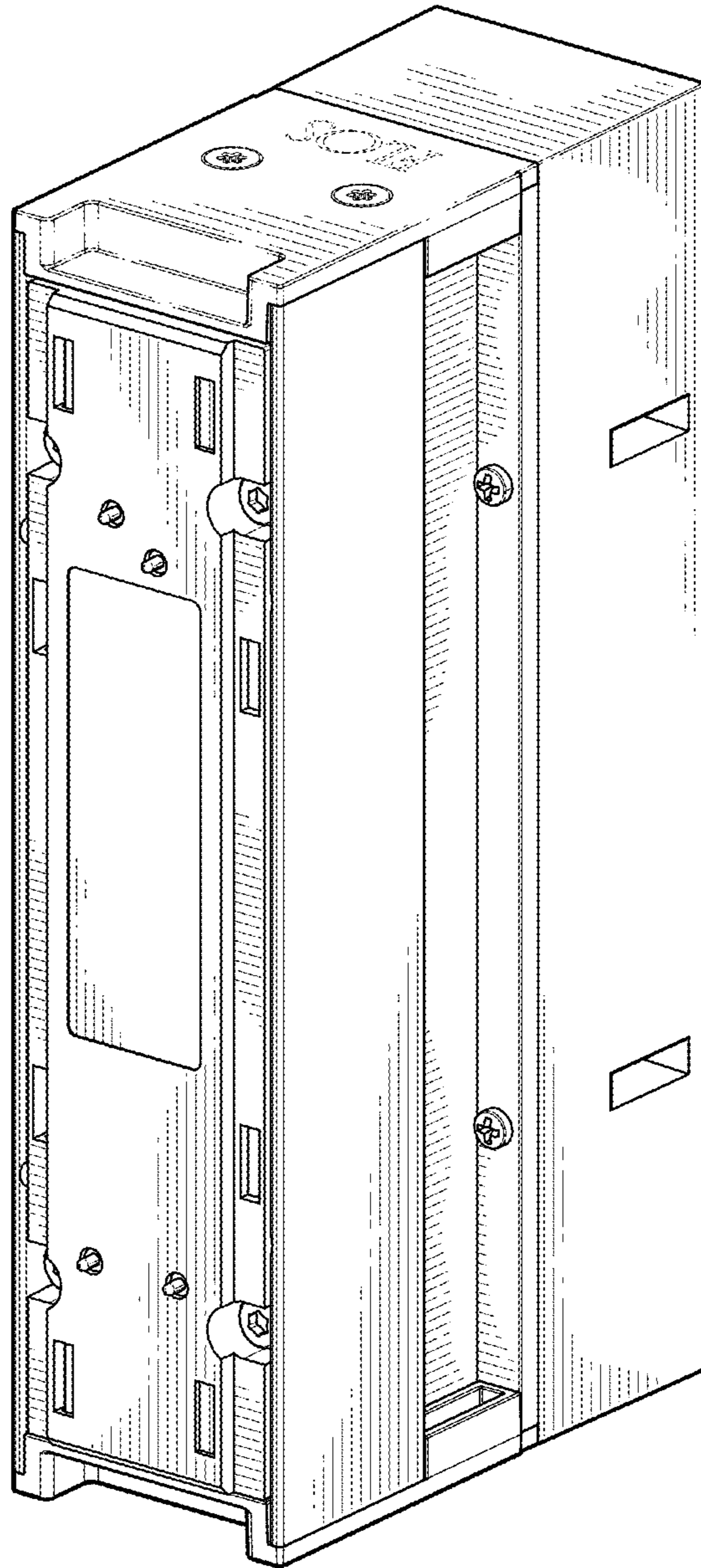


FIG. 8