



US00D912295S

(12) **United States Design Patent** (10) **Patent No.:** **US D912,295 S**  
**Sayers et al.** (45) **Date of Patent:** **\*\* Mar. 2, 2021**

(54) **LUMINAIRE WITH LOUVERED WALL WASH APPARATUS**

D383,564 S 9/1997 Lecluze  
5,662,403 A 9/1997 Akashi  
D417,027 S \* 11/1999 Cece ..... D26/29  
6,417,966 B1 7/2002 Moshrefzadeh  
D473,966 S 4/2003 Lecluze  
6,588,922 B1 7/2003 DeCicco  
D488,251 S 4/2004 Benghazi  
D509,016 S \* 8/2005 Benghozi ..... D26/74  
D509,617 S \* 9/2005 Benghozi ..... D26/74  
7,397,984 B2 7/2008 Kuo

(71) Applicant: **SIGNIFY HOLDING B.V.**, Eindhoven (NL)

(72) Inventors: **Wilston Nigel Christopher Sayers**, Atlanta, GA (US); **Kevin Roy Harpenau**, Atlanta, GA (US)

(73) Assignee: **SIGNIFY HOLDING B.V.**, Eindhoven (NL)

(\*\*) Term: **15 Years**

(21) Appl. No.: **29/670,728**

(22) Filed: **Nov. 19, 2018**

**Related U.S. Application Data**

(62) Division of application No. 29/575,255, filed on Aug. 23, 2016, now Pat. No. Des. 834,234.

(51) **LOC (13) Cl.** ..... **26-05**

(52) **U.S. Cl.**  
USPC ..... **D26/74**

(58) **Field of Classification Search**  
USPC ..... D26/74, 72, 75, 76, 77, 78, 85, 88, 89, D26/118, 138, 141; 362/364, 365, 373, 362/145, 146, 147, 148, 150, 153, 153.1, 362/294, 296.01, 296.07, 296.08  
CPC ..... F21V 29/2262; F21V 7/06; F21V 21/044; F21V 21/047; F21V 29/2212; F21V 29/2225; F21V 29/2256; F21V 29/225; F21V 29/2268; F21Y 2111/002; F21S 8/02; F21S 8/026

See application file for complete search history.

(56) **References Cited**

**U.S. PATENT DOCUMENTS**

4,384,318 A 5/1983 Reibling  
5,483,428 A 1/1996 Poppenheimer

**FOREIGN PATENT DOCUMENTS**

EM 003763747-0002 \* 4/2017

**OTHER PUBLICATIONS**

No Pest Recessed Light Cover Replacement Kit, available at <https://www.amazon.com/Recessed-Light-Replacement-Lighting-Fixtures/dp/B00FY5KC4A?th=1>, Jun. 17, 2015, viewed on Oct. 6, 2020 (Year: 2015).\*

*Primary Examiner* — Angela J Lee

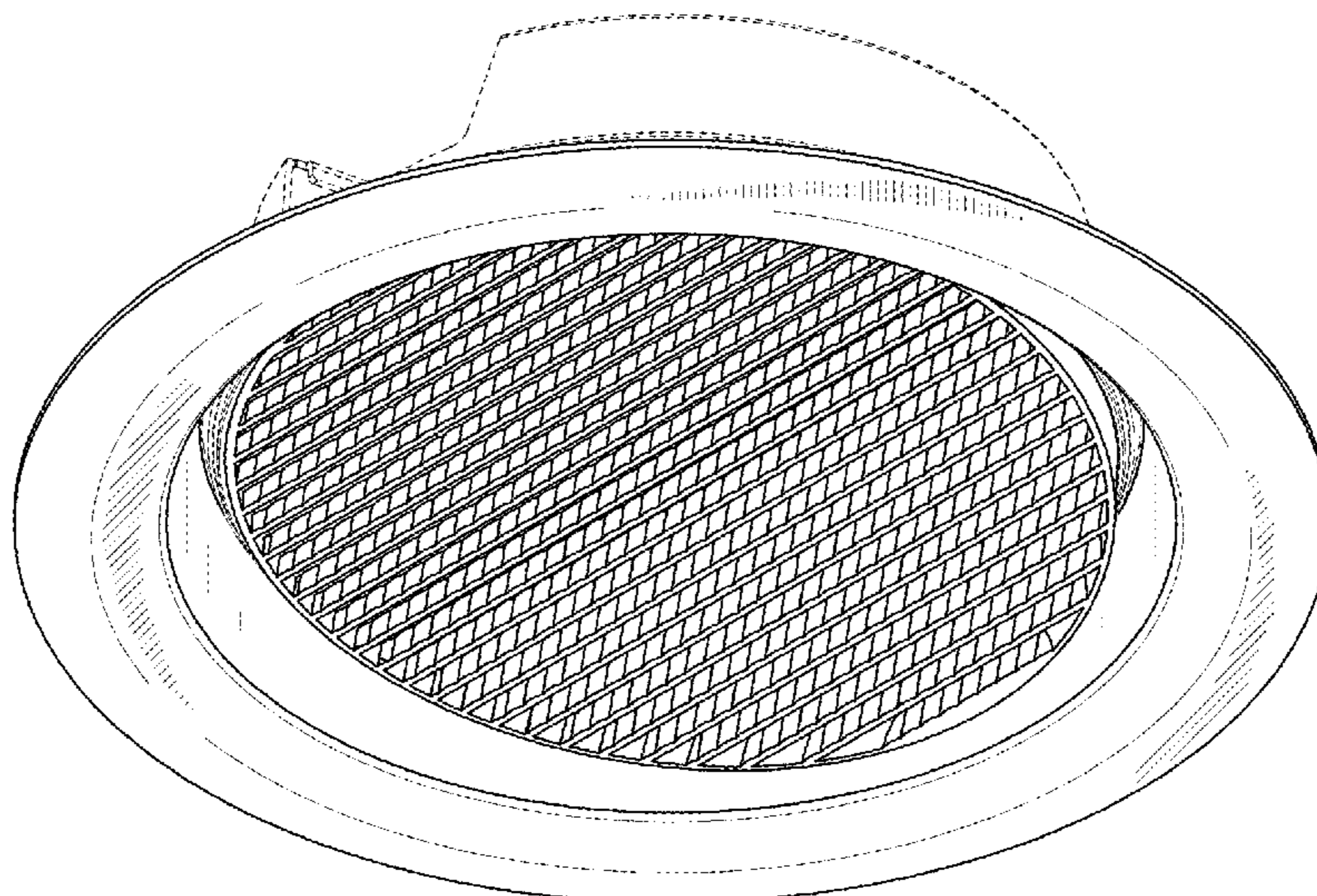
(57) **CLAIM**

The ornamental design for a luminaire with louvered wall wash apparatus, as shown and described.

**DESCRIPTION**

FIG. 1 is a bottom perspective view of a luminaire with louvered wall wash apparatus, showing our new design; FIG. 2 is a top perspective view thereof; FIG. 3 is a top plan view thereof; FIG. 4 is a bottom plan view thereof; FIG. 5 is a left side view thereof; FIG. 6 is a right side view thereof; FIG. 7 is a front view thereof; and, FIG. 8 is a rear view thereof. The broken lines shown in the figures illustrate portions of the luminaire with louvered wall wash apparatus that form no part of the claimed design.

**1 Claim, 5 Drawing Sheets**



(56)

**References Cited**

U.S. PATENT DOCUMENTS

|              |     |         |               |               |
|--------------|-----|---------|---------------|---------------|
| D595,452     | S   | 6/2009  | Khang         |               |
| 7,568,818    | B2  | 8/2009  | Pfund         |               |
| D615,239     | S   | 5/2010  | Rashidi       |               |
| D636,925     | S   | 4/2011  | Kawagoe       |               |
| D644,781     | S   | 9/2011  | Kawagoe       |               |
| 8,201,956    | B2  | 6/2012  | Yeh           |               |
| D670,855     | S   | 11/2012 | Turner        |               |
| D671,668     | S   | 11/2012 | Rowlette, Jr. |               |
| D724,775     | S * | 3/2015  | Van Dijk      | ..... D26/74  |
| 9,222,651    | B1  | 12/2015 | Vlad          |               |
| D747,540     | S * | 1/2016  | Serwacki      | ..... D26/138 |
| D777,967     | S * | 1/2017  | Redfern       | ..... D26/74  |
| D834,234     | S * | 11/2018 | Sayers        | ..... D26/74  |
| D855,861     | S * | 8/2019  | Perrone       | ..... D26/74  |
| 2004/0240211 | A1  | 12/2004 | Rodgers       |               |
| 2007/0121325 | A1  | 5/2007  | Barber        |               |
| 2009/0052169 | A1  | 2/2009  | Kosters       |               |
| 2009/0135608 | A1  | 5/2009  | Sell          |               |

\* cited by examiner

FIG. 1

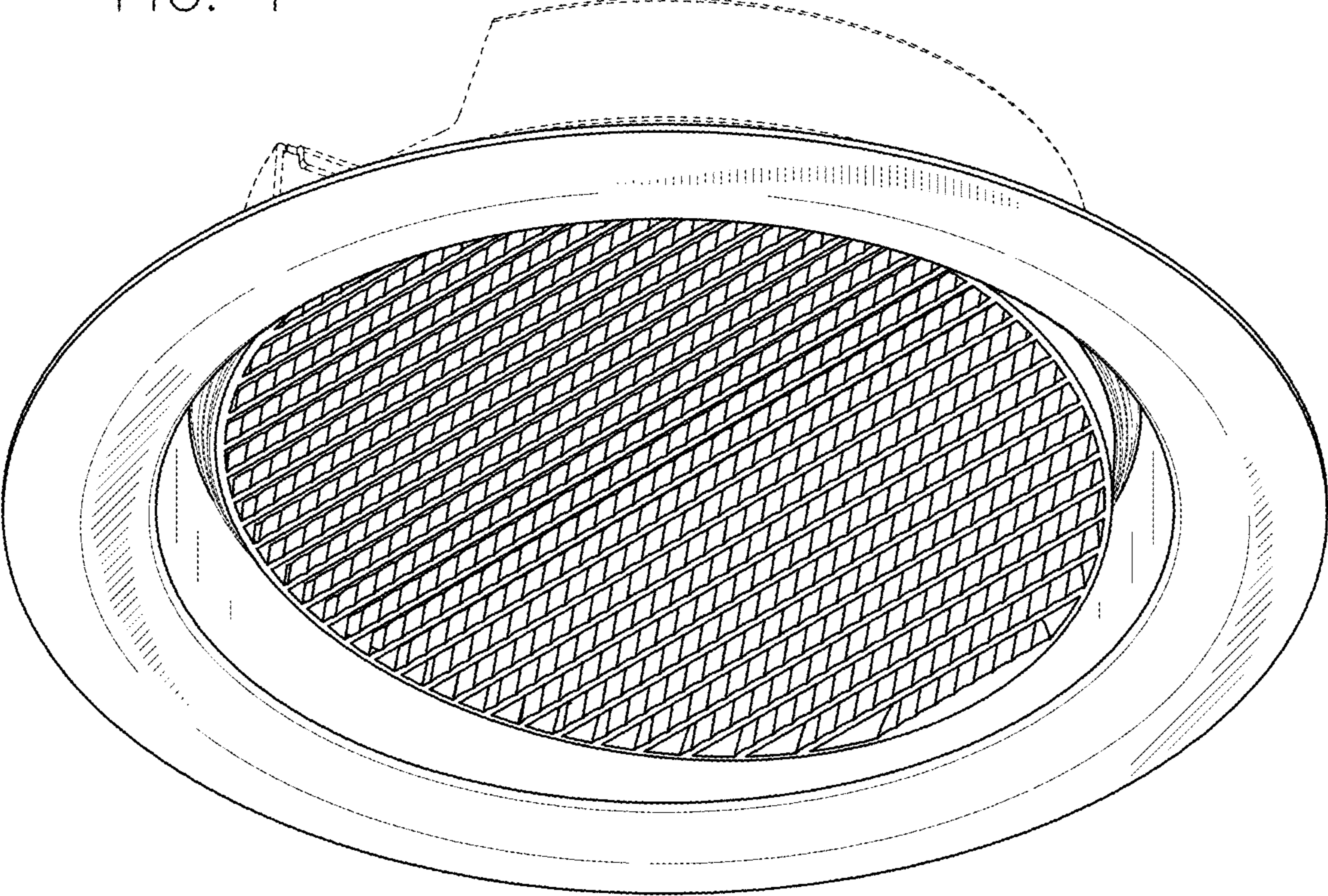


FIG. 2

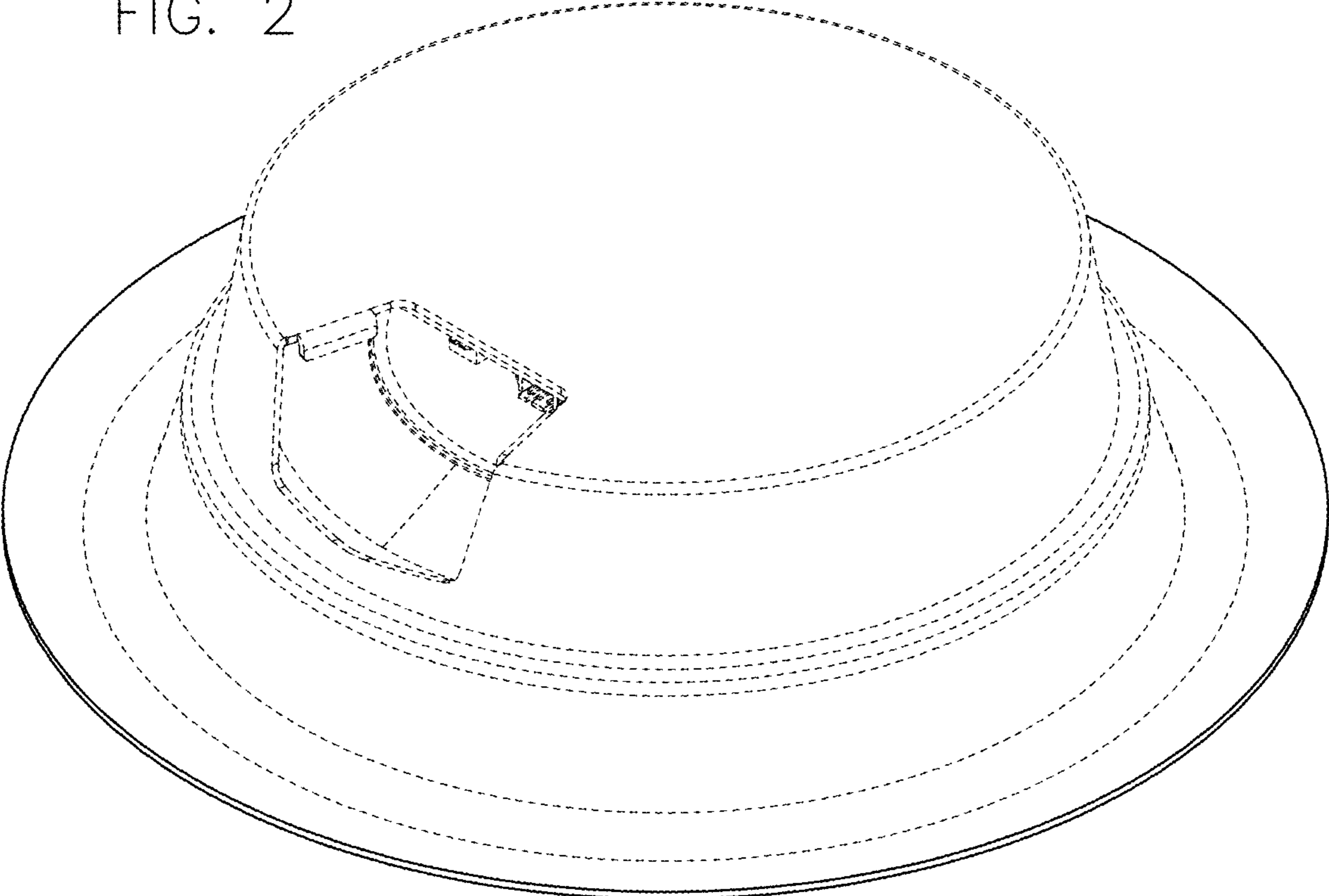


FIG. 3

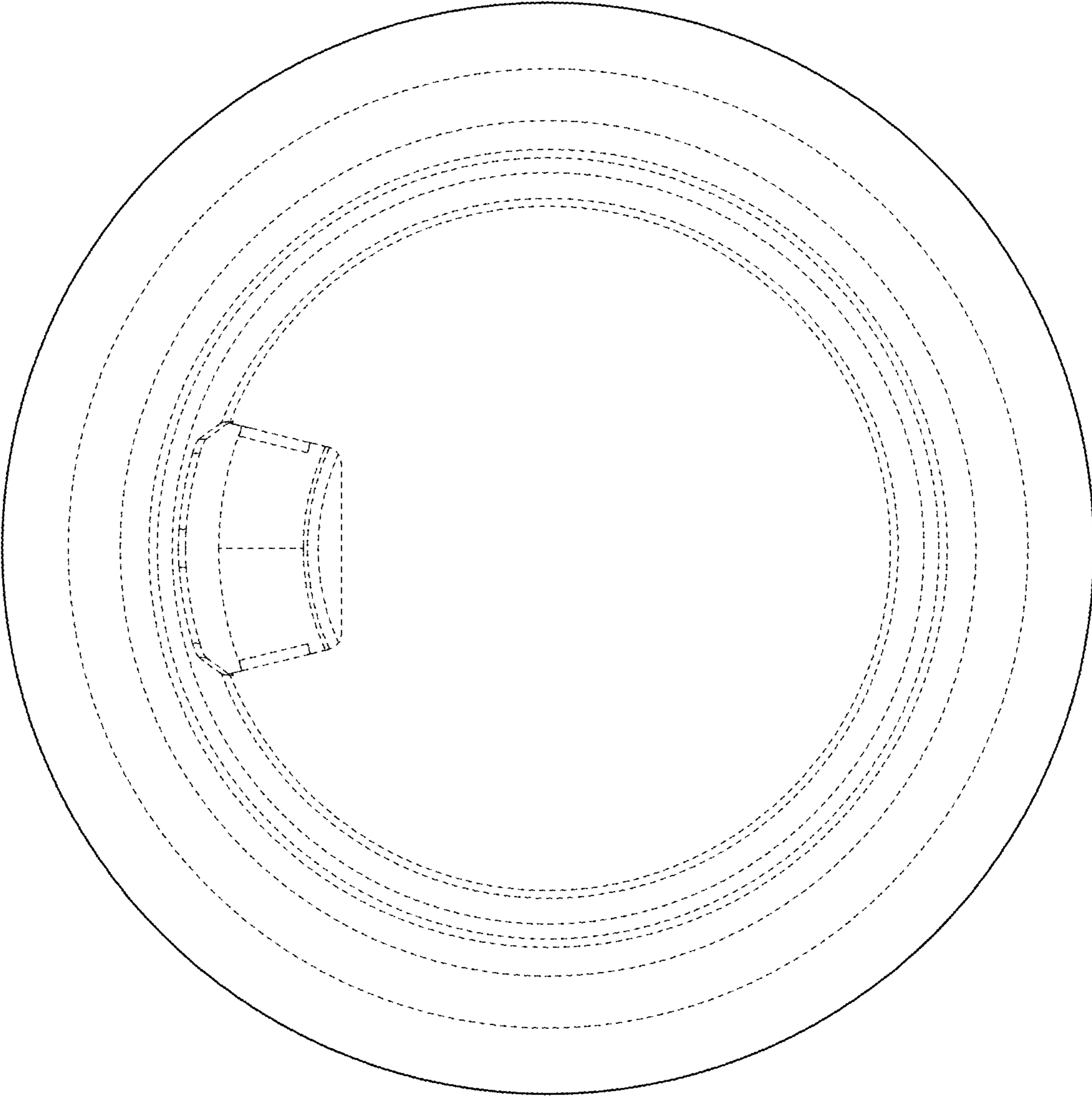


FIG. 4

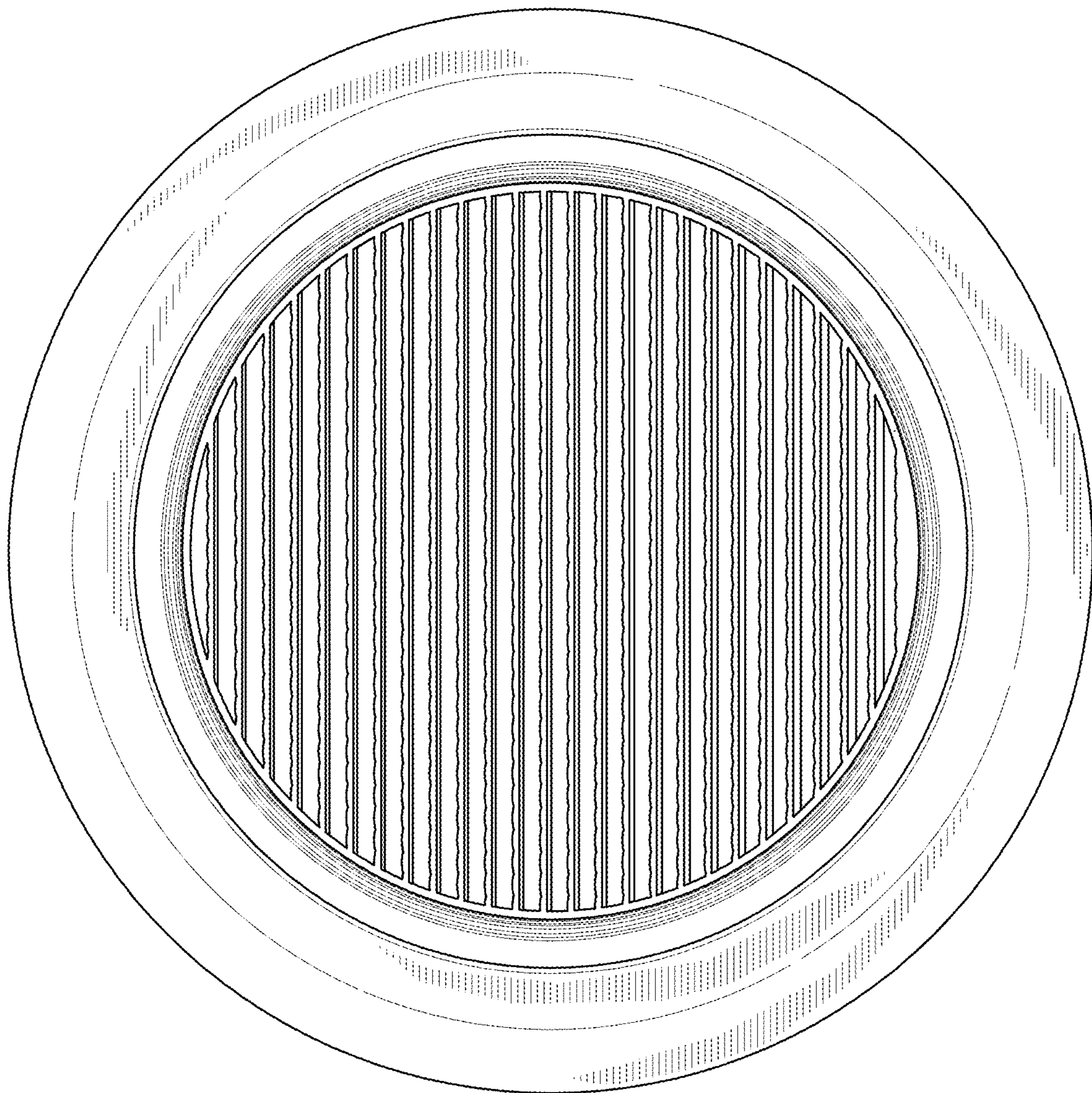


FIG. 5

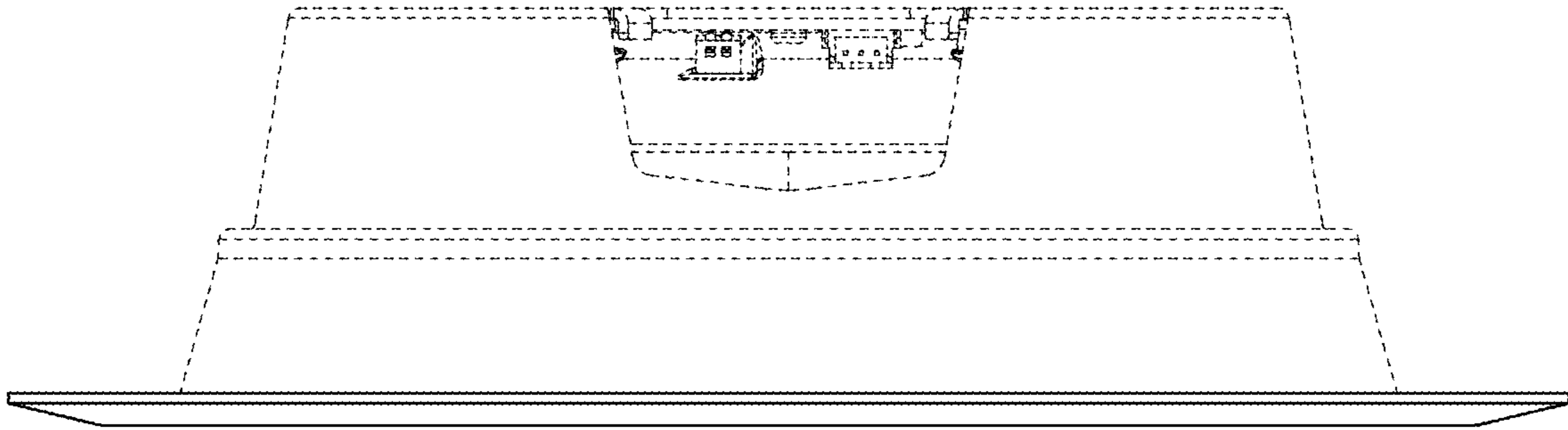


FIG. 6

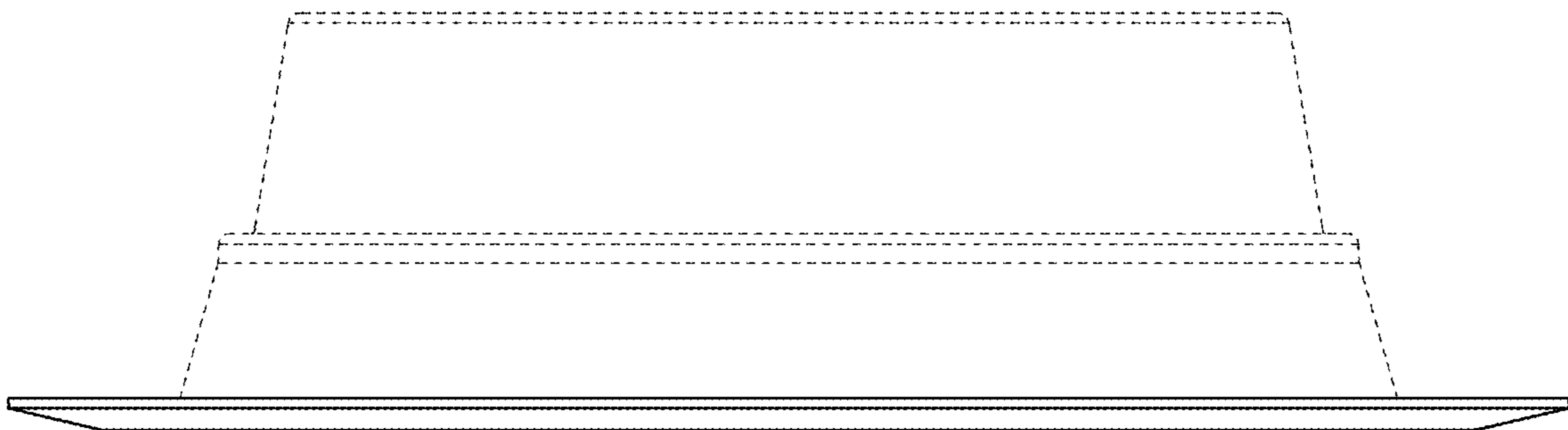


FIG. 7

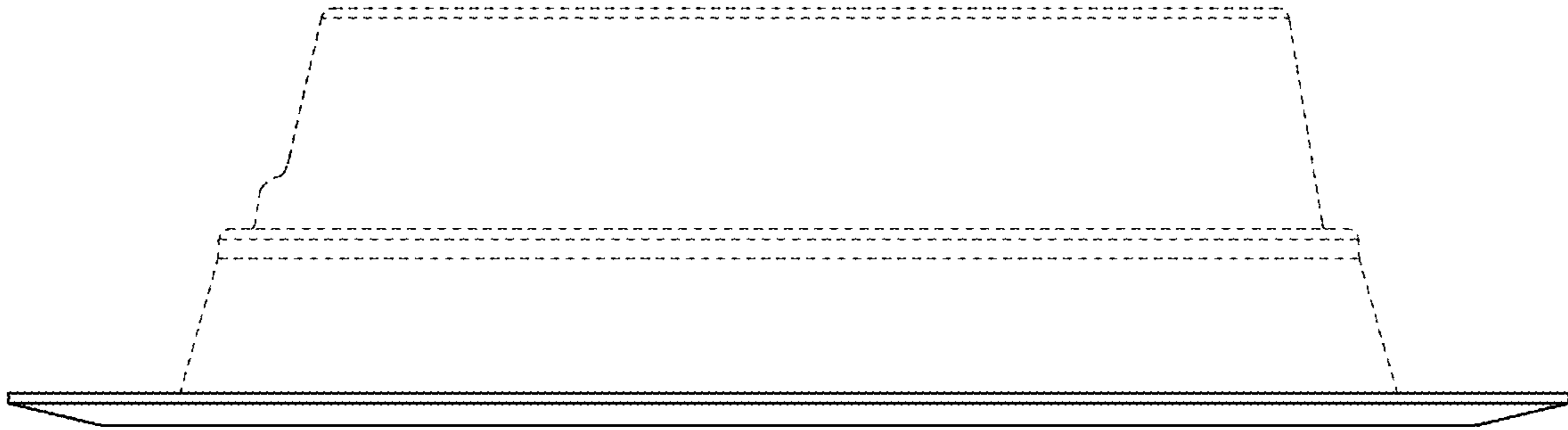


FIG. 8

