



US00D912291S

(12) **United States Design Patent** (10) **Patent No.:** **US D912,291 S**
Subramanian et al. (45) **Date of Patent:** **** Mar. 2, 2021**

(54) **LIGHTING UNITS**

CPC F21V 21/14; F21V 15/01; F21V 14/02;
F21V 21/30; F21V 21/00; F21V 14/00;
F21S 8/00; F21S 8/003; F21S 8/043;
F21Y 2105/001; F04B 39/042
See application file for complete search history.

(71) Applicant: **Eaton Intelligent Power Limited,**
Dublin (IE)

(72) Inventors: **Parthiban Subramanian,** Soest (DE);
Jens Burmeister, Eberbach (DE)

(73) Assignee: **Eaton Intelligent Power Limited,**
Dublin (IE)

(**) Term: **15 Years**

(21) Appl. No.: **29/712,737**

(22) Filed: **Nov. 11, 2019**

Related U.S. Application Data

(62) Division of application No. 29/684,840, filed on Mar. 25, 2019, now Pat. No. Des. 866,837, which is a division of application No. 29/612,017, filed on Jul. 27, 2017, now Pat. No. Des. 844,209.

Foreign Application Priority Data

Jan. 27, 2017 (EM) 003718527-0001
Jan. 27, 2017 (EM) 003718527-0002
Jan. 27, 2017 (EM) 003718527-0003
Jan. 27, 2017 (EM) 003718527-0004

(51) **LOC (13) Cl.** **26-03**

(52) **U.S. Cl.**
USPC **D26/63**

(58) **Field of Classification Search**
USPC D26/1, 24, 61, 63, 65, 85, 92, 138

(56) **References Cited**

U.S. PATENT DOCUMENTS

D799,729 S * 10/2017 Zhong D26/63
D819,857 S * 6/2018 Kotovsky D26/63
D821,013 S * 6/2018 Mizobe D26/63

* cited by examiner

Primary Examiner — Brian N. Vinson

(74) *Attorney, Agent, or Firm* — Stinson LLP

(57) **CLAIM**

The ornamental design for lighting units, as shown and described.

DESCRIPTION

FIG. 1 is a perspective of a lighting unit; and, FIG. 2 is a top plan view of the lighting unit of FIG. 1, the bottom, front, rear, left, and right views forming on part of the claimed design.

The drawings are executed in grayscale.

The portions shown in broken lines form no part of the claimed design.

1 Claim, 2 Drawing Sheets

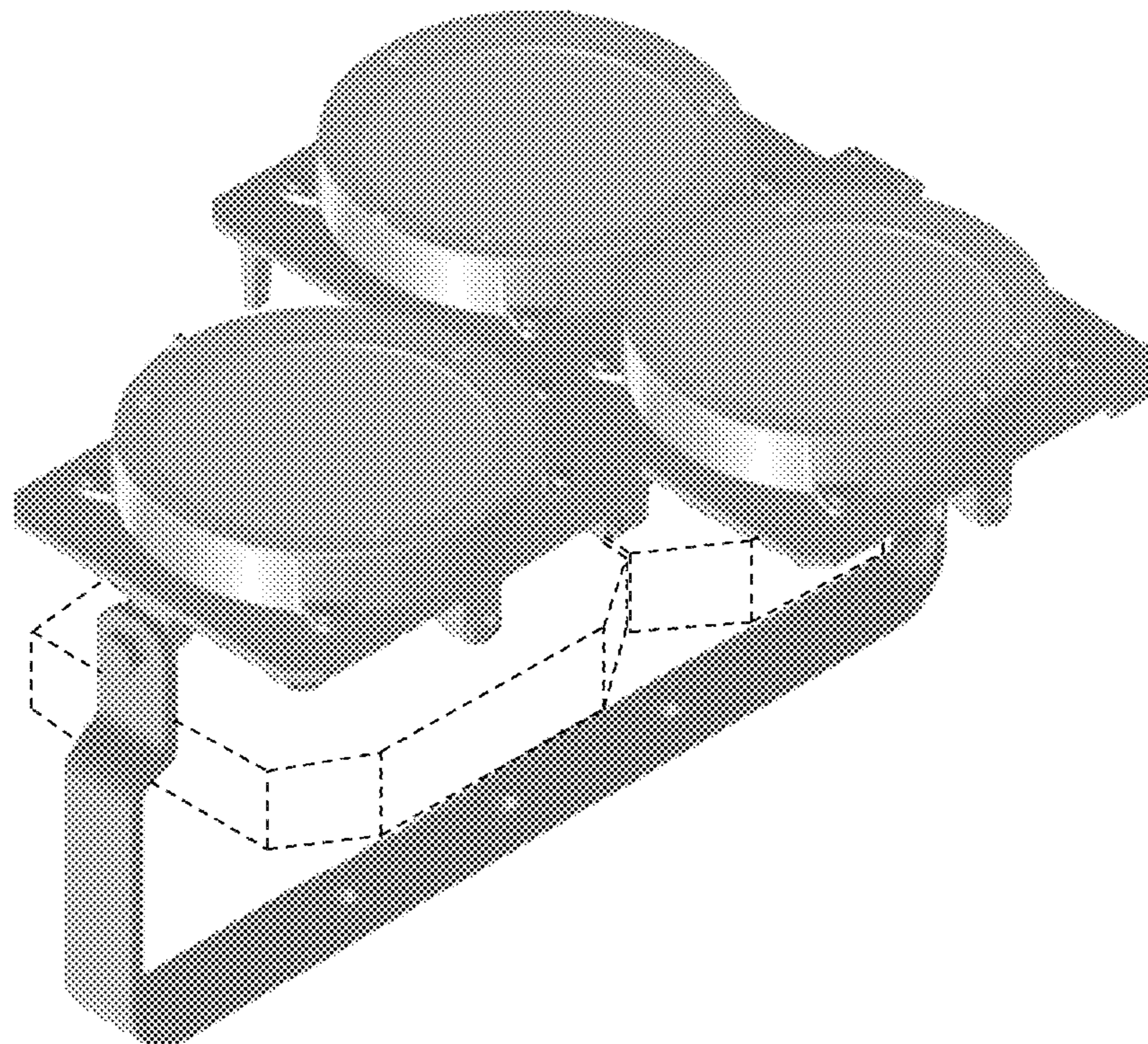


FIG. 1

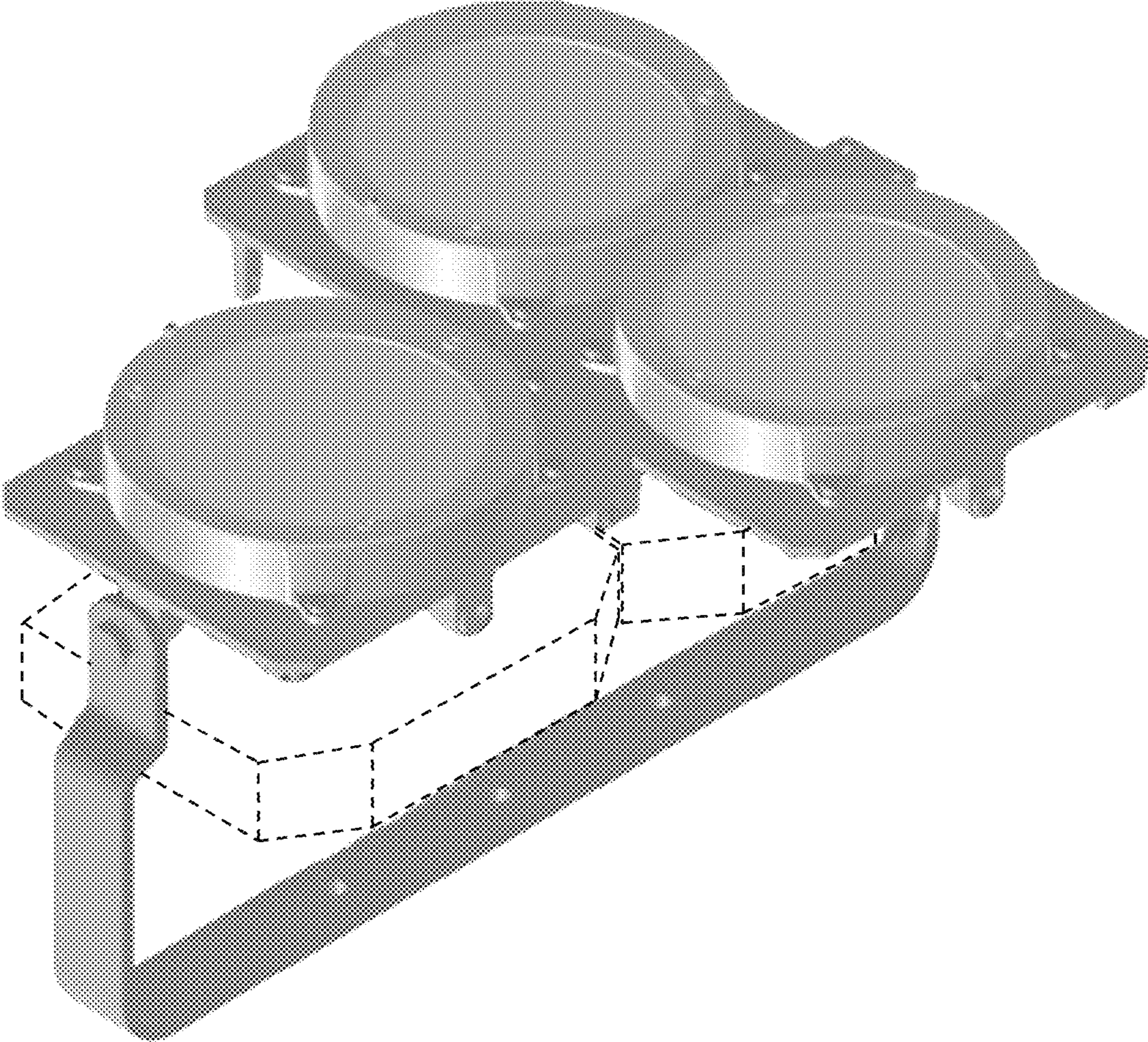


FIG. 2

