



US00D912289S

(12) **United States Design Patent**
Thompson, Jr.

(10) **Patent No.:** **US D912,289 S**
(45) **Date of Patent:** **** Mar. 2, 2021**

(54) **BICYCLE LIGHT**

(71) Applicant: **Douglas Smith Thompson, Jr.**,
Glenmoore, PA (US)

(72) Inventor: **Douglas Smith Thompson, Jr.**,
Glenmoore, PA (US)

(**) Term: **15 Years**

(21) Appl. No.: **29/692,176**

(22) Filed: **May 23, 2019**

(51) **LOC (13) Cl.** **26-03**

(52) **U.S. Cl.**
USPC **D26/60; D26/28**

(58) **Field of Classification Search**
USPC D26/28, 60; D8/334
CPC B62J 6/001; B62J 6/02; B62J 6/003; F21S
4/00; F21S 48/00; F21S 48/20; F21V
21/00; F21V 21/08; F21V 21/088; F21W
2101/023

See application file for complete search history.

(56) **References Cited**

U.S. PATENT DOCUMENTS

D527,137 S *	8/2006	Urich	D26/60
D569,023 S *	5/2008	Lee	D26/60
D574,986 S *	8/2008	Kumthampinij	D26/60
D579,718 S *	11/2008	Borovicka	D6/28
D590,975 S *	4/2009	Ma	D26/60
D706,468 S *	6/2014	Nagano	D26/28

D869,023 S * 12/2019 Wang D26/28
2018/0170469 A1* 6/2018 Zheng G01S 19/19

* cited by examiner

Primary Examiner — Brian N. Vinson

(74) *Attorney, Agent, or Firm* — Keeley DeAngelo LLP;
W. Scott Keeley

(57) **CLAIM**

The ornamental design for a bicycle light, as shown and described.

DESCRIPTION

FIG. 1 is a front perspective view of the present embodiment in situ;

FIG. 2 is a front, perspective view of the present embodiment;

FIG. 3 is a rear perspective view of the present embodiment;

FIG. 4 is a front, bottom, perspective view of the present embodiment;

FIG. 5 is a front orthographic view, with the left view a mirror image thereof;

FIG. 6 is a left side orthographic view of the present embodiment, the right side being a mirror image thereof;

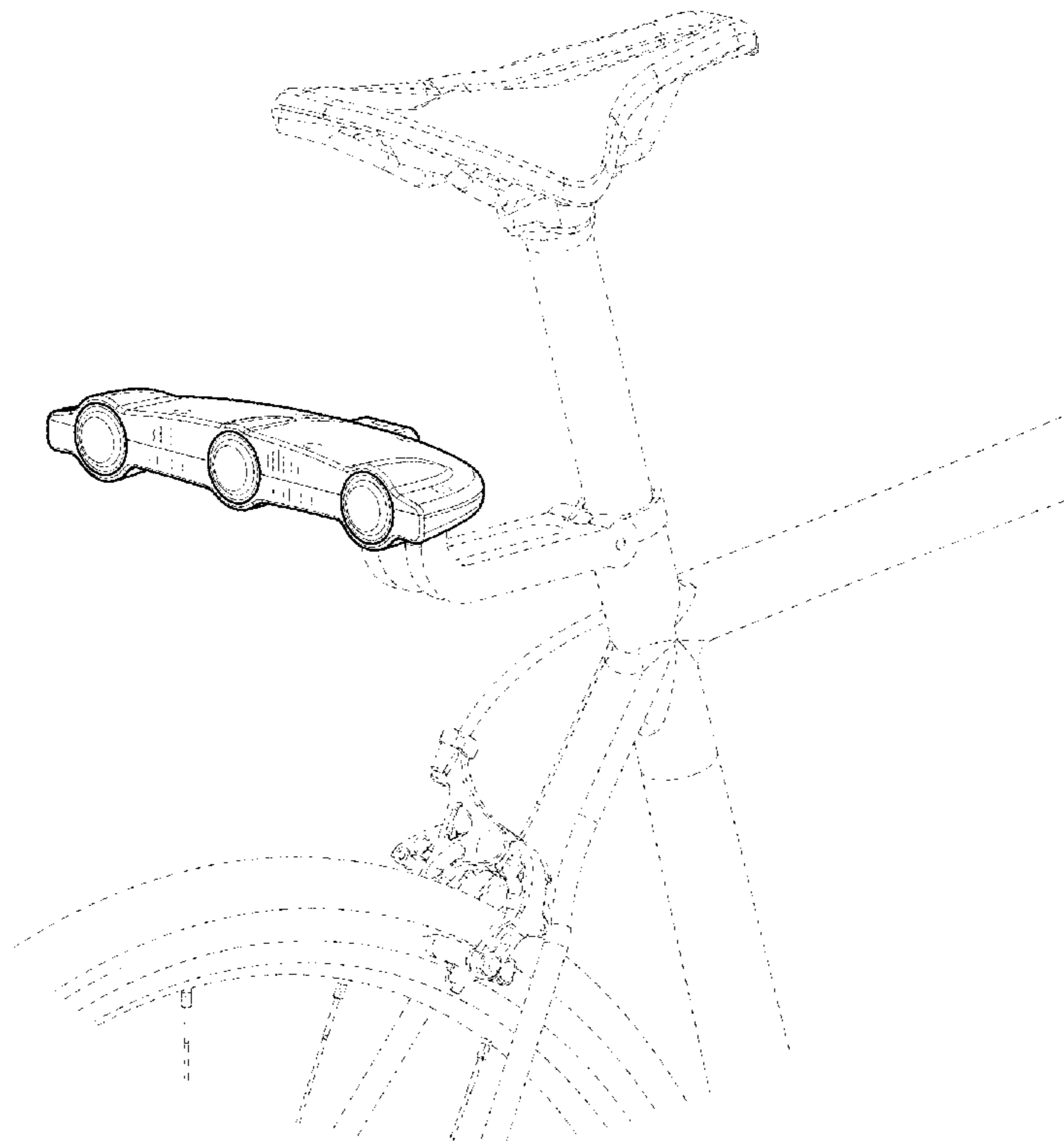
FIG. 7 is a rear orthographic view of the present embodiment;

FIG. 8 is a top orthographic view of the present embodiment; and,

FIG. 9 is a bottom orthographic view of the present embodiment.

The portions shown in broken lines are for illustrative purposes only, and form no part of the claimed design.

1 Claim, 9 Drawing Sheets



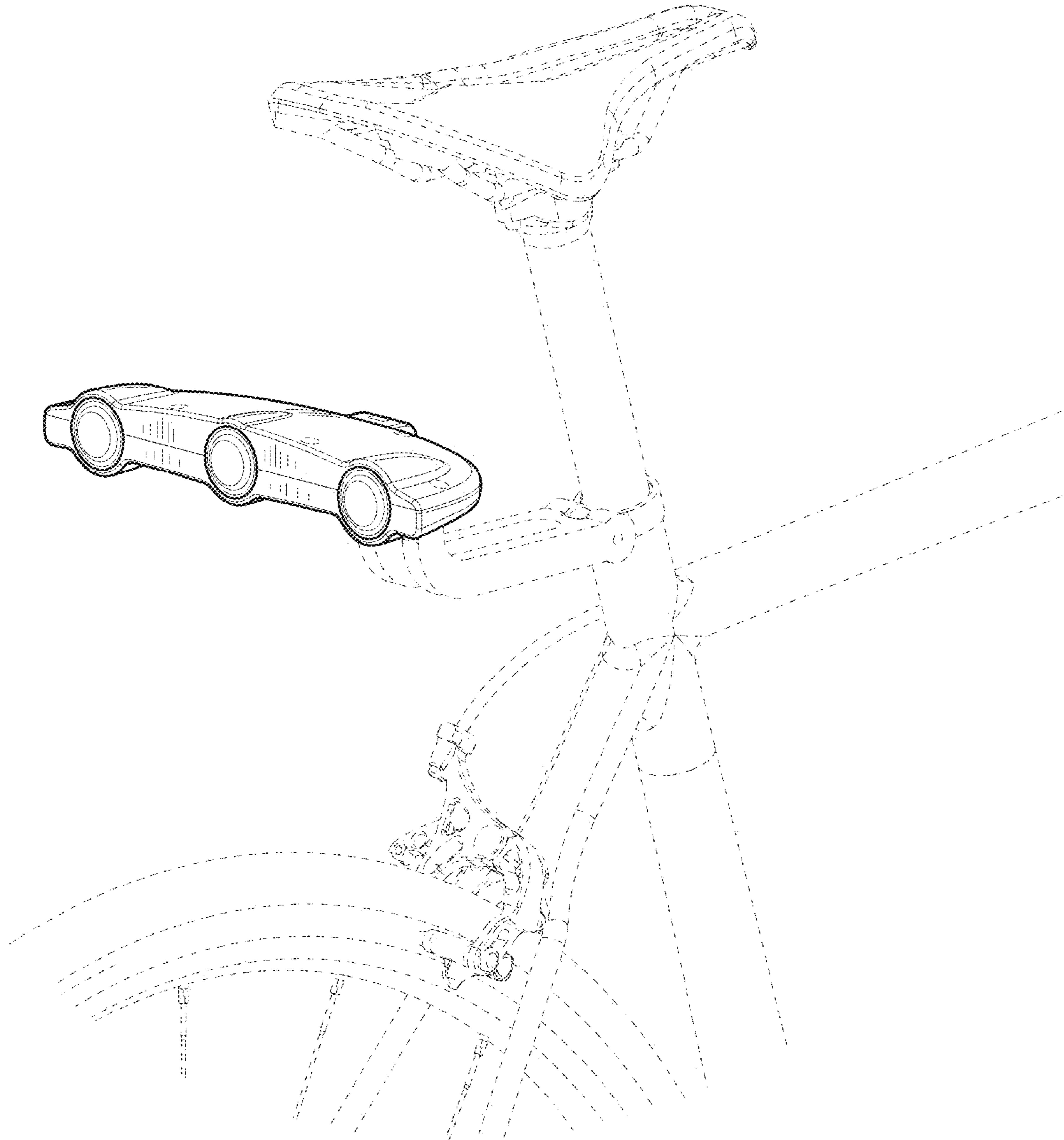


FIG. 1

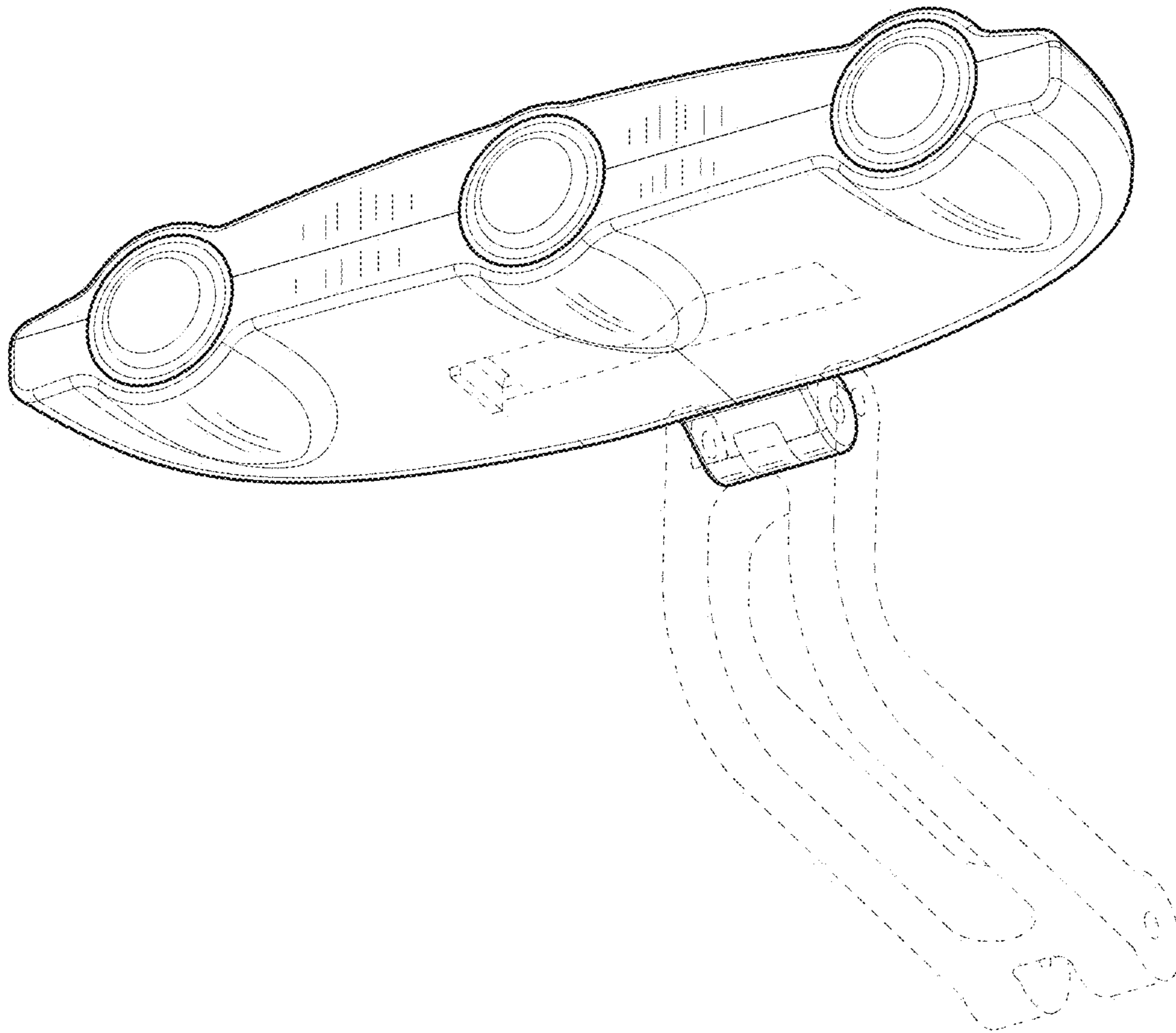


FIG. 2

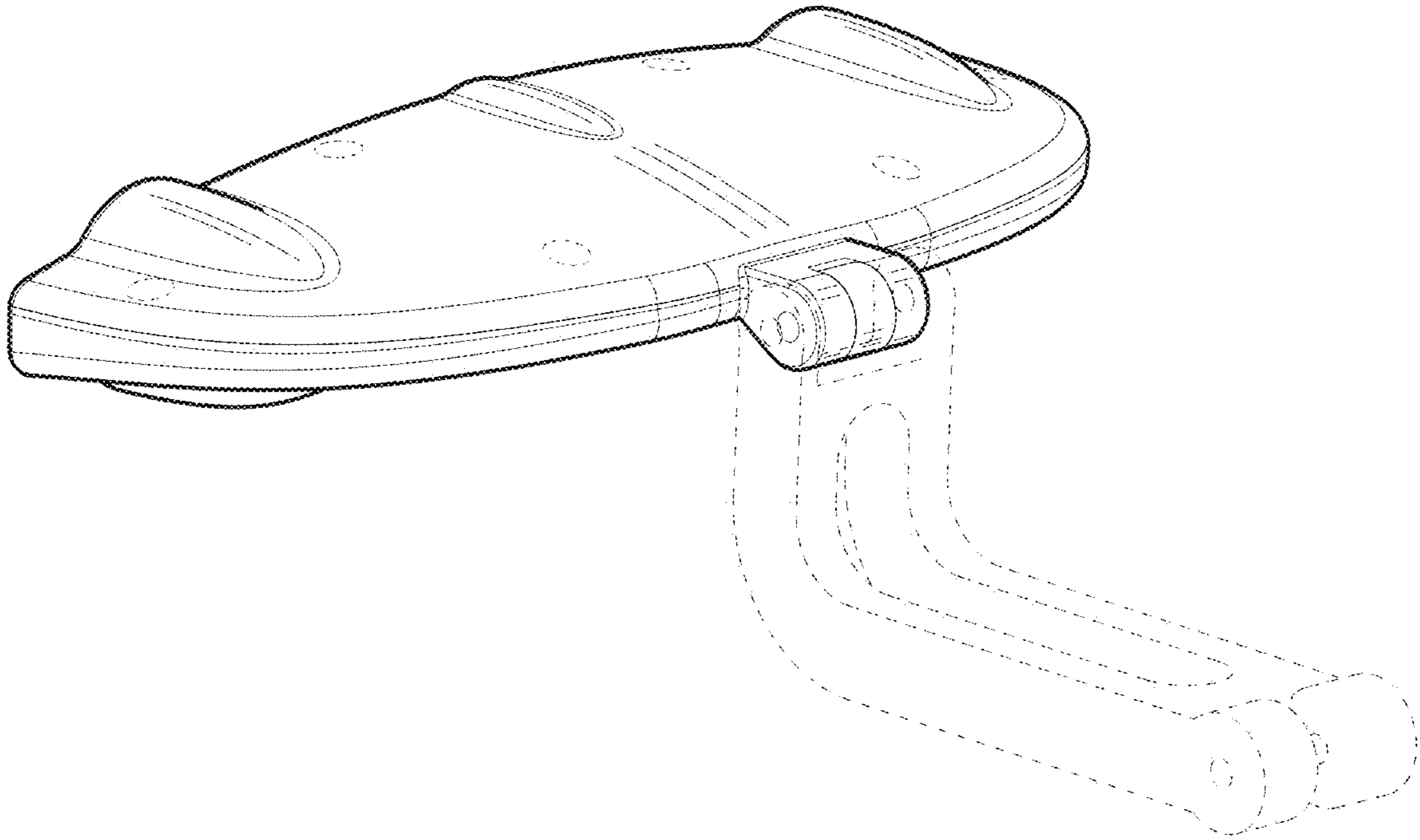


FIG. 3

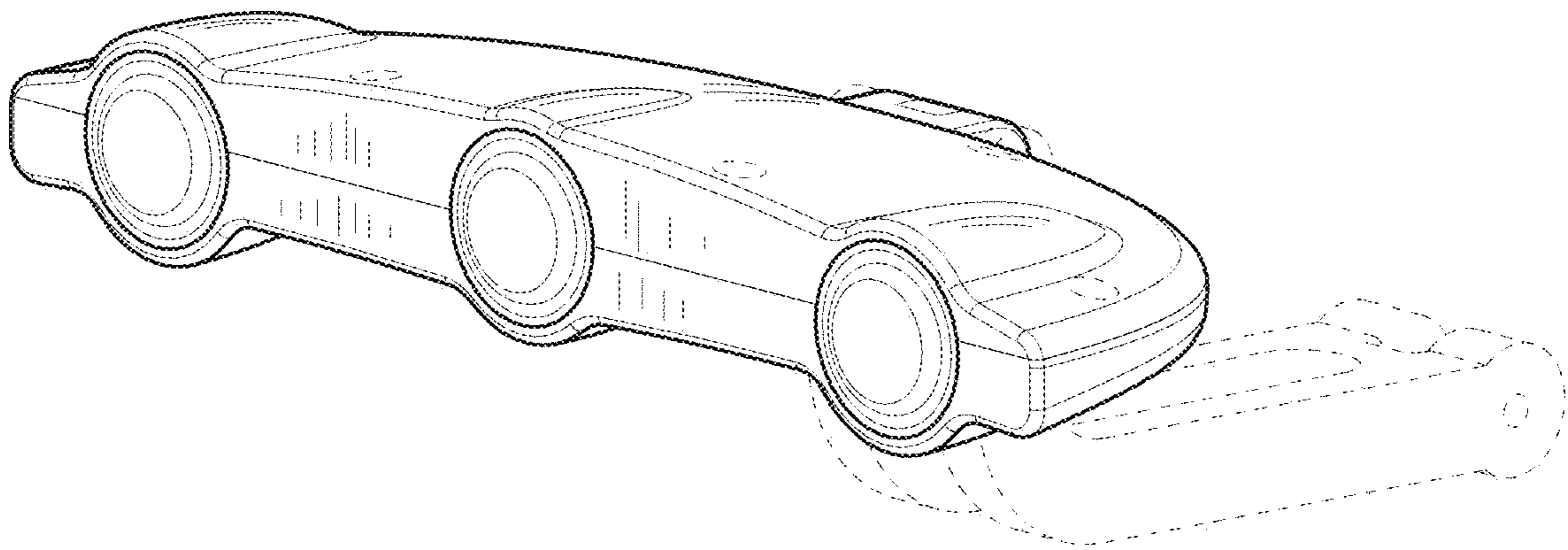


FIG. 4

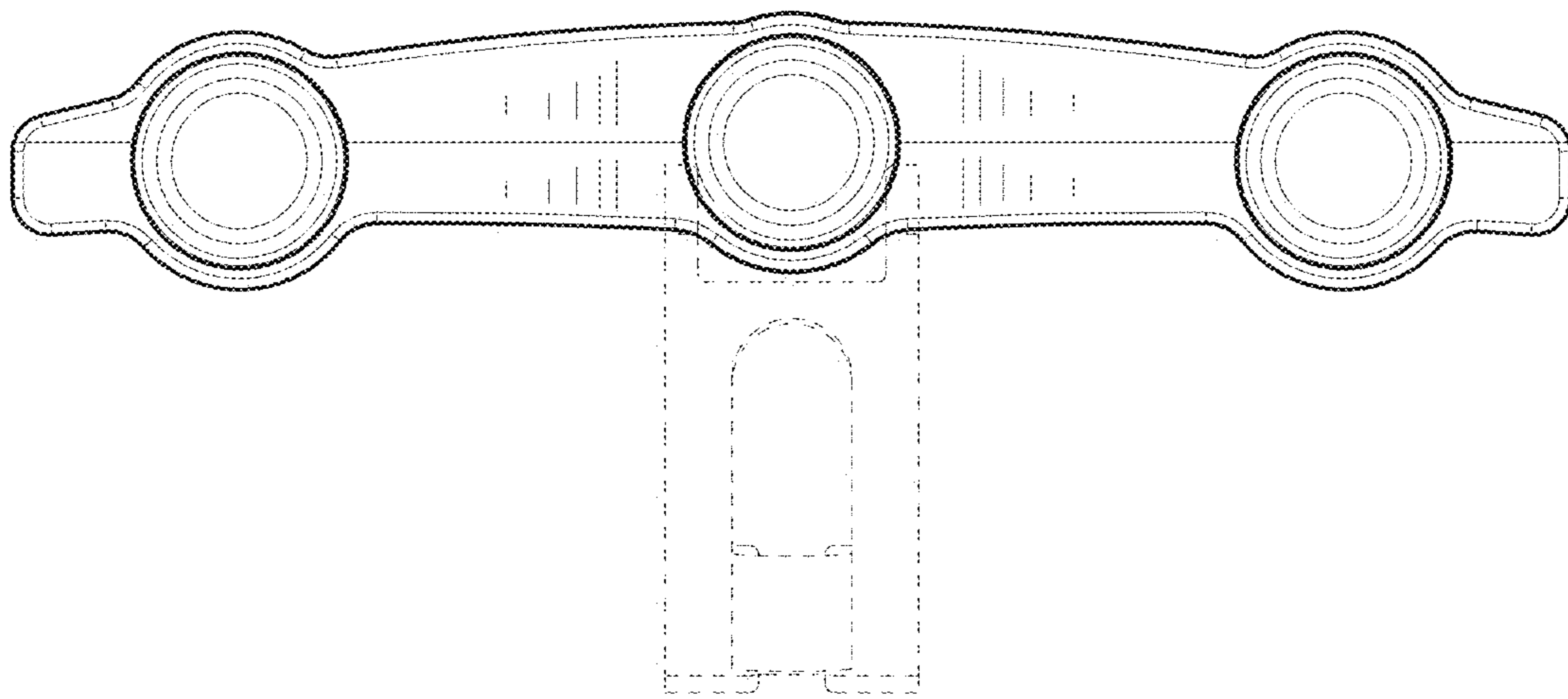


FIG. 5

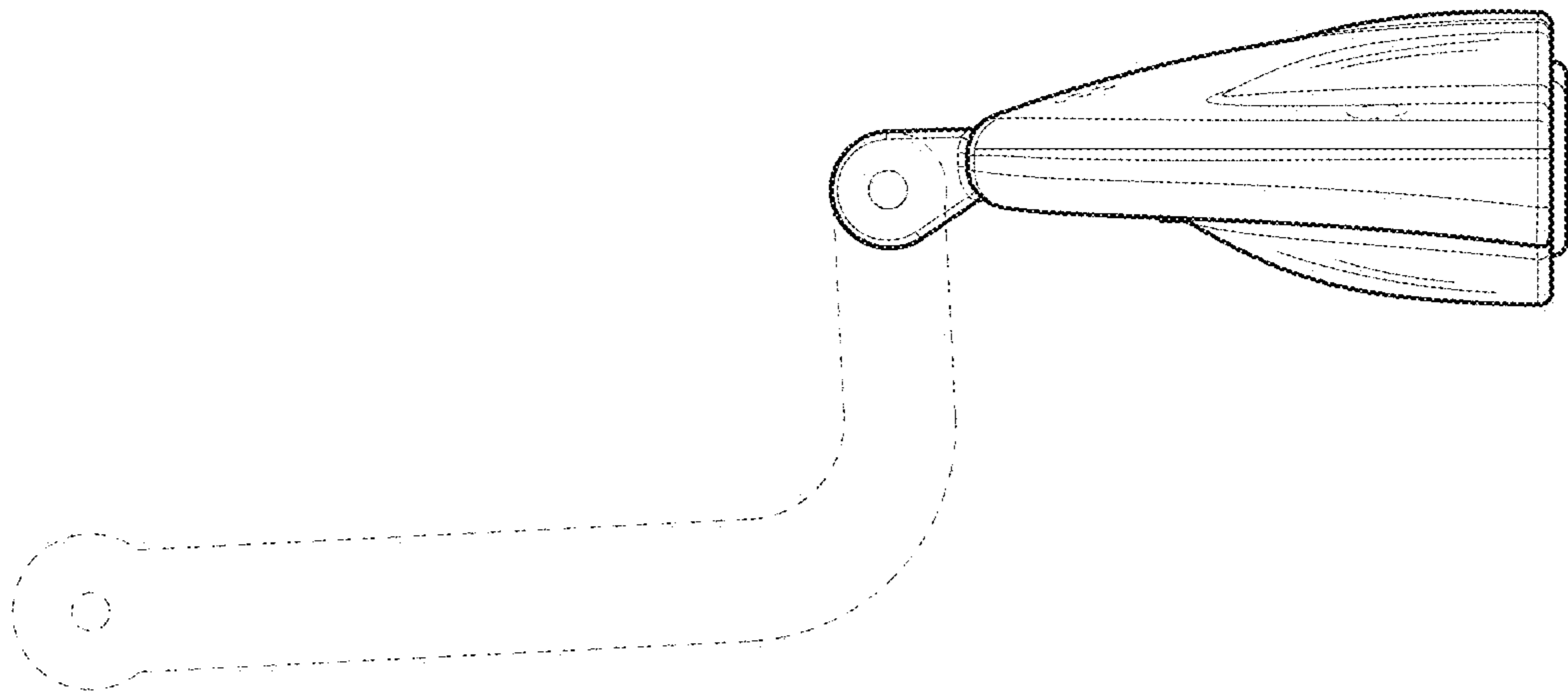


FIG. 6

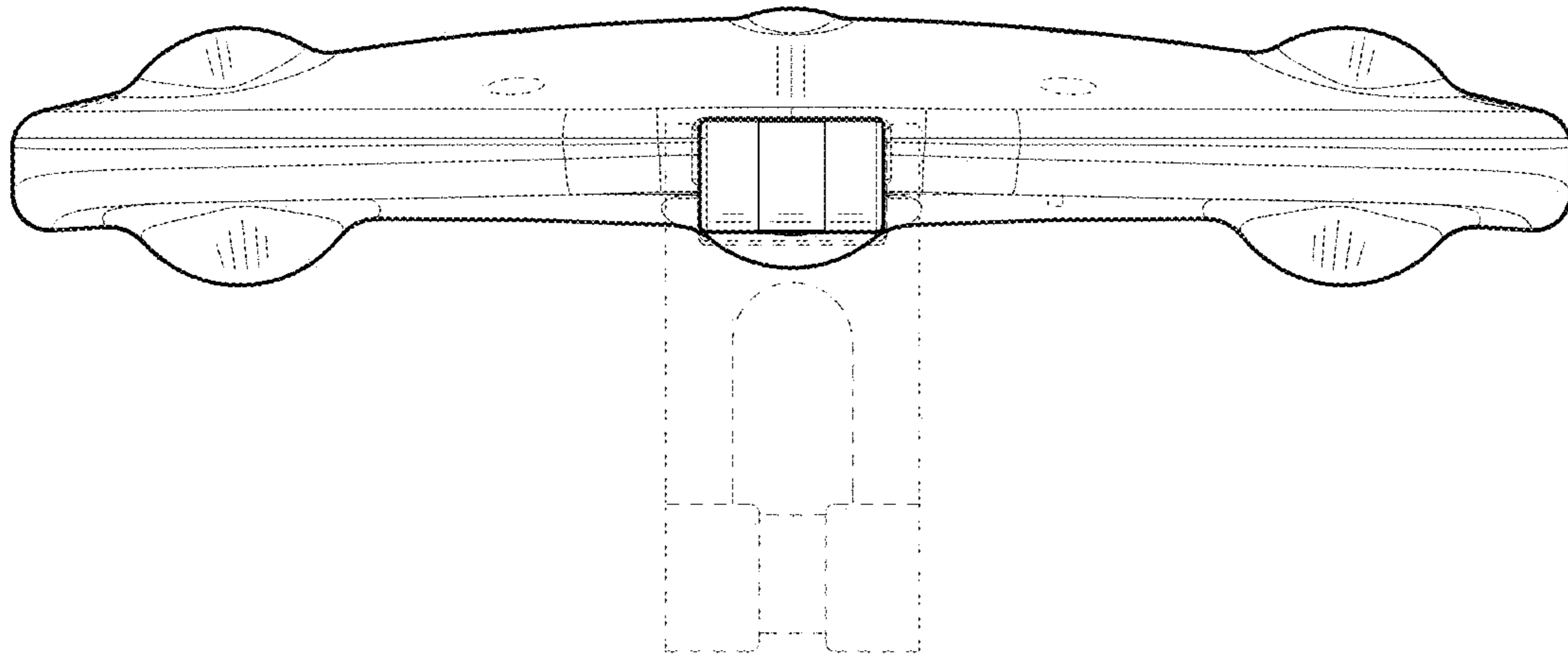


FIG. 7

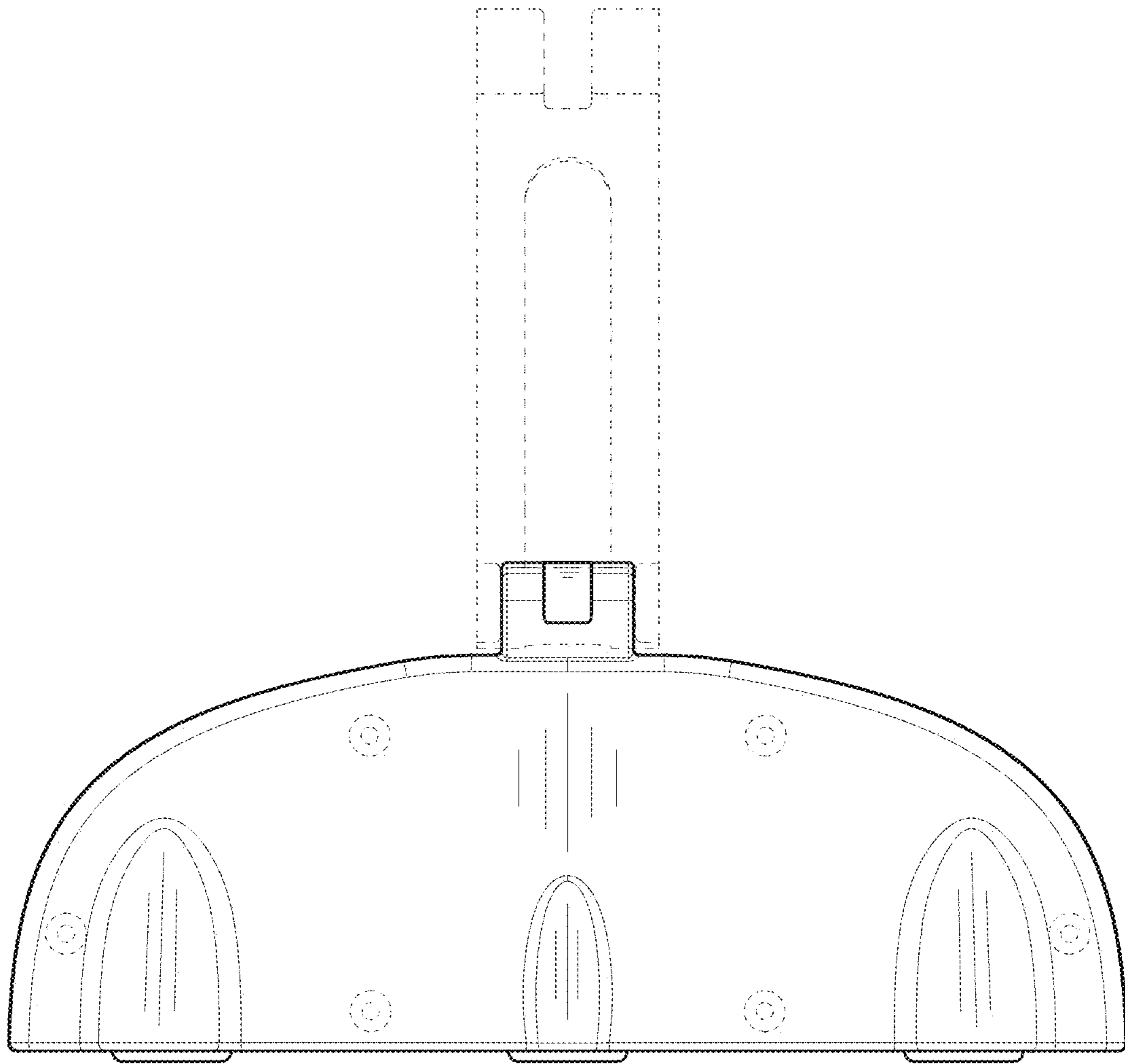


FIG. 8

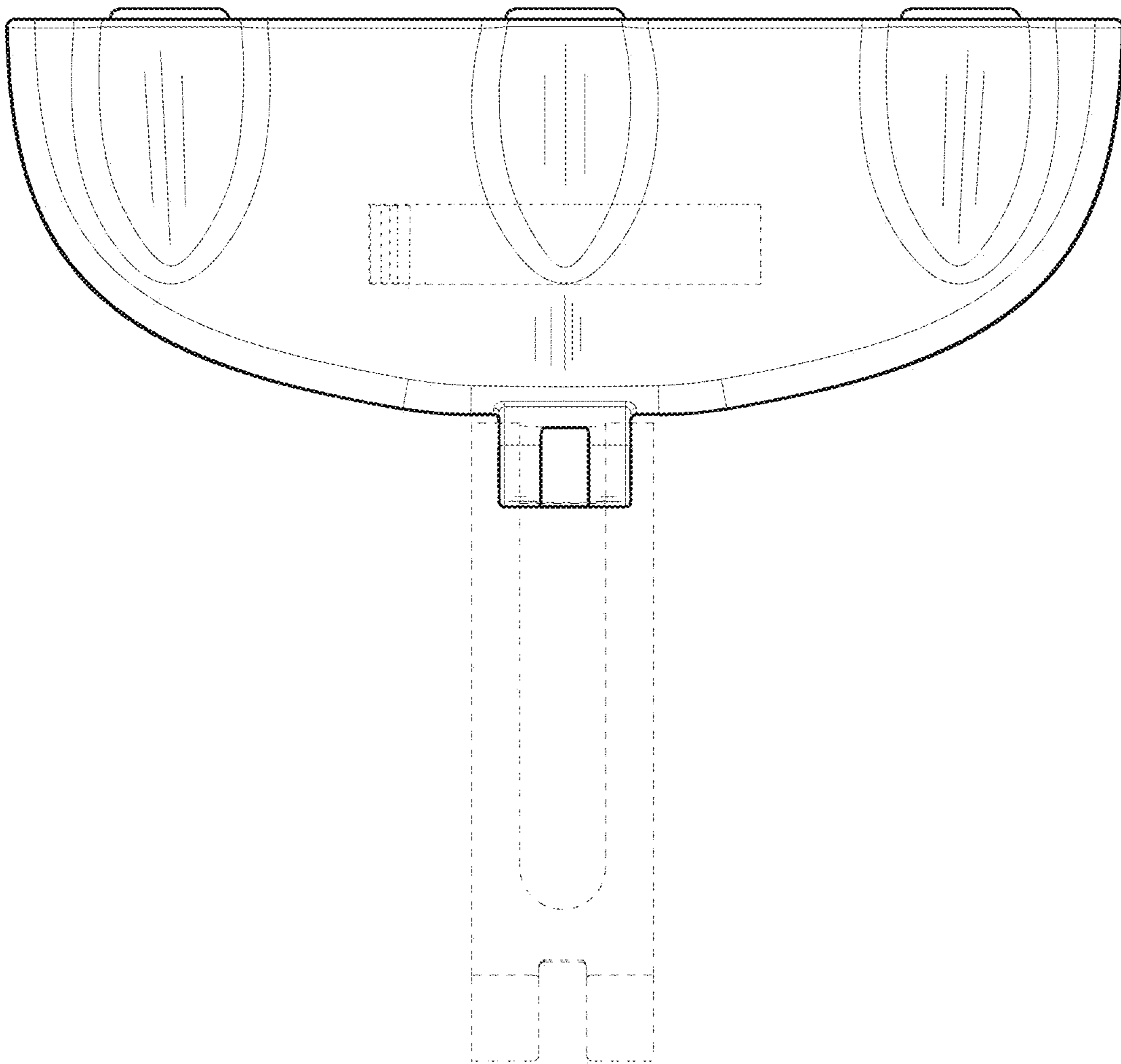


FIG. 9