



US00D912288S

(12) **United States Design Patent**
Yang

(10) **Patent No.:** **US D912,288 S**

(45) **Date of Patent:** **** Mar. 2, 2021**

(54) **ROUND LIGHT**

(71) Applicant: **Zhong-Sheng Yang**, Hunan Province (CN)

(72) Inventor: **Zhong-Sheng Yang**, Hunan Province (CN)

(73) Assignee: **Guangzhou Chengguang Electronic Technology Co., Ltd.**, Guangzhou (CN)

(**) Term: **15 Years**

(21) Appl. No.: **29/677,500**

(22) Filed: **Jan. 22, 2019**

(51) **LOC (13) Cl.** **26-06**

(52) **U.S. Cl.**
USPC **D26/29**

(58) **Field of Classification Search**
USPC D26/1, 2, 28-32, 34-36, 129
CPC F21V 1/02; F21V 1/04; F21V 1/14; F21V 3/00; F21V 21/04; F21V 5/00; F21S 48/10; F21S 48/225; F21S 48/1233; F21S 48/1266; F21S 48/2268
See application file for complete search history.

(56) **References Cited**

U.S. PATENT DOCUMENTS

D647,227 S *	10/2011	Kaule	D26/24
D760,407 S *	6/2016	Yang	D26/28
D762,893 S *	8/2016	Hsu	D26/28
D776,308 S *	1/2017	Huang	D26/28
D788,334 S *	5/2017	Jacq	D26/28
D792,993 S *	7/2017	Ko	D26/28
D796,095 S *	8/2017	Huang	D26/28
D803,459 S *	11/2017	Wright	D26/88
D810,332 S *	2/2018	Jacq	D26/28
D810,973 S *	2/2018	Jacq	D26/28
D853,604 S *	7/2019	Ting	D26/28
D855,860 S *	8/2019	Peng	D26/74
D868,313 S *	11/2019	Huang	D26/28
D880,733 S *	4/2020	Lo	D26/1

D880,736 S *	4/2020	Hu	D26/28
D882,836 S *	4/2020	Dennis	D26/28
D886,335 S *	6/2020	Zhu	D26/24

OTHER PUBLICATIONS

theretrofitsource.com: Morimoto Sealed7 1.0 Bi-LED Headlight. Undated online product page. Retrieved on Nov. 9, 2020 from <<https://www.theretrofitsource.com/morimoto-sealed7-bi-led-headlights-7?quantity=1>> (Year: 2020).*

online-led-store.com: 1-Pack 7" Round Headlight. Undated online product page. Retrieved on Nov. 9, 2020 from <<https://www.online-led-store.com/7-inch-round-hdl1553-harley-davidson-halo-drl-dot-approved-headlight-kit-chrome-cazledhdl1553-ch>> (Year: 2020).*

amazon.com: Z-OFFROAD 2PCS New 7 inch Round LED Headlights. Date uploaded Jul. 18, 2019 [site visited Nov. 9, 2020]. Retrieved from internet, <https://www.amazon.com/Headlight-Headlamp-Wrangler-Sahara-Rubicon/dp/B07VFMSBBH/ref=sr_1_29?dchild=1&keywords=round+headlight&qid=1604930394&sr=8-29> (Year: 2019).*

* cited by examiner

Primary Examiner — Sheryl Lane
Assistant Examiner — Stacey L Hopkins

(57) **CLAIM**

The ornamental design for a round light, as shown and described.

DESCRIPTION

FIG. 1 is a perspective view of a round light showing my new design;

FIG. 2 is a front elevational view thereof;

FIG. 3 is a top plan view thereof;

FIG. 4 is a left side elevational view thereof;

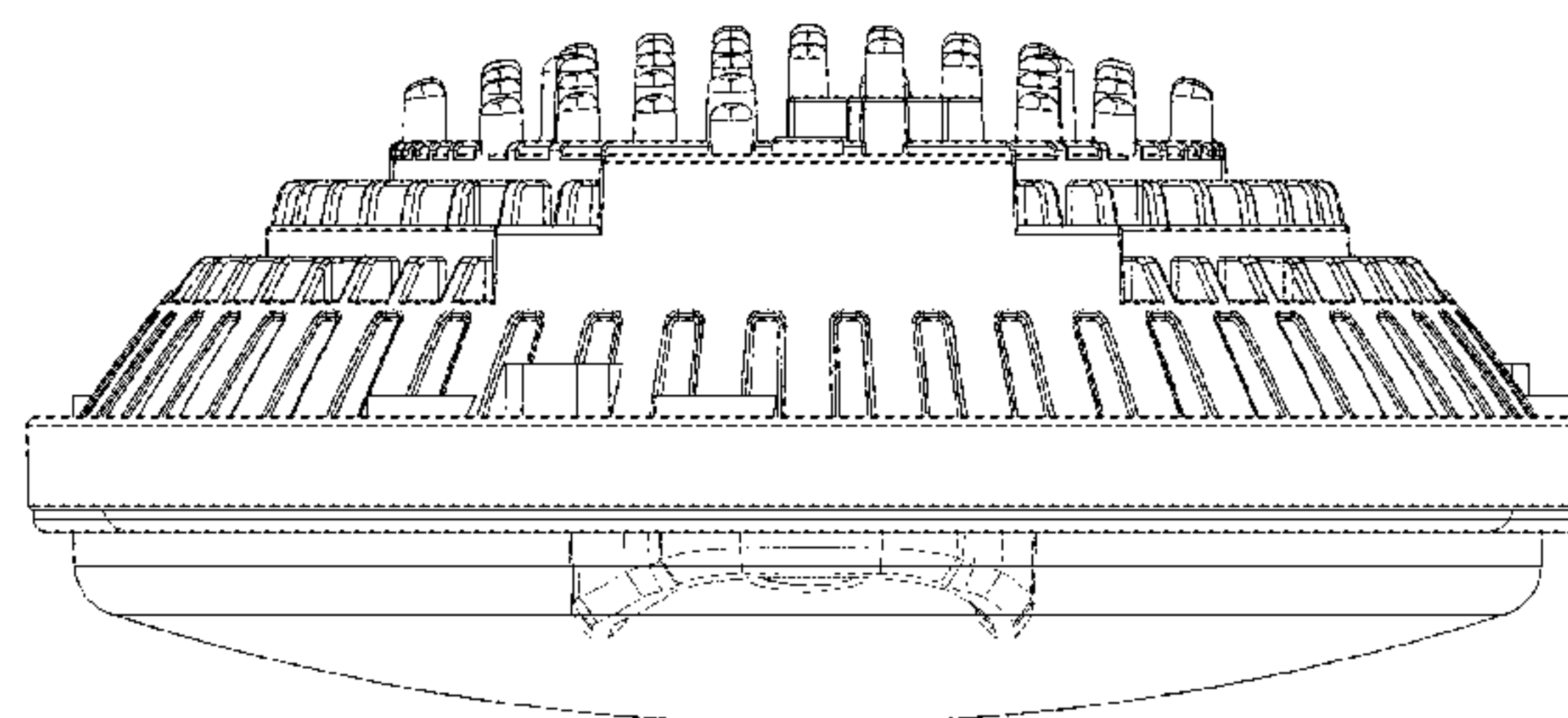
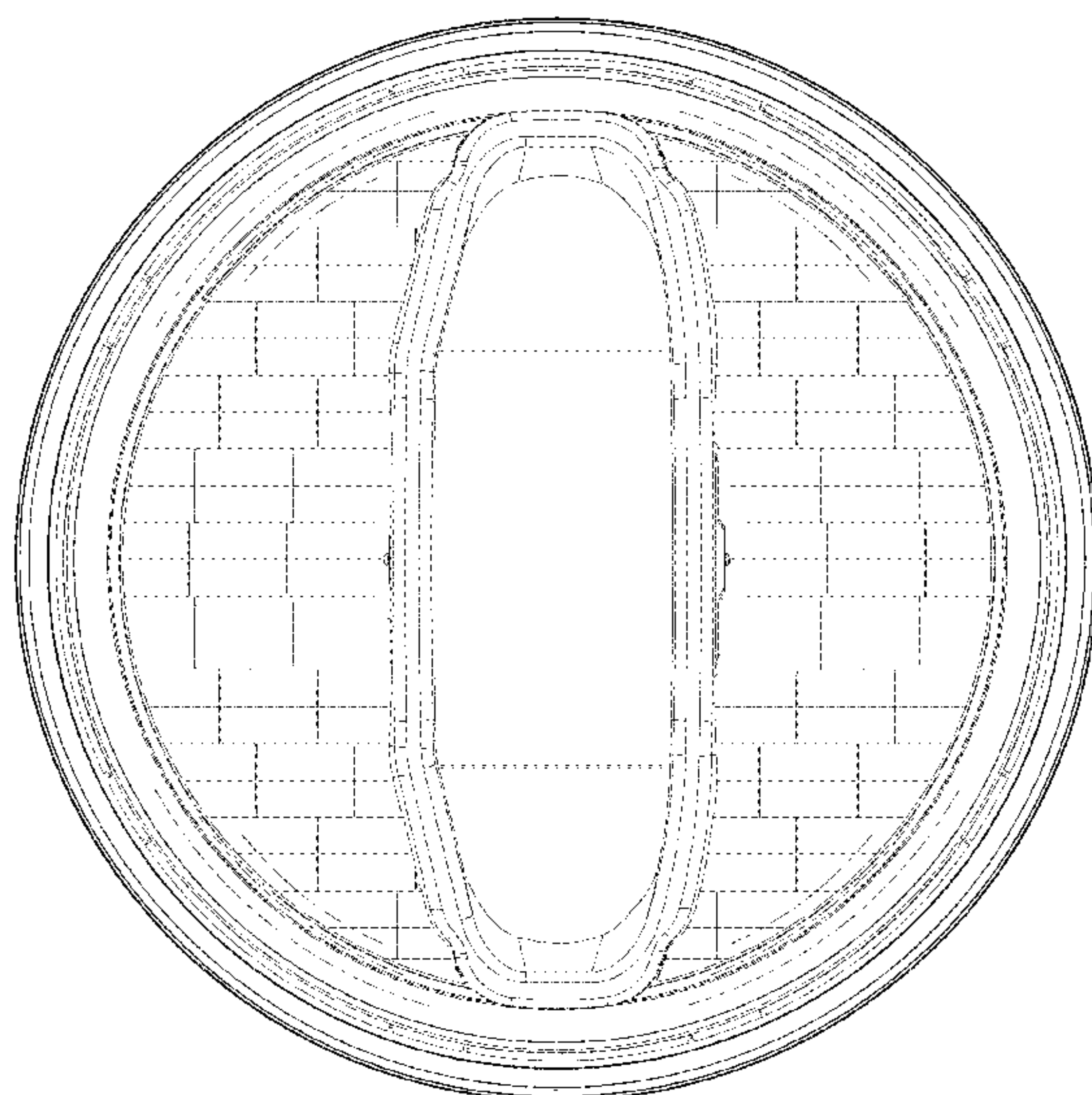
FIG. 5 is a rear elevational view thereof;

FIG. 6 is a right side view thereof;

FIG. 7 is a bottom plan view; and,

FIG. 8 is a perspective reference view thereof.

1 Claim, 8 Drawing Sheets



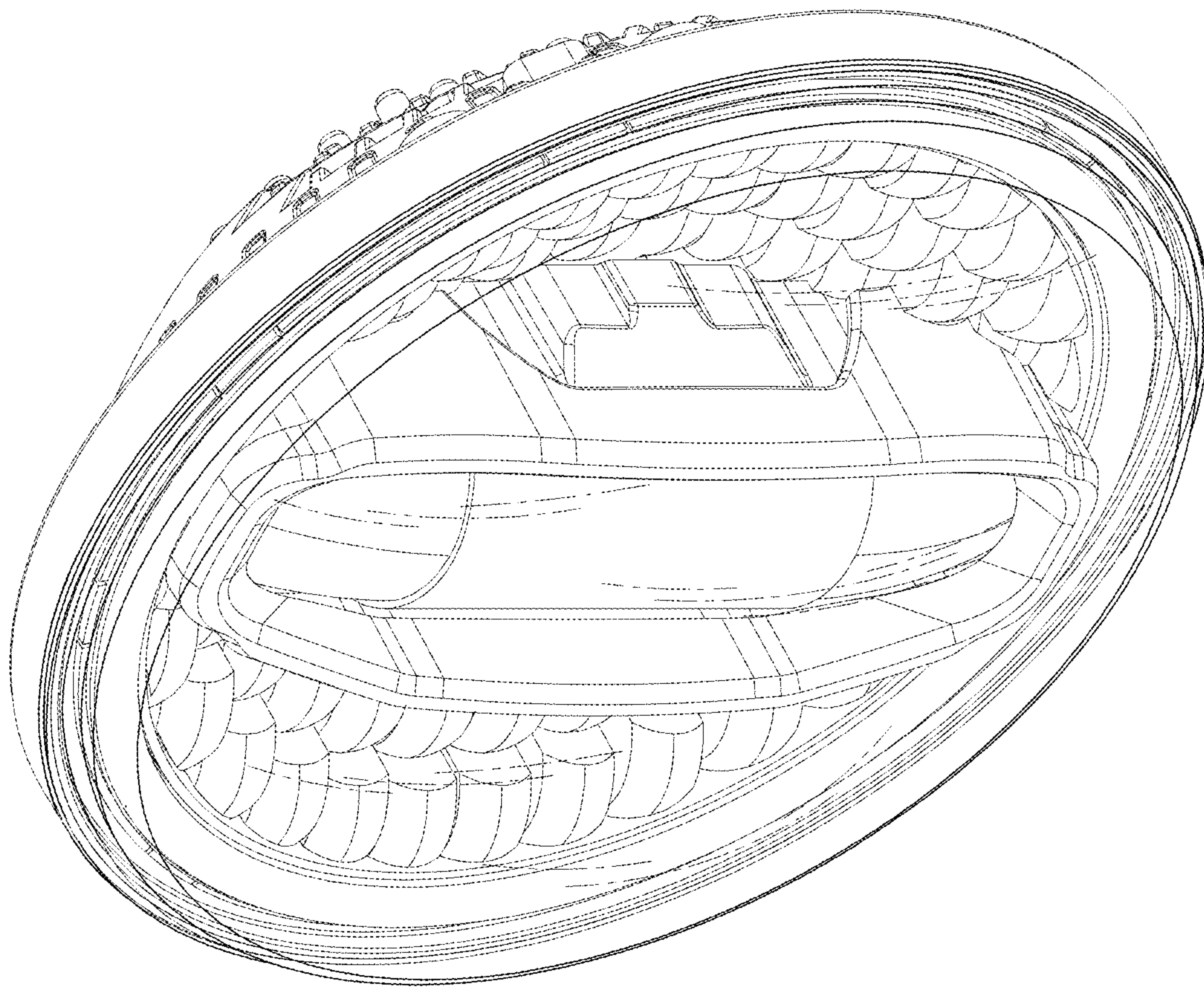


FIG. 1

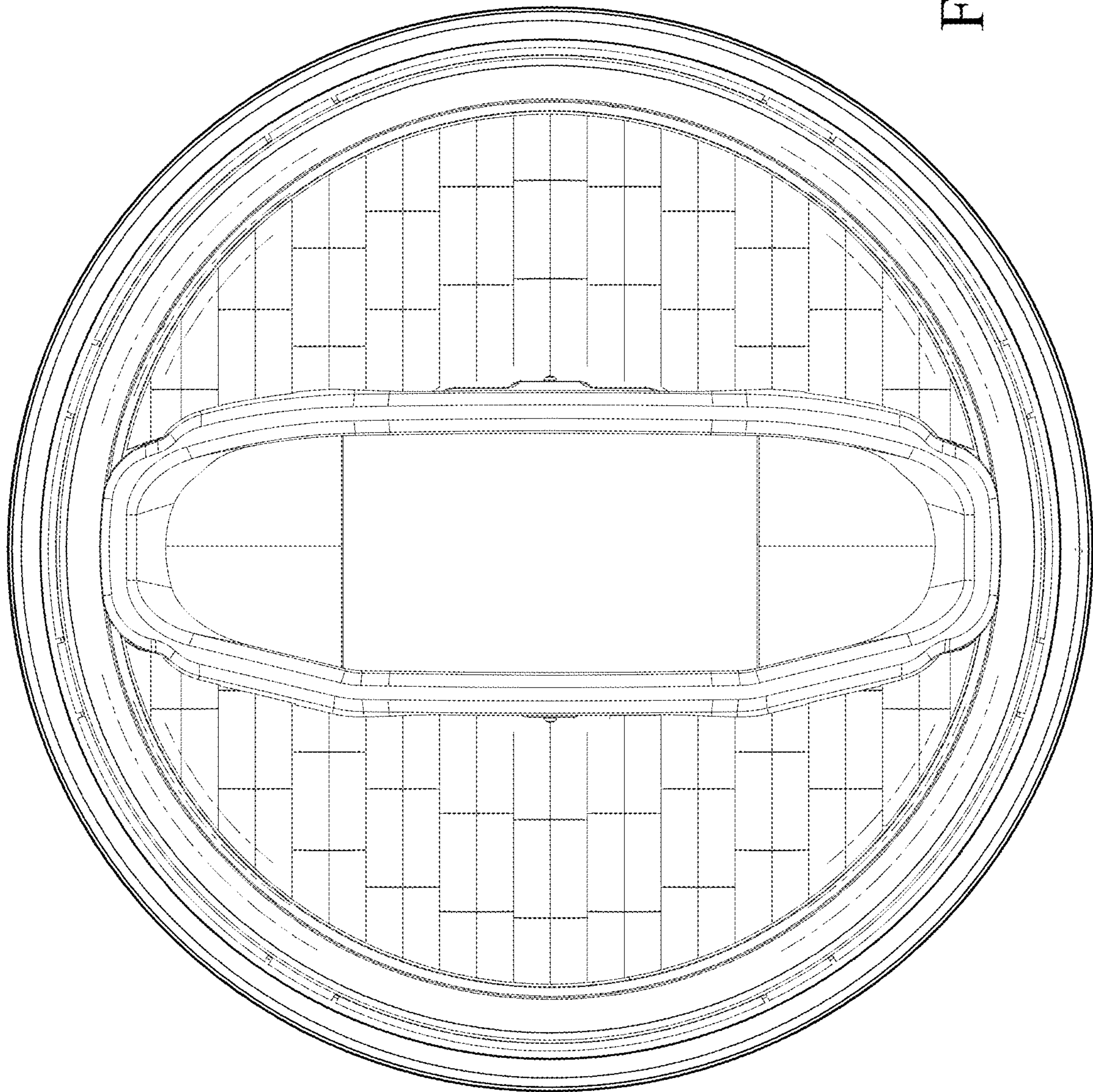


FIG. 2

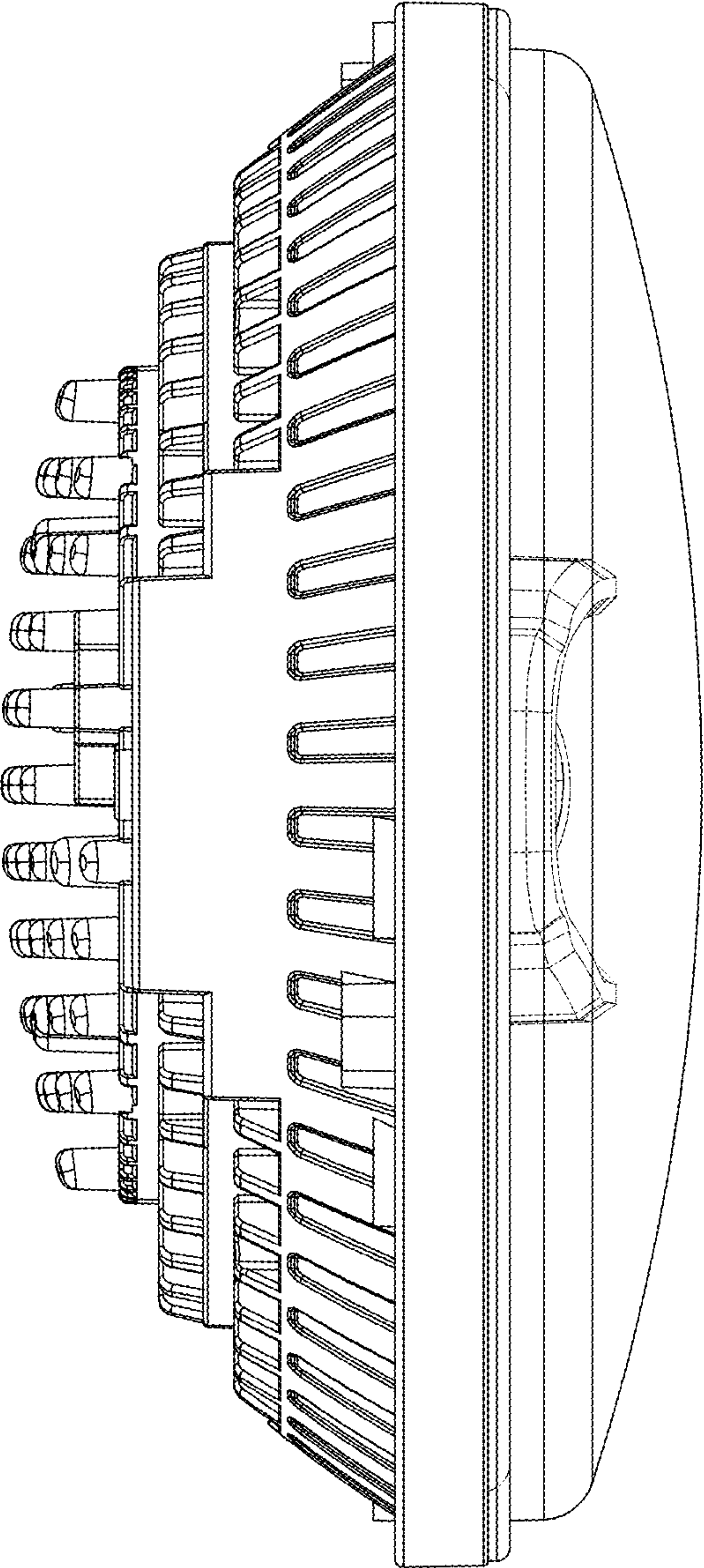


FIG. 3

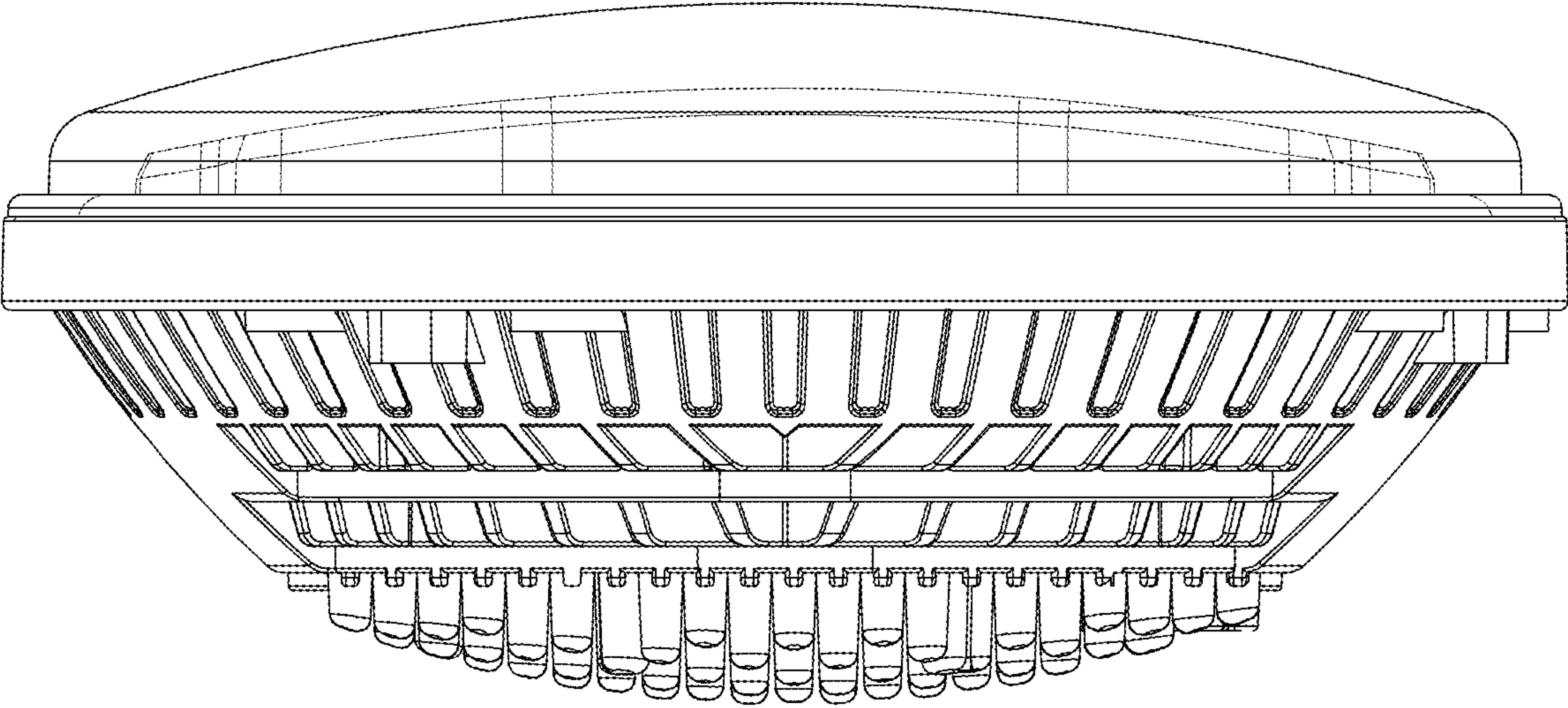


FIG. 4

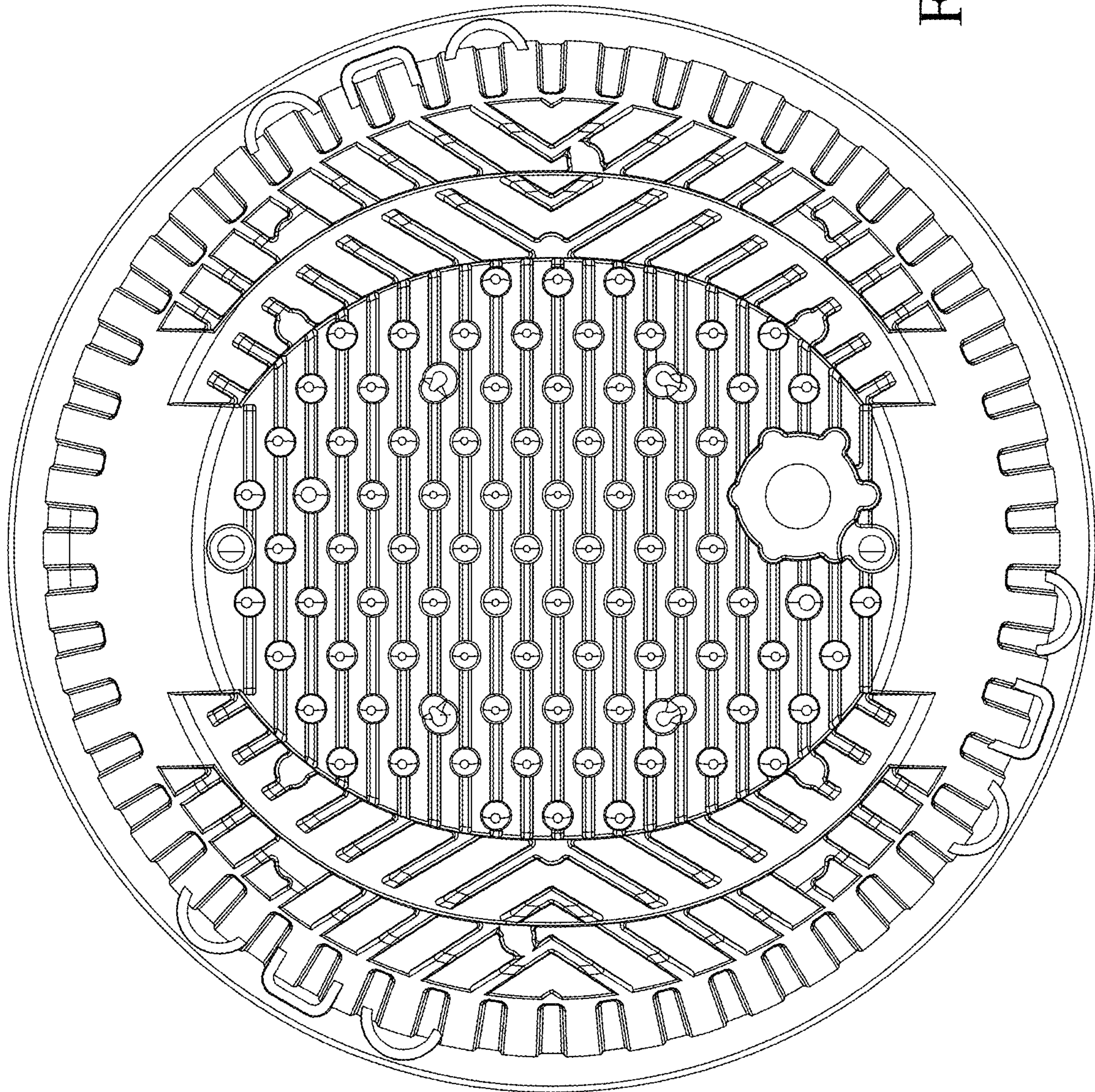


FIG. 5

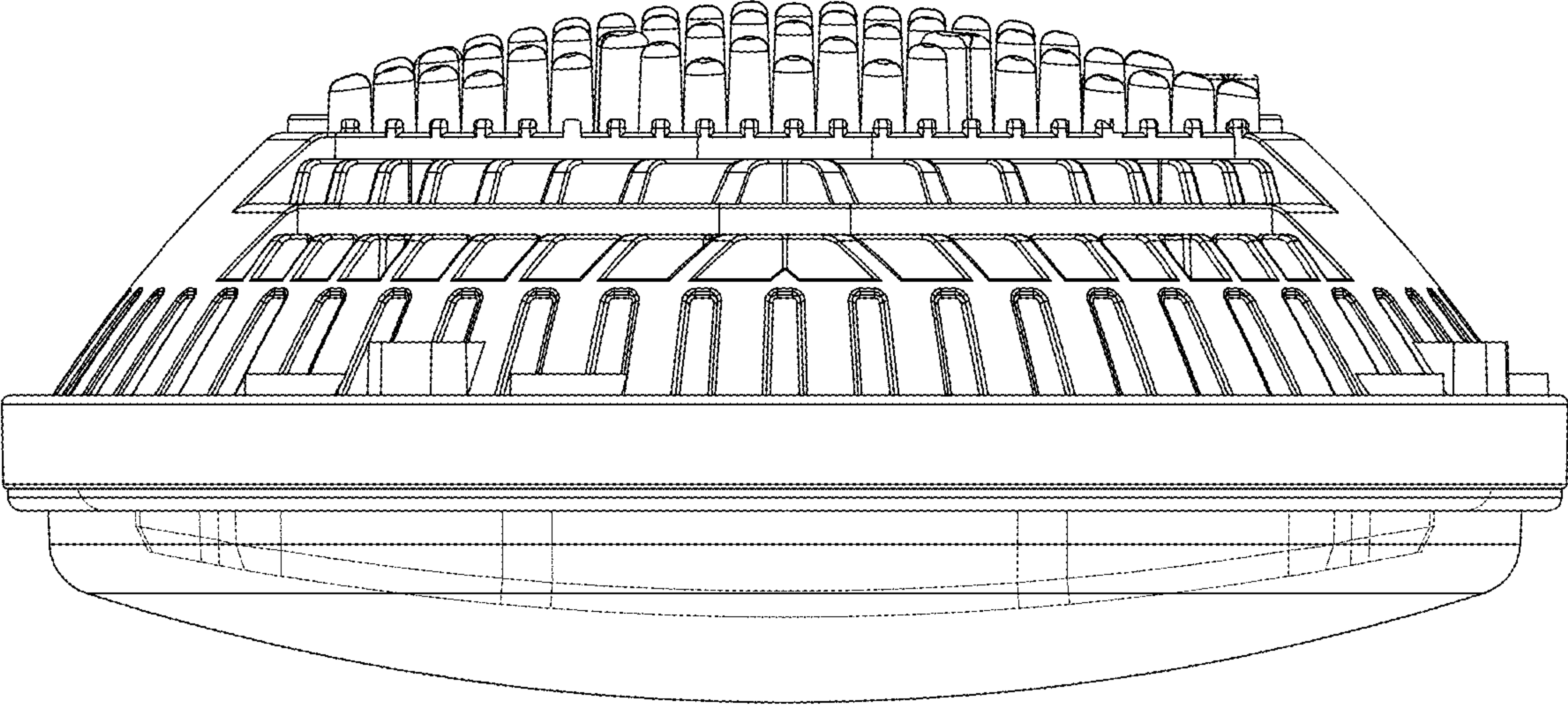


FIG. 6

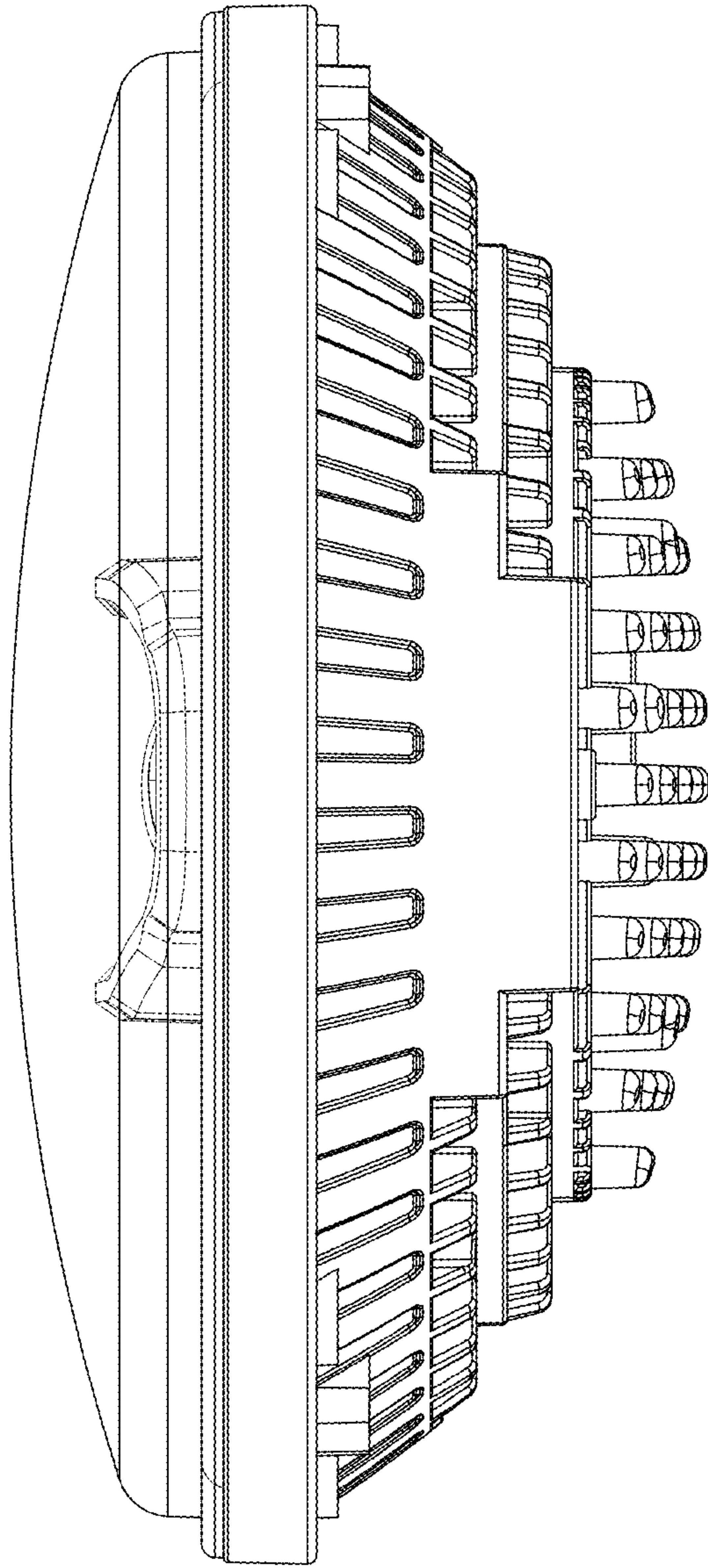


FIG. 7

FIG. 8

