



US00D912284S

(12) **United States Design Patent** (10) **Patent No.:** **US D912,284 S**
Wu (45) **Date of Patent:** **** Mar. 2, 2021**

(54) **LED BULB FOR CARS**
(71) Applicant: **Weiqing Wu**, Guangdong (CN)
(72) Inventor: **Weiqing Wu**, Guangdong (CN)
(**) Term: **15 Years**
(21) Appl. No.: **29/743,454**
(22) Filed: **Jul. 21, 2020**
(51) **LOC (13) Cl.** **26-06**
(52) **U.S. Cl.**
USPC **D26/28**
(58) **Field of Classification Search**
USPC D26/28-36, 139
CPC F21S 48/00; F21S 48/10; F21S 48/115;
F21S 48/225; F21S 48/1233; F21S
48/1266; F21S 48/1388; F21S 48/2268;
F21V 5/00; B60Q 9/13; B60Q 9/135;
B60Q 9/1375; F21K 9/00; F21K 13/00
See application file for complete search history.

D765,288 S * 8/2016 Ueda D26/28
D769,490 S * 10/2016 Ma D26/28
D772,446 S * 11/2016 Largent D26/28
D808,049 S 1/2018 Xie
D825,085 S * 8/2018 Jian D26/28
D834,222 S * 11/2018 Winter D26/28
D841,205 S * 2/2019 Dai D26/28
D846,773 S * 4/2019 Keskin D26/28

* cited by examiner

Primary Examiner — Marcus A Jackson
(74) *Attorney, Agent, or Firm* — ScienBiziP, P.C.

(57) **CLAIM**

The ornamental design for a LED bulb for cars, as shown and described.

DESCRIPTION

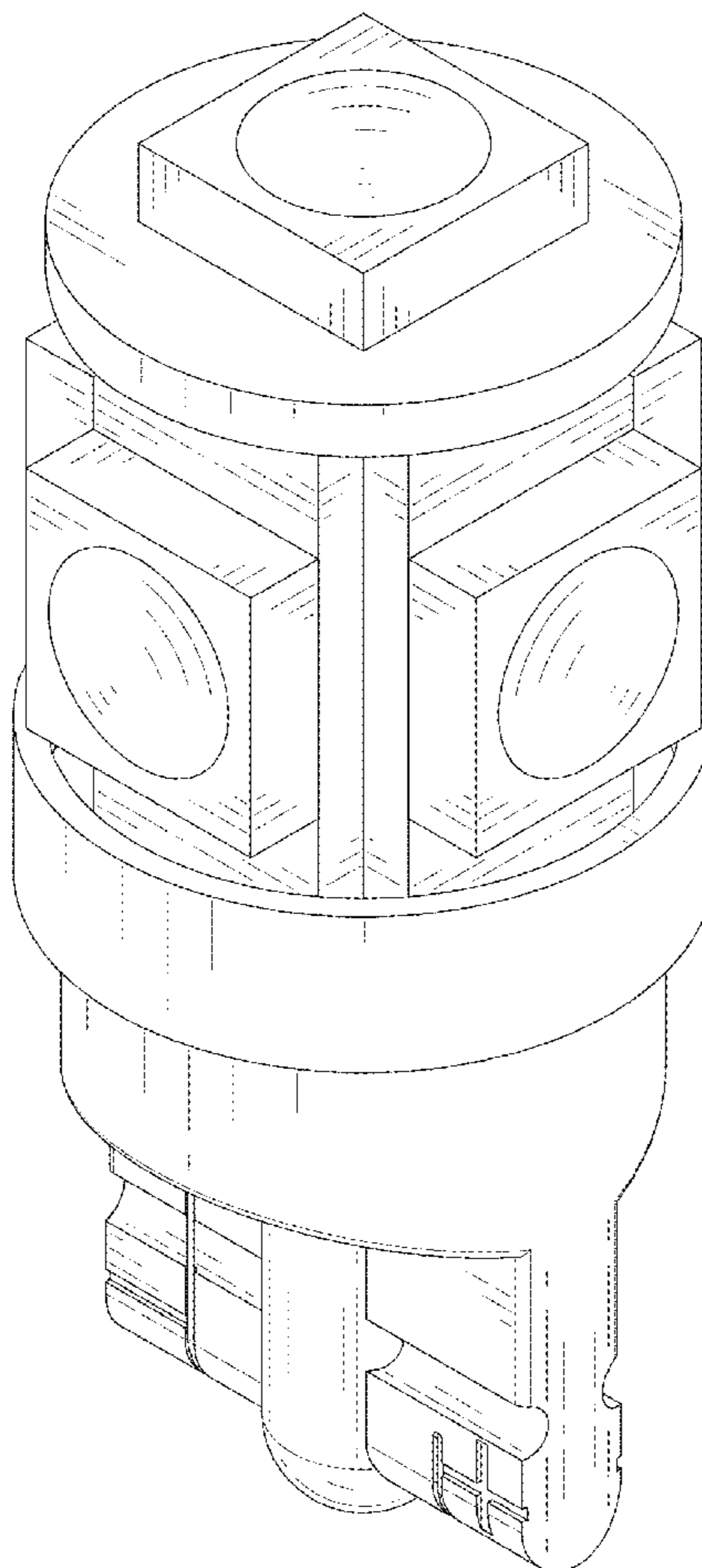
FIG. 1 is a front perspective view of a LED bulb for cars, showing my design.
FIG. 2 is a front elevation view thereof.
FIG. 3 is a rear elevation view thereof.
FIG. 4 is a left side elevation view thereof.
FIG. 5 is a right side elevation view thereof.
FIG. 6 is a top plan view thereof; and,
FIG. 7 is a bottom plan view thereof.
The broken lines in the drawings depict environmental structure and boundaries and form no part of the claimed design.

(56) **References Cited**

U.S. PATENT DOCUMENTS

D710,042 S * 7/2014 Georgitsis D26/28
D713,570 S * 9/2014 Yoshida D26/28

1 Claim, 7 Drawing Sheets



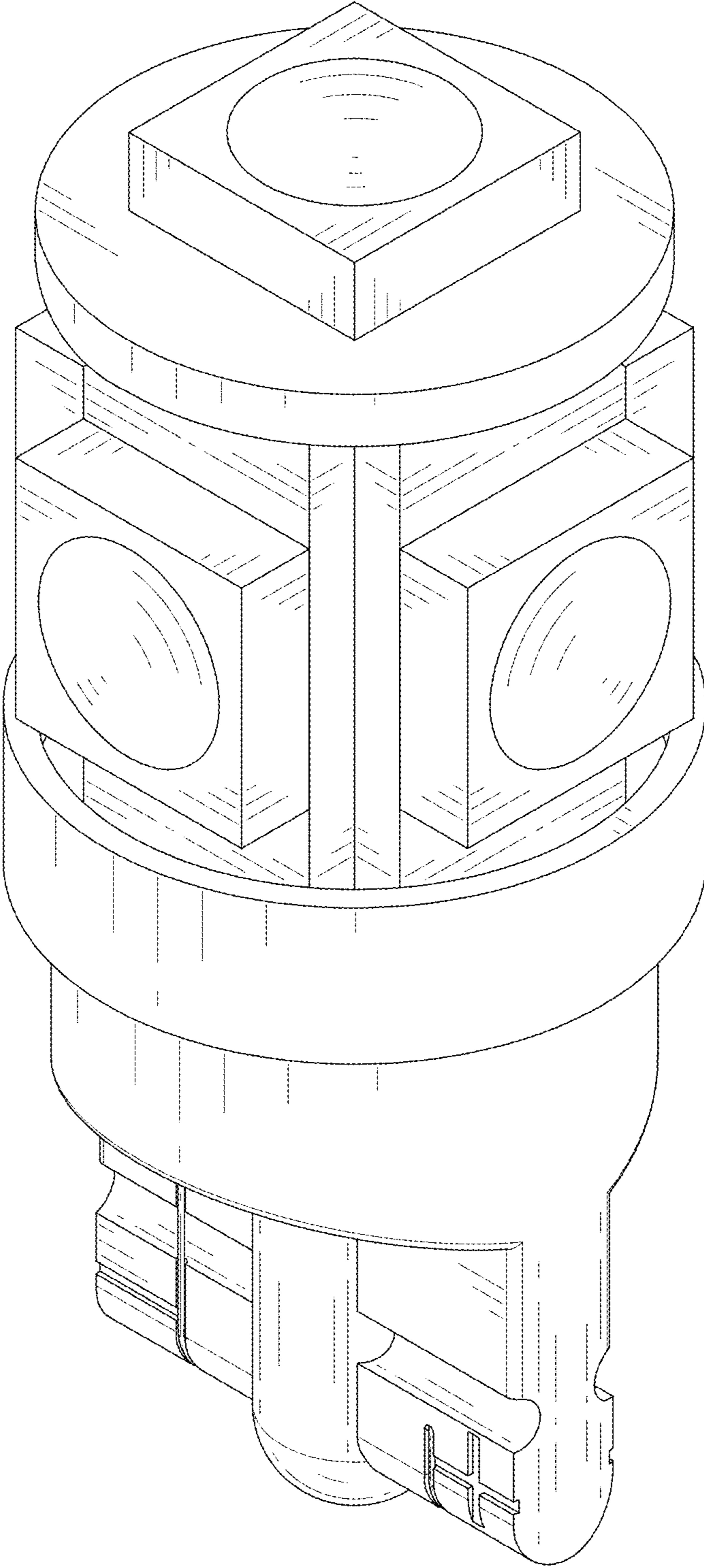


FIG.1

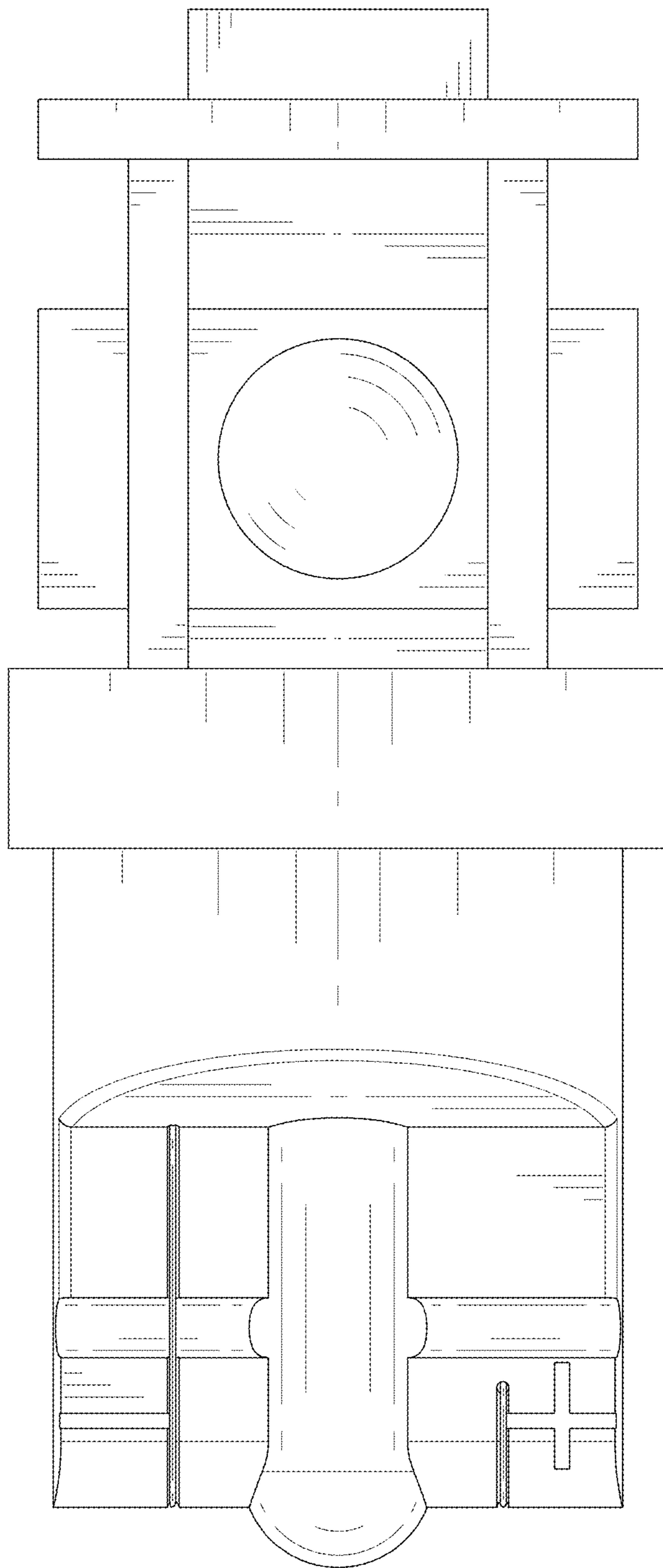


FIG. 2

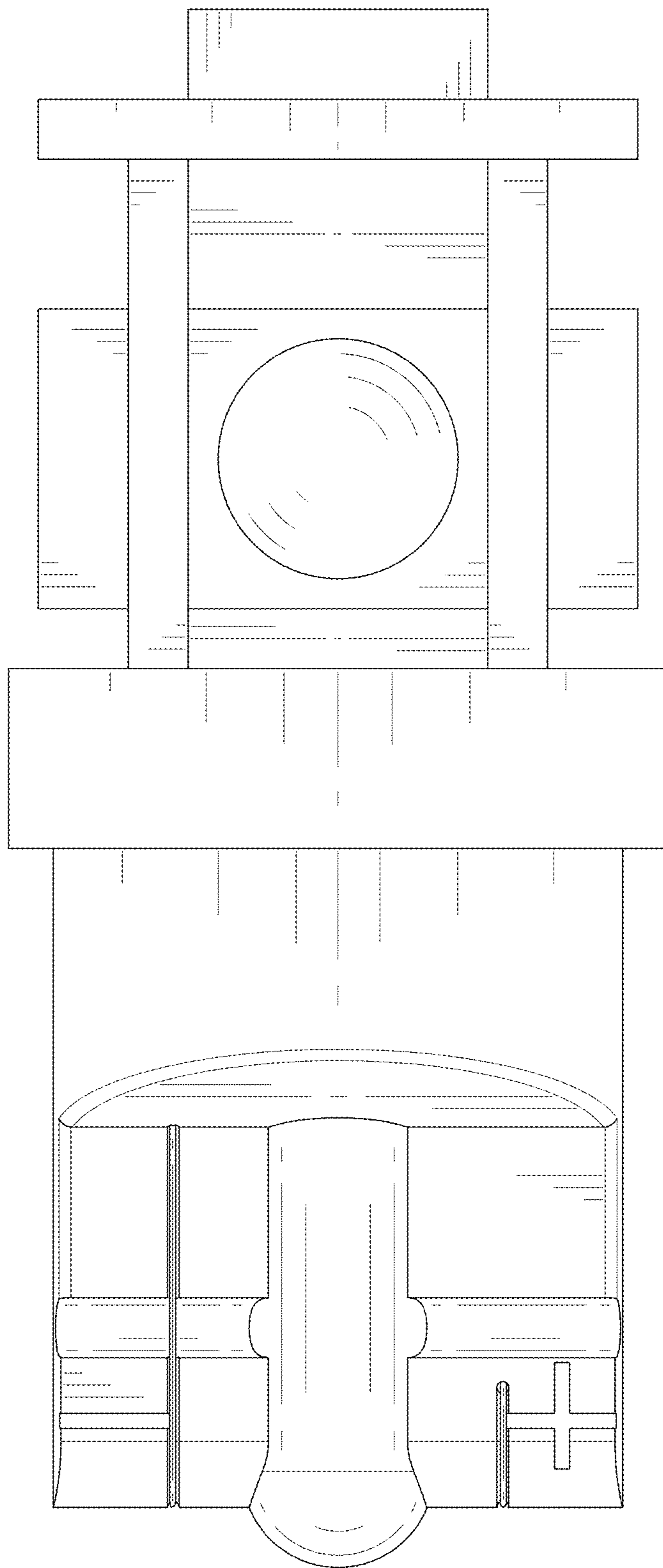


FIG. 3

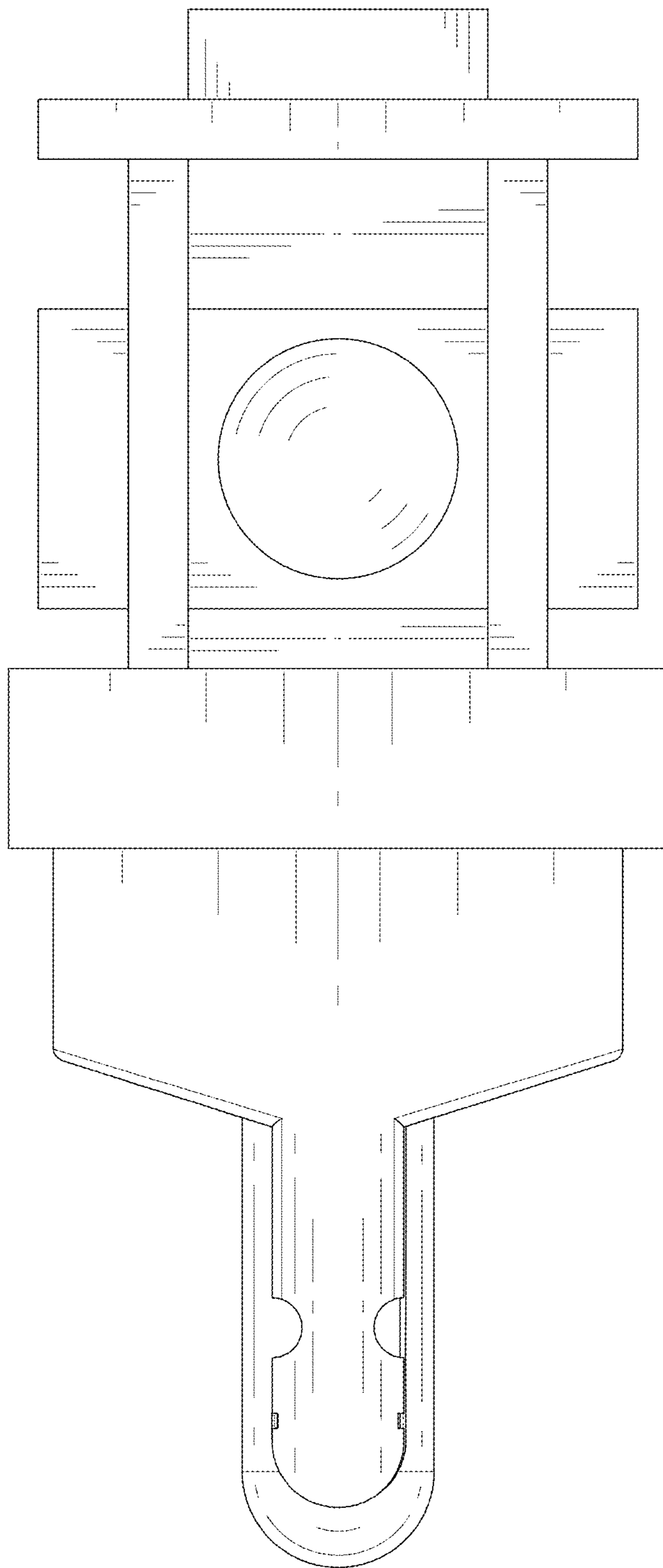


FIG. 4

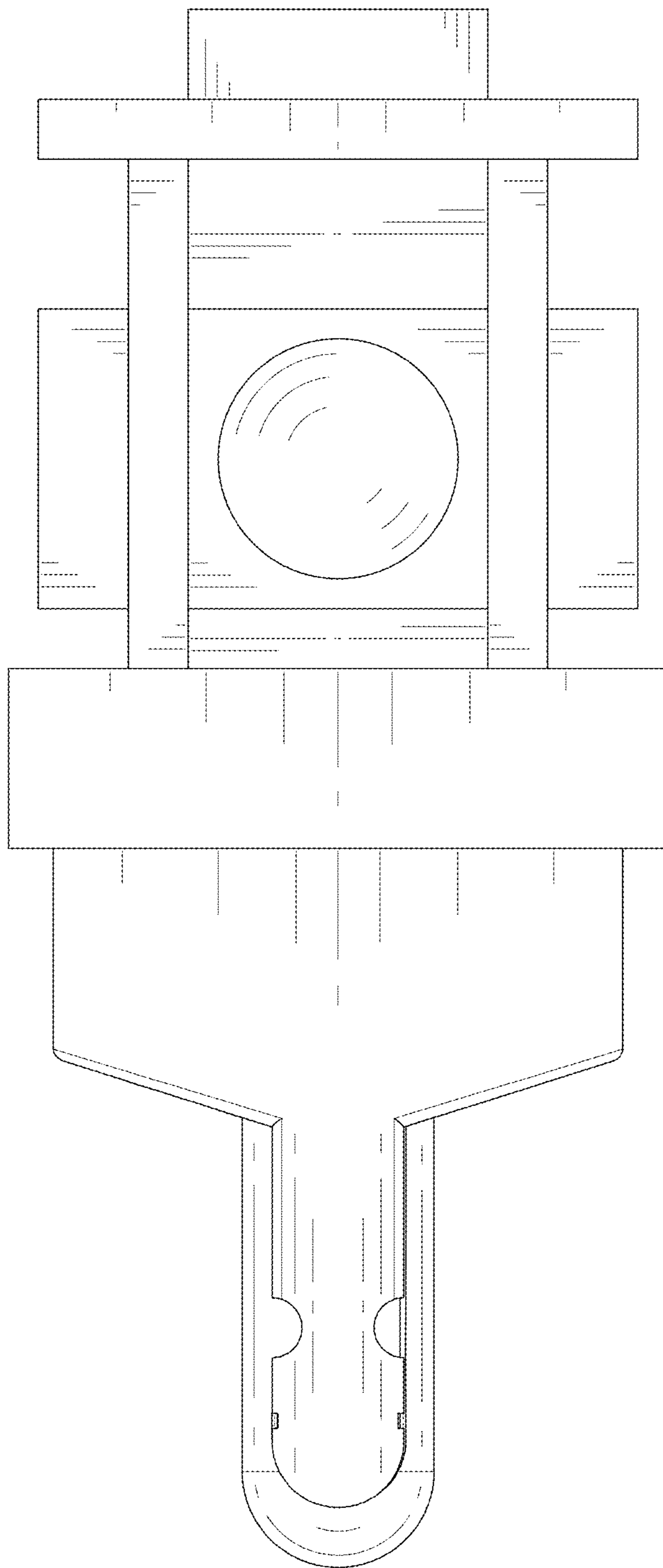


FIG. 5

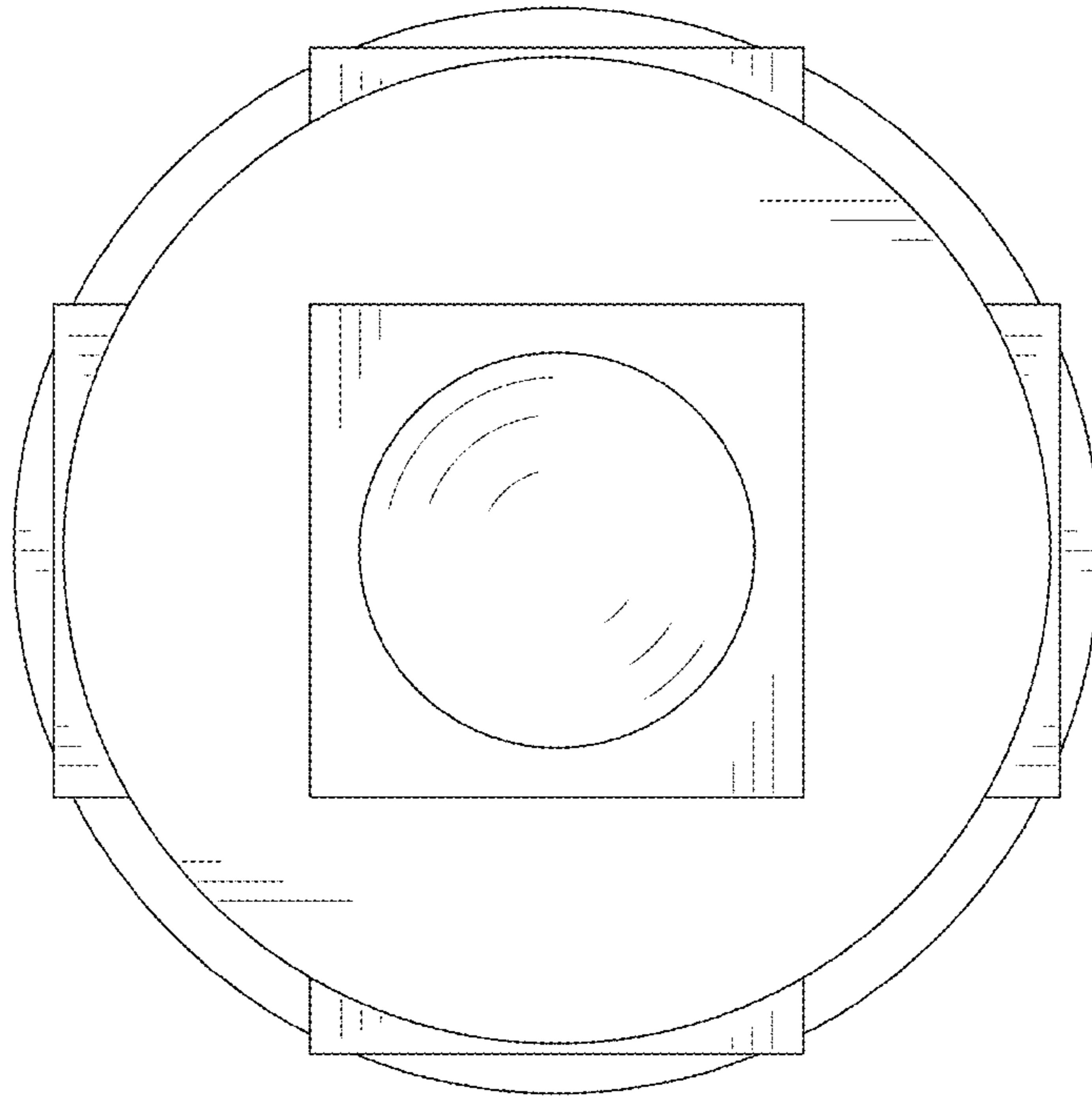


FIG.6

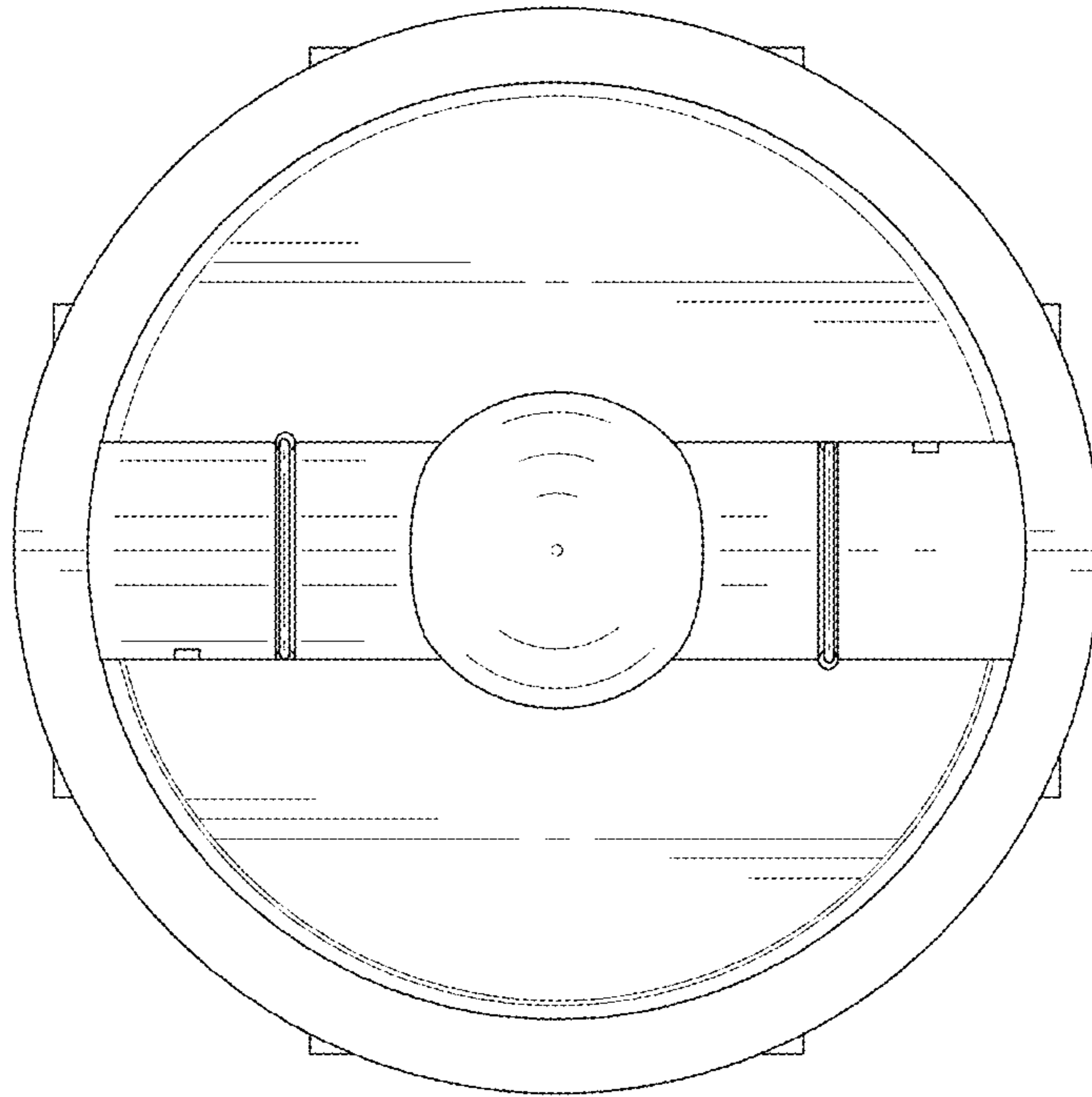


FIG. 7