



US00D912283S

(12) **United States Design Patent**
Fisher

(10) **Patent No.:** **US D912,283 S**

(45) **Date of Patent:** **** Mar. 2, 2021**

(54) **HEADLIGHT FOR A VEHICLE**

(71) Applicant: **Polaris Industries Inc.**, Medina, MN
(US)

(72) Inventor: **Cameron D. Fisher**, Plymouth, MN
(US)

(73) Assignee: **Polaris Industries Inc.**, Medina, MN
(US)

(**) Term: **15 Years**

(21) Appl. No.: **29/718,172**

(22) Filed: **Dec. 20, 2019**

(51) **LOC (13) Cl.** **26-06**

(52) **U.S. Cl.**
USPC **D26/28**

(58) **Field of Classification Search**
USPC D26/28-36, 139
CPC F21S 48/00; F21S 48/10; F21S 48/115;
F21S 48/225; F21S 48/1233; F21S
48/1266; F21S 48/1388; F21S 48/2268;
F21V 21/04; F21V 29/004; B60Q 9/13;
B60Q 9/135; B60Q 9/1375; F21W
2107/17; F21W 2107/13; F21W 2104/00;
F21W 2103/55; F21W 2103/00
See application file for complete search history.

(56) **References Cited**

U.S. PATENT DOCUMENTS

D528,685 S *	9/2006	Yoshida	D26/28
D544,114 S *	6/2007	Ohta	D26/28
D708,366 S *	7/2014	Minamisawa	D26/28
D726,353 S *	4/2015	Yagihashi	D26/28
D745,717 S *	12/2015	Wu	D26/28
D745,723 S *	12/2015	Yoshida	D26/28
D795,476 S *	8/2017	Badstuebner	D26/28

D821,619 S *	6/2018	Amemiya	D26/28
D822,235 S *	7/2018	Lin	D26/28
D825,799 S *	8/2018	Haizuka	D26/28

* cited by examiner

Primary Examiner — Marcus A Jackson

(74) *Attorney, Agent, or Firm* — Harness, Dickey &
Pierce, P.L.C.

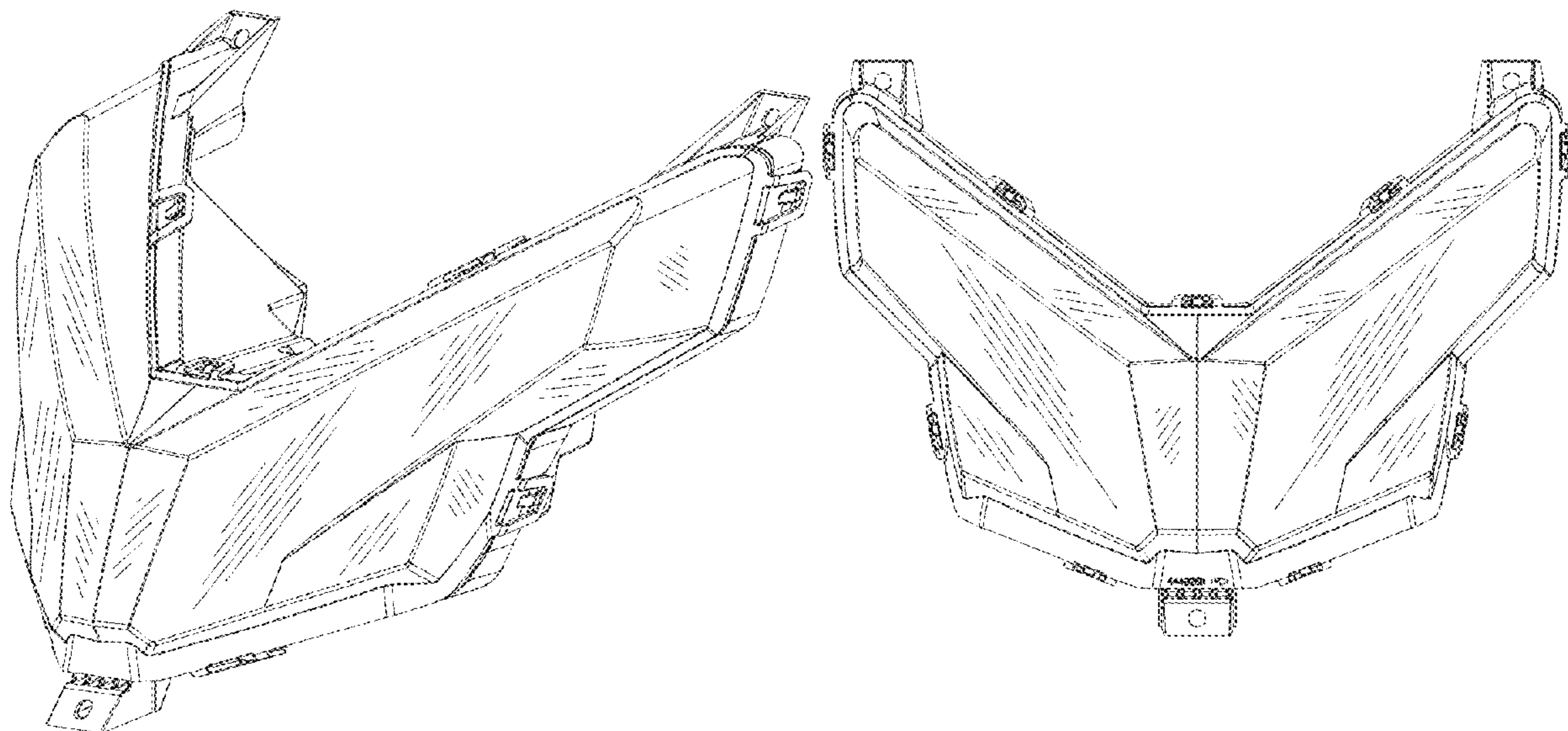
(57) **CLAIM**

The ornamental design for a headlight for a vehicle, as shown and described.

DESCRIPTION

FIG. 1 is a front perspective view of a headlight for a vehicle showing my new design, the headlight for a vehicle installed in an exemplary snowmobile that is not being claimed; FIG. 2 is a front elevation view thereof; FIG. 3 is a left elevation view thereof (the right elevation view is substantially similar to, or the same as, the right elevation view); FIG. 4 is a top plan view thereof; FIG. 5 is a front perspective view of the headlight for a vehicle apart from the exemplary snowmobile; FIG. 6 is a front elevation view of the headlight for a vehicle apart from the exemplary snowmobile; FIG. 7 is a left elevation view of the headlight for a vehicle apart from the exemplary snowmobile (the right elevation view is substantially similar to, or the same as, the right elevation view); and, FIG. 8 is a top plan view of the headlight for a vehicle apart from the exemplary snowmobile. Any broken lines in the figures are directed to environment and are for illustrative purposes only. The broken lines form no part of the claimed design.

1 Claim, 6 Drawing Sheets



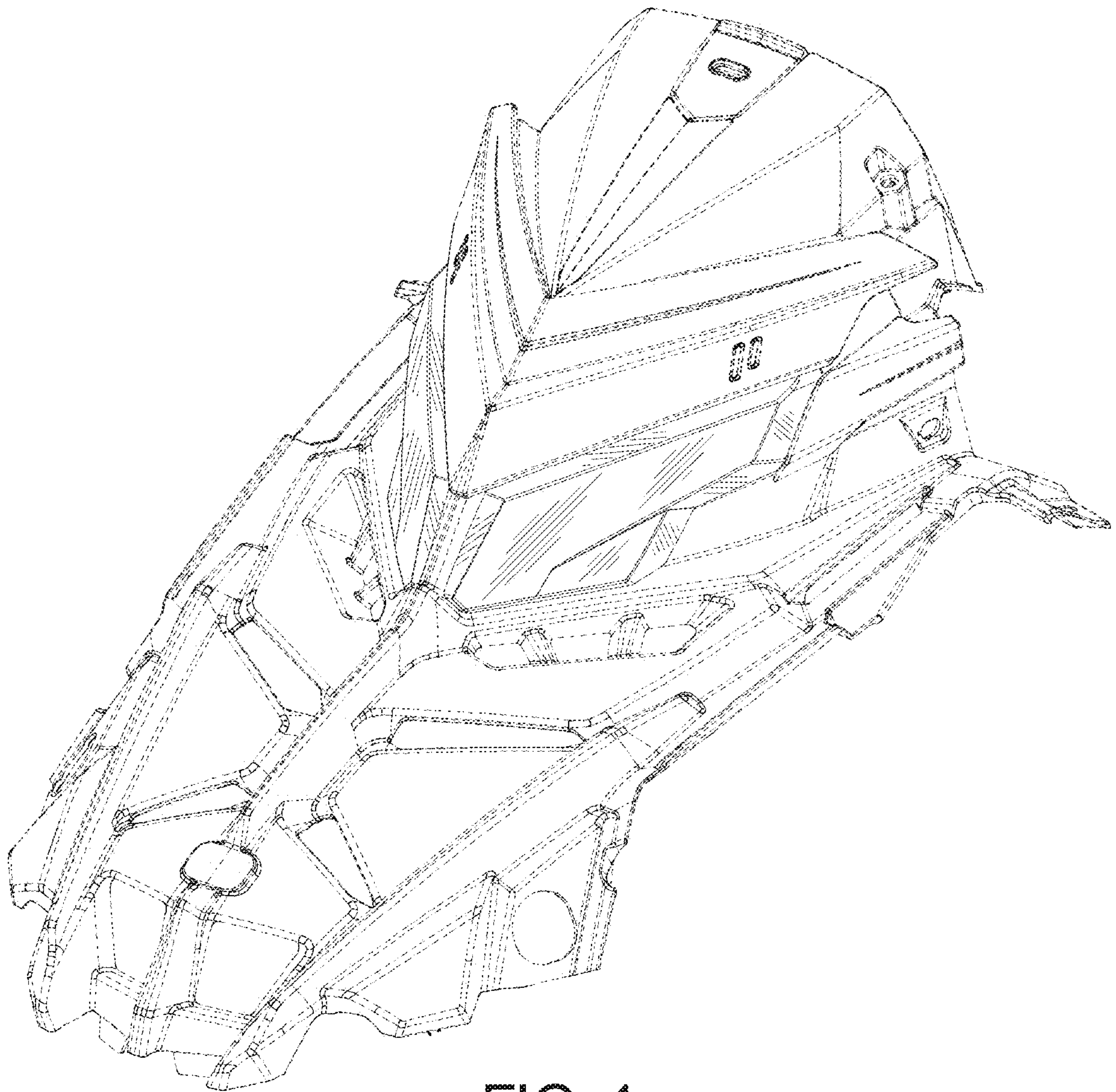


FIG. 1

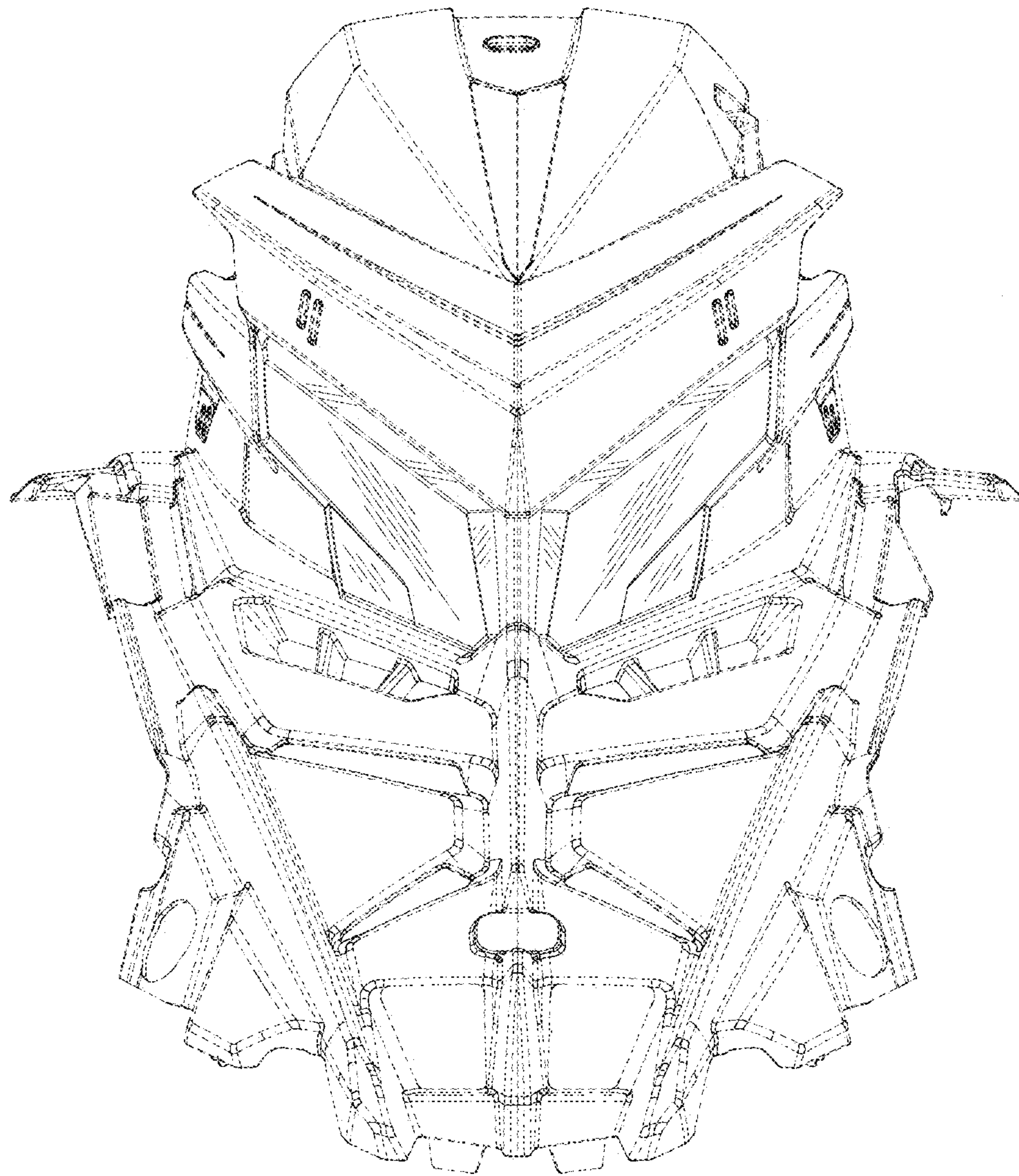
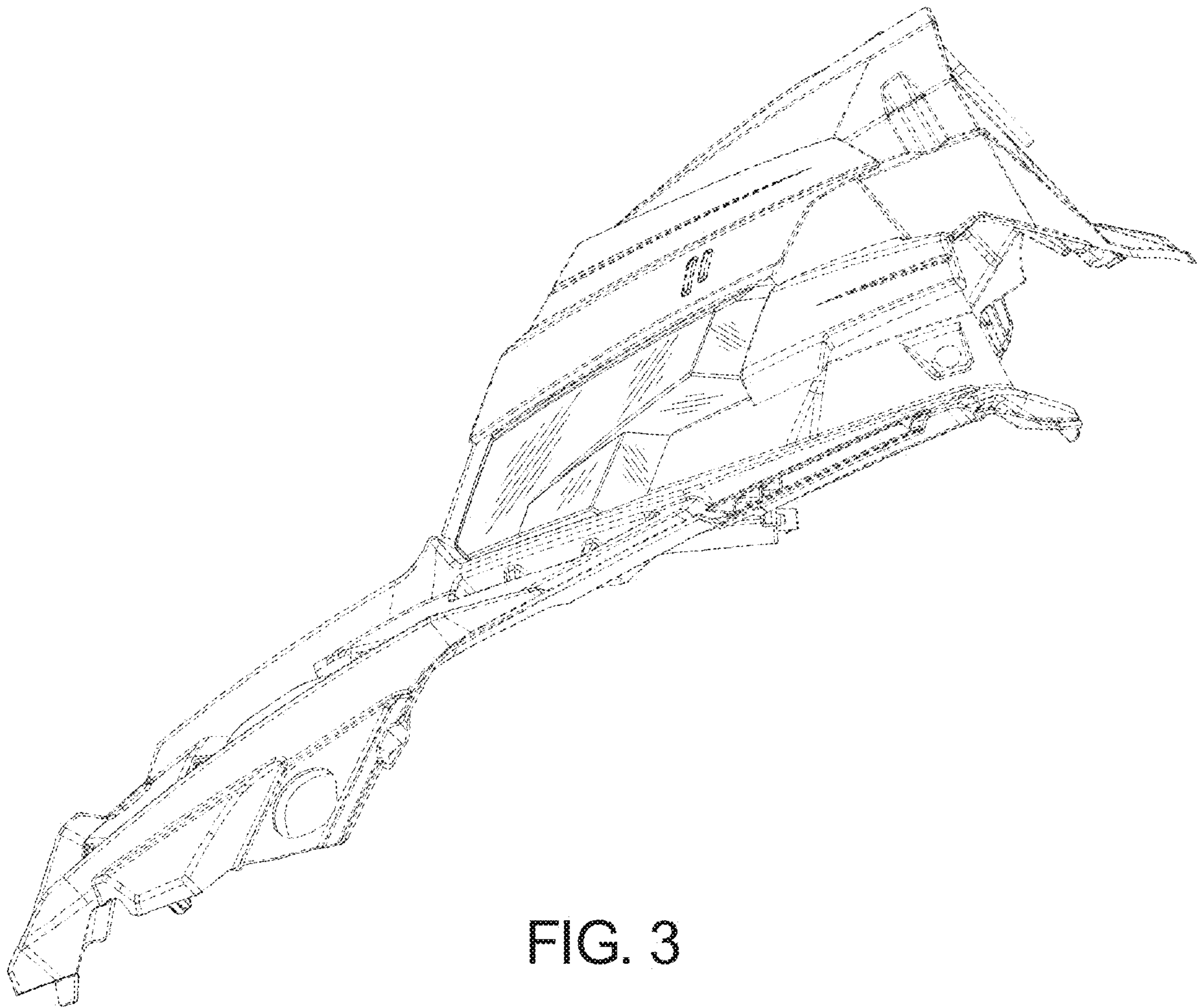


FIG. 2



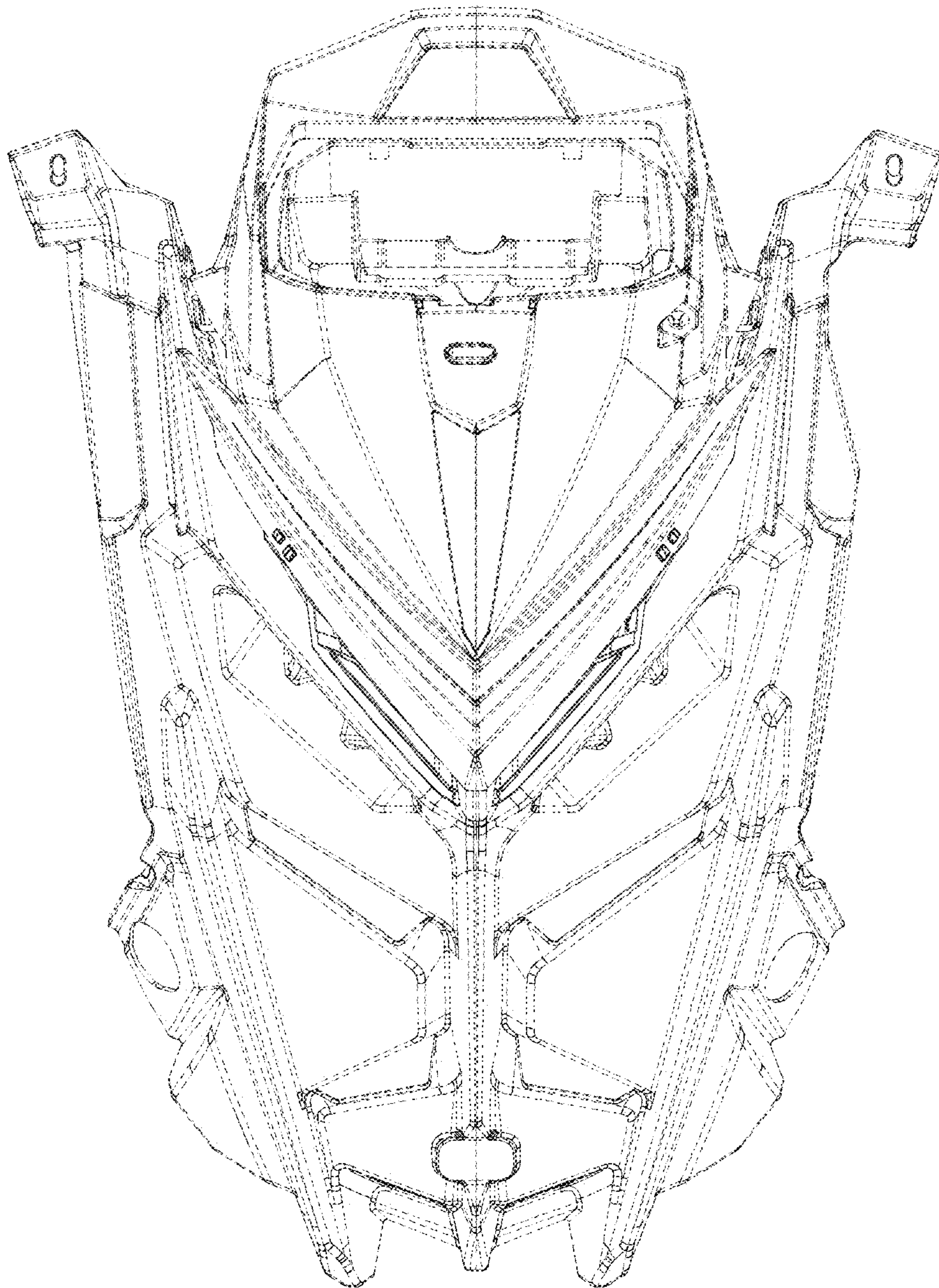


FIG. 4

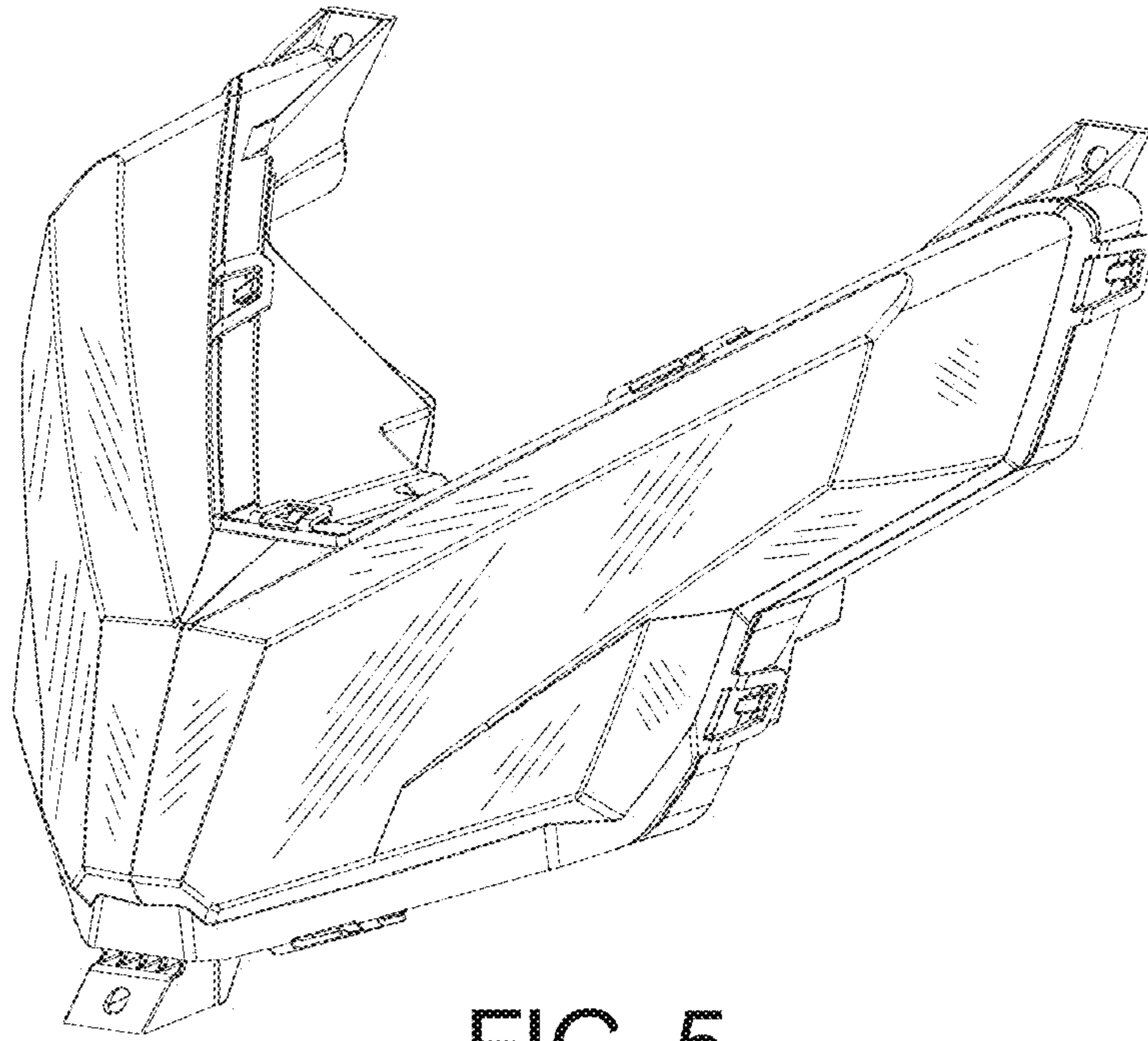


FIG. 5

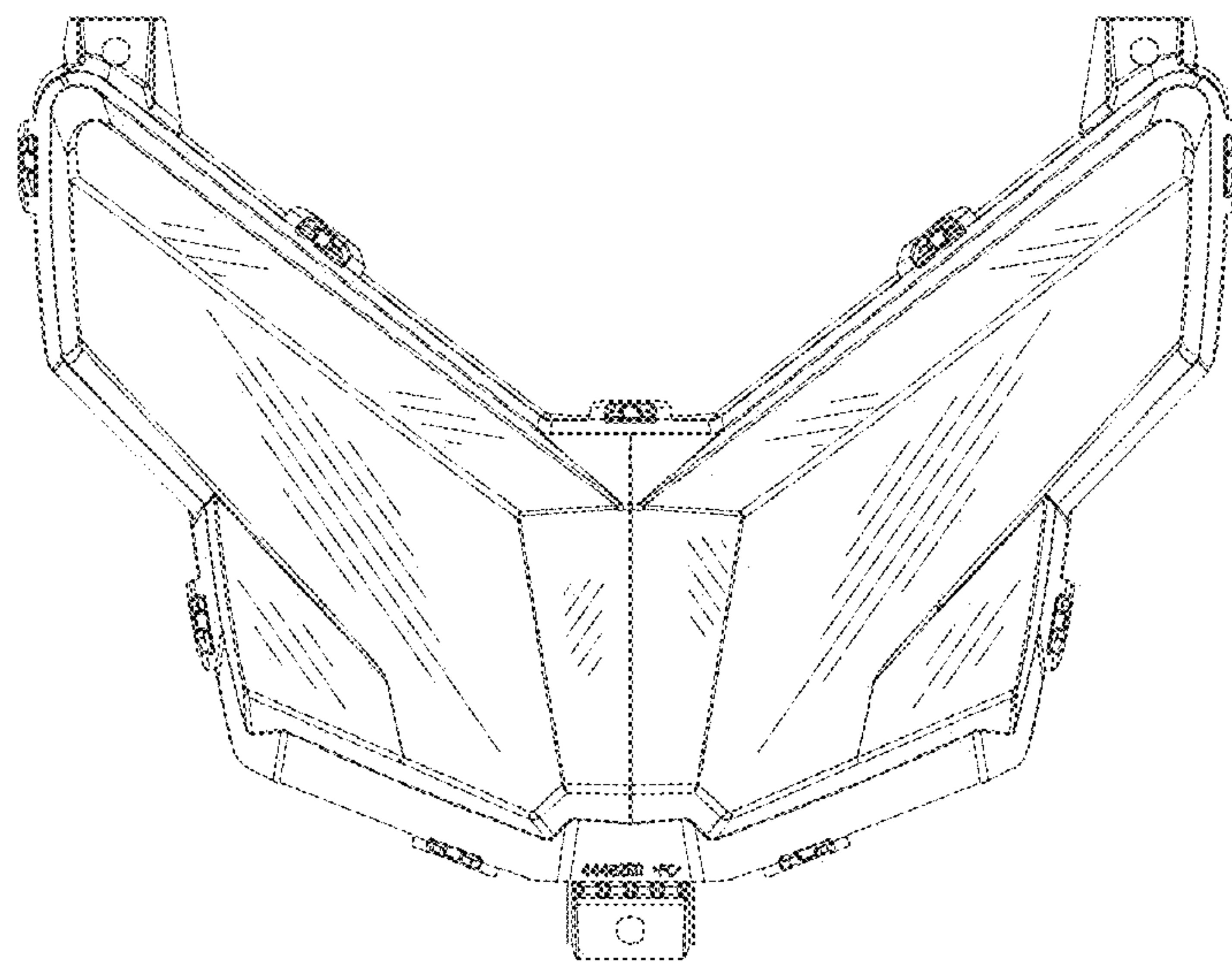


FIG. 6

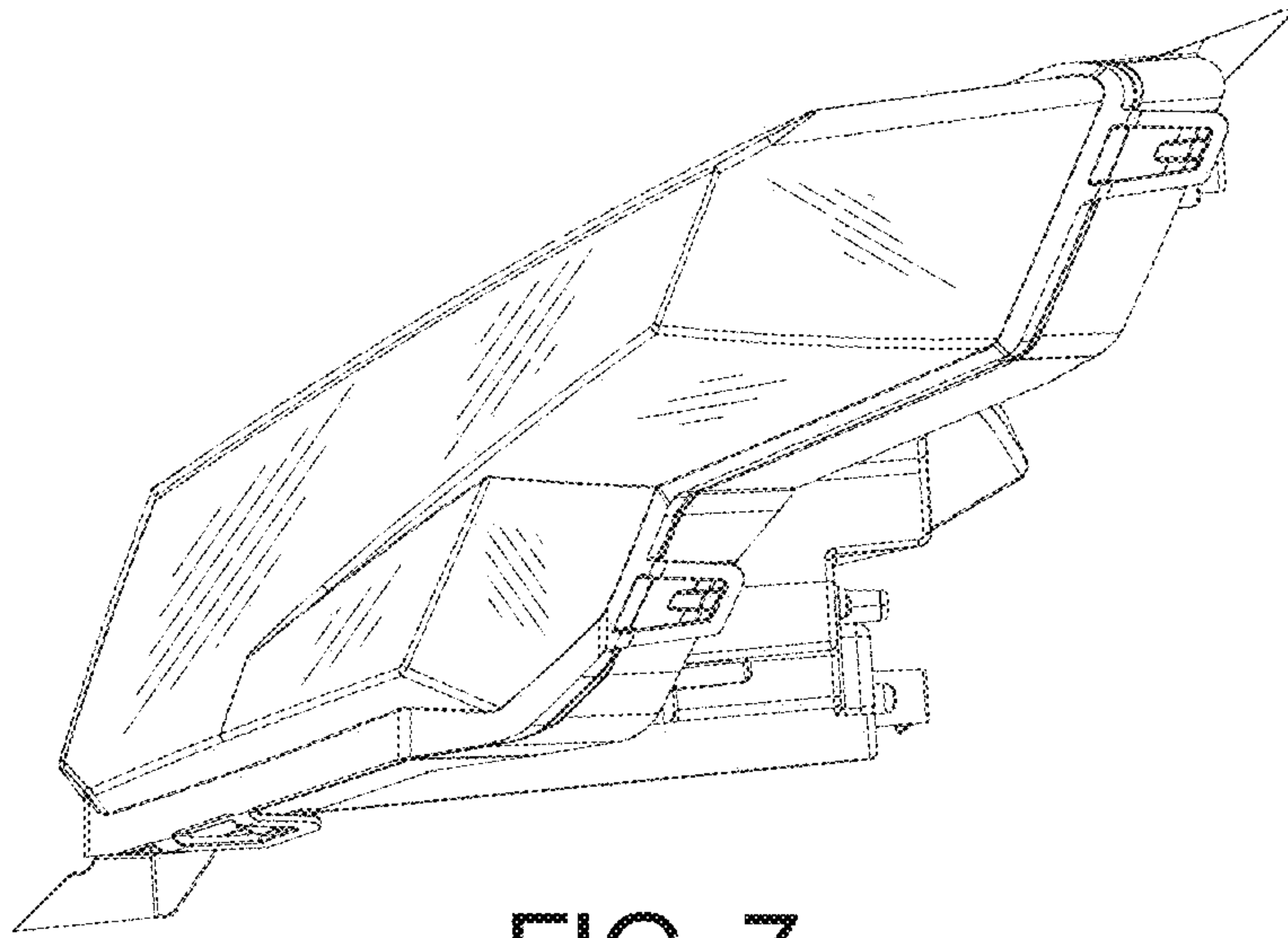


FIG. 7

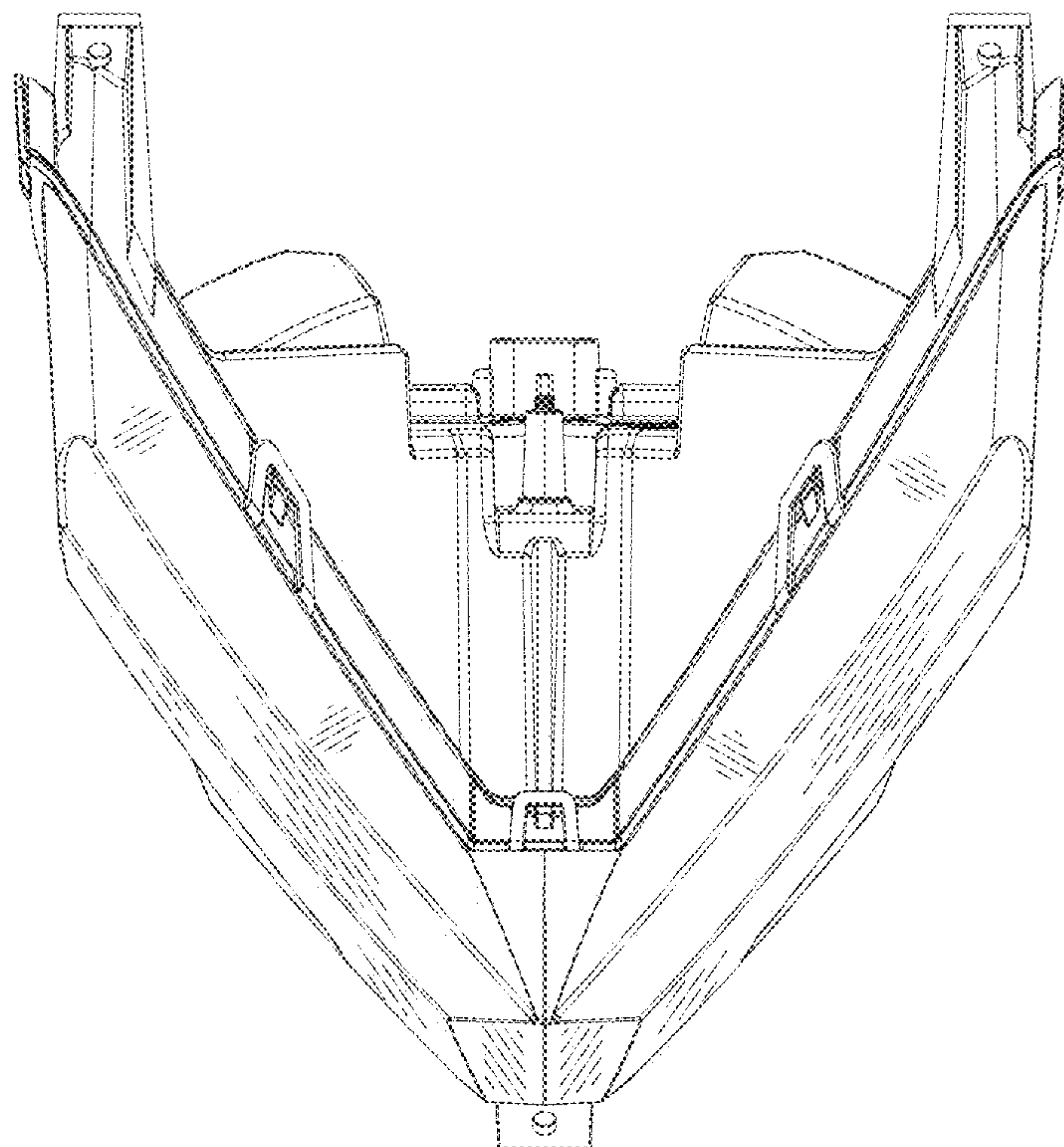


FIG. 8