



US00D912282S

(12) **United States Design Patent** (10) **Patent No.:** **US D912,282 S**
Kim (45) **Date of Patent:** **** Mar. 2, 2021**

- (54) **STAND FOR ELECTRONIC COMMUNICATIONS DEVICE**
- (71) Applicant: **SPIGEN KOREA CO., LTD.**, Seoul (KR)
- (72) Inventor: **Dae-Young Kim**, Seoul (KR)
- (73) Assignee: **SPIGEN KOREA CO., LTD.**, Seoul (KR)
- (**) Term: **15 Years**
- (21) Appl. No.: **29/700,225**
- (22) Filed: **Jul. 31, 2019**

Related U.S. Application Data

- (63) Continuation of application No. 29/545,824, filed on Nov. 16, 2015, now Pat. No. Des. 859,417.
- (51) **LOC (13) Cl.** **08-07**
- (52) **U.S. Cl.**
USPC **D26/28**
- (58) **Field of Classification Search**
USPC D14/447, 432, 434, 439, 440, 451, 452, D14/457, 239, 253; D8/363, 373, 380;
(Continued)

References Cited

U.S. PATENT DOCUMENTS

- D688,252 S * 8/2013 Paul D14/205
 - D692,898 S 11/2013 Luijben
- (Continued)

FOREIGN PATENT DOCUMENTS

- KR 30-0657929 S 8/2012
 - KR 30-0674054 S 12/2012
- (Continued)

OTHER PUBLICATIONS

“iRing Universal Masstige Ring Grip/Stand Holder for any Smart Device—Black,” http://www.amazon.com/iRing-Universal-Masstige-Holder-Device/dp/B00DUN9B9U/ref=cm_cr_arp_d_product_top?ie=UTF8, Earliest review date of Oct. 10, 2013, Downloaded Apr. 18, 2016, 7pages.

(Continued)

Primary Examiner — Angela J Lee

(74) *Attorney, Agent, or Firm* — Heedong Chae; Lucem, PC

(57) **CLAIM**

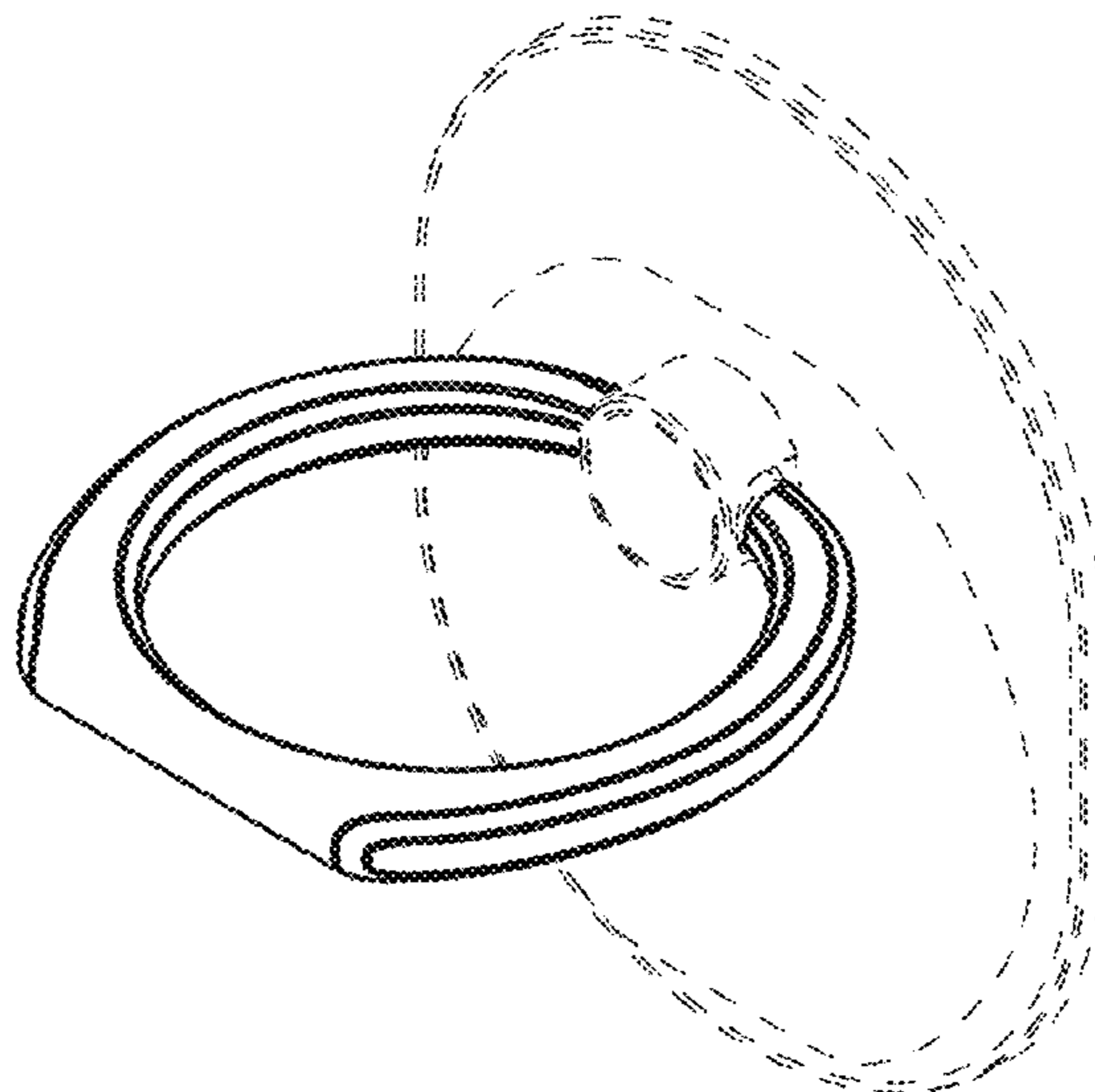
The ornamental design for a stand for electronic communications device, as shown and described.

DESCRIPTION

FIG. 1 is a front perspective view of a stand for electronic communications device showing my new design;
 FIG. 2 is a rear perspective view thereof;
 FIG. 3 is a front elevational view thereof;
 FIG. 4 is a rear elevational view thereof;
 FIG. 5 is a left side elevational view thereof;
 FIG. 6 is a right side elevational view thereof;
 FIG. 7 is a top plan view thereof;
 FIG. 8 is a bottom plan view thereof;
 FIG. 9 is a front perspective view of the stand with the kickstand rotated;
 FIG. 10 is a front perspective view of the stand with the kickstand in a closed position;
 FIG. 11 is another front perspective view of the stand with the kickstand in a closed position;
 FIG. 12 is a front perspective view of the stand illustrating the electronic device in broken lines; and,
 FIG. 13 is a front perspective view of the stand with the kickstand in a closed position illustrating the electronic device in broken lines.

The broken lines depict environmental subject matter and portions of the stand for electronic communications device that form no part of the claimed design.

1 Claim, 13 Drawing Sheets



(58) **Field of Classification Search**

USPC D6/406.3, 406.4, 406.5, 406.6; D12/415;
D13/108
CPC A47B 21/04; A47B 2097/006; A47B
2097/005; A47B 2023/049; A45C
2011/002; A45C 2011/003; F16M
2200/00; F16M 13/00
See application file for complete search history.

(56) **References Cited**

U.S. PATENT DOCUMENTS

D719,959 S 12/2014 Vogel
D723,573 S 3/2015 Padro
D725,660 S 3/2015 Trotsky
D726,193 S 4/2015 Kim et al.
D726,704 S 4/2015 Park et al.
D726,732 S 4/2015 Lay et al.
D735,210 S 7/2015 Kim
D737,264 S 8/2015 Shamsadov
D739,857 S 9/2015 Lay
9,179,565 B2 11/2015 Cho
D747,321 S 1/2016 London et al.
D748,639 S 2/2016 Khodapanah
D749,083 S * 2/2016 Senoff D14/451
D749,559 S 2/2016 Senoff
D752,054 S 3/2016 Baumann et al.
D753,912 S * 4/2016 Spero A45C 13/20
D3/218
D756,366 S 5/2016 Floersch
9,397,717 B2 7/2016 Curran
9,421,920 B2 * 8/2016 Jang F16M 11/041
D765,549 S 9/2016 Khodapanah
D765,662 S 9/2016 Kang
D768,635 S * 10/2016 Due D14/432
D773,325 S 12/2016 Browning
D775,619 S 1/2017 Tien
D782,488 S * 3/2017 Kim D14/447
D782,489 S * 3/2017 Kim D14/447
D794,607 S 8/2017 Srour
D806,085 S 12/2017 Nelson et al.
D807,349 S 1/2018 Lee
D809,449 S * 2/2018 Zhang D12/415

D811,412 S 2/2018 McCurdy
D812,563 S 3/2018 Akana et al.
D814,476 S 4/2018 Roberts et al.
D819,645 S 6/2018 Roberts et al.
D824,911 S 8/2018 London et al.
D825,572 S * 8/2018 Kim D14/447
D829,722 S * 10/2018 Kim D14/447
10,117,505 B1 * 11/2018 Alvarez A45F 5/00
D839,191 S 1/2019 Akana et al.
D844,598 S * 4/2019 Jang D14/251
10,278,299 B2 * 4/2019 Kim E05D 3/022
D855,048 S * 7/2019 Kim D14/253
D858,507 S * 9/2019 Jang D14/251
D859,417 S * 9/2019 Kim D14/447
D861,333 S * 10/2019 Feng D3/218
D861,334 S * 10/2019 Feng D3/218
2001/0040202 A1 11/2001 Acams, IV
2012/0048873 A1 3/2012 Hyseni
2013/0146625 A1 6/2013 Karle
2014/0166707 A1 6/2014 Leisey-Bartsch
2015/0009610 A1 1/2015 London
2015/0257288 A1 * 9/2015 Livernois F16M 11/38
248/346.06
2016/0134733 A1 5/2016 Murphy et al.
2017/0055660 A1 * 3/2017 Tien A45C 11/00
2017/0135234 A1 * 5/2017 Kim E05D 3/022
2017/0293207 A1 * 10/2017 Jeon F16M 11/32

FOREIGN PATENT DOCUMENTS

KR 10-1316363 B1 10/2013
KR 30-0718509 S 12/2013
KR 3007185090001 S 4/2014
KR 10-20140123649 A 10/2014
KR 30-0775347 S 12/2014
KR 20-0476134 Y1 2/2015

OTHER PUBLICATIONS

“iRing Universal Masstige Ring Grip/Stand Holder for any Smart Device—Black,” http://www.amazon.com/iRing-Universal-Masstige-Holder-Device/dp/B00DUN9B9U/ref=cm_cr_arp_d_product_top?ie=UTF8, Downloaded Apr. 18, 2016, 7pages.

* cited by examiner

FIG. 1

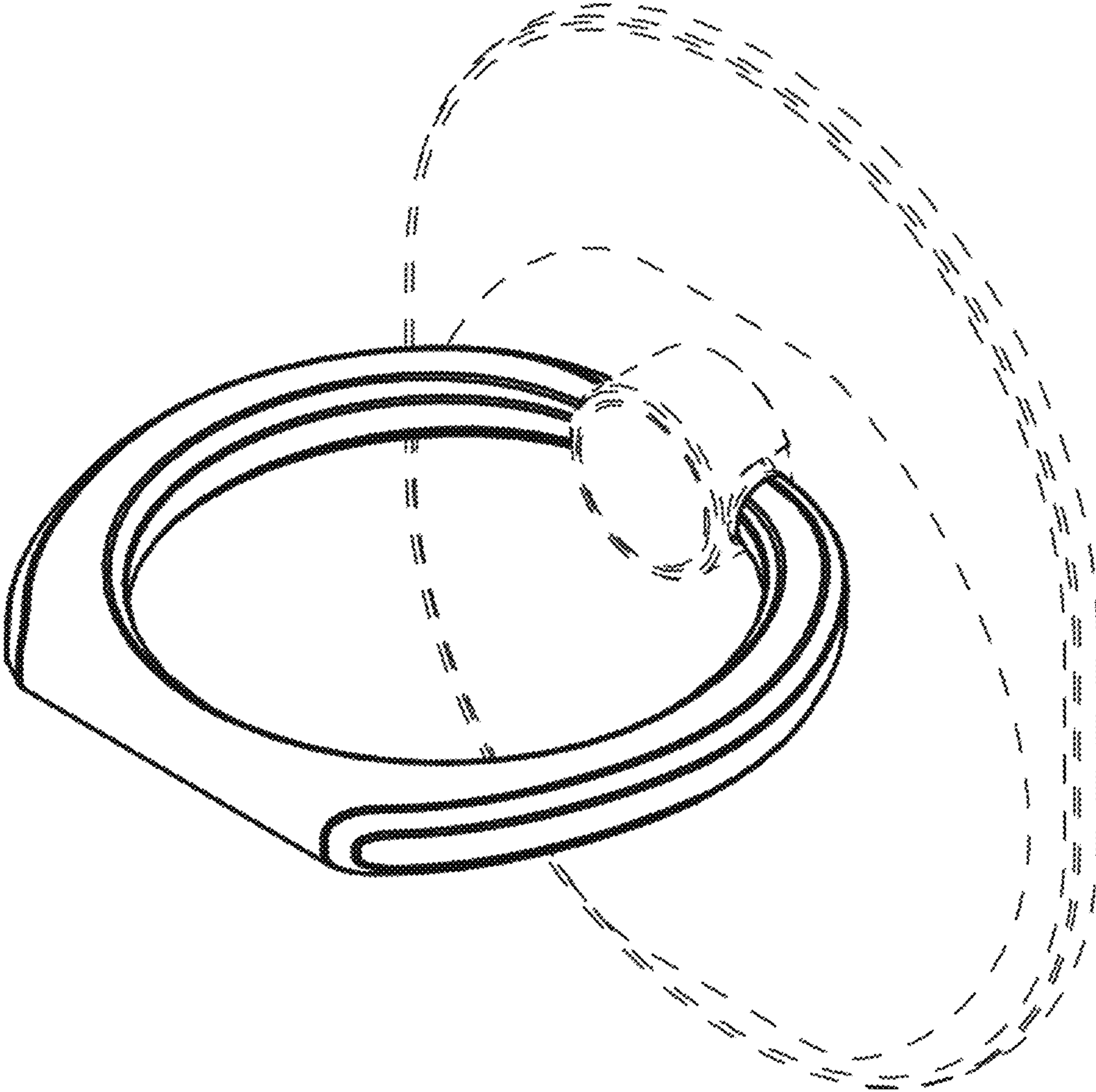


FIG. 2

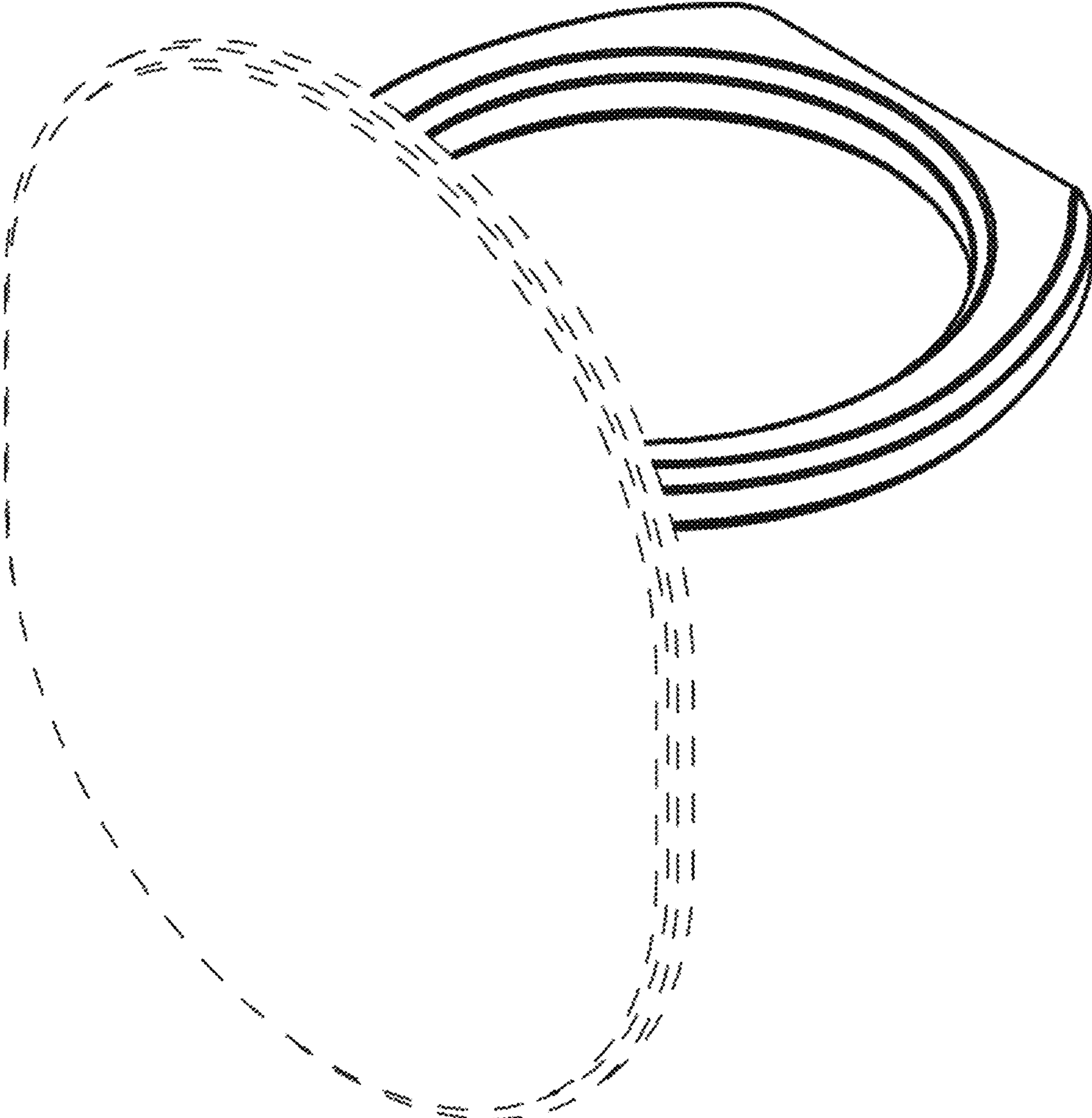


FIG. 3

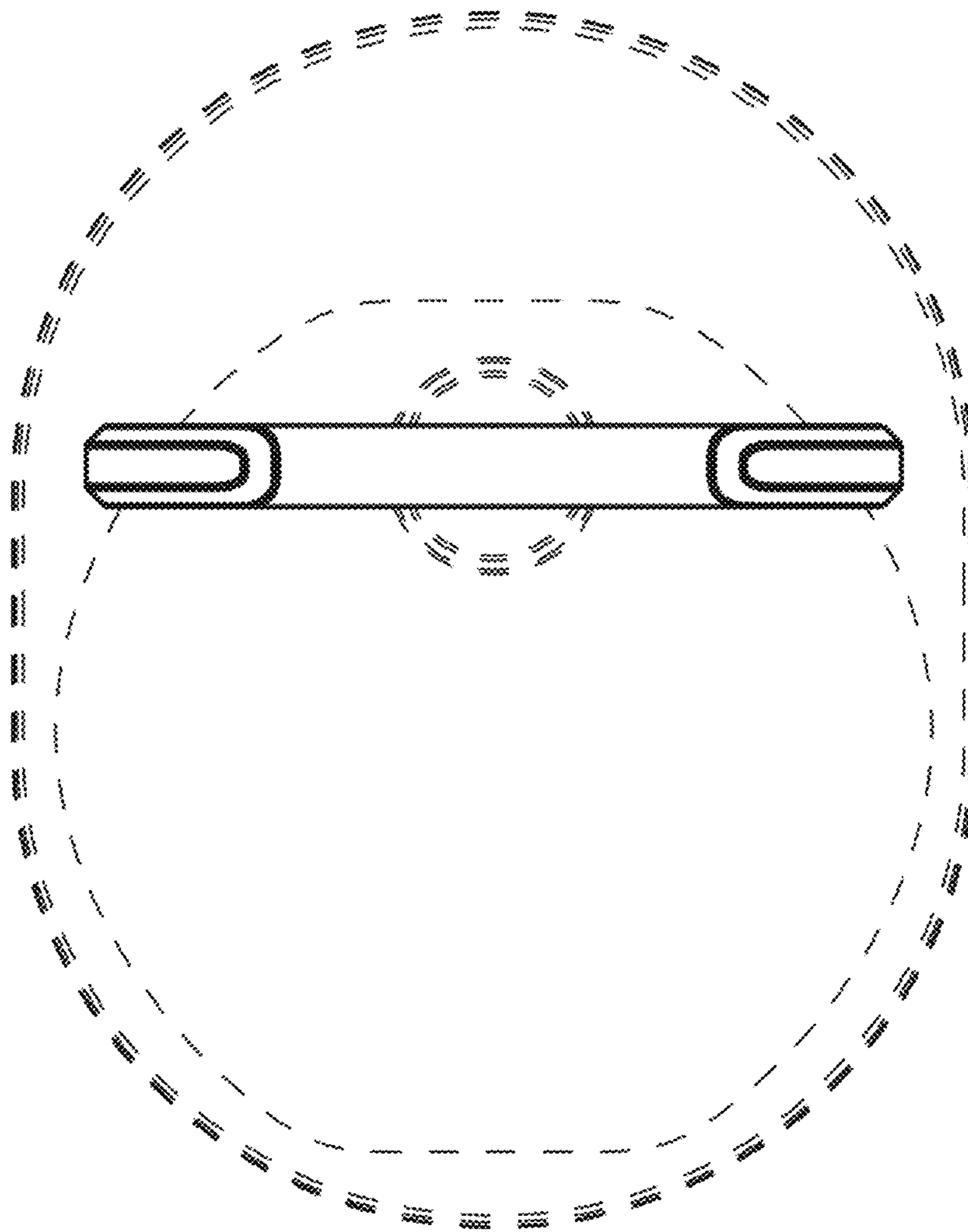


FIG. 4

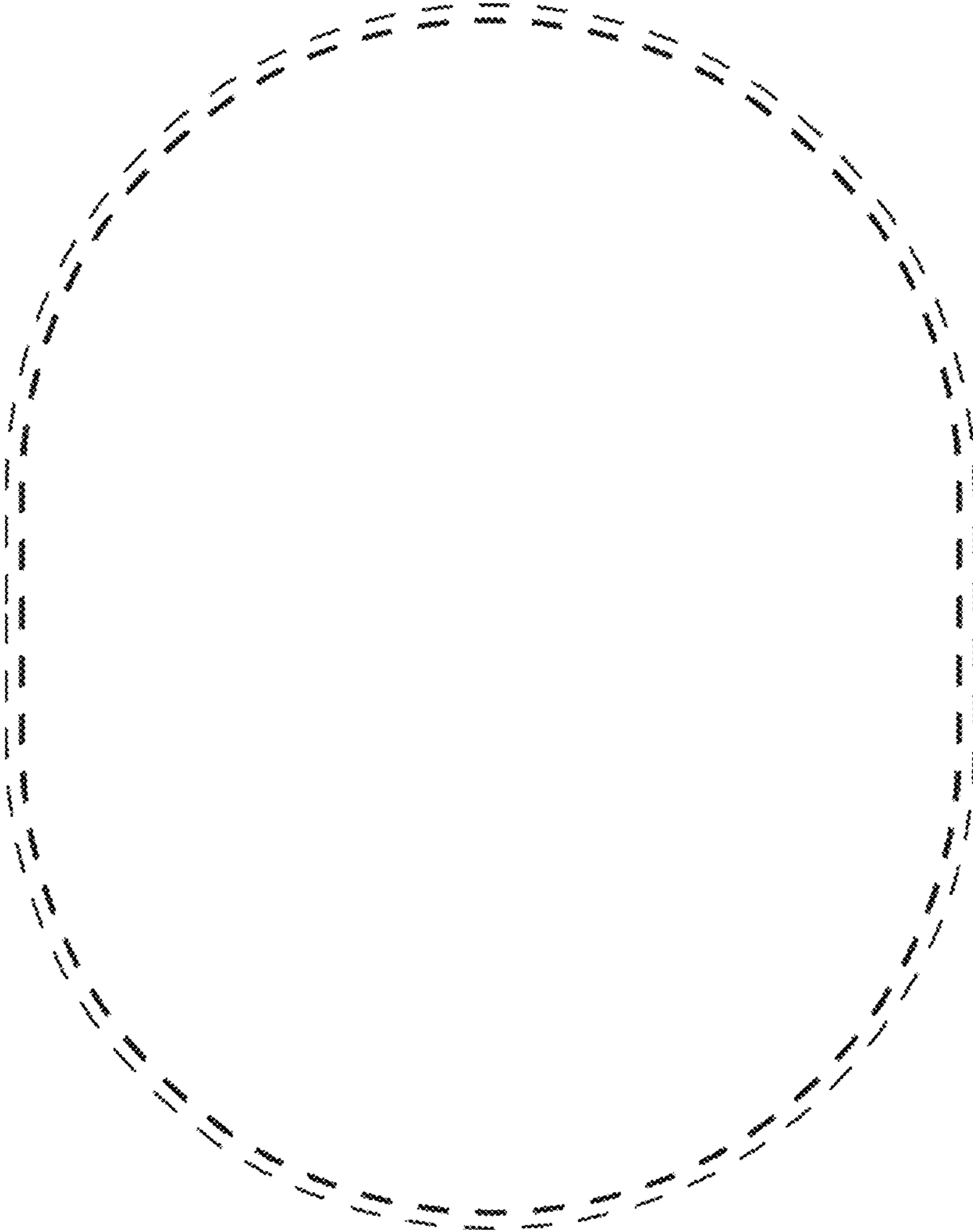


FIG. 5

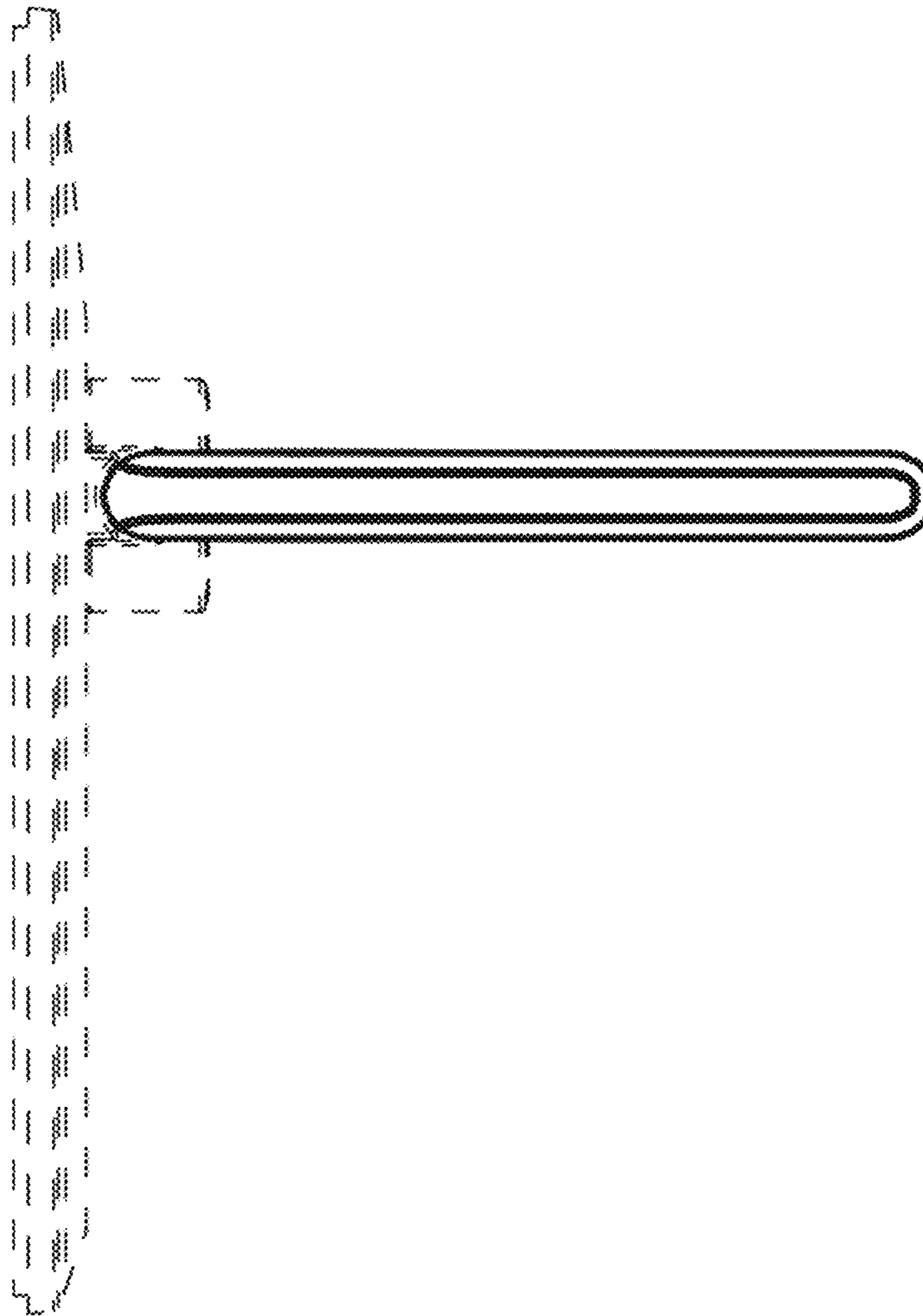


FIG. 6

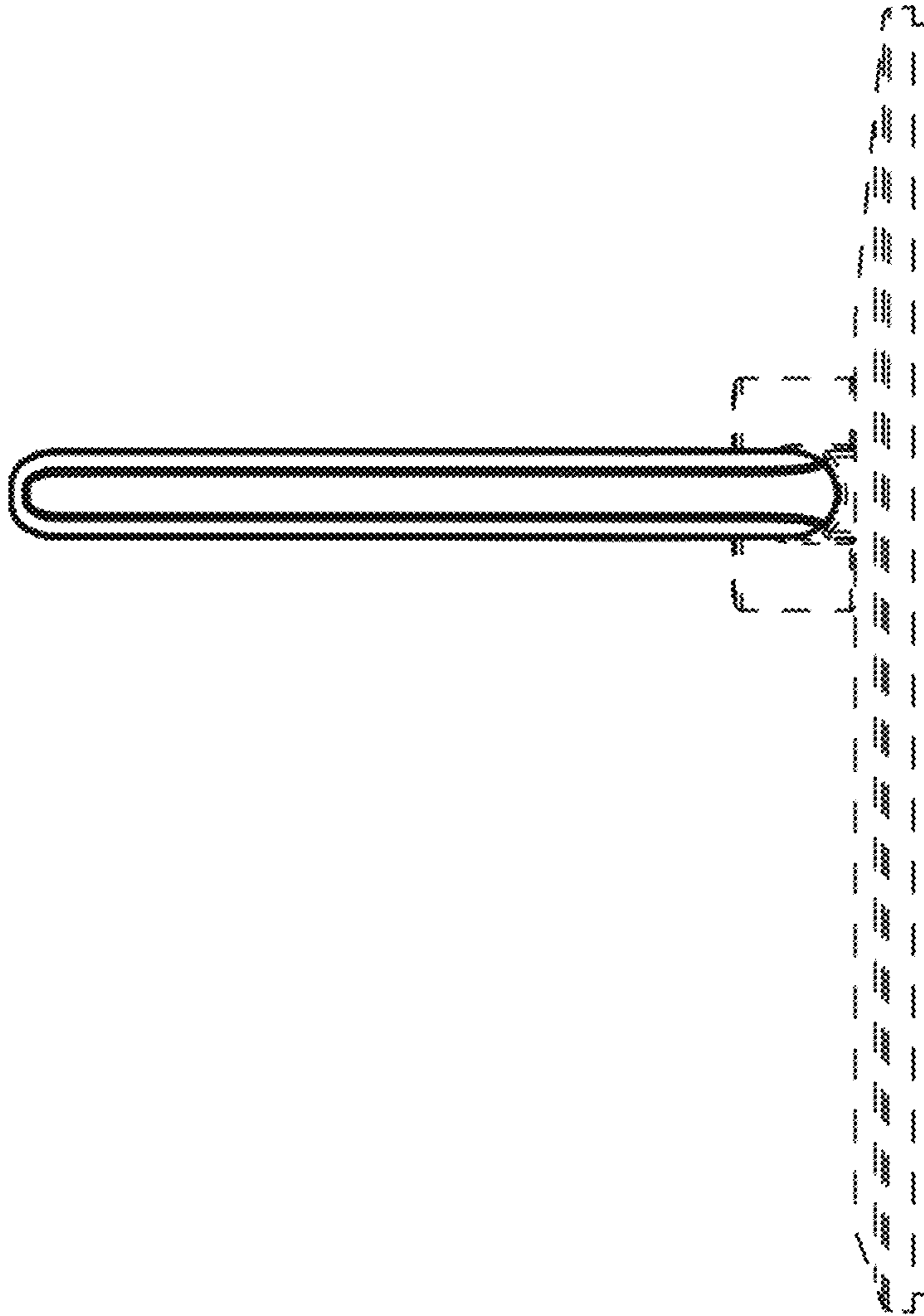


FIG. 7

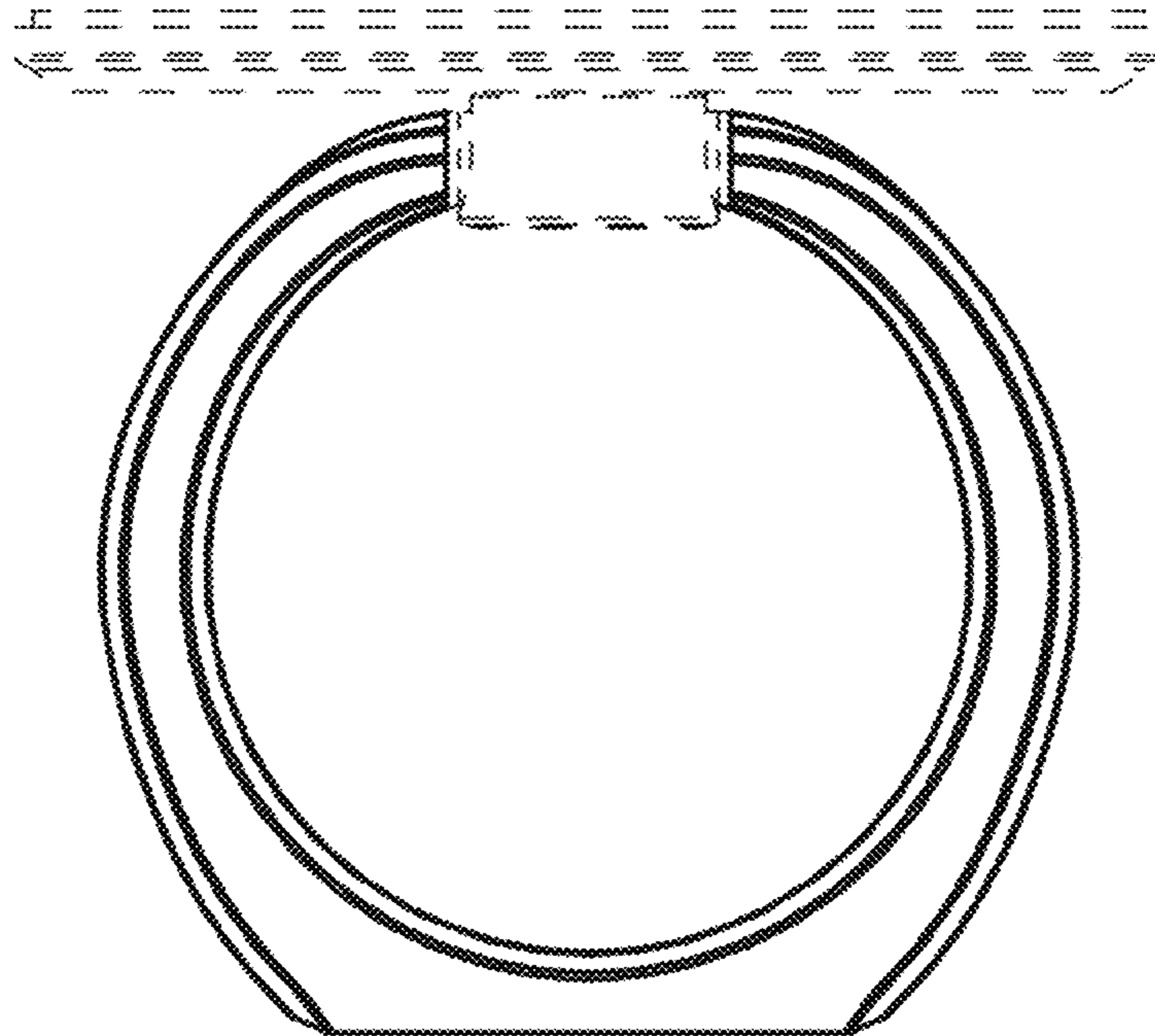


FIG. 8

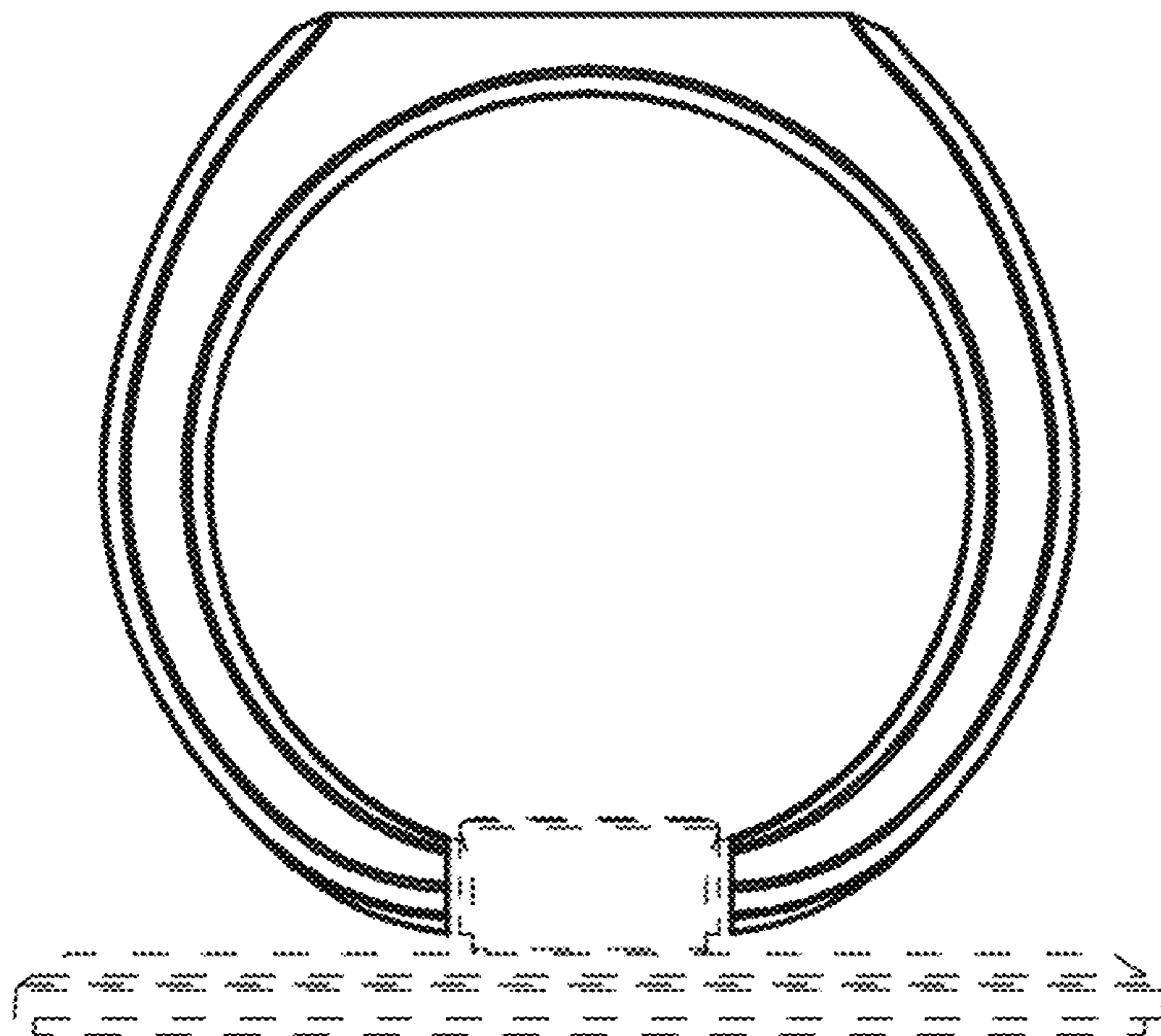


FIG. 9

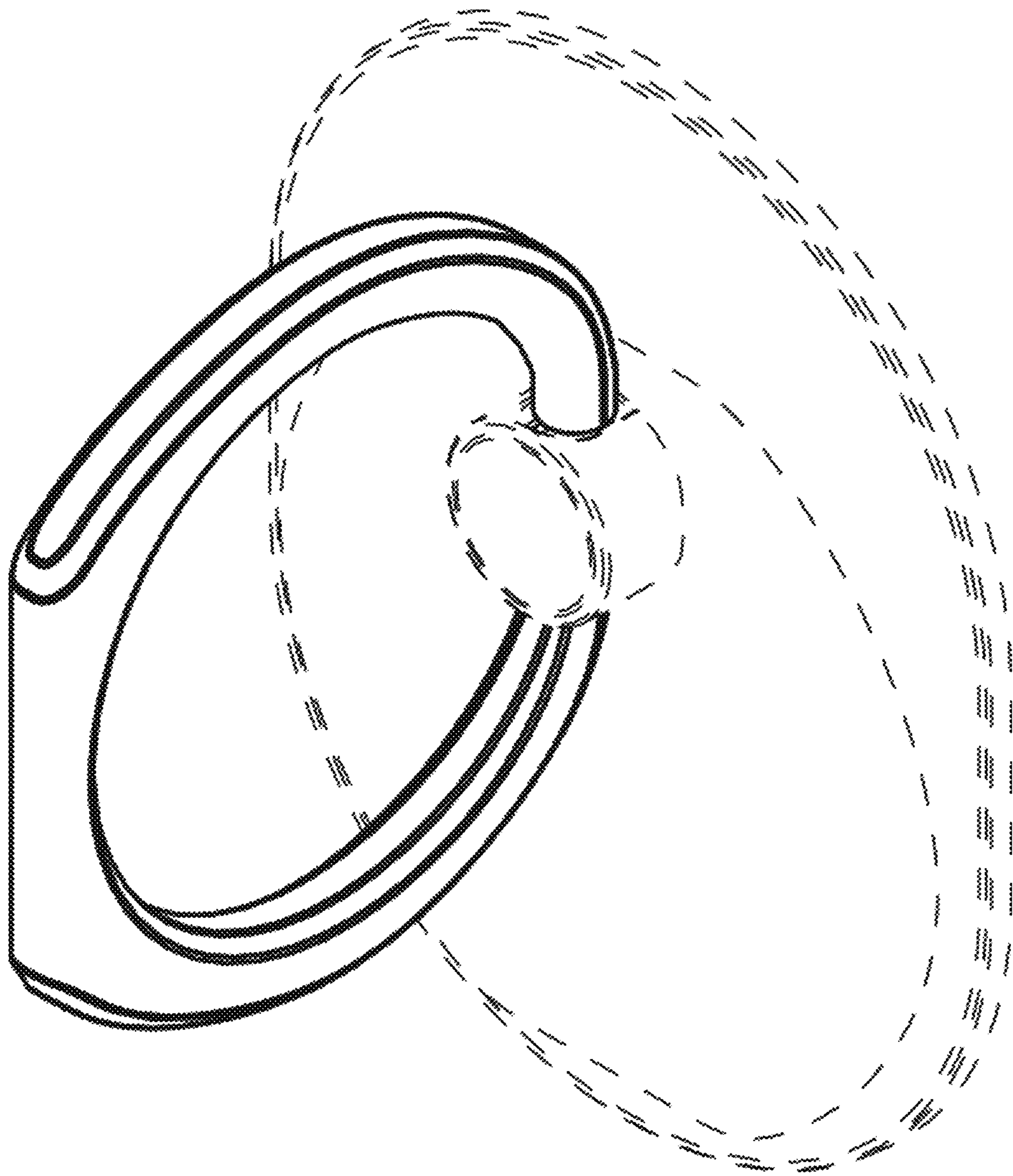


FIG. 10

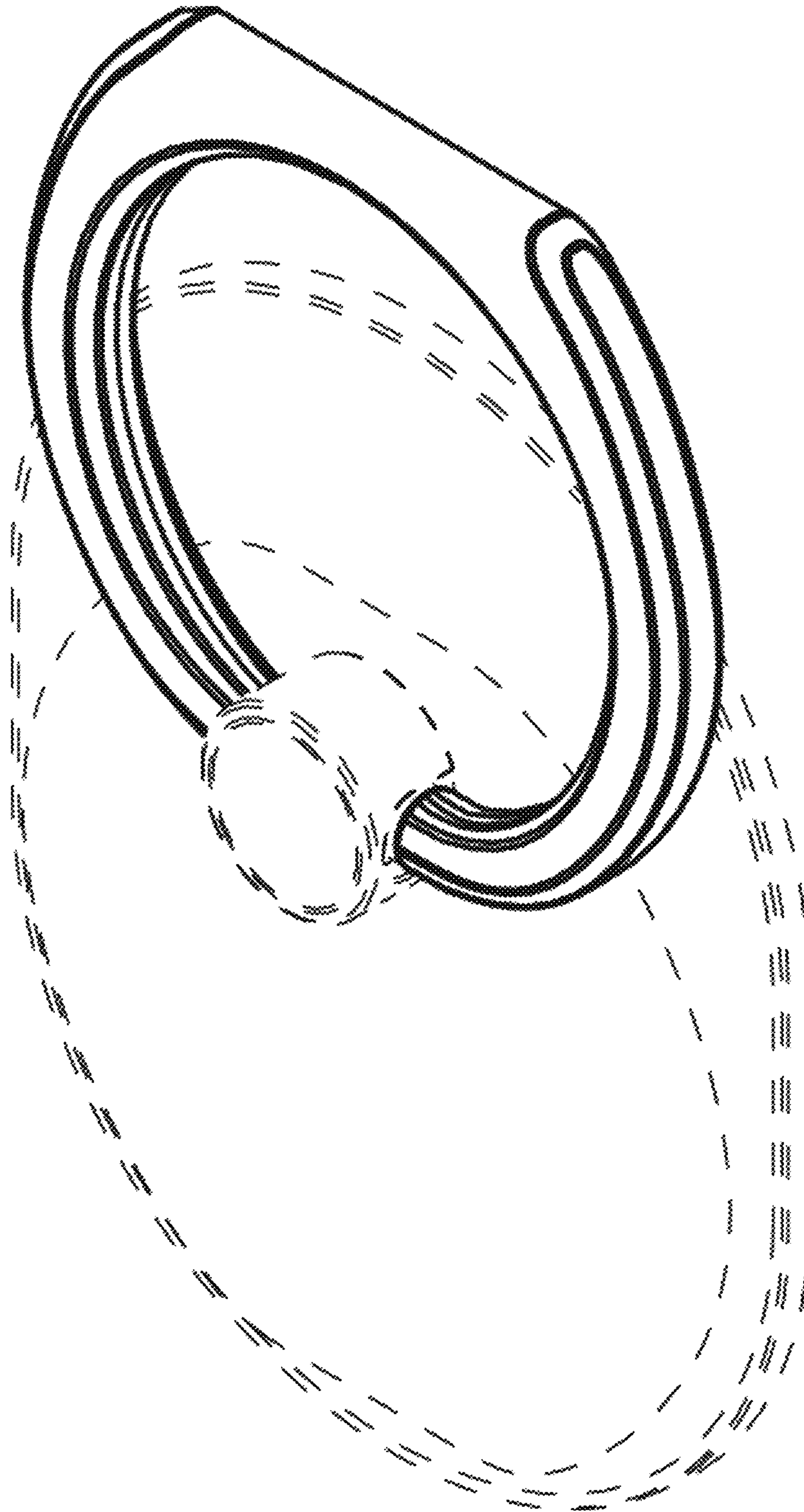


FIG. 11

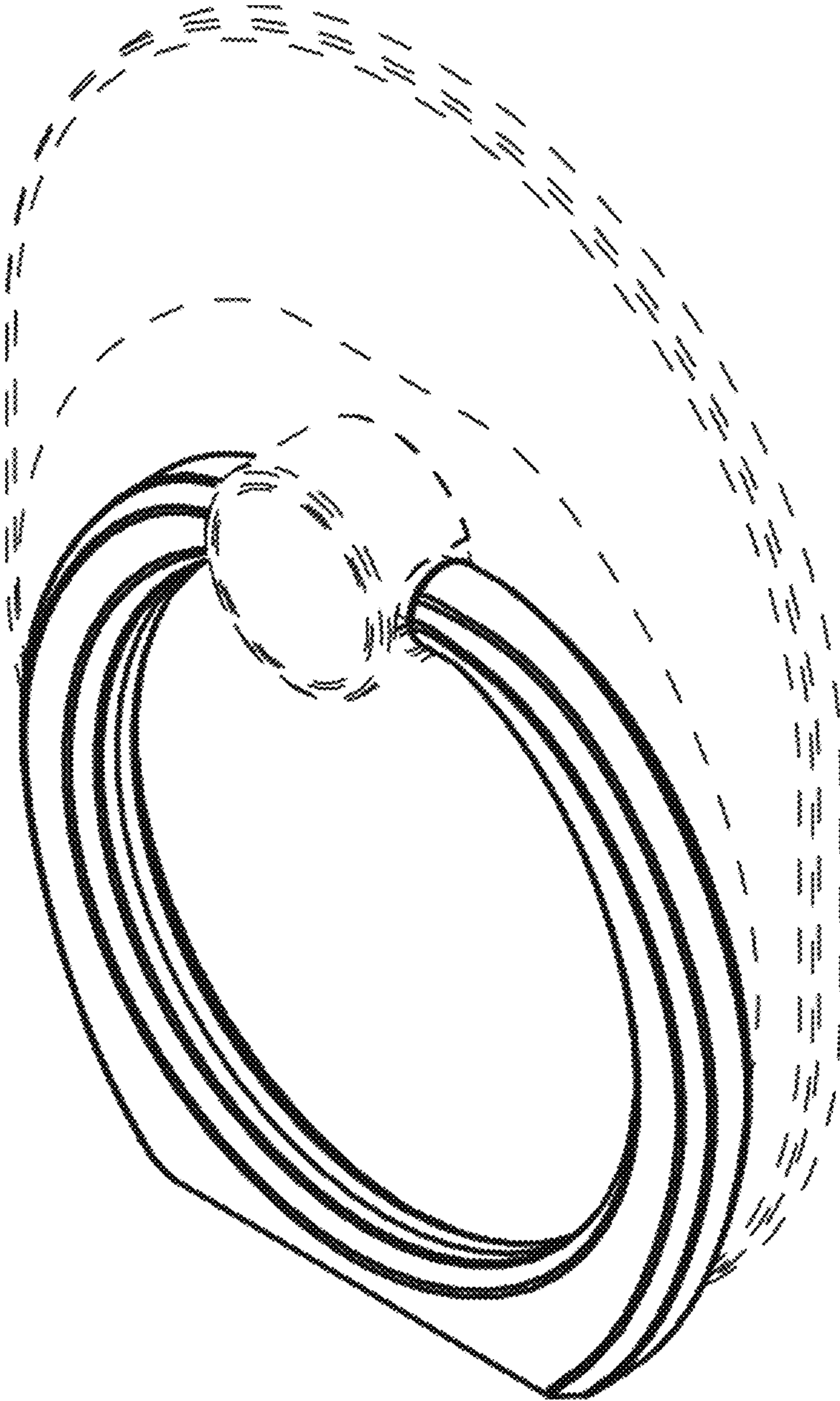


FIG. 12

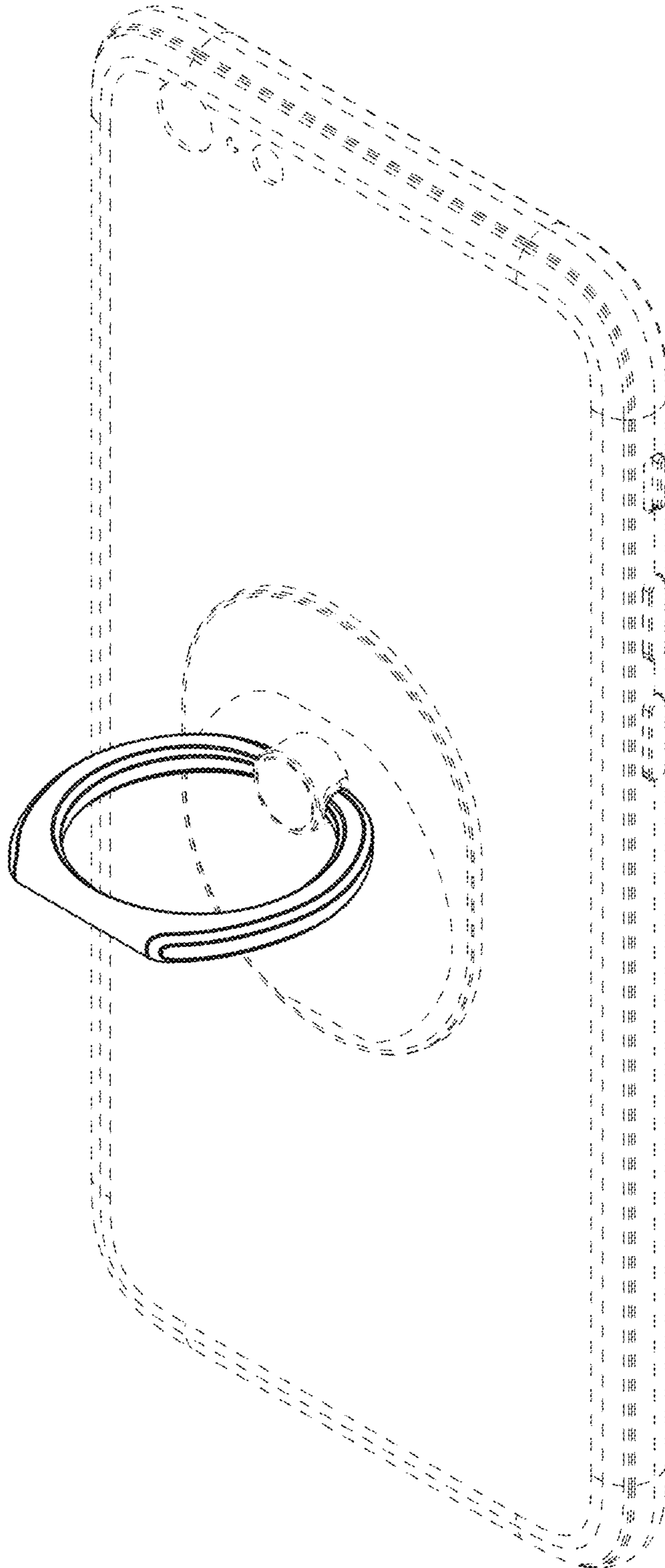


FIG. 13

