



US00D912278S

(12) **United States Design Patent**
Raine

(10) **Patent No.:** **US D912,278 S**

(45) **Date of Patent:** **** Mar. 2, 2021**

(54) **STAIR NOSING**

(71) Applicant: **STAIRRODS (UK) LTD**, Blackhill
(GB)

(72) Inventor: **John Raine**, Blackhill (GB)

(**) Term: **15 Years**

(21) Appl. No.: **29/656,920**

(22) Filed: **Jul. 17, 2018**

(30) **Foreign Application Priority Data**

Jan. 17, 2018 (GB) 6025251

(51) **LOC (13) Cl.** **25-04**

(52) **U.S. Cl.**
USPC **D25/68; D25/119**

(58) **Field of Classification Search**
USPC D25/119-125, 69, 164; 16/16, 7;
280/169; 52/179, 181, 741.2, DIG. 6,
52/273, 287.1, 717.05, 718.04, 177
CPC E04F 11/166; E04F 11/163; E04F 11/104;
E04F 11/116; E04F 11/16; E04F
2201/0107
See application file for complete search history.

(56) **References Cited**

U.S. PATENT DOCUMENTS

D541,437 S * 4/2007 Dempsey D25/122
D635,692 S * 4/2011 Wirthgen D25/119

D660,461 S * 5/2012 Kotin D25/119
D660,544 S * 5/2012 Onayama D25/119
D660,984 S * 5/2012 Kotin D25/119
D661,525 S * 6/2012 Watts D25/119
D685,503 S * 7/2013 Gardner D25/119
D757,303 S * 5/2016 Migeon D25/119
D764,075 S * 8/2016 Honda D25/119

* cited by examiner

Primary Examiner — Gino Colan

(74) *Attorney, Agent, or Firm* — Law Office of Jeff
Williams PLLC; J. Oliver Williams

(57) **CLAIM**

The ornamental design for a stair nosing, as shown.

DESCRIPTION

FIG. 1 is a front perspective view of a stair nosing according to the present application.

FIG. 2 is a front view of the stair nosing of FIG. 1.

FIG. 3 is a rear view of the stair nosing of FIG. 1.

FIG. 4 is an enlarged left view of the stair nosing of FIG. 1, shown in larger scale.

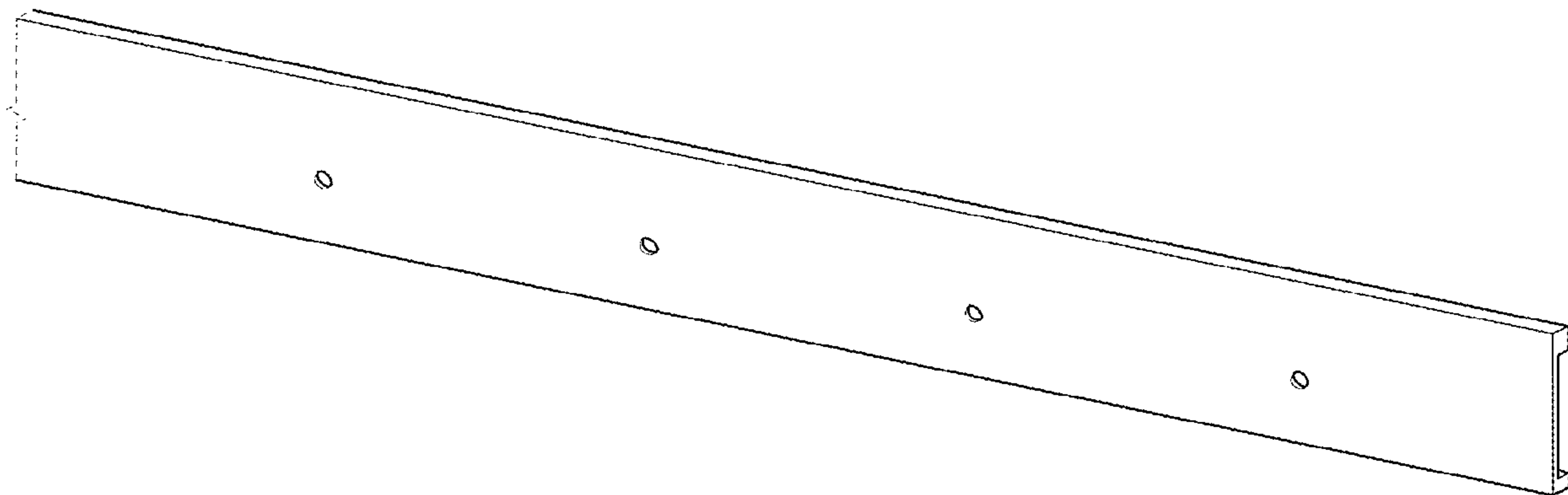
FIG. 5 is an enlarged right view of the stair nosing of FIG. 1, shown in larger scale.

FIG. 6 is a top view of the stair nosing of FIG. 1; and,

FIG. 7 is a bottom view of the stair nosing of FIG. 1.

The stair nosing is shown with one of the ends with a break shown in broken lines. It being understood that the broken lines and anything beyond the break is not part of the claimed design.

1 Claim, 3 Drawing Sheets



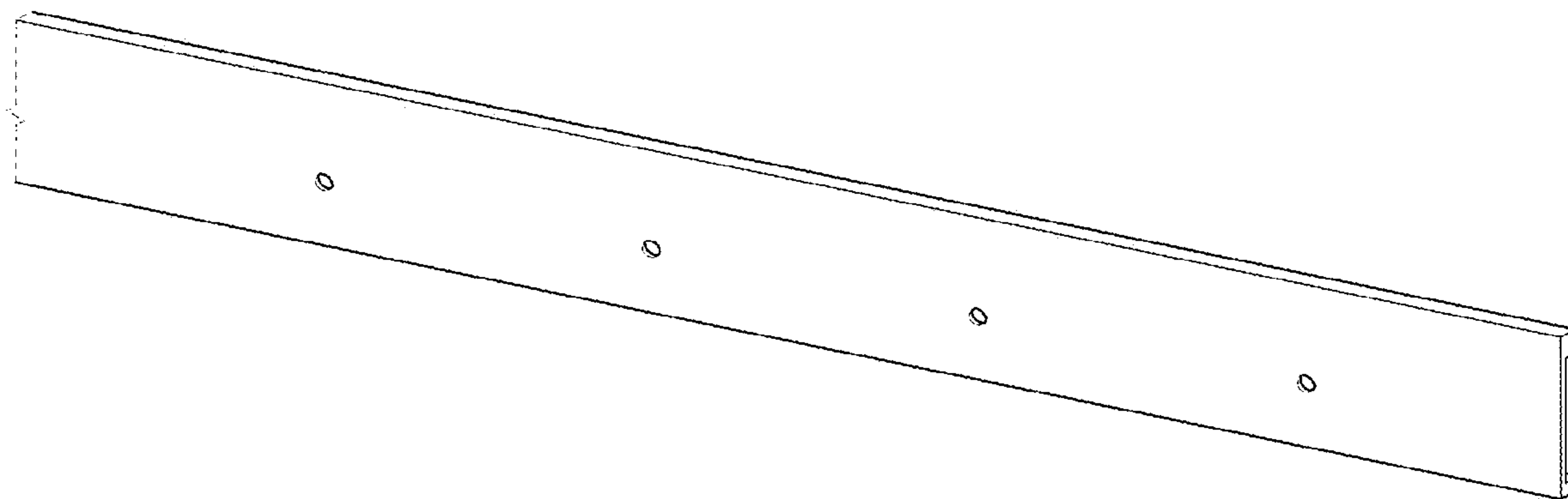


FIG. 1

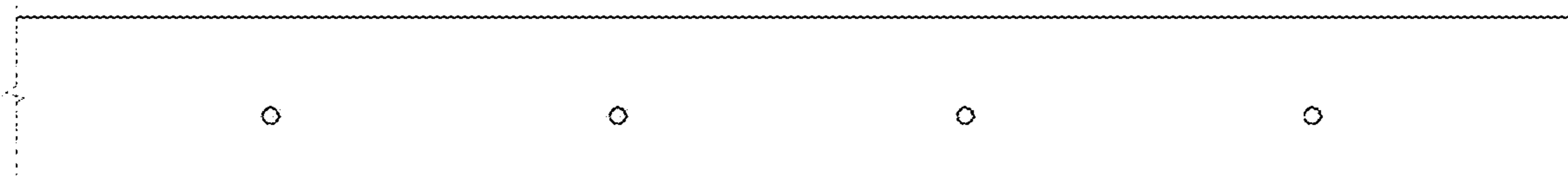


FIG. 2

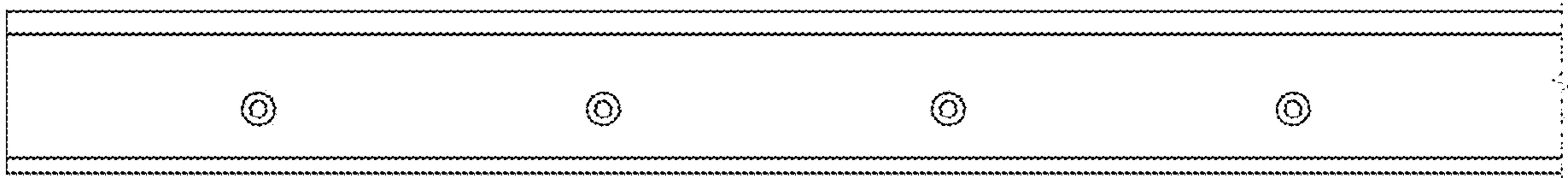


FIG. 3

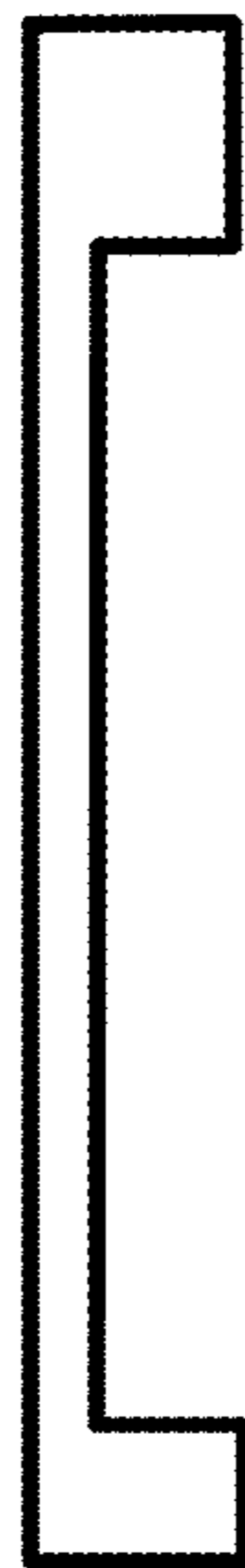


FIG. 4



FIG. 5

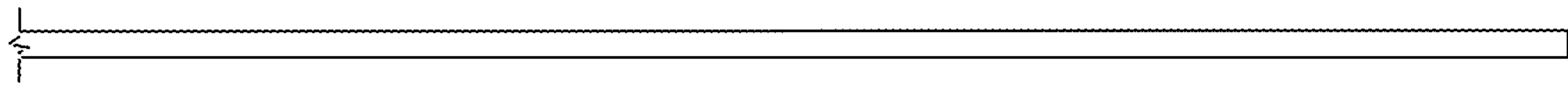


FIG. 6

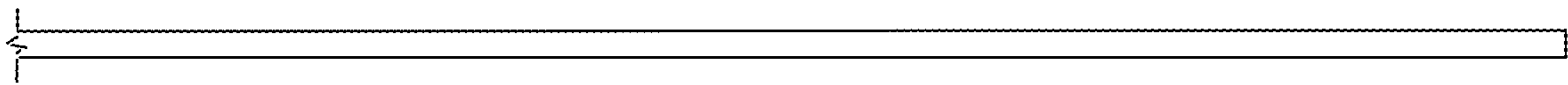


FIG. 7