



US00D912277S

(12) **United States Design Patent**  
**Feng**

(10) **Patent No.:** **US D912,277 S**

(45) **Date of Patent:** **\*\* Mar. 2, 2021**

(54) **LADDER**

(71) Applicant: **Coccinella Design Technology Co., Ltd**, Suzhou (CN)

(72) Inventor: **Shuqin Feng**, Suzhou (CN)

(\*\*) Term: **15 Years**

(21) Appl. No.: **29/745,441**

(22) Filed: **Aug. 6, 2020**

(51) **LOC (13) Cl.** ..... **25-04**

(52) **U.S. Cl.**  
USPC ..... **D25/65**

(58) **Field of Classification Search**  
USPC ..... D25/62-65, 69; 182/21-26, 176, 173, 182/174, 177  
CPC ... E06C 1/14; E06C 1/383; E06C 5/02; E06C 1/39; E06C 1/32; E06C 1/38  
See application file for complete search history.

(56) **References Cited**

**U.S. PATENT DOCUMENTS**

D434,855 S \* 12/2000 Ullum ..... D25/65  
D447,817 S \* 9/2001 Rosko ..... D25/64

D455,842 S \* 4/2002 Rosko ..... D25/65  
D564,674 S \* 3/2008 Farber ..... D25/65  
D564,675 S \* 3/2008 Farber ..... D25/65  
D564,676 S \* 3/2008 Farber ..... D25/65  
D594,135 S \* 6/2009 Jane Stopp ..... D25/65  
D620,132 S \* 7/2010 Han ..... D25/64  
D766,461 S 9/2016 Moss et al.  
D781,449 S 3/2017 Green  
D796,694 S 9/2017 Green

\* cited by examiner

*Primary Examiner* — Gino Colan  
(74) *Attorney, Agent, or Firm* — HYIP

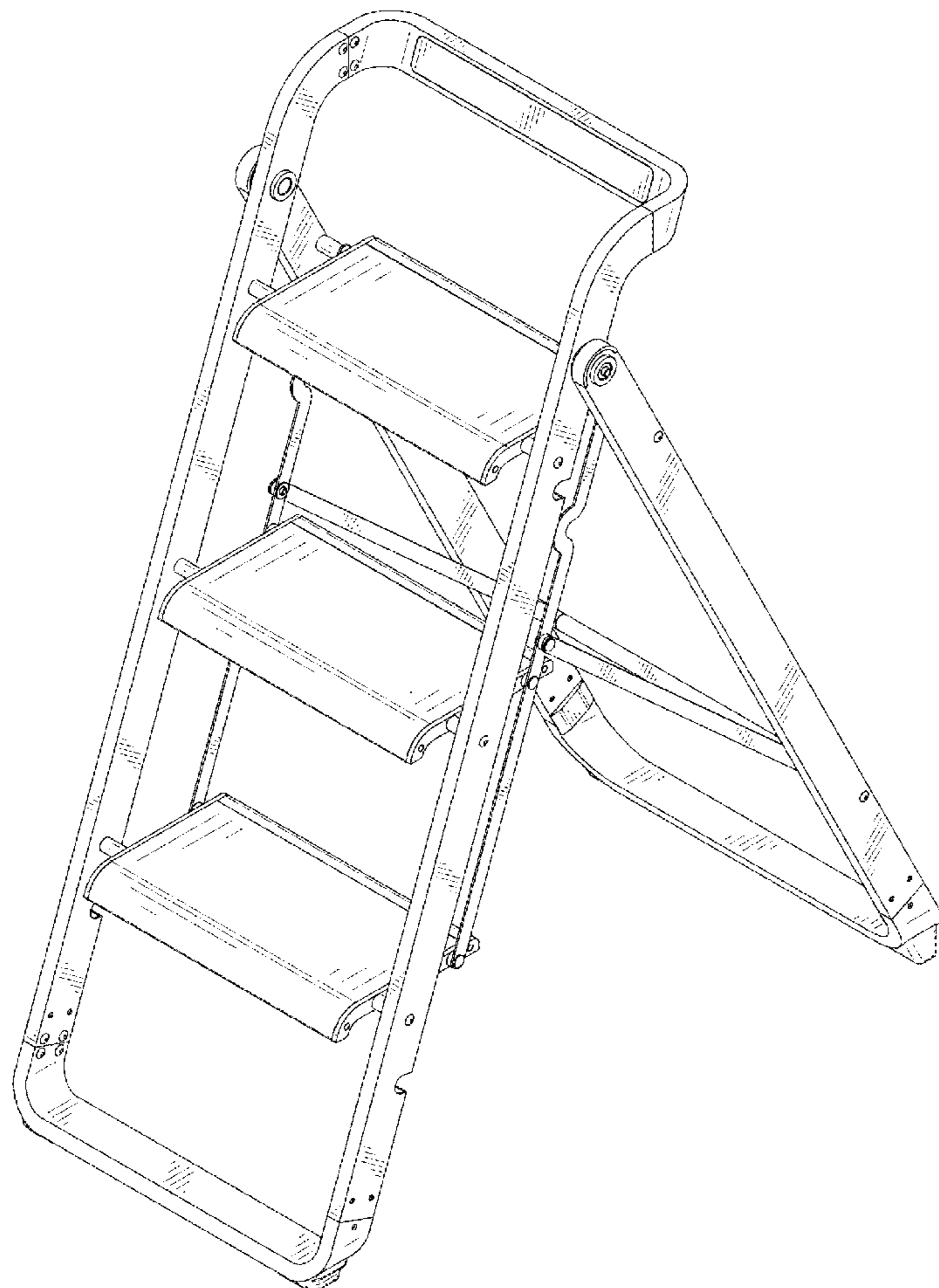
(57) **CLAIM**

The ornamental design for a ladder, as shown and described.

**DESCRIPTION**

FIG. 1 is a first perspective view of a ladder showing my new design;  
FIG. 2 is a second perspective view thereof;  
FIG. 3 is a front view thereof;  
FIG. 4 is a back view thereof;  
FIG. 5 is a left side view thereof;  
FIG. 6 is a right side view thereof;  
FIG. 7 is a top view thereof; and,  
FIG. 8 is a bottom view thereof.

**1 Claim, 8 Drawing Sheets**



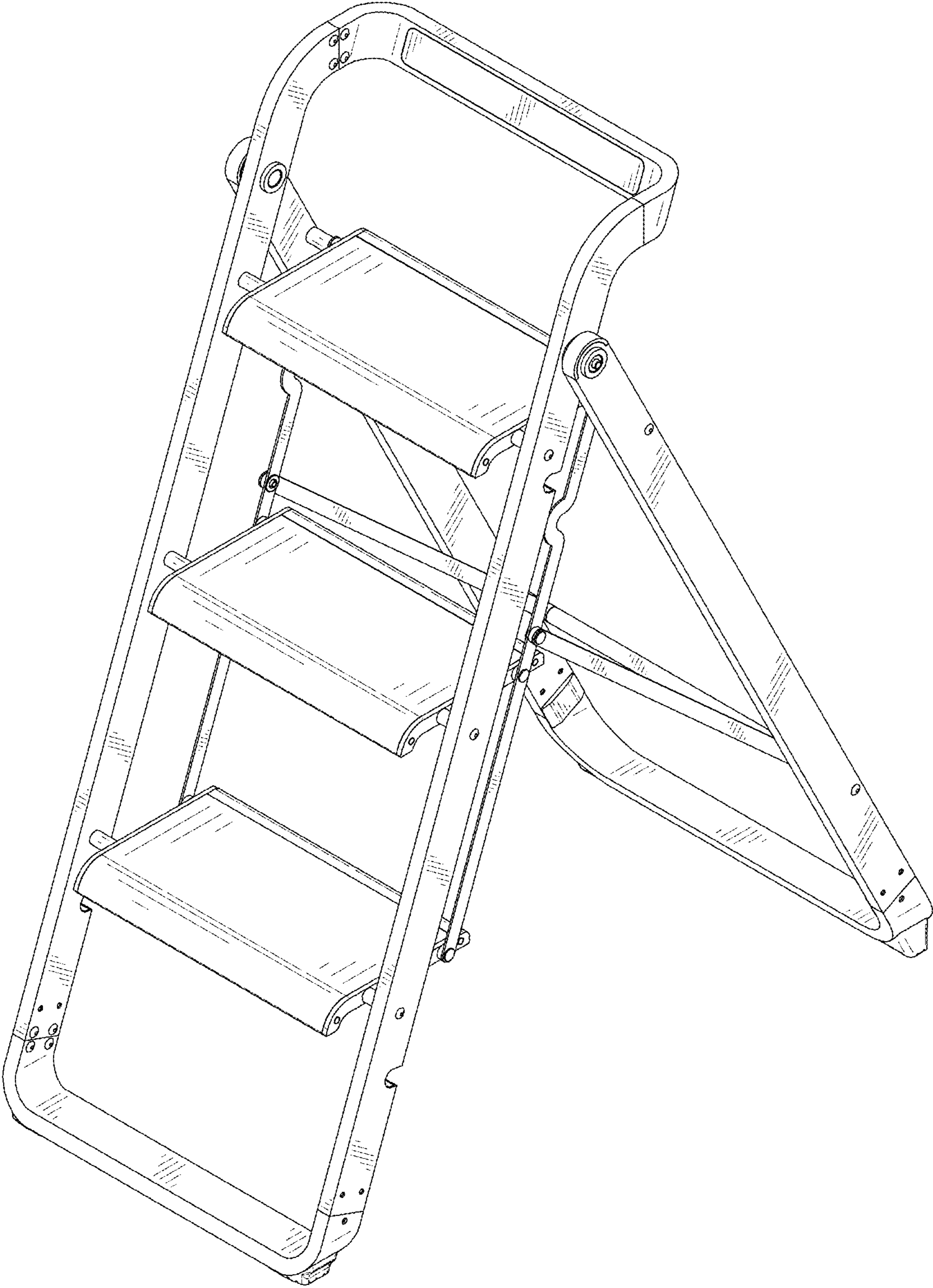


FIG. 1

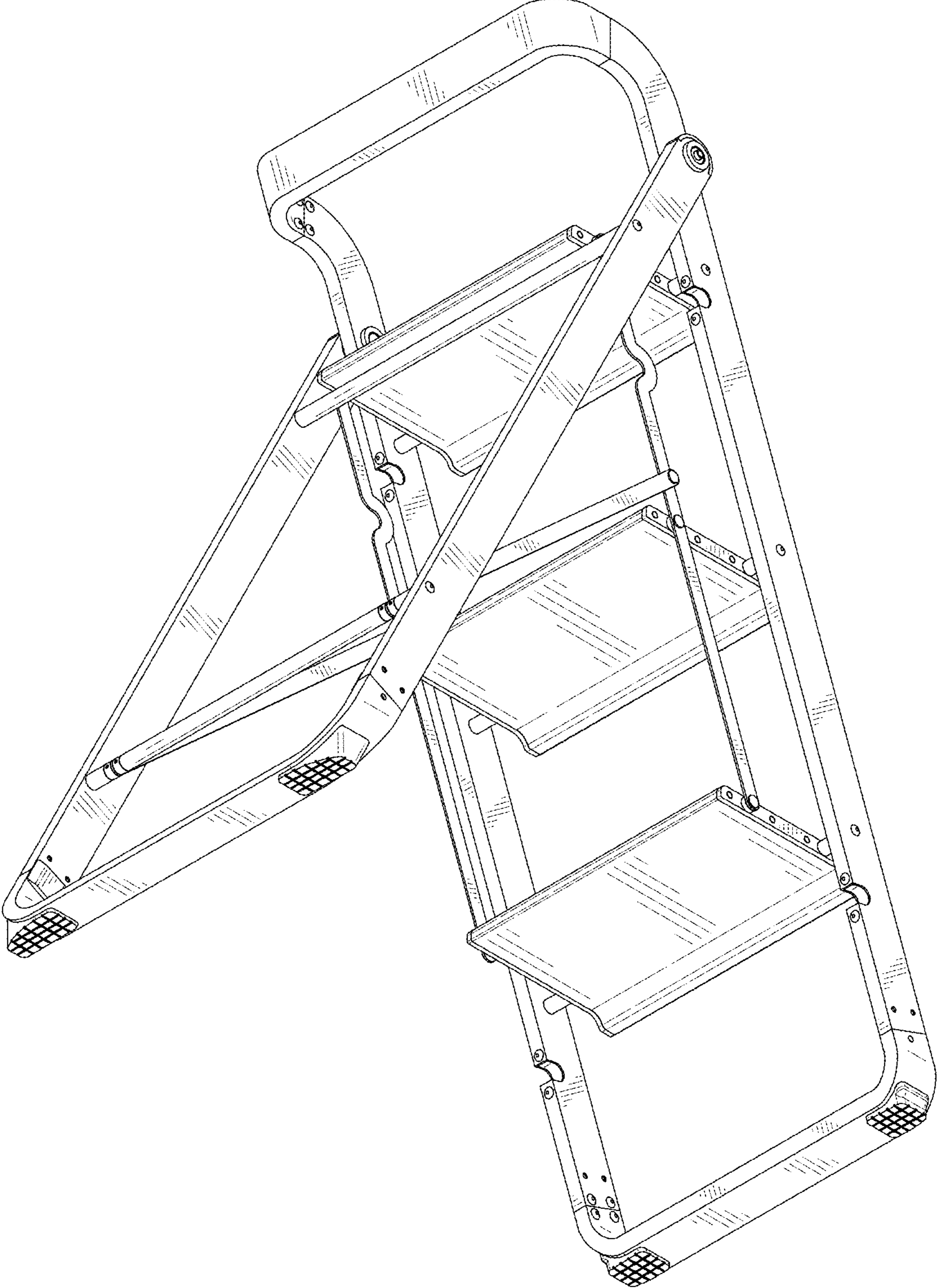


FIG. 2

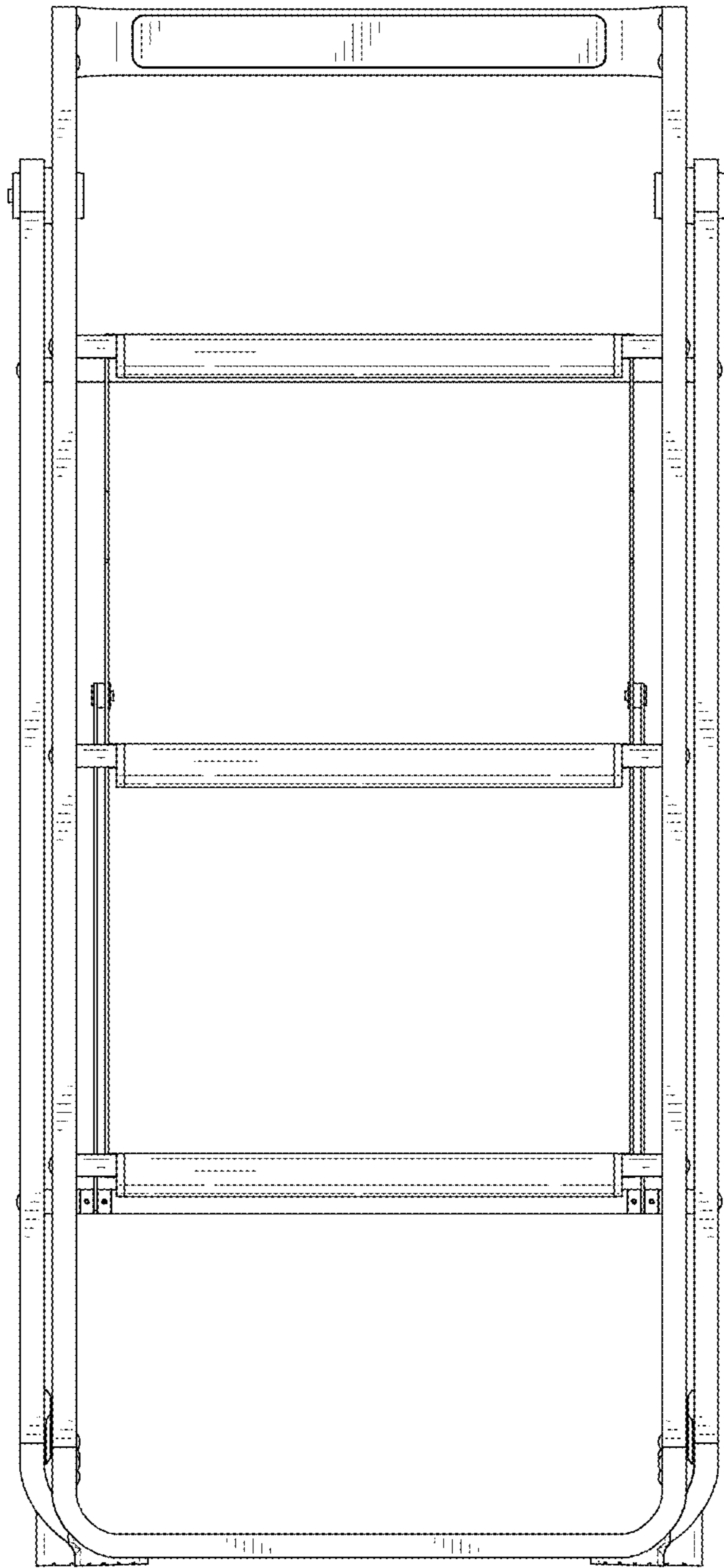


FIG. 3

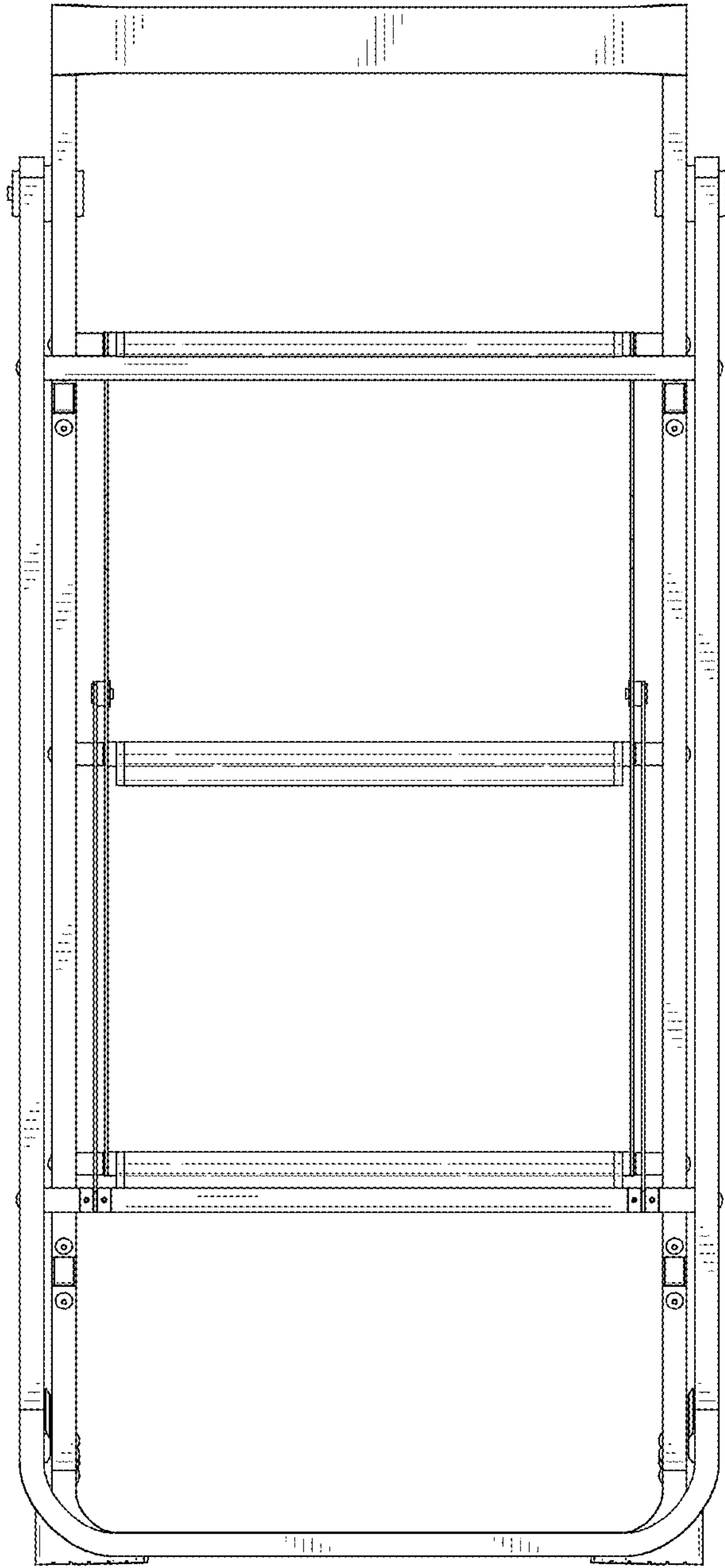


FIG. 4

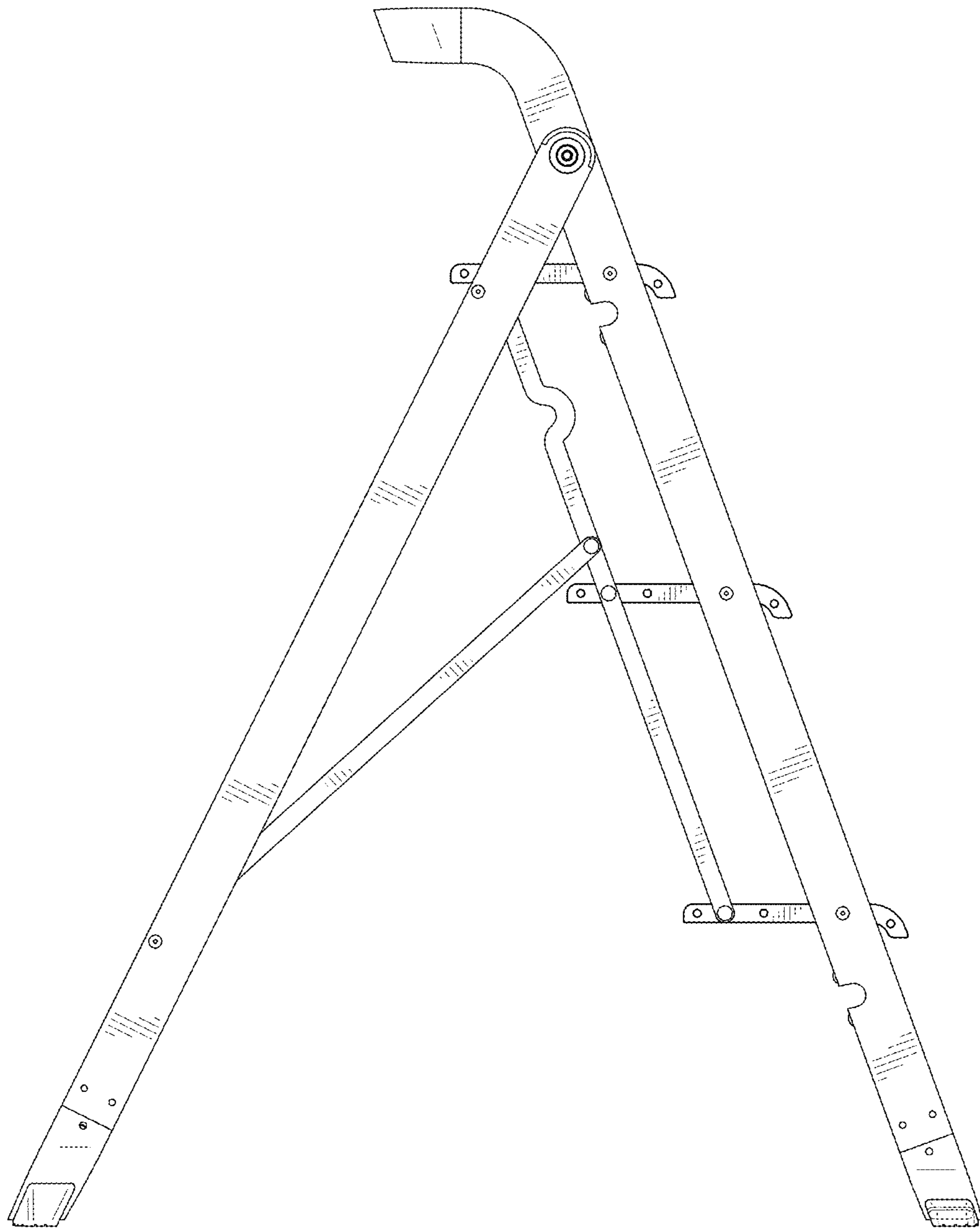


FIG. 5

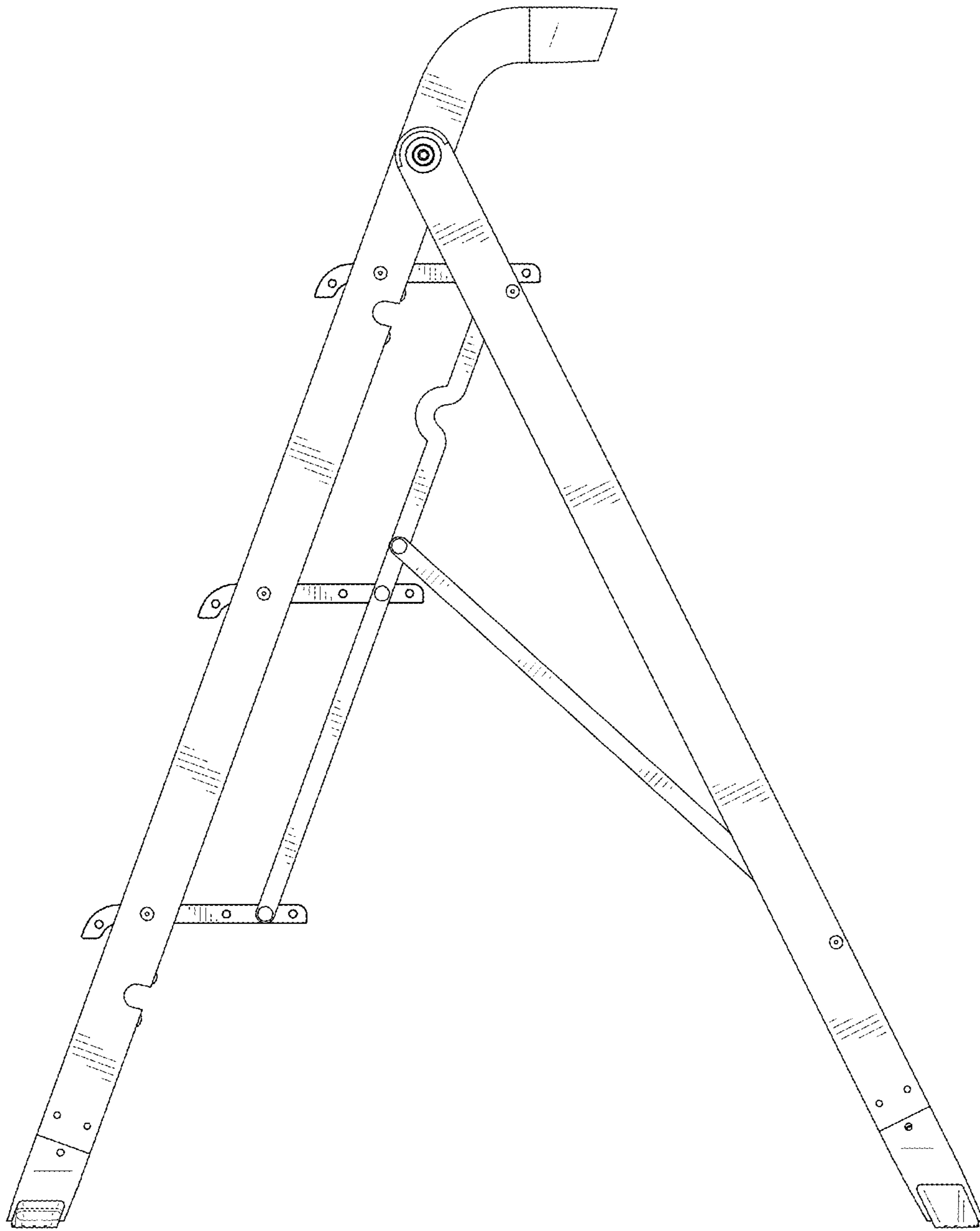


FIG. 6

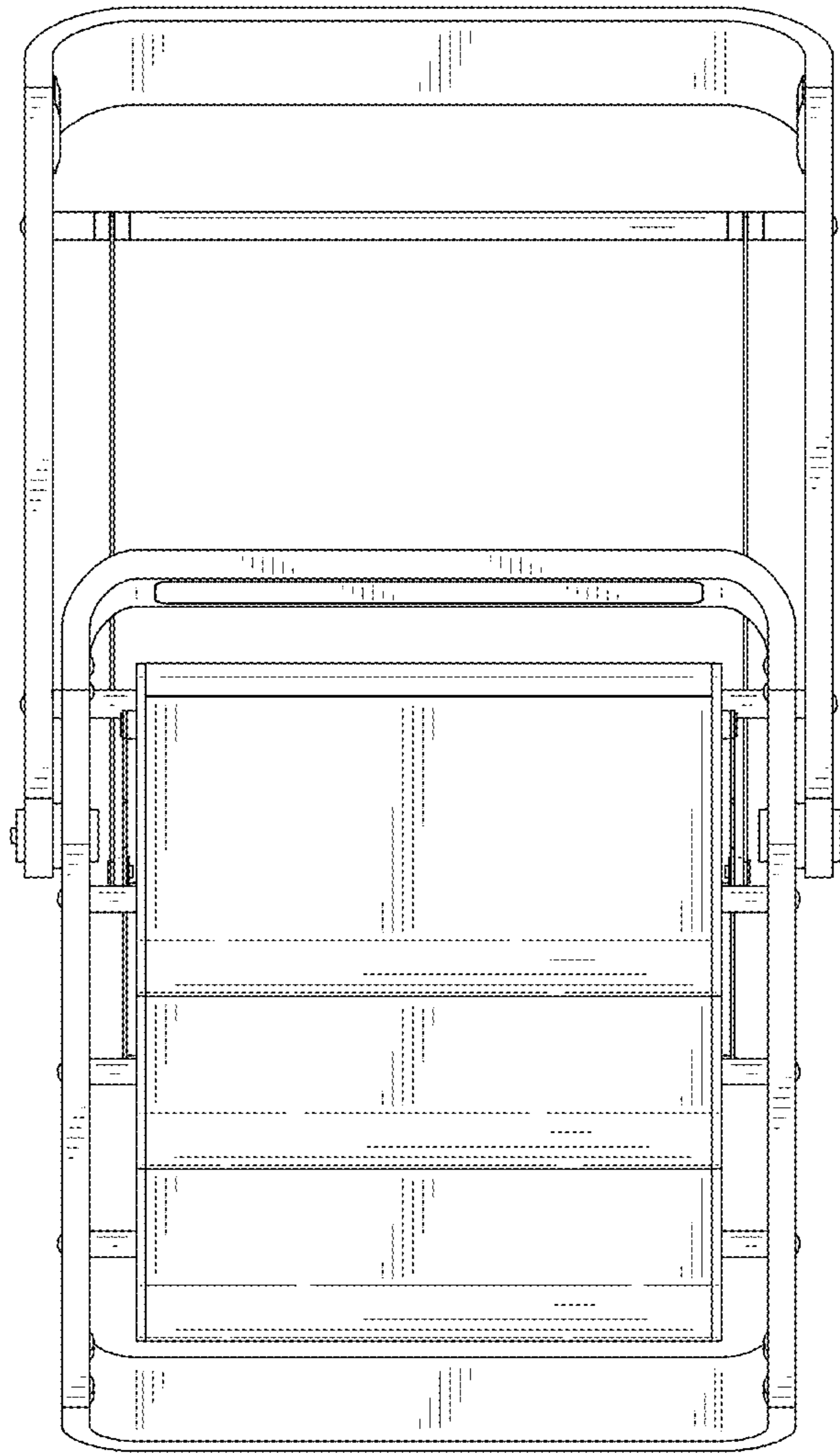


FIG. 7



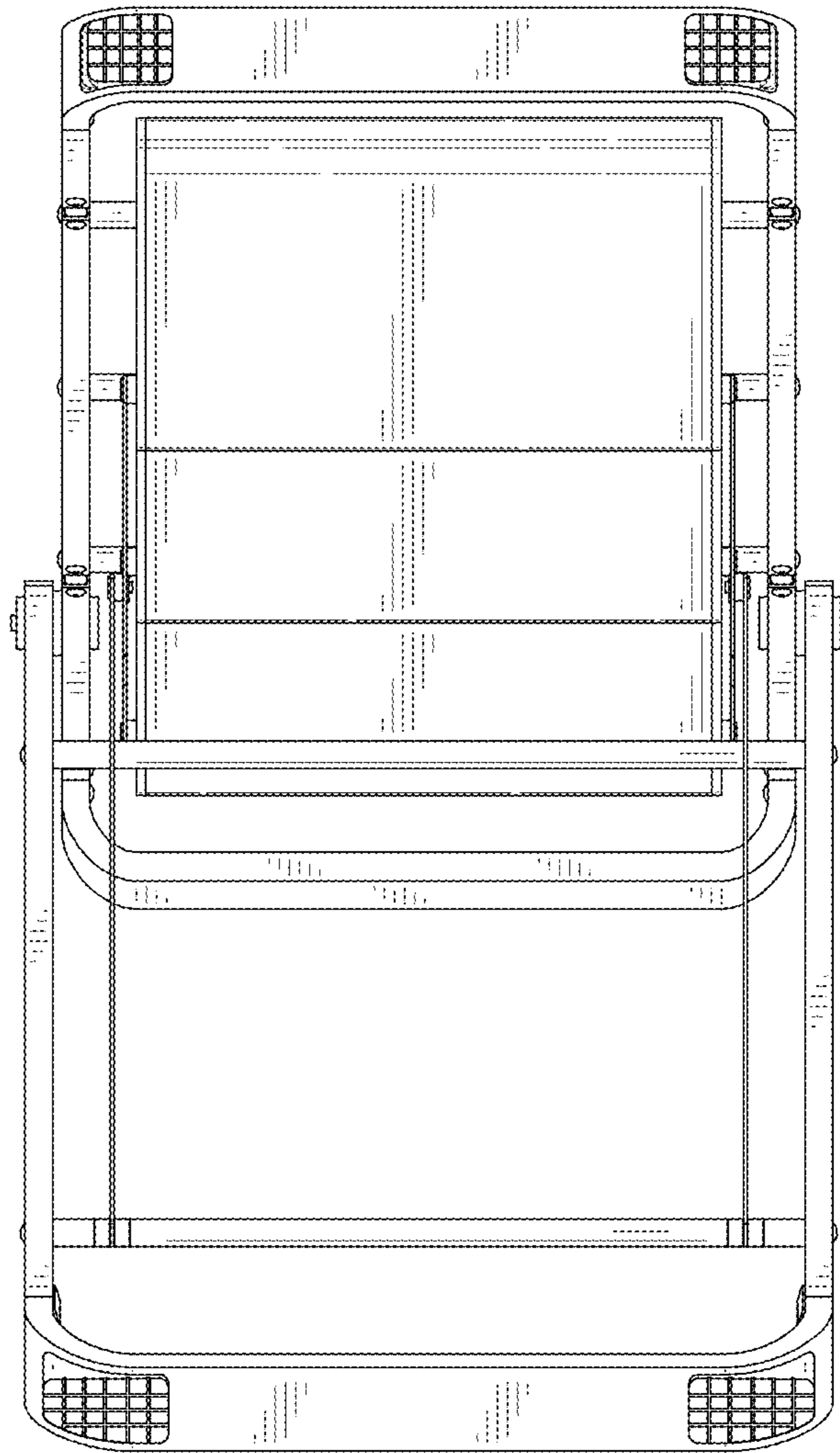


FIG. 8