



US00D912276S

(12) **United States Design Patent**
Denton

(10) **Patent No.:** **US D912,276 S**
(45) **Date of Patent:** **** Mar. 2, 2021**

- (54) **MISTING CANOPY FRAME**
- (71) Applicant: **Patricia Denton**, Alton, IL (US)
- (72) Inventor: **Patricia Denton**, Alton, IL (US)
- (**) Term: **15 Years**
- (21) Appl. No.: **29/702,491**
- (22) Filed: **Aug. 20, 2019**
- (51) **LOC (13) Cl.** **25-03**
- (52) **U.S. Cl.**
USPC **D25/56; D23/213**
- (58) **Field of Classification Search**
USPC D23/213, 228, 355, 360; D25/17, 18, 32,
D25/55, 56, 57
CPC A01G 25/00; A01G 25/02; A01G 13/0206;
B05B 1/20; B05B 1/202; B05B 1/205;
A45B 3/00; A45B 2200/1045
See application file for complete search history.

7,104,270	B2	9/2006	Dong	
D638,519	S *	5/2011	Ammons	D23/213
D683,416	S *	5/2013	Yurianto	D21/839
D703,290	S *	4/2014	Mora	D23/213
D788,319	S *	5/2017	Lemoine	D25/18
D844,824	S *	4/2019	Lemoine	D25/18
D885,528	S *	5/2020	Fujii	D23/266
2005/0172987	A1	8/2005	Byrnes	
2008/0092440	A1	4/2008	Johnson	
2010/0213708	A1 *	8/2010	Esdaile	E04H 15/34 285/420
2019/0116742	A1 *	4/2019	Denton	A01G 25/02
2019/0217710	A1 *	7/2019	Gu	H01L 31/042

* cited by examiner

Primary Examiner — Leanne Was-Englehart

(57) **CLAIM**

The ornamental design for a misting canopy frame, as shown and described.

DESCRIPTION

FIG. 1 is a front view of a misting canopy frame showing my new design;
 FIG. 2 is a rear view of the misting canopy frame;
 FIG. 3 is a right side view of the misting canopy frame;
 FIG. 4 is a left side view of the misting canopy frame;
 FIG. 5 is a top view of the misting canopy frame;
 FIG. 6 is a bottom view of the misting canopy frame; and,
 FIG. 7 is a top front side perspective view of the misting canopy frame.

1 Claim, 5 Drawing Sheets

(56) **References Cited**
 U.S. PATENT DOCUMENTS

2,727,366	A	12/1955	Hagen	
3,892,251	A	7/1975	Wartfield	
4,194,319	A	3/1980	Crawford	
5,143,107	A	9/1992	Kelley	
D412,199	S *	7/1999	Louis	D23/213
D513,117	S	12/2005	Raede	

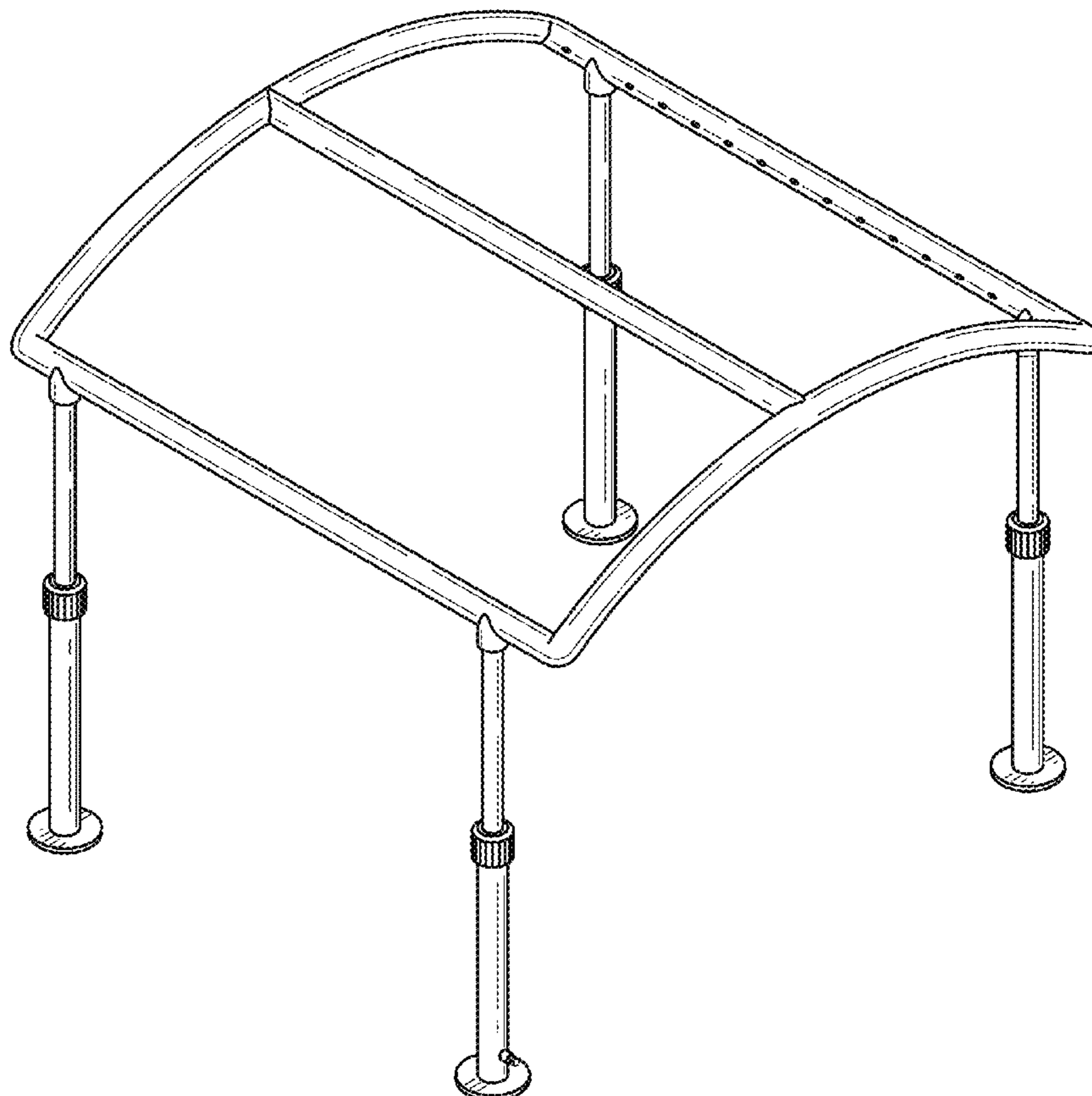


FIG. 1

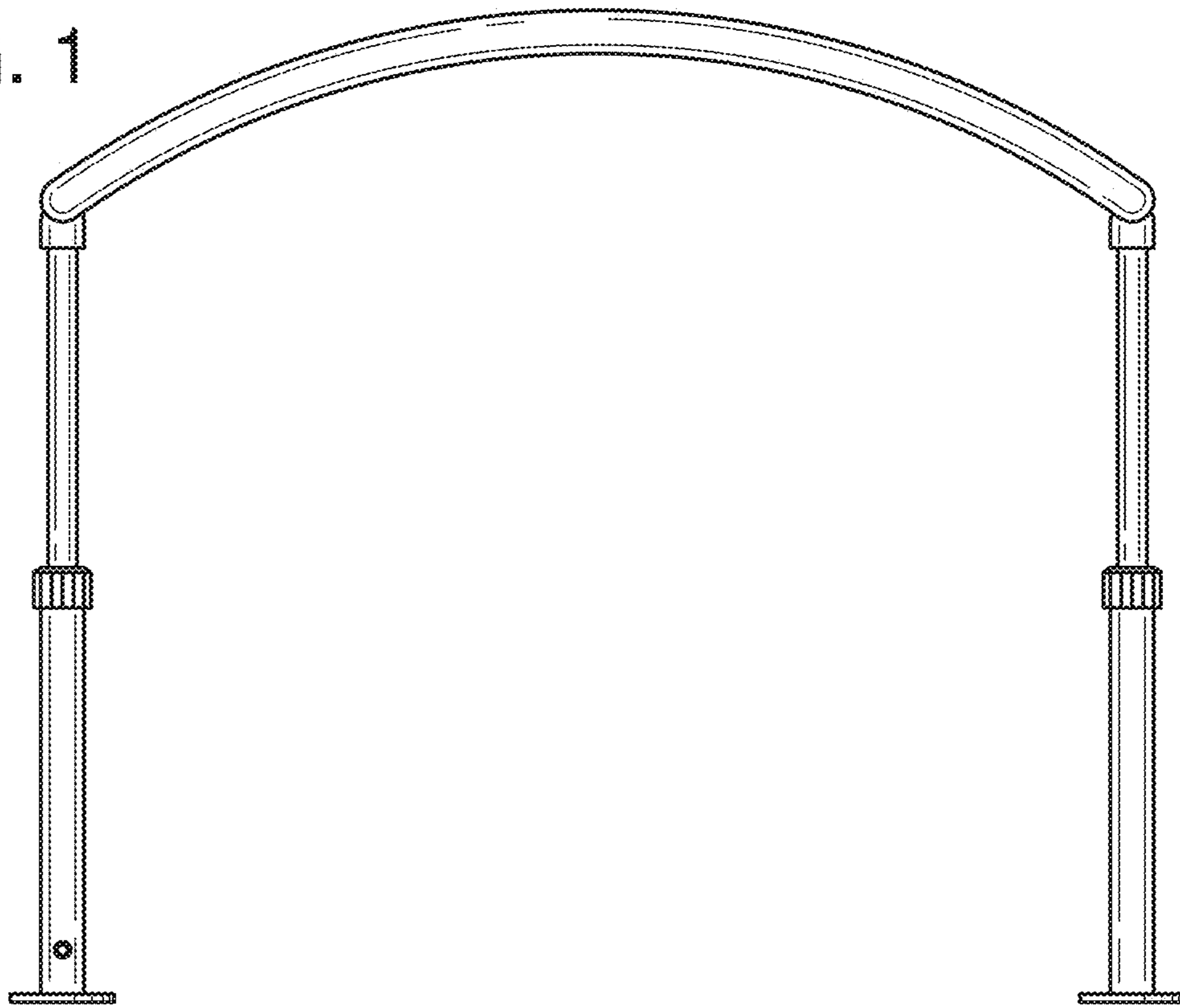


FIG. 2

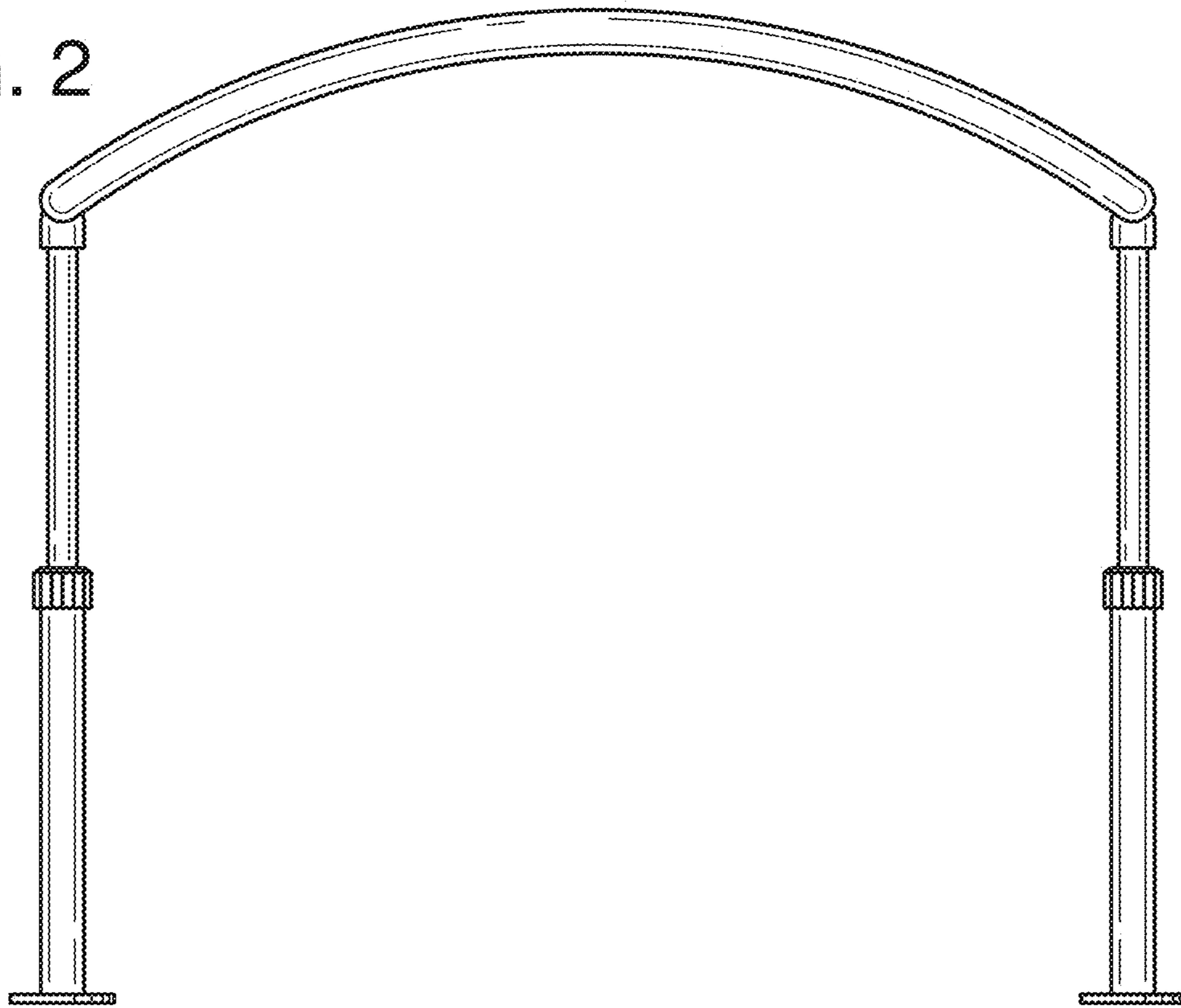


FIG. 3

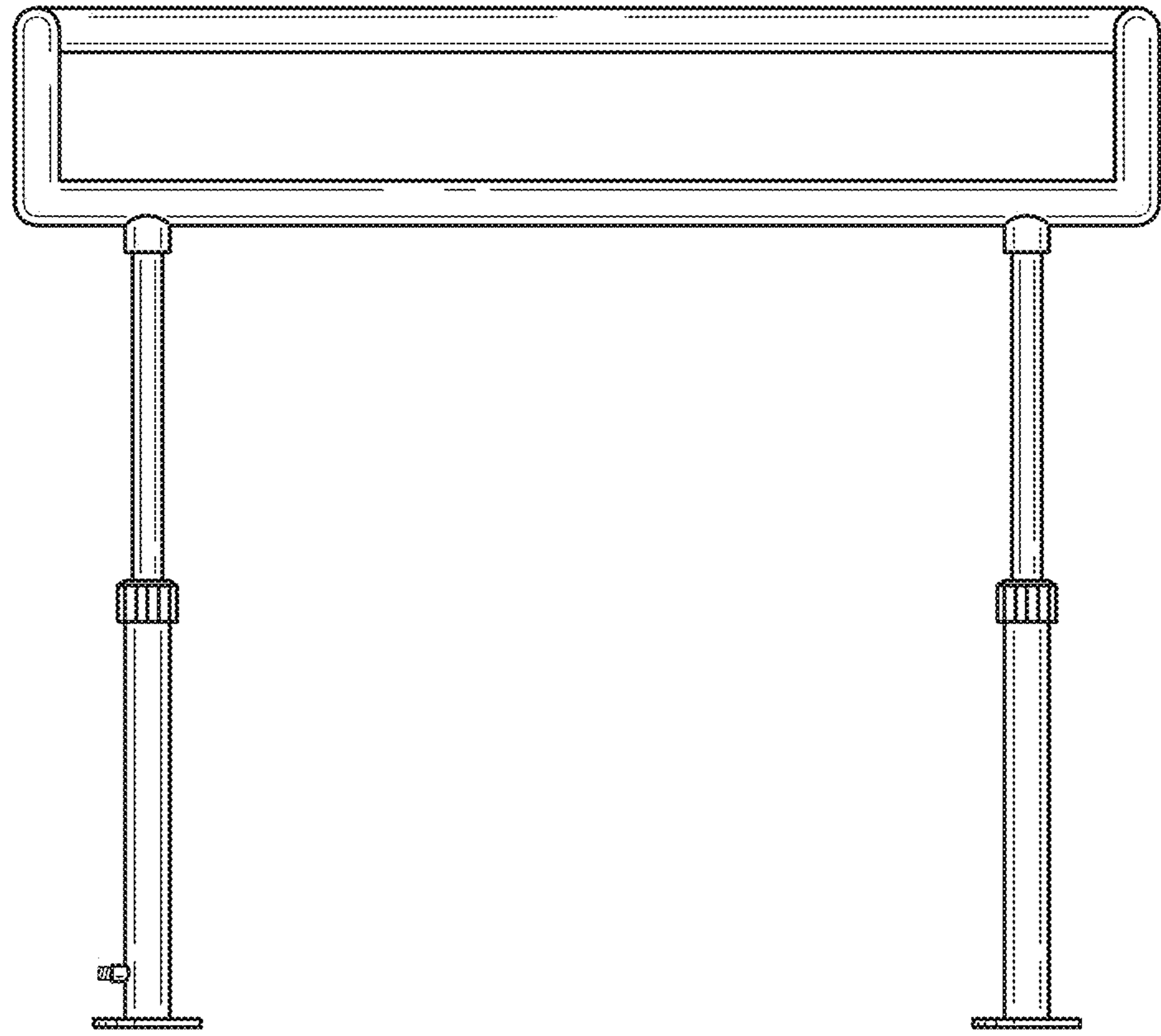
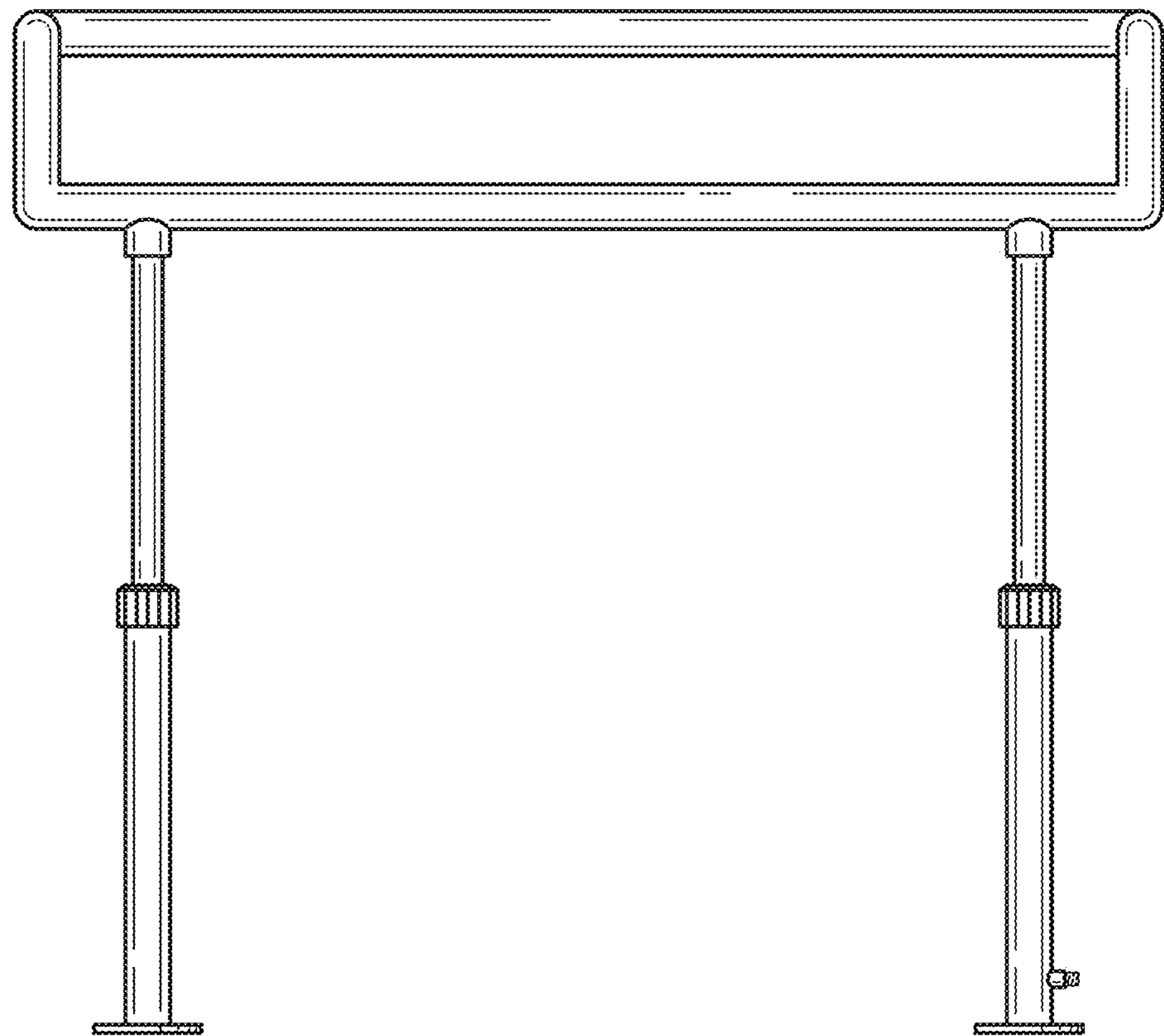


FIG. 4



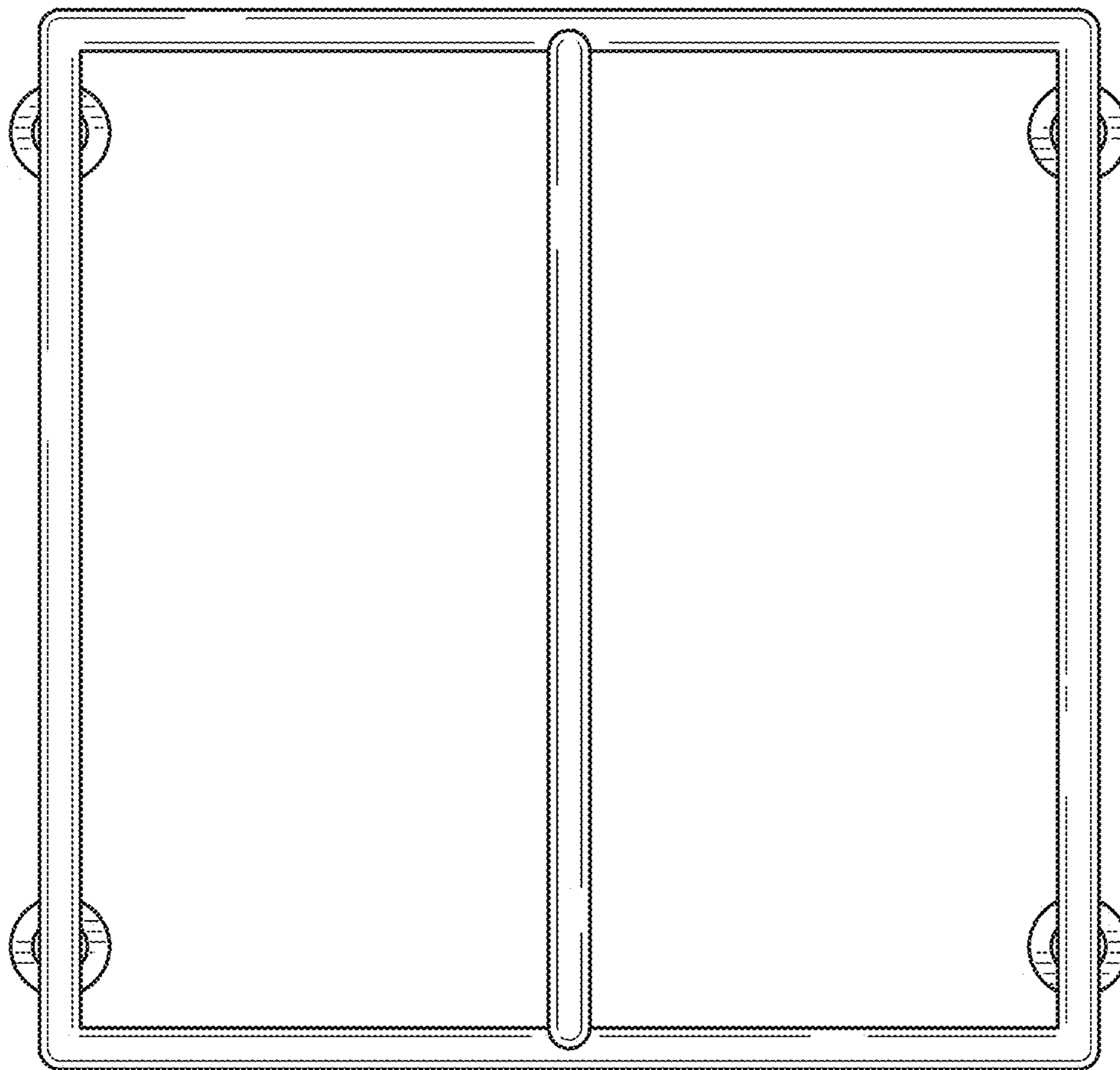


FIG. 5

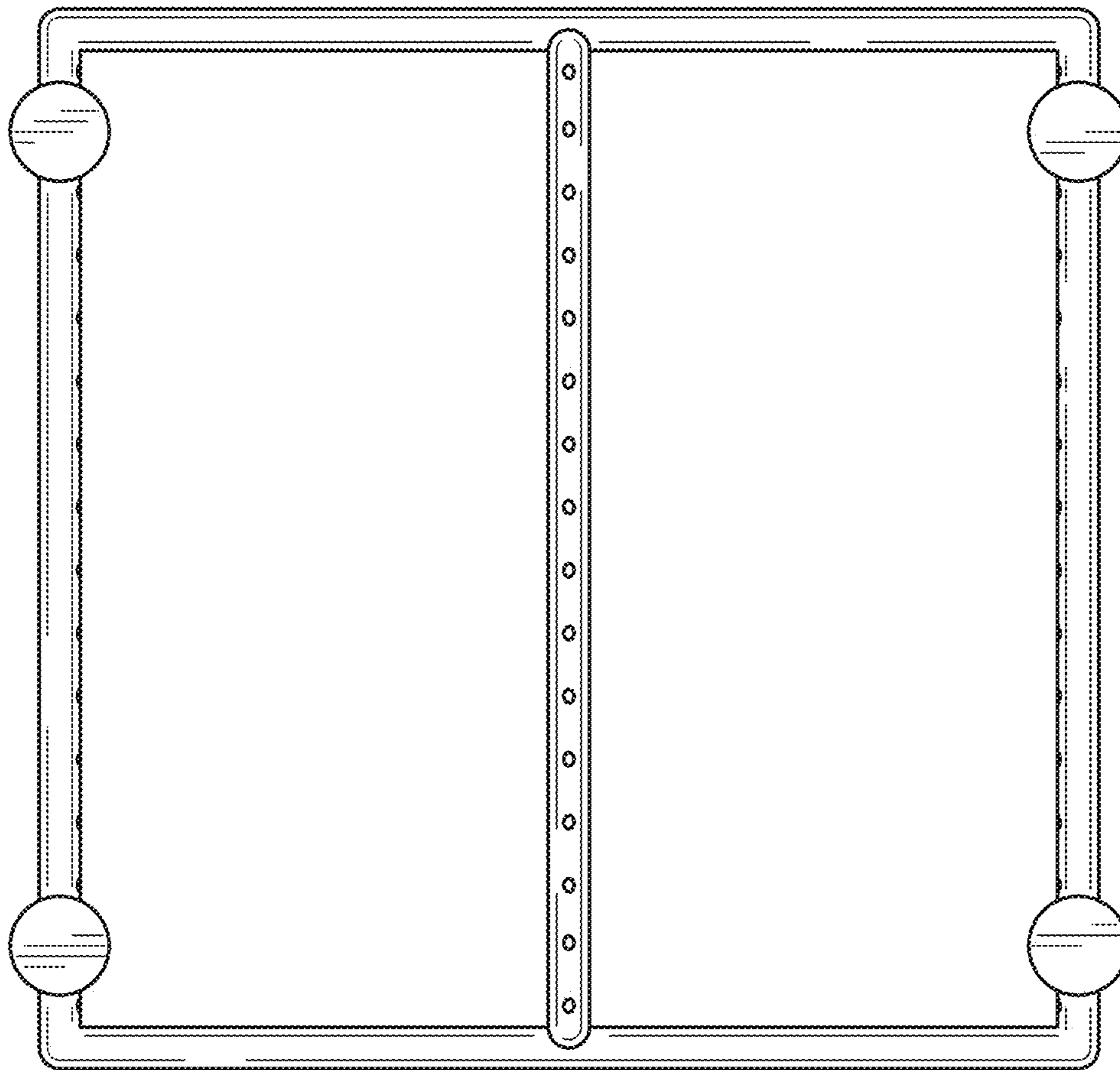


FIG. 6

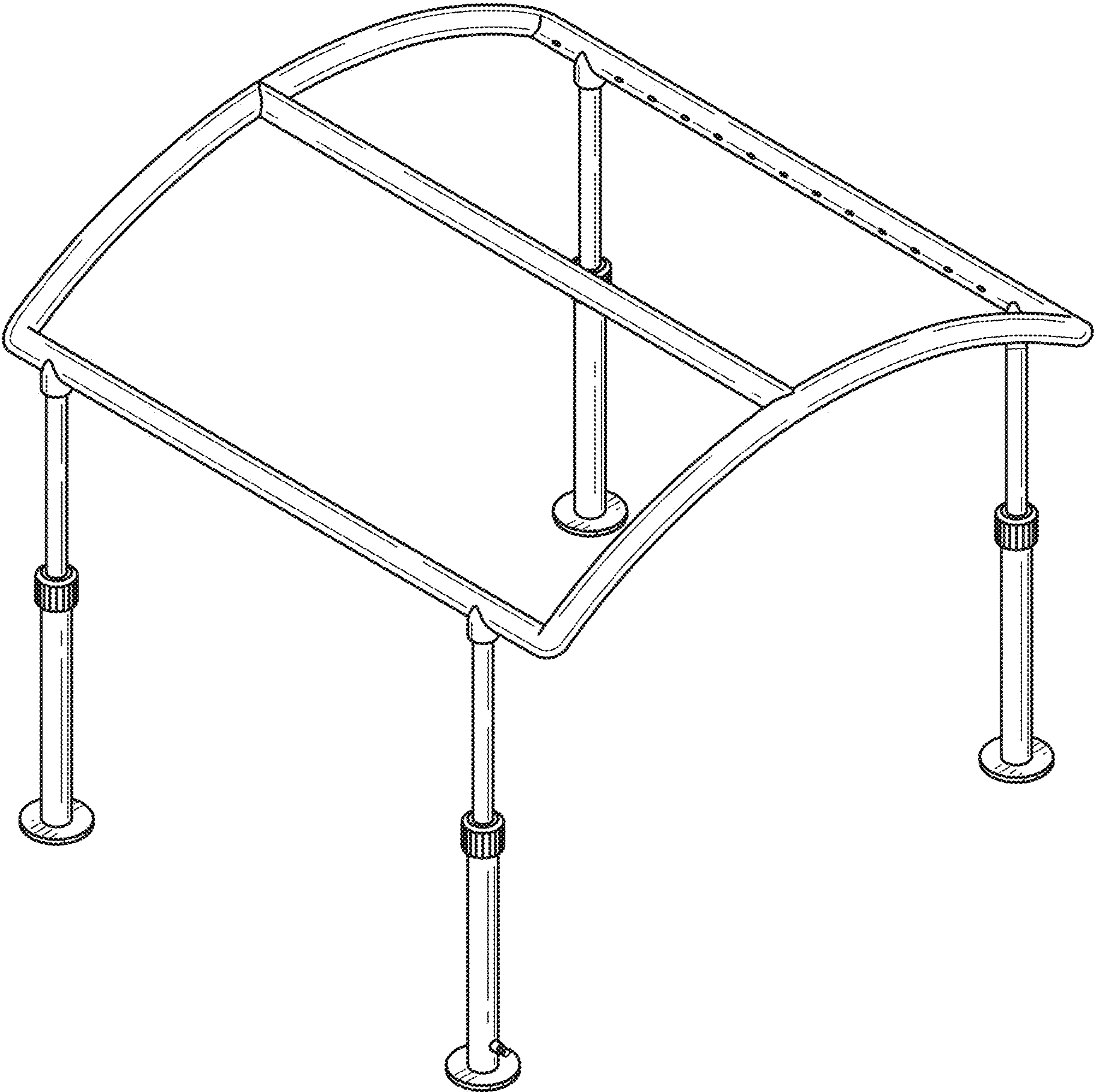


FIG. 7