



US00D912275S

(12) **United States Design Patent**
Phagura et al.

(10) **Patent No.:** **US D912,275 S**
(45) **Date of Patent:** **** Mar. 2, 2021**

(54) **TRAILER DOOR WITH DISPLAY**

FOREIGN PATENT DOCUMENTS

(71) Applicants: **Ranjit Singh Phagura**, Rocklin, CA (US); **Sandeep Kaur Uppal**, Rocklin, CA (US)

JP D1175070 * 6/2003

(72) Inventors: **Ranjit Singh Phagura**, Rocklin, CA (US); **Sandeep Kaur Uppal**, Rocklin, CA (US)

OTHER PUBLICATIONS

The Safety Truck Could Revolutionize Road Safety Samsung Global Newsroom <https://news.samsung.com/global/the-safety-truck-could-revolutionize-road-safety> Posted Jun. 18, 2015 (Year: 2015).*

(**) Term: **15 Years**

* cited by examiner

(21) Appl. No.: **29/698,062**

Primary Examiner — Leanne Was-Englehart

(22) Filed: **Jul. 13, 2019**

(74) *Attorney, Agent, or Firm* — Craig A. Simmermon

(51) **LOC (13) Cl.** **25-02**

(52) **U.S. Cl.**
USPC **D25/48.3**

(58) **Field of Classification Search**
USPC D12/100, 103, 106, 196; D25/48.1, 48.3, D25/60
CPC E06B 3/44; E06B 3/4423; E06B 5/003; E06B 2003/4453; E06B 2003/4492
See application file for complete search history.

(57) **CLAIM**

We claim the ornamental design for a trailer door with display, as shown and described.

DESCRIPTION

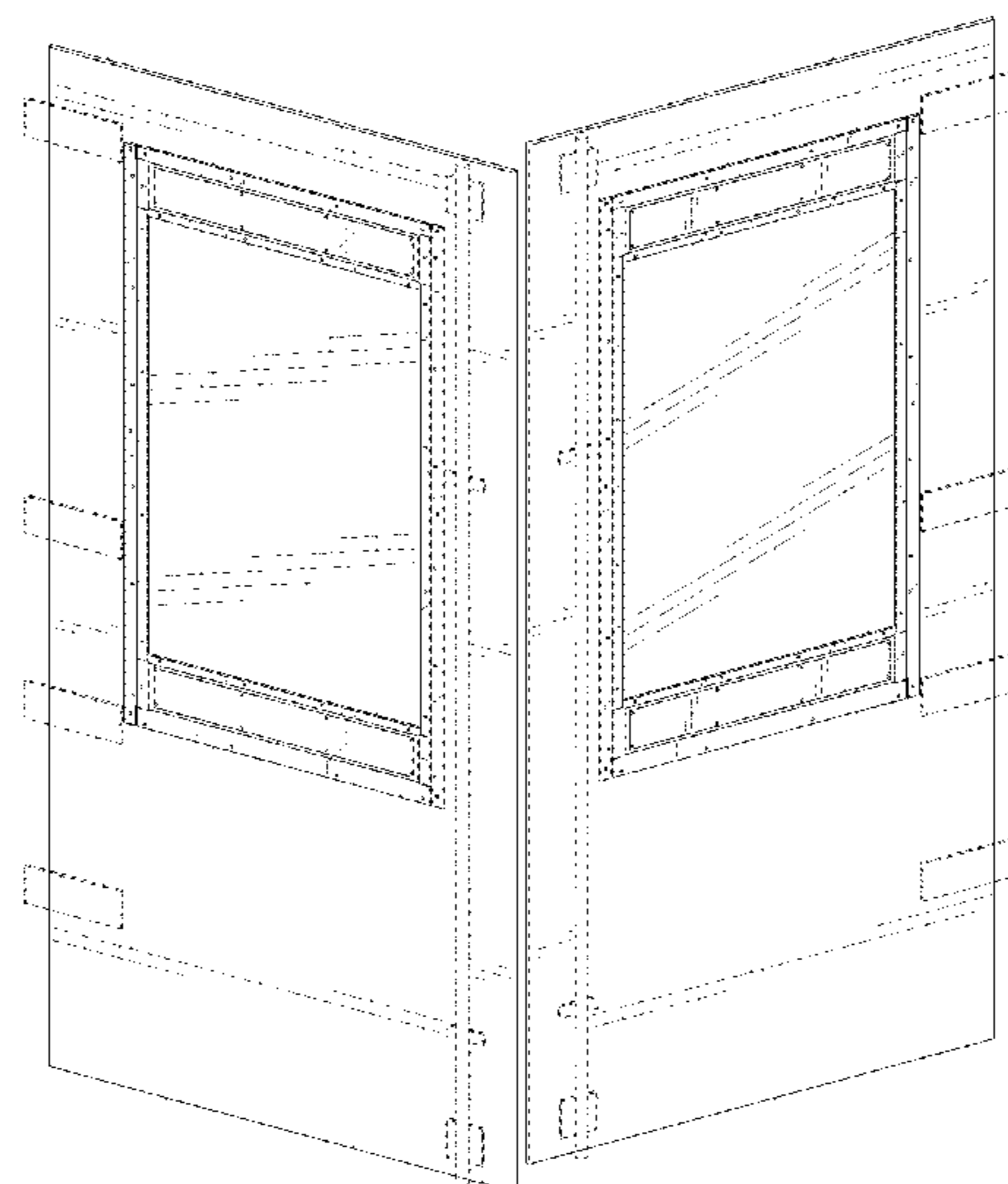
FIG. 1 is a perspective view of a trailer door with display showing my new design;
FIG. 2 is a front elevation view thereof;
FIG. 3 is a rear elevation view thereof;
FIG. 4 is a left side elevation view thereof;
FIG. 5 is a right side elevation view thereof;
FIG. 6 is a top plan view thereof;
FIG. 7 is a bottom plan view thereof;
FIG. 8 is a perspective view of a second embodiment of a trailer door with display showing my new design;
FIG. 9 is a front elevation view thereof;
FIG. 10 is a rear elevation view thereof;
FIG. 11 is a left side elevation view thereof;
FIG. 12 is a right side elevation view thereof;
FIG. 13 is a top plan view thereof; and,
FIG. 14 is a bottom plan view thereof.
The broken lines depict environmental subject matter that forms no part of the claimed design.

(56) **References Cited**

U.S. PATENT DOCUMENTS

| | | | | | |
|--------------|------|---------|-------------|-------|-----------------------|
| 2,914,121 | A * | 11/1959 | Taylor | | E06B 3/4423 160/37 |
| D218,809 | S * | 9/1970 | Horgan, Jr. | | D25/48.3 |
| D224,589 | S * | 8/1972 | Chow | | D12/103 |
| D295,734 | S * | 5/1988 | Barber | | D12/103 |
| D305,067 | S * | 12/1989 | Borgen | | D25/48.3 |
| D326,528 | S * | 5/1992 | Klein | | D25/48.3 |
| D392,921 | S * | 3/1998 | McCloud | | D12/103 |
| D396,300 | S * | 7/1998 | Grimaldi | | D25/48.3 |
| D418,229 | S * | 12/1999 | Mangelsen | | D25/138 |
| 6,655,108 | B2 * | 12/2003 | Larson | | E05B 9/08 292/1 |
| 6,688,063 | B1 * | 2/2004 | Lee | | E05B 9/08 49/501 |
| D805,216 | S * | 12/2017 | Davis | | D25/58 |
| D863,596 | S * | 10/2019 | Staton | | D25/48.3 |
| 2020/0270933 | A1 * | 8/2020 | Gouge | | E06B 3/70 |

1 Claim, 10 Drawing Sheets



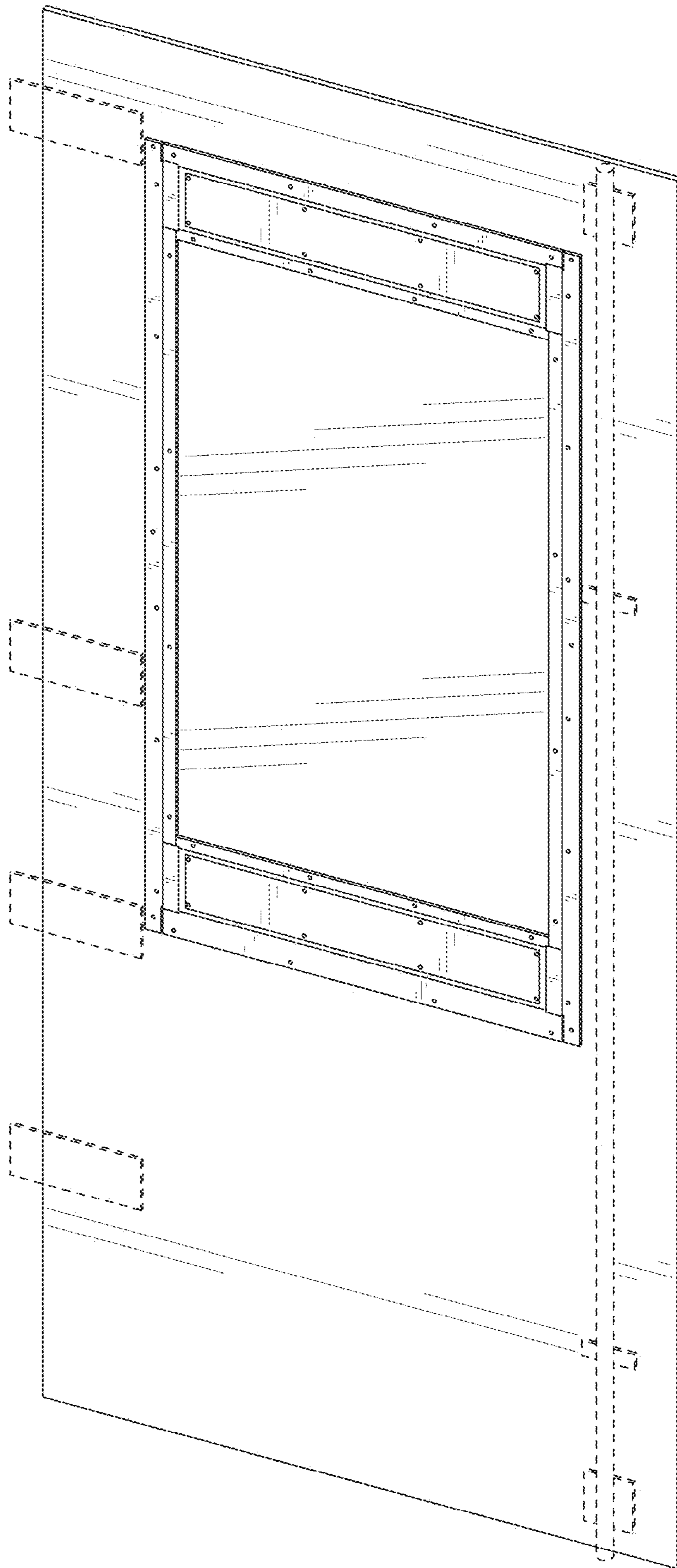


FIG. 1

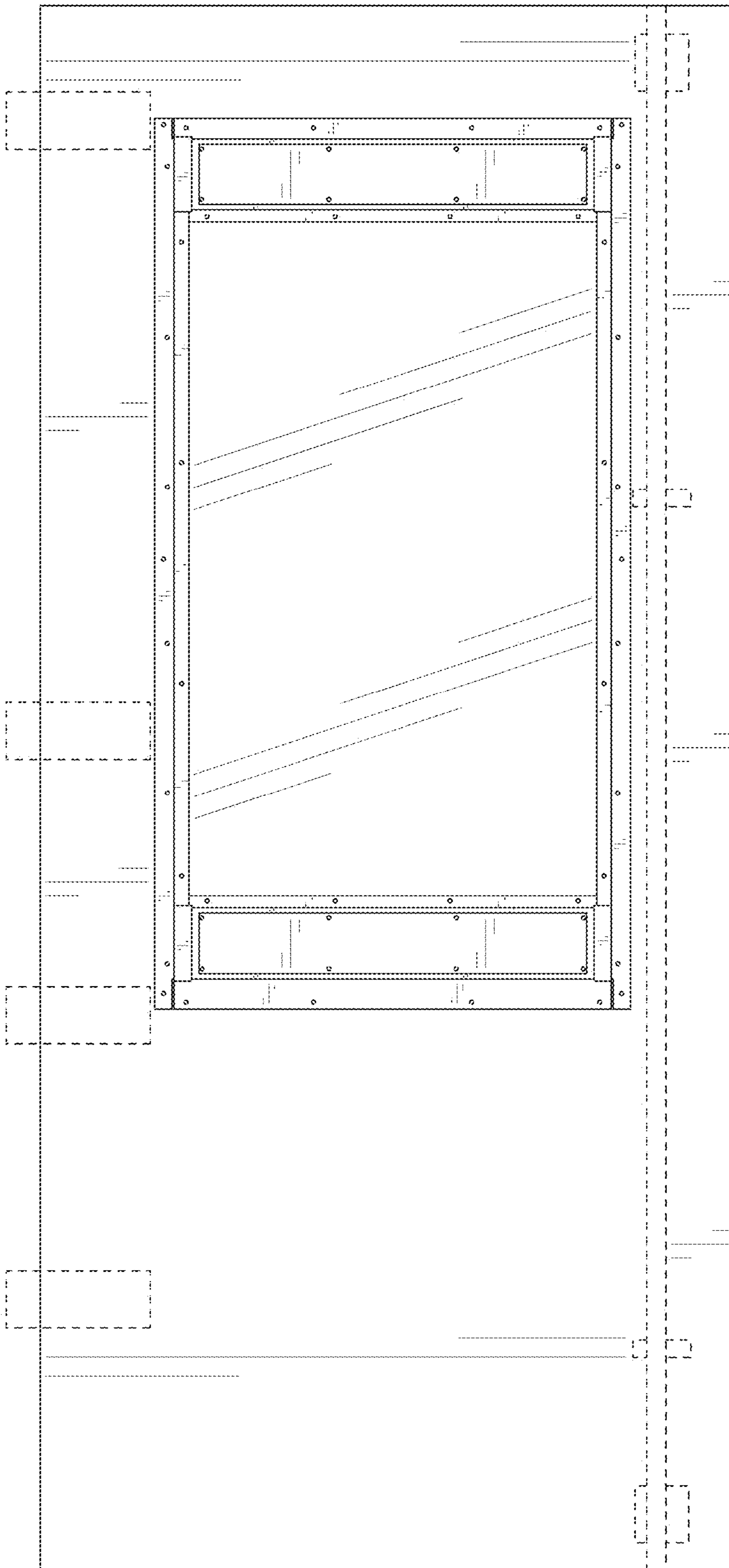


FIG. 2

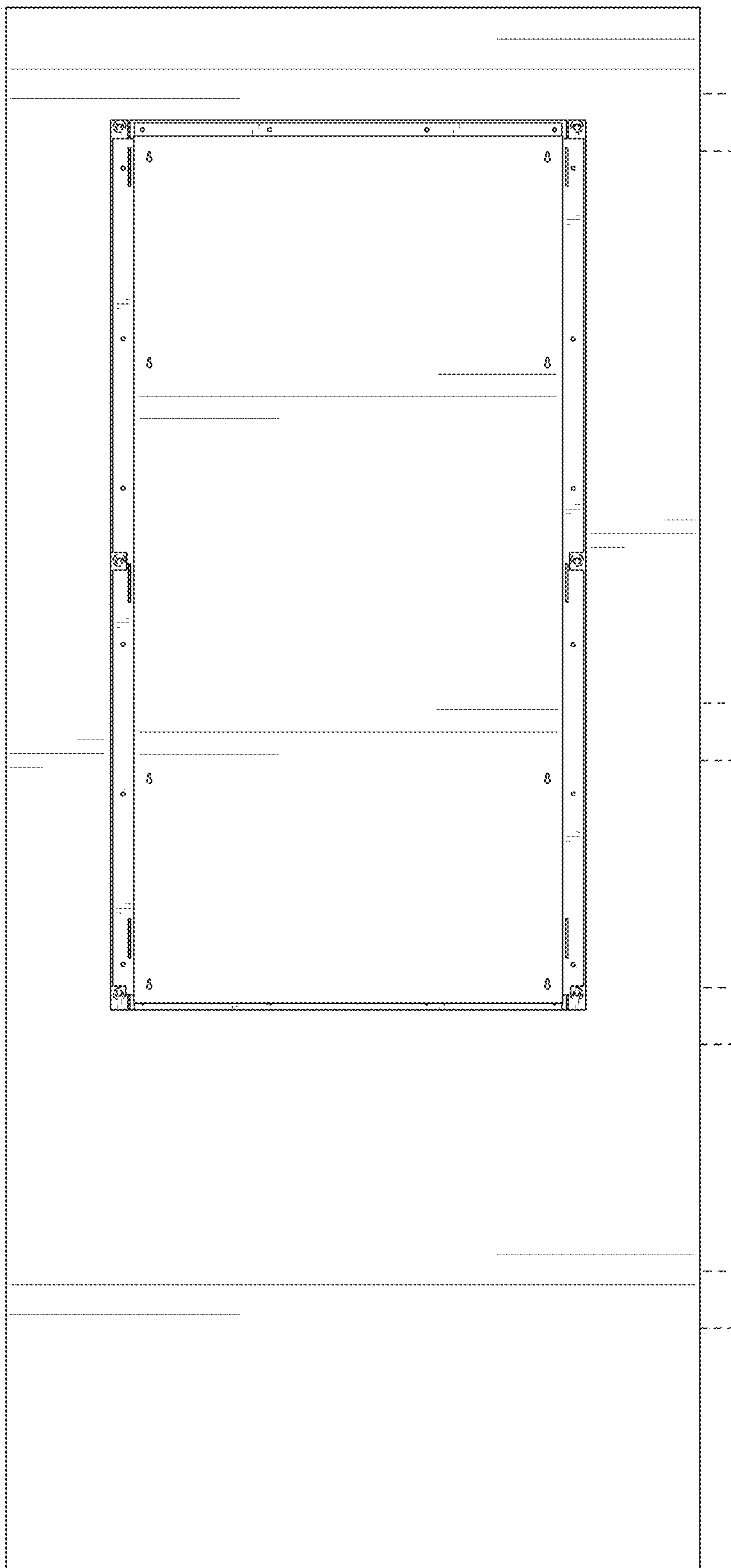


FIG. 3

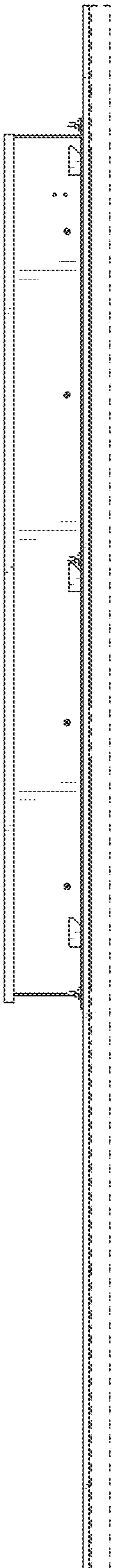


FIG. 4

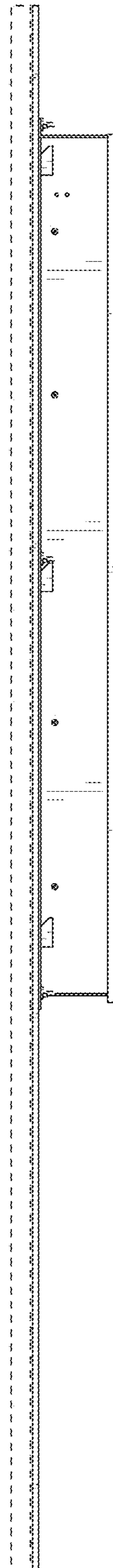


FIG. 5

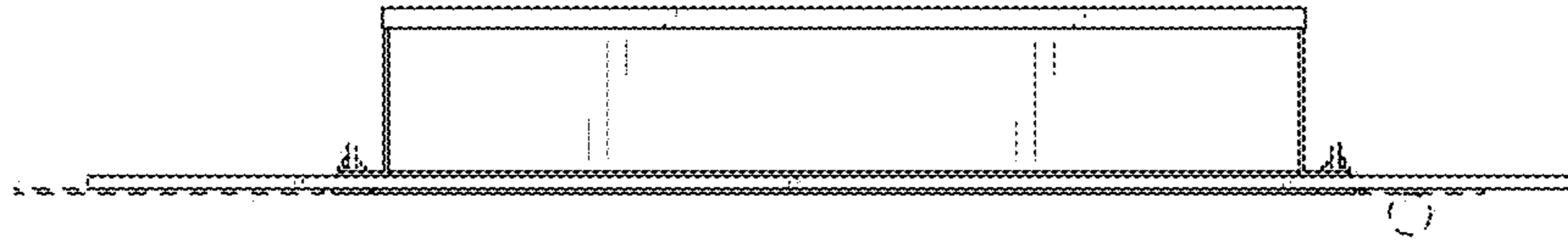


FIG. 6

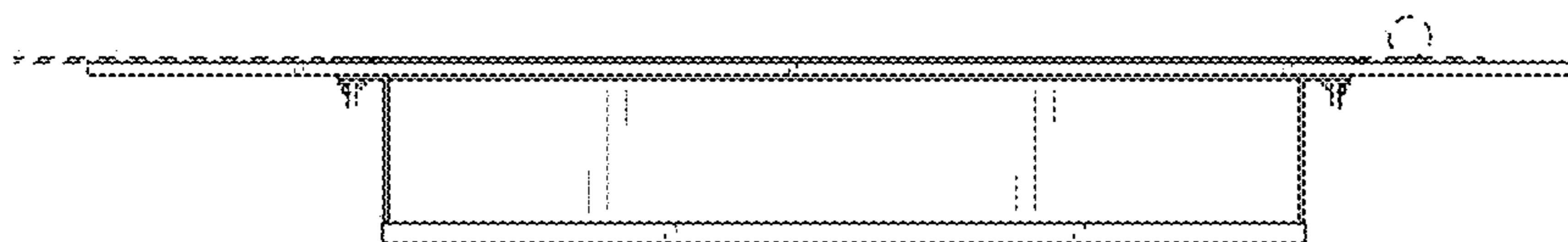


FIG. 7

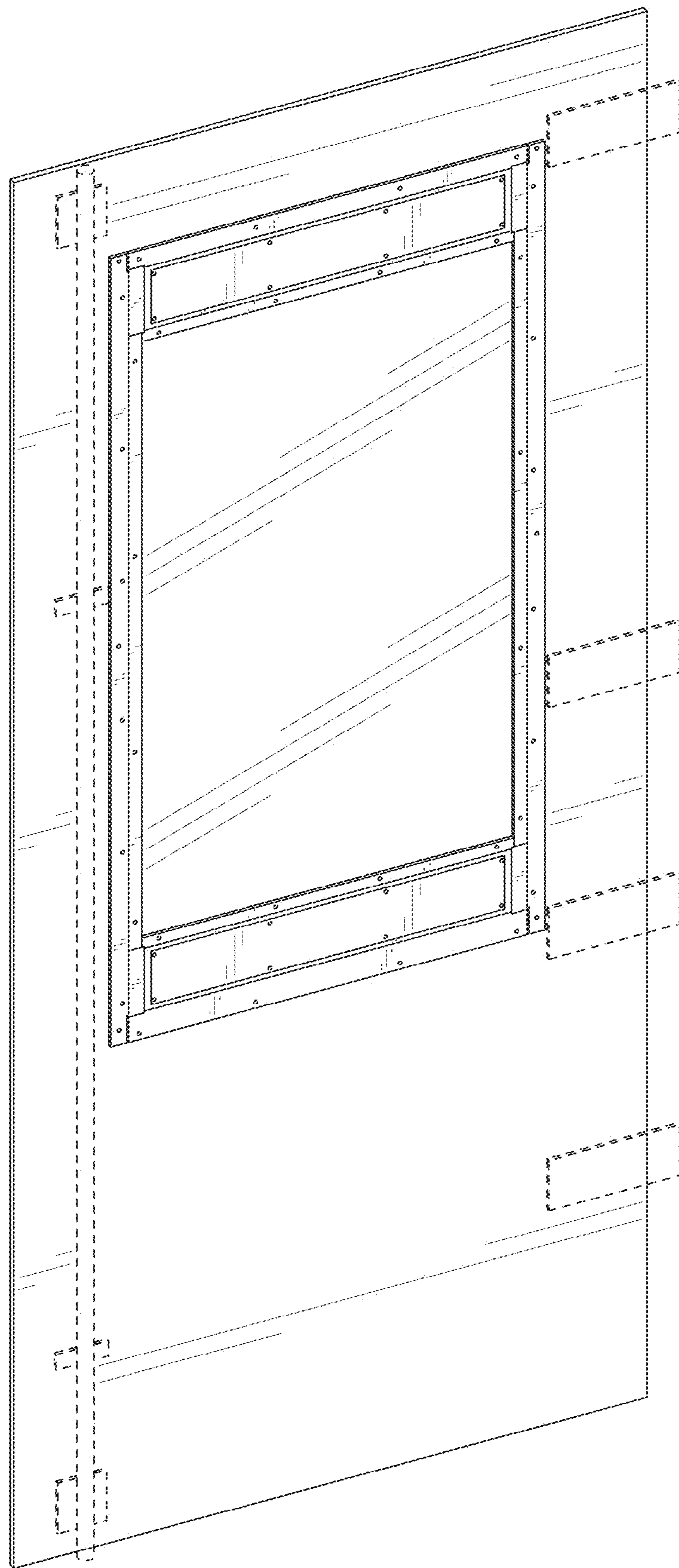


FIG. 8

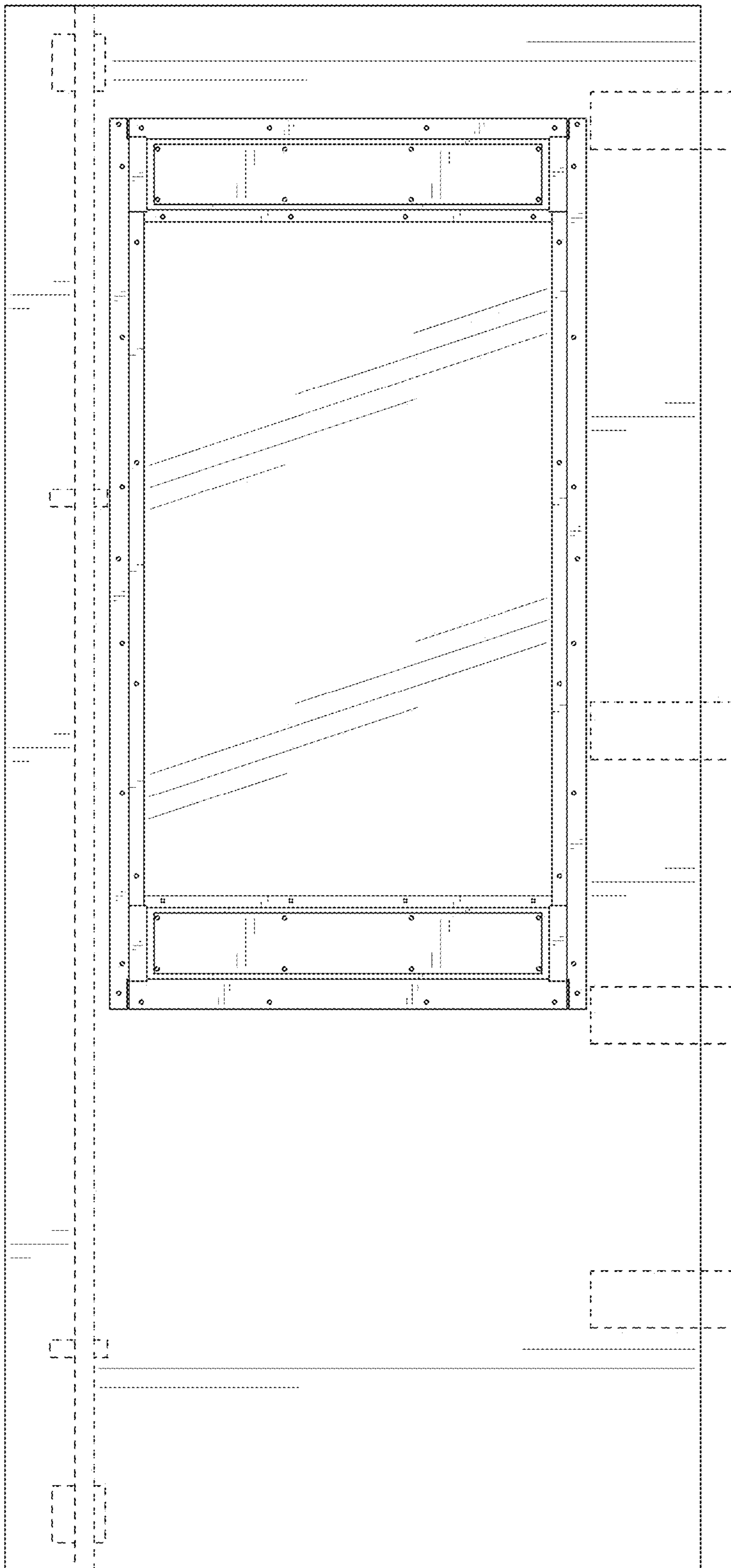


FIG. 9

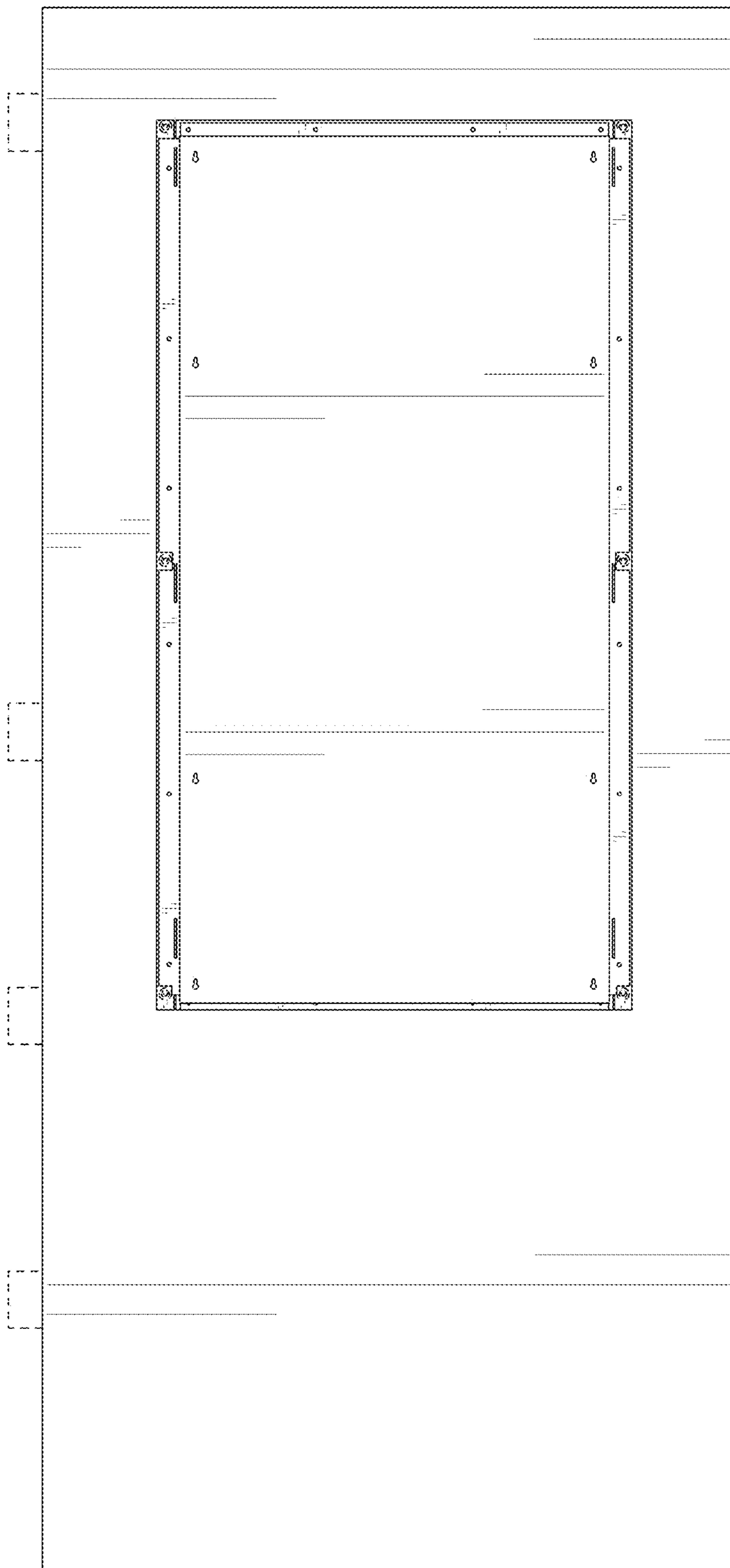


FIG. 10

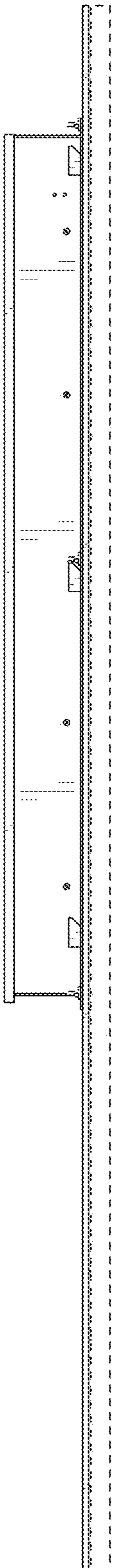


FIG. 11

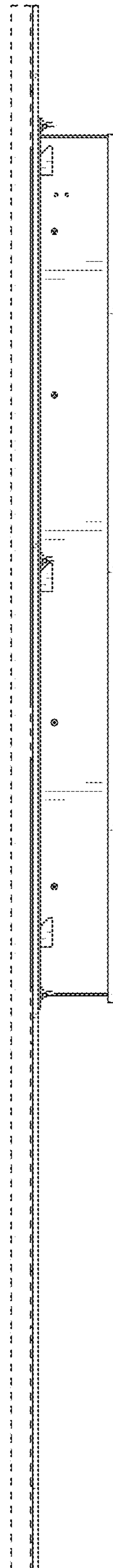


FIG. 12

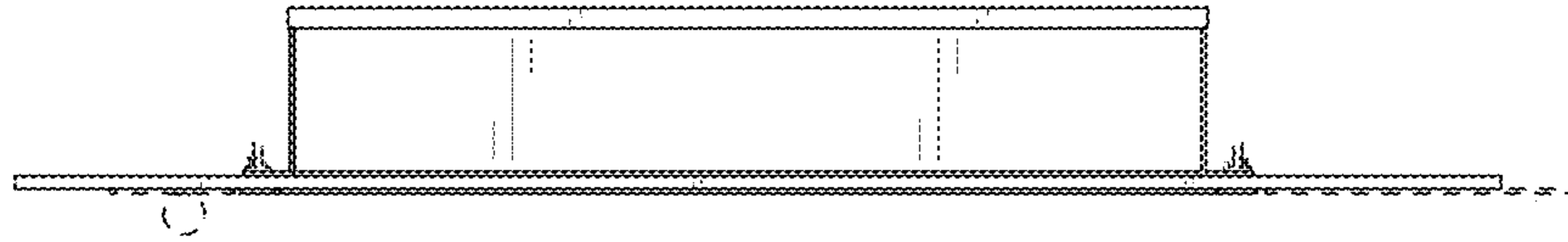


FIG. 13

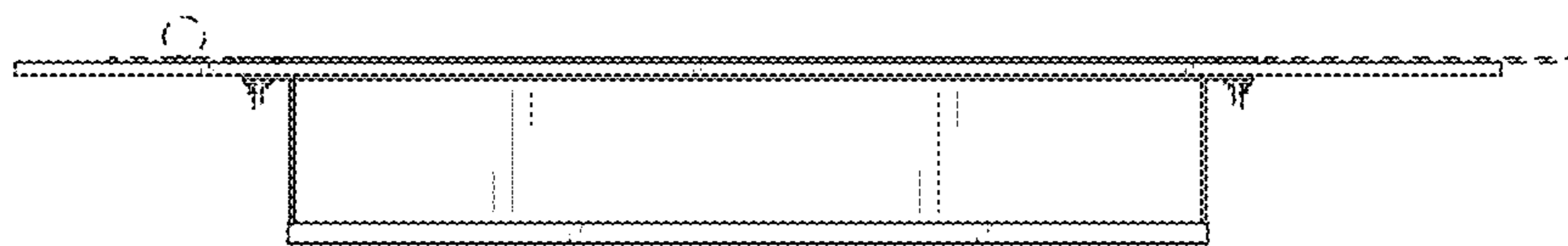


FIG. 14