



US00D912273S

(12) **United States Design Patent**
Hsu et al.

(10) **Patent No.:** **US D912,273 S**
(45) **Date of Patent:** **** Mar. 2, 2021**

(54) **TEST STRIP**

(71) Applicant: **BONRAYBIO CO., LTD.**, Taichung (TW)

(72) Inventors: **Cheng-Teng Hsu**, Taichung (TW);
Chih-Pin Chang, Taichung (TW);
Hsi-Wen Huang, Taichung (TW);
Kuang-Li Huang, Taichung (TW)

(73) Assignee: **Bonraybio Co., Ltd.**, Taichung (TW)

(**) Term: **15 Years**

(21) Appl. No.: **29/686,019**

(22) Filed: **Apr. 2, 2019**

(51) **LOC (13) Cl.** **24-02**

(52) **U.S. Cl.**
USPC **D24/225**

(58) **Field of Classification Search**
USPC D24/107, 169, 186, 216–217, 219,
D24/222–226, 227, 231, 232; D8/81
CPC B01L 2300/0822; B01L 2300/0825; B01L
3/502707

See application file for complete search history.

(56) **References Cited**

U.S. PATENT DOCUMENTS

D403,975	S	*	1/1999	Douglas	D10/81
5,939,331	A	*	8/1999	Burd	G01N 33/54366 435/7.9
D512,512	S	*	12/2005	Bell	D24/225
D640,389	S	*	6/2011	Francis	D24/225
D655,424	S	*	3/2012	Castanon	D24/225
D668,350	S	*	10/2012	Rowley	D24/225
D734,482	S	*	7/2015	Peterman	D24/216
D770,057	S	*	10/2016	Snider	D24/223
D816,862	S	*	5/2018	Hsu	D24/225
D816,863	S	*	5/2018	Hsu	D24/225
D831,224	S	*	10/2018	Hsu	D24/225

D851,273	S	*	6/2019	Frezal	D24/223
2005/0266499	A1	*	12/2005	Tan	G01N 33/558 435/7.1
2014/0271400	A1	*	9/2014	Cheng	B01L 3/5023 422/417

(Continued)

FOREIGN PATENT DOCUMENTS

CN	201430133058	*	5/2014
CN	201730462766	*	9/2017

OTHER PUBLICATIONS

Semen Test Cassette. Online, published date unknown. Retrieved on Jul. 17, 2020 from URL: <https://www.bonraybio.com/en/product.php?act=view&id=6>.*

Primary Examiner — Susan Bennett Hattan

Assistant Examiner — Omeed Agilee

(74) *Attorney, Agent, or Firm* — Rosenberg, Klein & Lee

(57) **CLAIM**

The ornamental design for a test strip, as shown and described.

DESCRIPTION

FIG. 1 is a perspective view of a test strip showing our new design;

FIG. 2 is a front elevational view thereof;

FIG. 3 is a rear elevational view thereof;

FIG. 4 is a left side elevational view thereof;

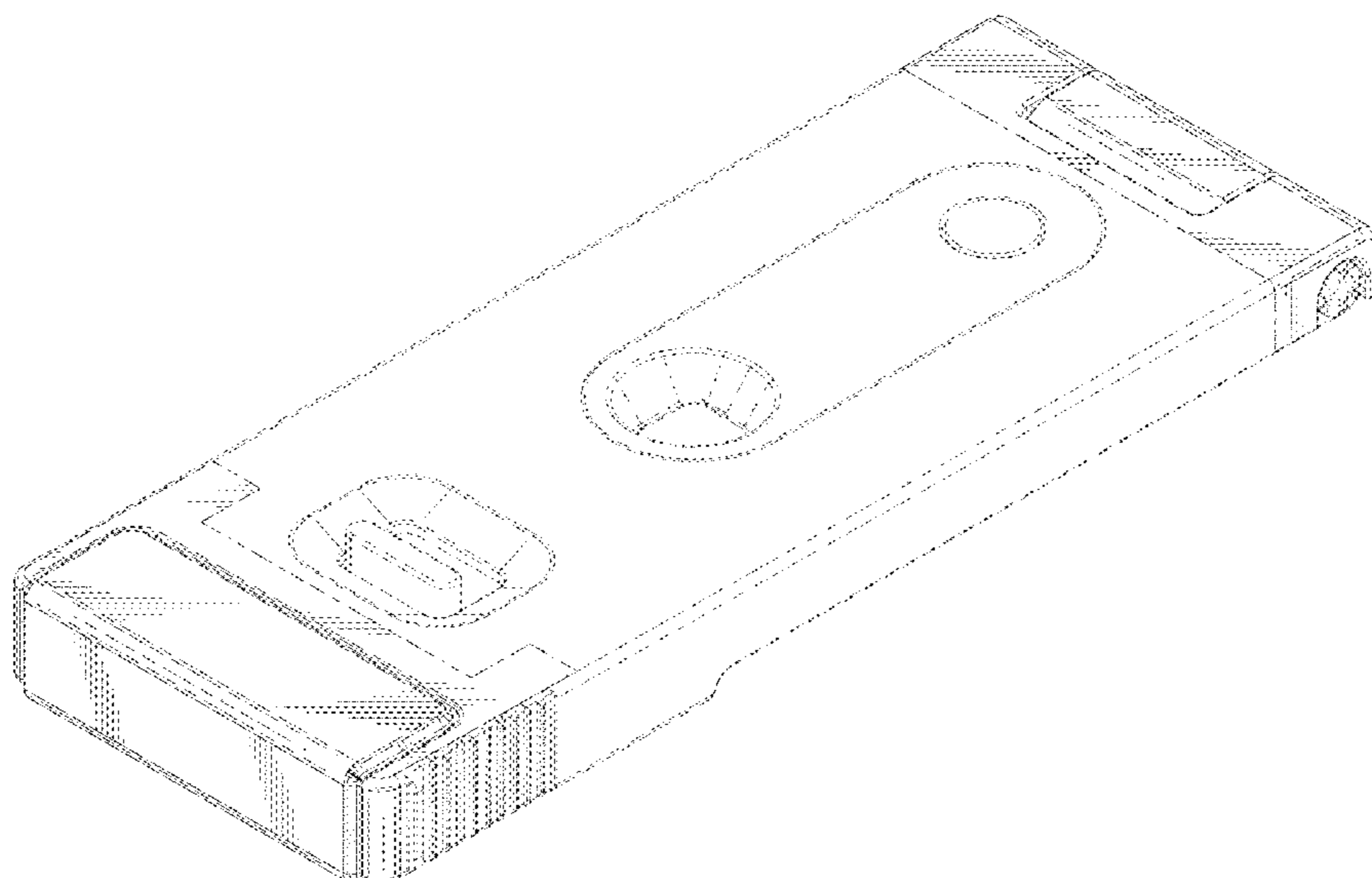
FIG. 5 is a right side elevational view thereof;

FIG. 6 is a top plan view thereof; and,

FIG. 7 is a bottom plan view thereof.

The dash-dot broken lines are for defining the bounds of the claimed design only and form no part of the claimed design. The evenly dotted broken lines, the areas within them, and the areas bounded by both evenly dotted broken lines and solid lines depict portions of the test strip that form no part of the claimed design.

1 Claim, 7 Drawing Sheets



(56)

References Cited

U.S. PATENT DOCUMENTS

2015/0303432 A1 * 10/2015 Huang H01M 2/1044
429/98

* cited by examiner

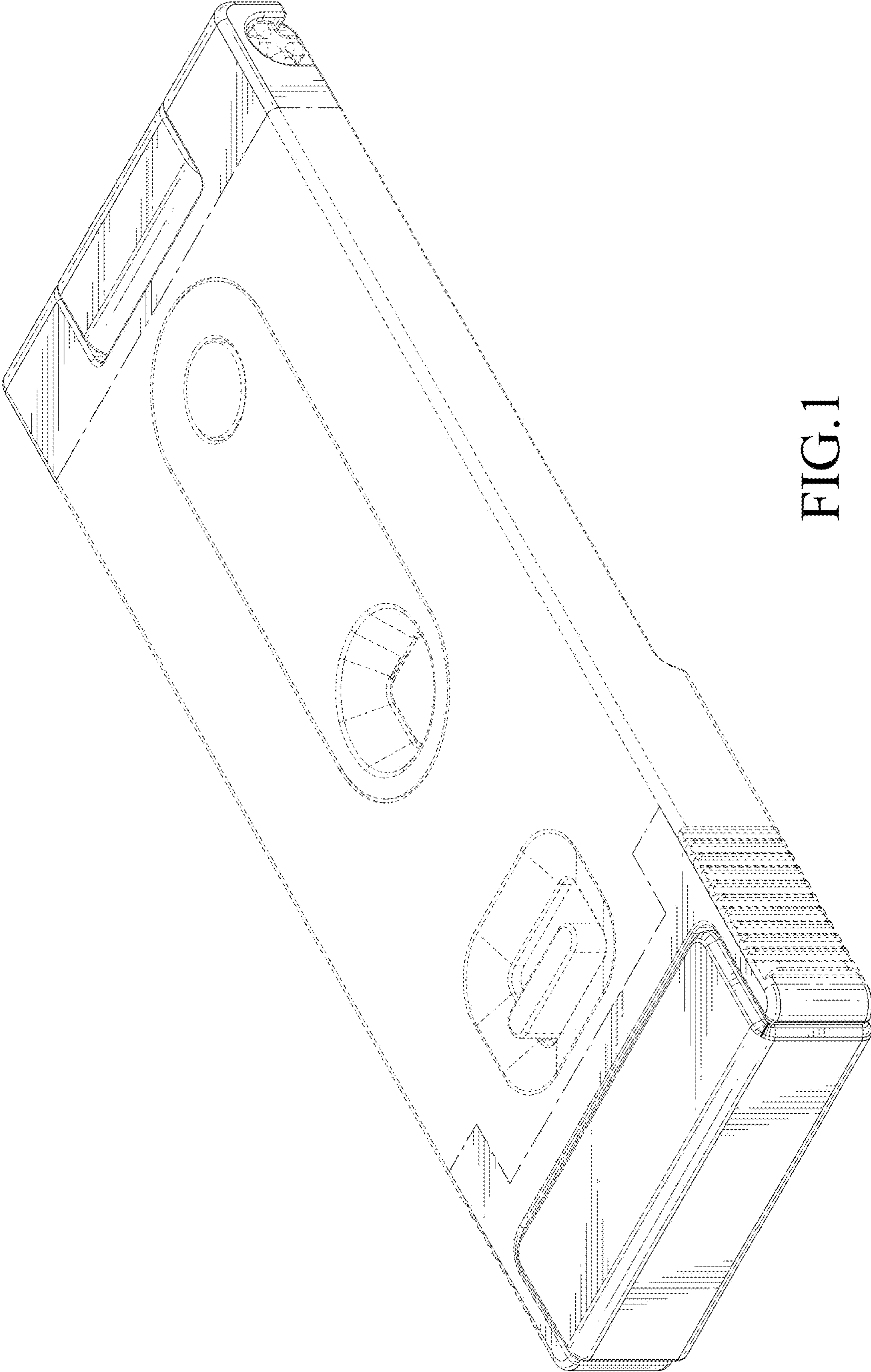


FIG. 1

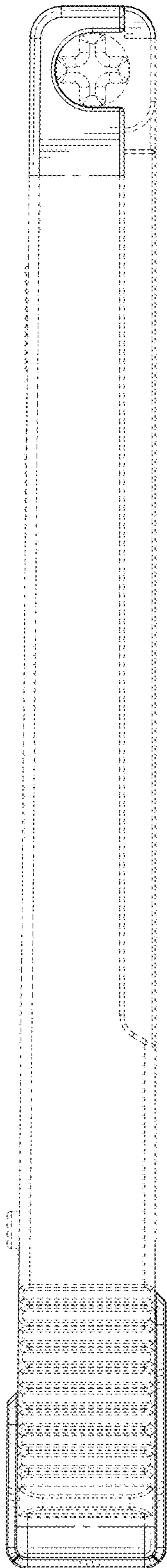


FIG.2

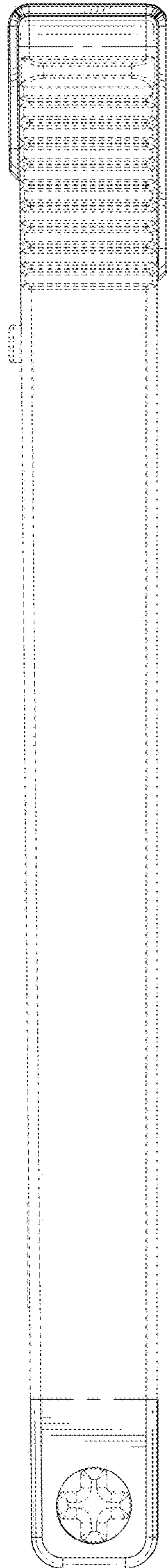


FIG.3

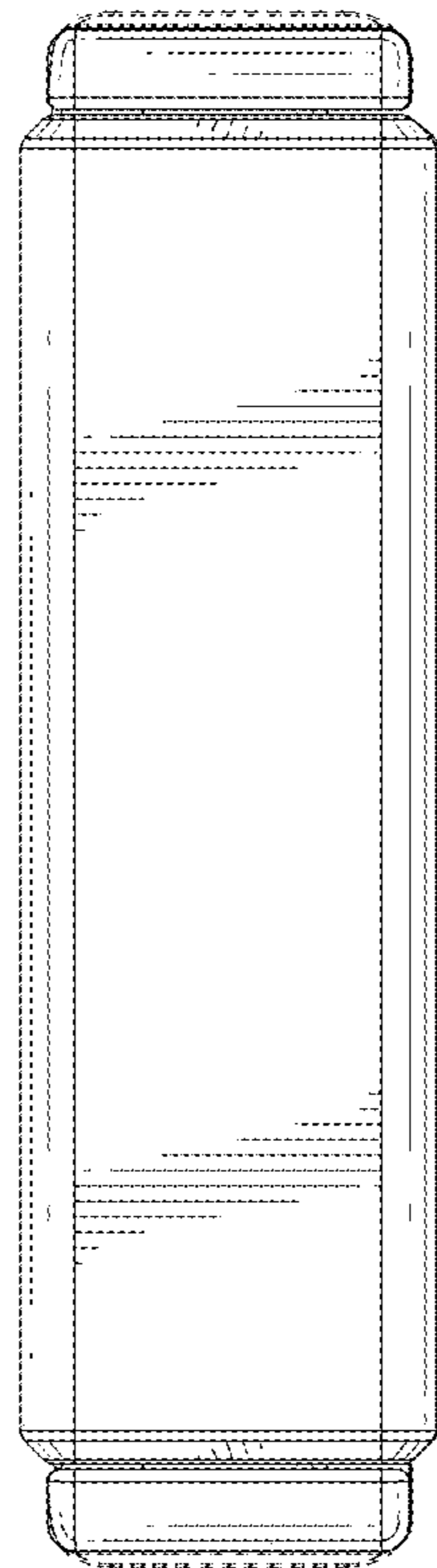


FIG.4

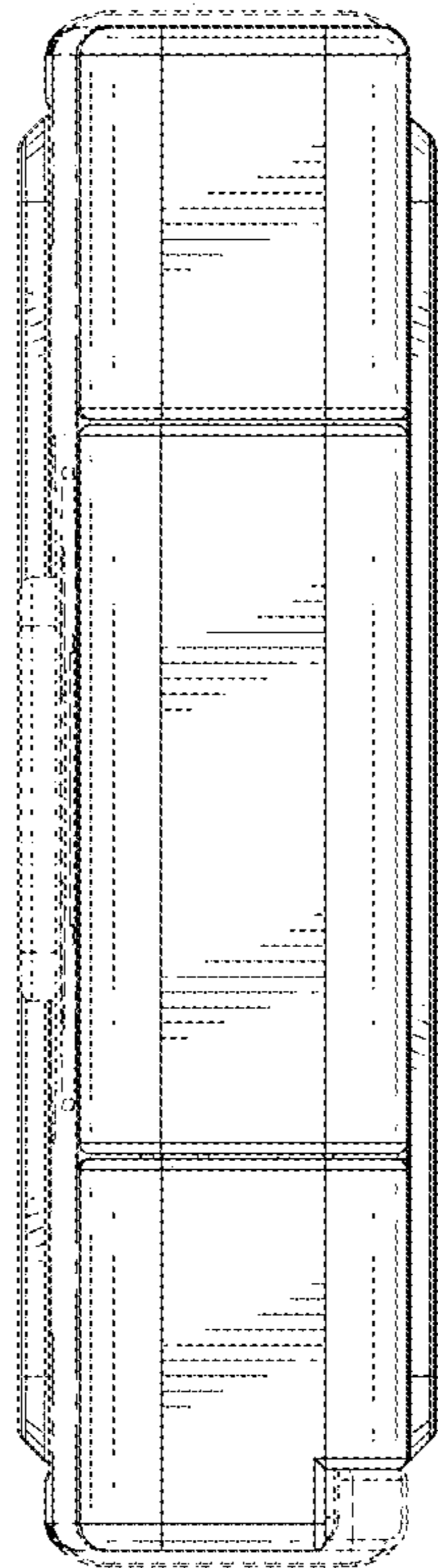


FIG. 5

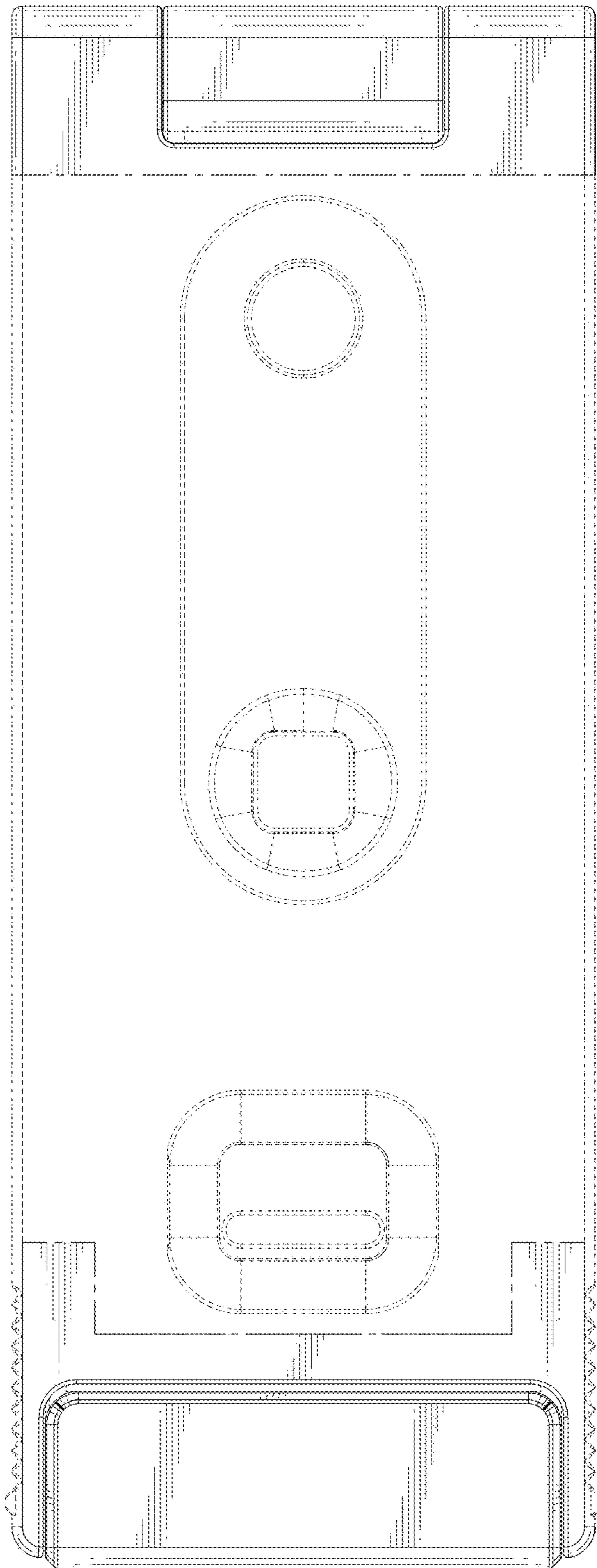


FIG.6

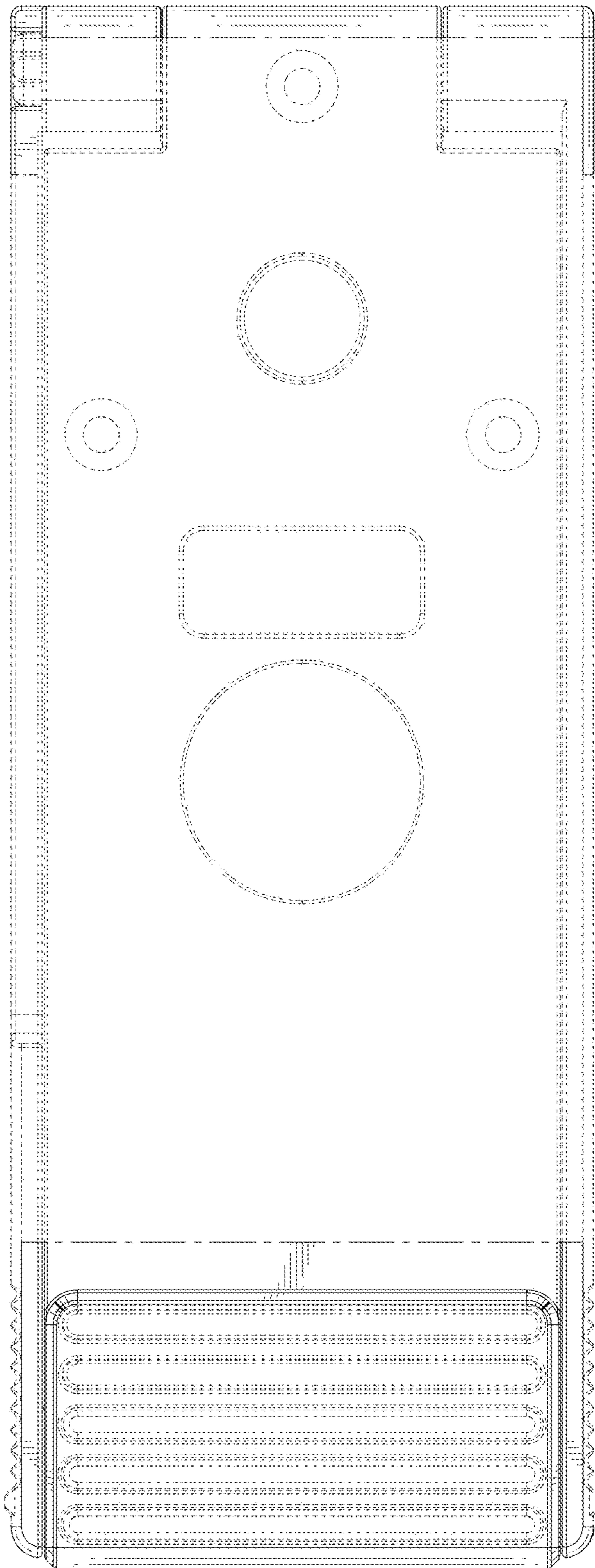


FIG. 7