



US00D912272S

(12) **United States Design Patent** (10) **Patent No.:** **US D912,272 S**
Self et al. (45) **Date of Patent:** **** Mar. 2, 2021**

(54) **PROCESS PLATE**
(71) Applicant: **Becton, Dickinson and Company**,
Franklin Lakes, NJ (US)
(72) Inventors: **Brian A. Self**, Monkton, MD (US);
Dwight Livingston, Fallston, MD (US)

D608,013 S 1/2010 Coulling et al.
D618,820 S 6/2010 Wilson et al.
D624,194 S 9/2010 Pack et al.
D673,294 S 12/2012 Motadel
D677,400 S 3/2013 Blaettler et al.
(Continued)

(73) Assignee: **Becton, Dickinson and Company**,
Franklin Lakes, NJ (US)

FOREIGN PATENT DOCUMENTS

AU 201614442 C1 11/2016

(**) Term: **15 Years**
(21) Appl. No.: **29/732,678**
(22) Filed: **Apr. 27, 2020**

OTHER PUBLICATIONS

US D878,623 S, 03/2020, Self et al. (withdrawn)
(Continued)

Related U.S. Application Data

(62) Division of application No. 29/664,909, filed on Sep. 28, 2018.
(51) **LOC (13) Cl.** **24-02**
(52) **U.S. Cl.**
USPC **D24/224**
(58) **Field of Classification Search**
USPC D24/107, 121–123, 216–217, 219,
D24/223–226, 227, 229–231, 232;
D6/406.1–406.3, 406.6; D3/203.1, 304;
D19/37
CPC B01L 3/50853; B01L 9/065; B01L 9/543
See application file for complete search history.

Primary Examiner — Susan Bennett Hattan
Assistant Examiner — Omeed Agilee
(74) *Attorney, Agent, or Firm* — Lerner, David,
Littenberg, Krumholz & Mentlik, LLP

(57) **CLAIM**

The ornamental design for a process plate, as shown and described.

DESCRIPTION

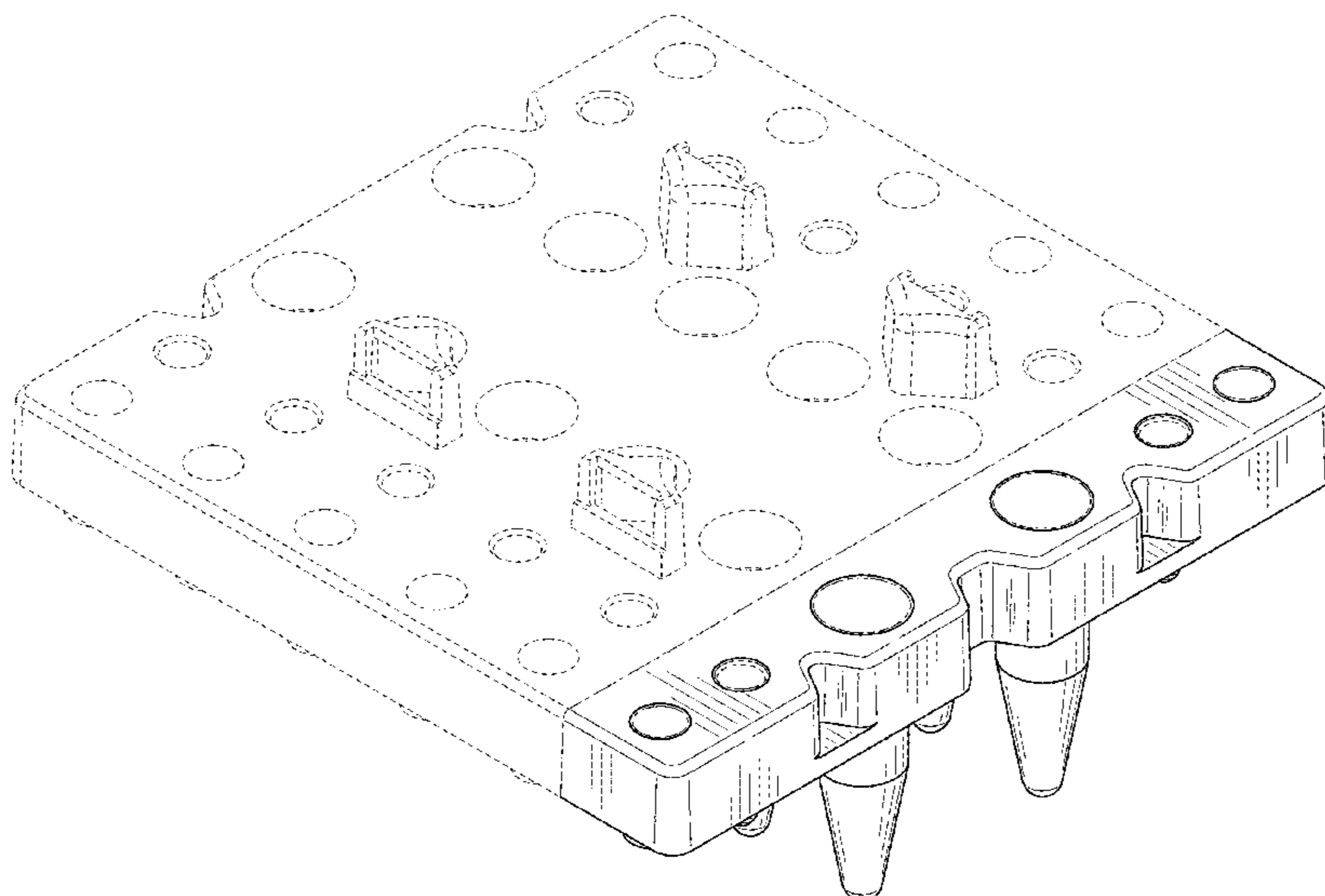
FIG. 1 is a front perspective view of a process plate according to our design;
FIG. 2 is a front elevation view thereof;
FIG. 3 is a rear elevation view thereof;
FIG. 4 is a right side elevation view thereof;
FIG. 5 is a left side elevation view thereof;
FIG. 6 is a top plan view thereof;
FIG. 7 is a bottom plan view thereof; and,
FIG. 8 is a rear bottom perspective view thereof.
The broken lines of even length shown in the drawings depict portions of the process plate that form no part of the claimed design. The broken lines of uneven length shown in the drawings depict boundary lines that form no part of the claimed design.

(56) **References Cited**

U.S. PATENT DOCUMENTS

D273,363 S * 4/1984 Hagedorn D9/425
4,599,315 A * 7/1986 Terasaki B01L 3/5085
356/244
D337,165 S 7/1993 Malinoff
D420,743 S 2/2000 Monks
6,558,631 B1 5/2003 Day
6,601,725 B2 8/2003 Lafond et al.
D574,506 S 8/2008 Monks
D598,566 S 8/2009 Allaer

1 Claim, 6 Drawing Sheets



(56)

References Cited

U.S. PATENT DOCUMENTS

D679,830 S * 4/2013 May D24/224
 D690,027 S 9/2013 Motadel
 D697,227 S 1/2014 Motadel
 D699,371 S 2/2014 Williams et al.
 D699,859 S 2/2014 Motadel
 D700,712 S * 3/2014 May D24/224
 D702,854 S 4/2014 Nakahana et al.
 D703,345 S 4/2014 Tajima et al.
 8,728,415 B2 5/2014 Seippel
 D710,024 S 7/2014 Guo
 D718,465 S 11/2014 Tajima et al.
 D729,942 S 5/2015 Keizer et al.
 9,180,456 B2 11/2015 Malinoski et al.
 D768,873 S * 10/2016 Stedman D24/227
 D778,459 S 2/2017 Tajima
 D792,981 S 7/2017 Tajima
 D793,573 S 8/2017 Karmeniemi
 9,802,196 B2 10/2017 Taunk
 D804,050 S * 11/2017 Coulling D24/224
 D808,540 S * 1/2018 Johns D24/227
 D815,753 S 4/2018 Curry et al.
 D825,774 S 8/2018 Becton
 D826,425 S 8/2018 Muller et al.
 D827,149 S 8/2018 Self et al.
 D844,806 S 4/2019 Johns et al.
 D848,638 S 5/2019 Sims et al.
 D849,961 S 5/2019 Muller et al.

D854,707 S 7/2019 Jakobsen et al.
 D862,724 S 10/2019 Sims et al.
 D868,288 S * 11/2019 Muller D24/230
 D868,289 S 11/2019 Muller et al.
 D868,996 S 12/2019 Muller et al.
 D875,272 S * 2/2020 Muller D24/224
 2005/0136546 A1 6/2005 Berndt et al.
 2006/0257292 A1 11/2006 Motadel
 2008/0284602 A1 11/2008 Morris et al.
 2010/0080734 A1 4/2010 Brophy et al.
 2010/0119418 A1 5/2010 Clements et al.
 2010/0314051 A1 12/2010 Barger et al.
 2012/0257953 A1 10/2012 Williams et al.
 2013/0161225 A1 6/2013 Lepot
 2014/0205518 A1 7/2014 Malinoski et al.
 2014/0234182 A1 8/2014 Motadel et al.
 2016/0319329 A1 11/2016 Natale et al.

OTHER PUBLICATIONS

Design U.S. Appl. No. 29/657,941, filed Jul. 26, 2018, entitled "Process Plate".
 Design U.S. Appl. No. 29/658,064, filed Jul. 27, 2018, entitled "Process Plate".
<https://www.google.com/search?q=process+plate&source=lnms&tbm=isch&sa=X&ved=> Aug. 12, 2019.
 Canadian Examination Report for Application No. 195890 dated Sep. 3, 2020, 4 pages.

* cited by examiner

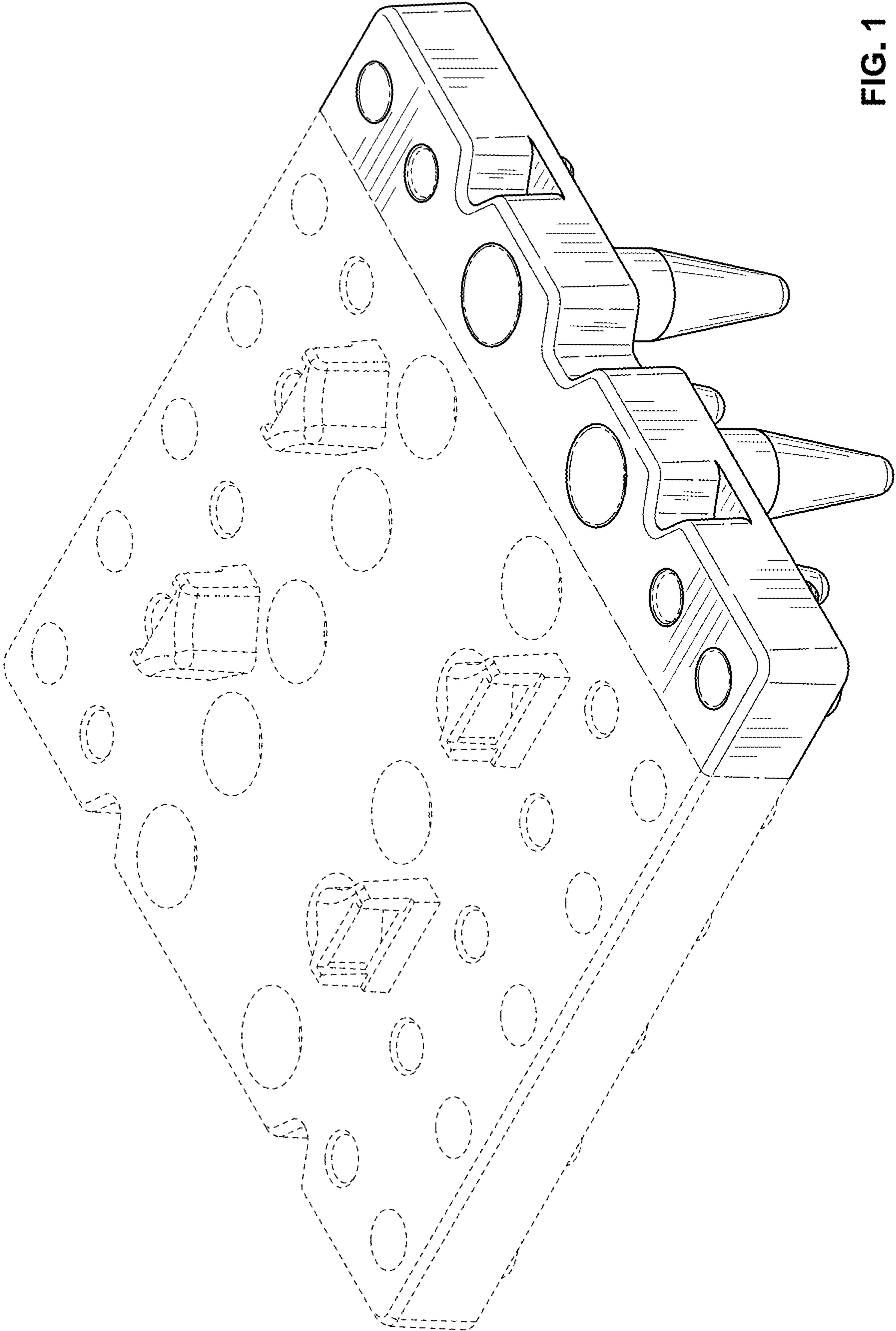


FIG. 1

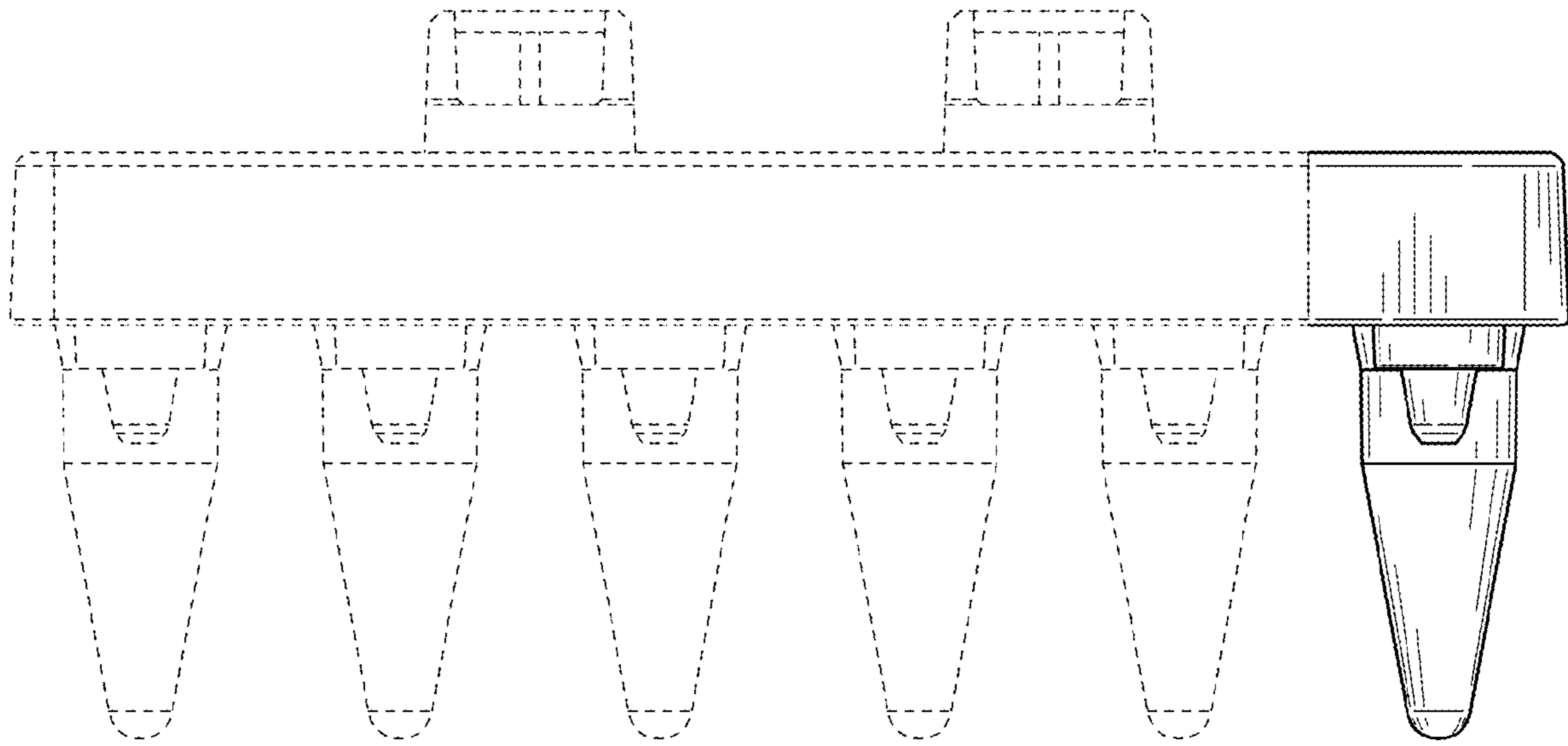


FIG. 2

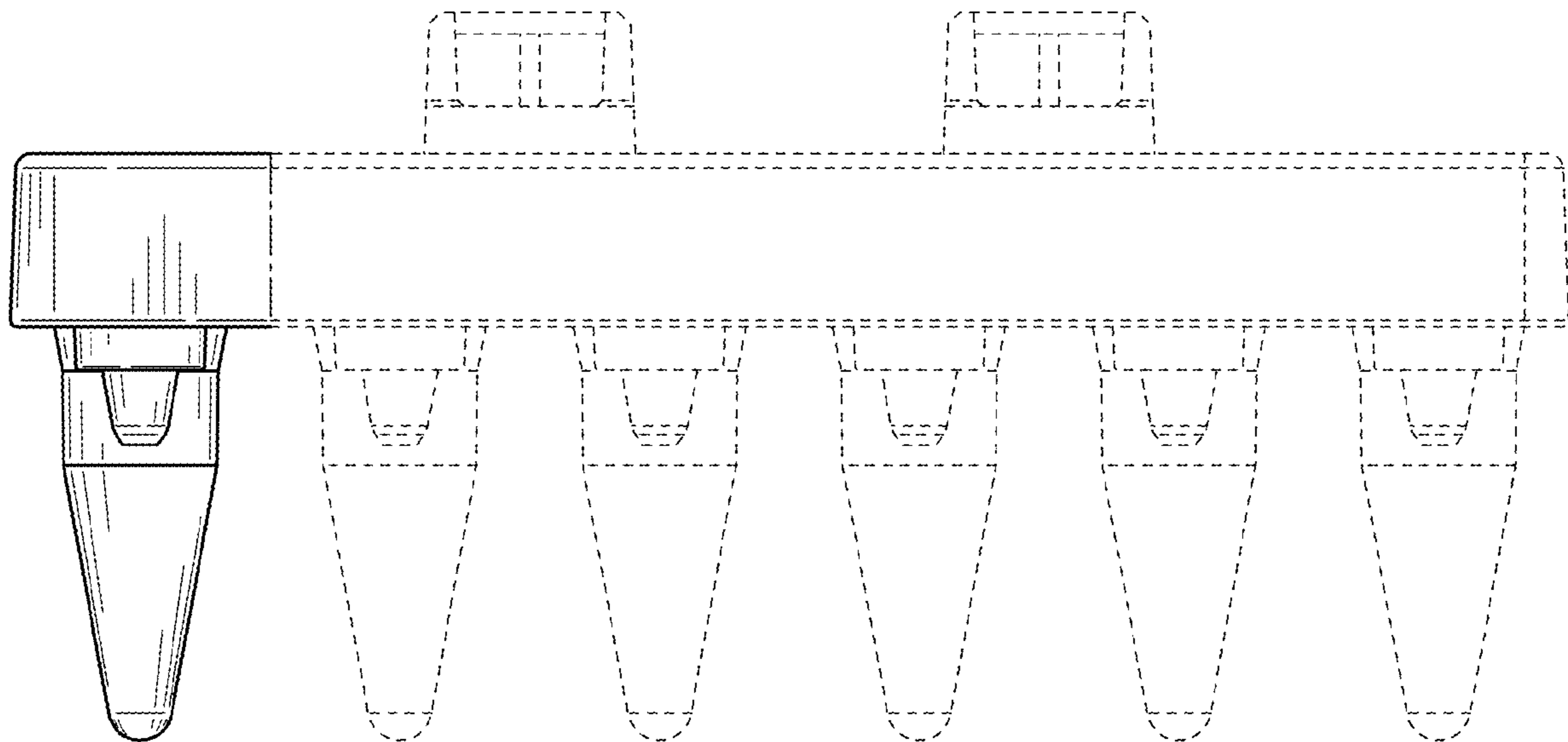


FIG. 3

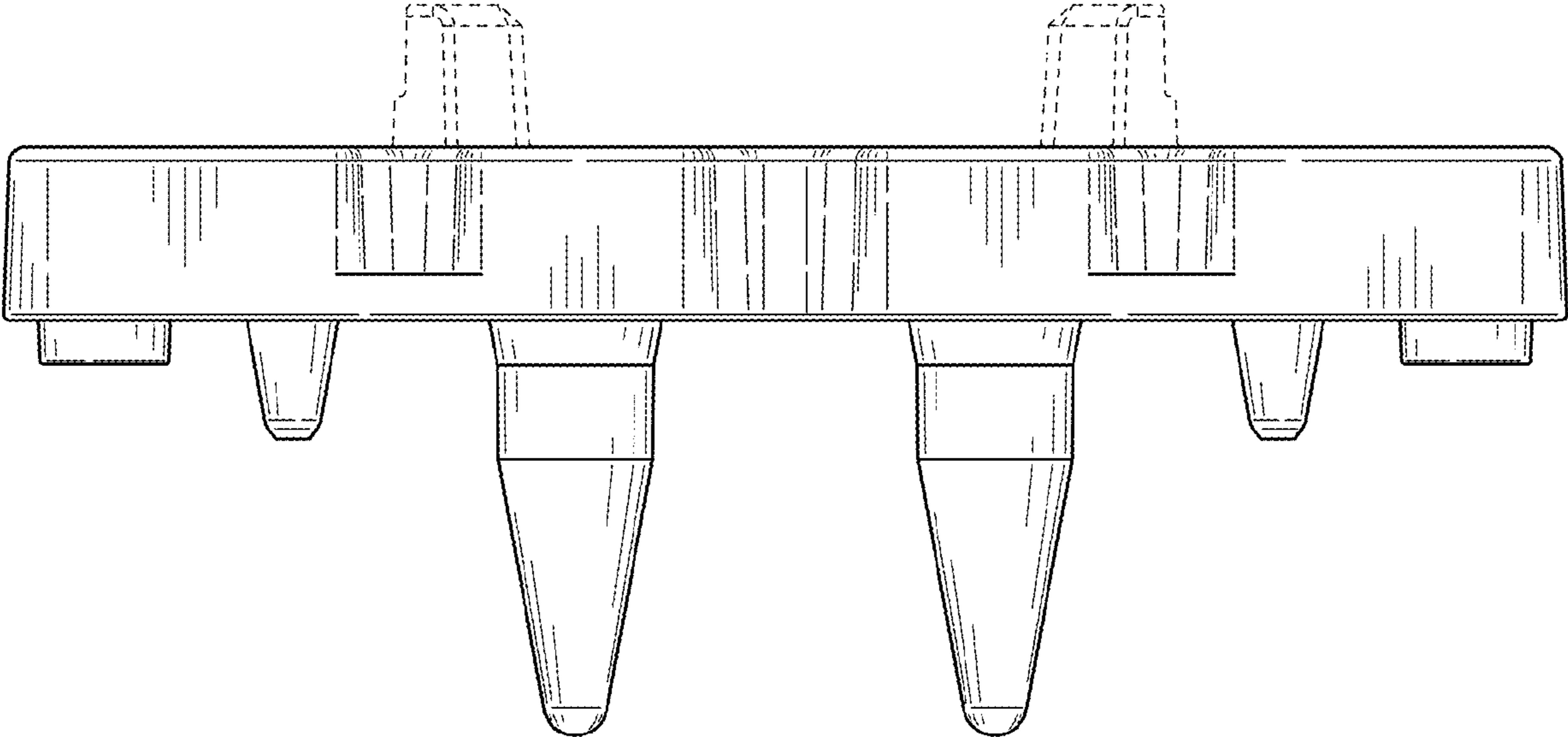


FIG. 4

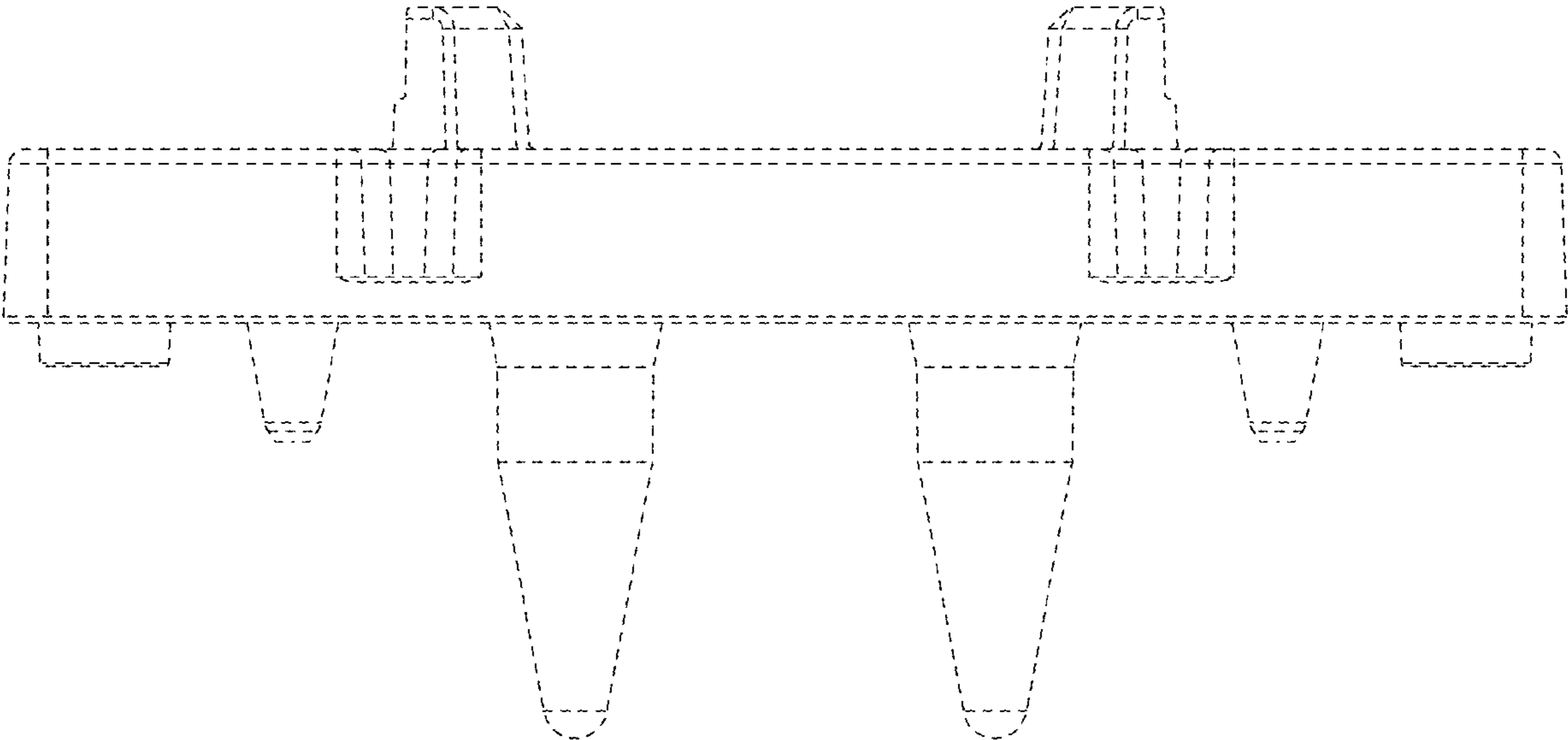


FIG. 5

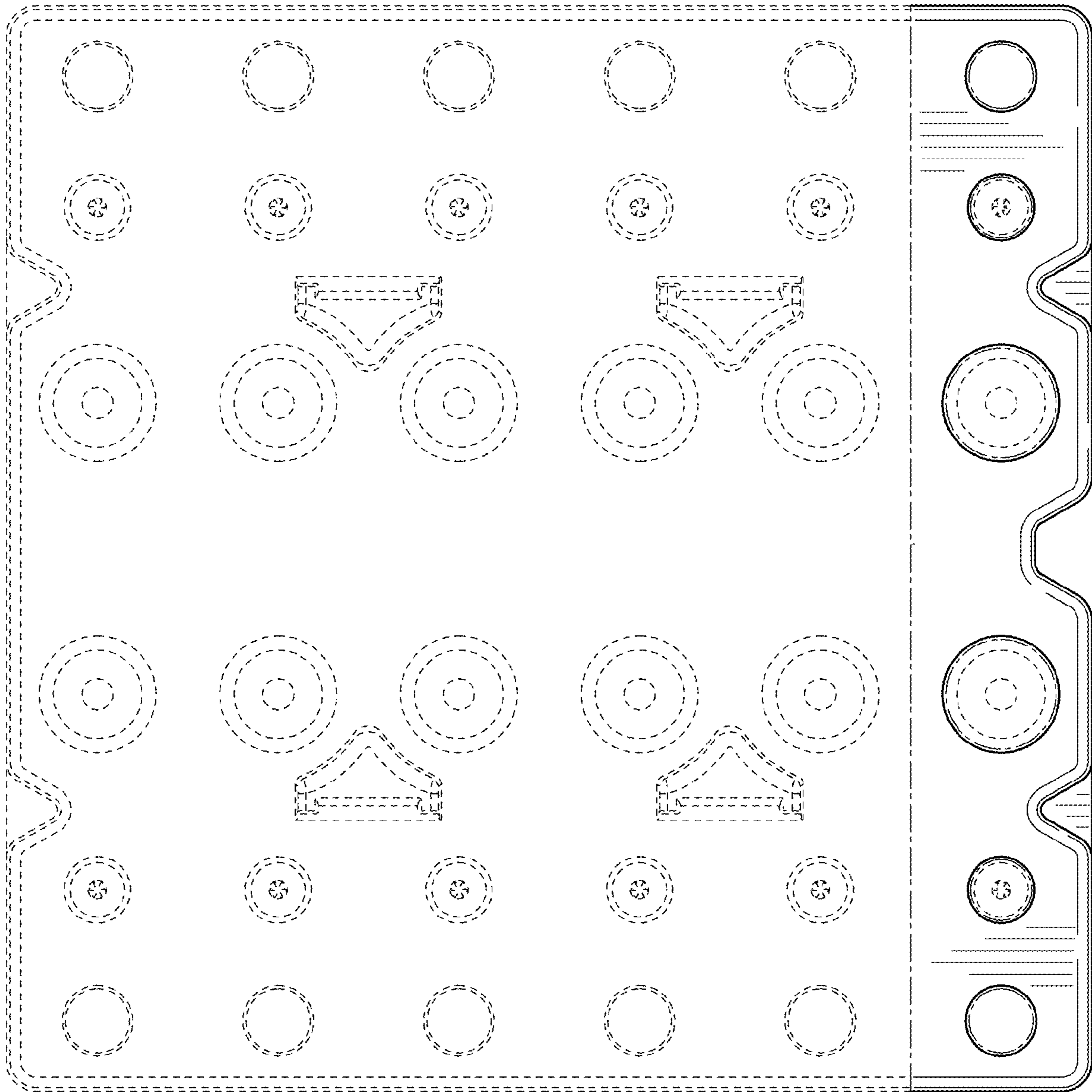


FIG. 6

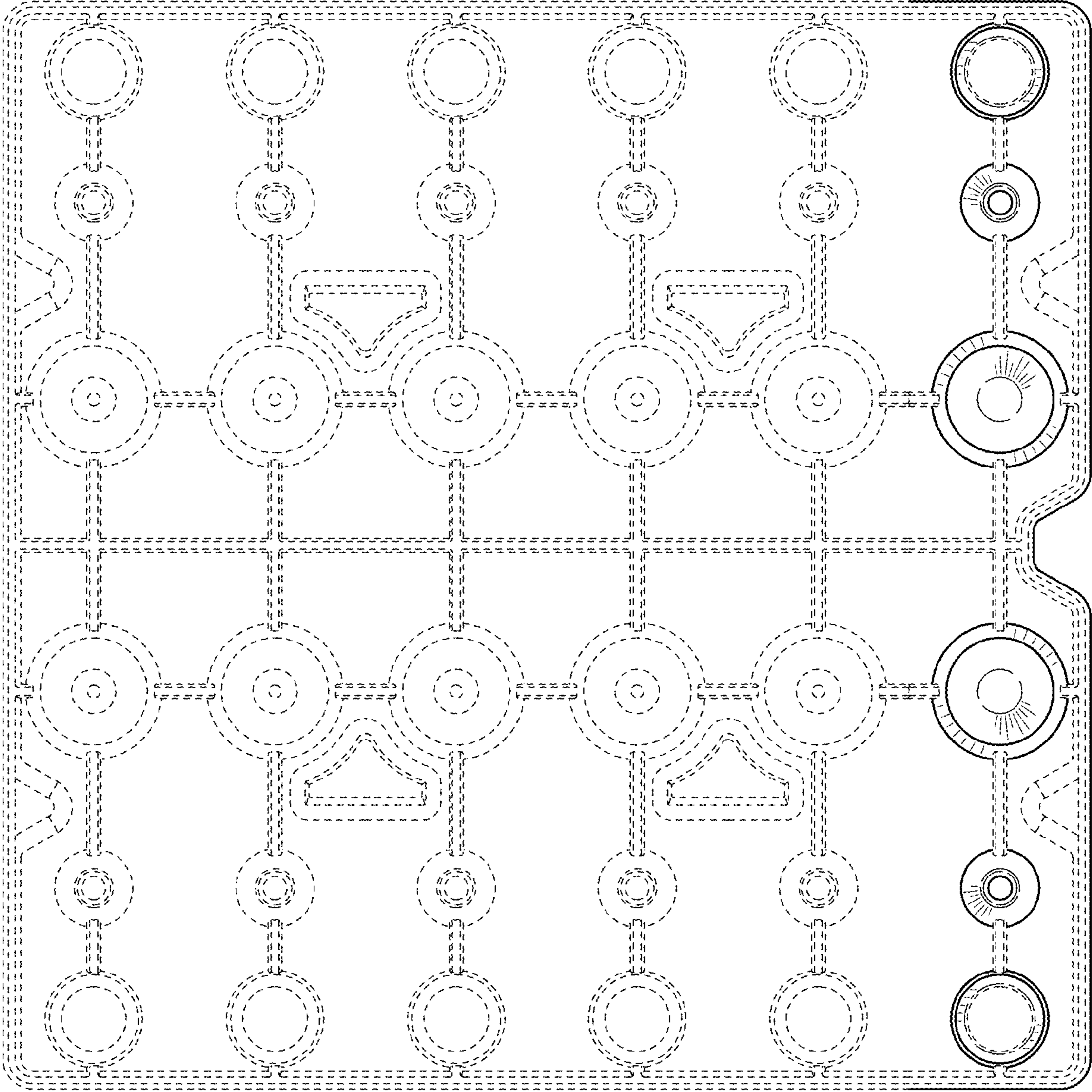


FIG. 7

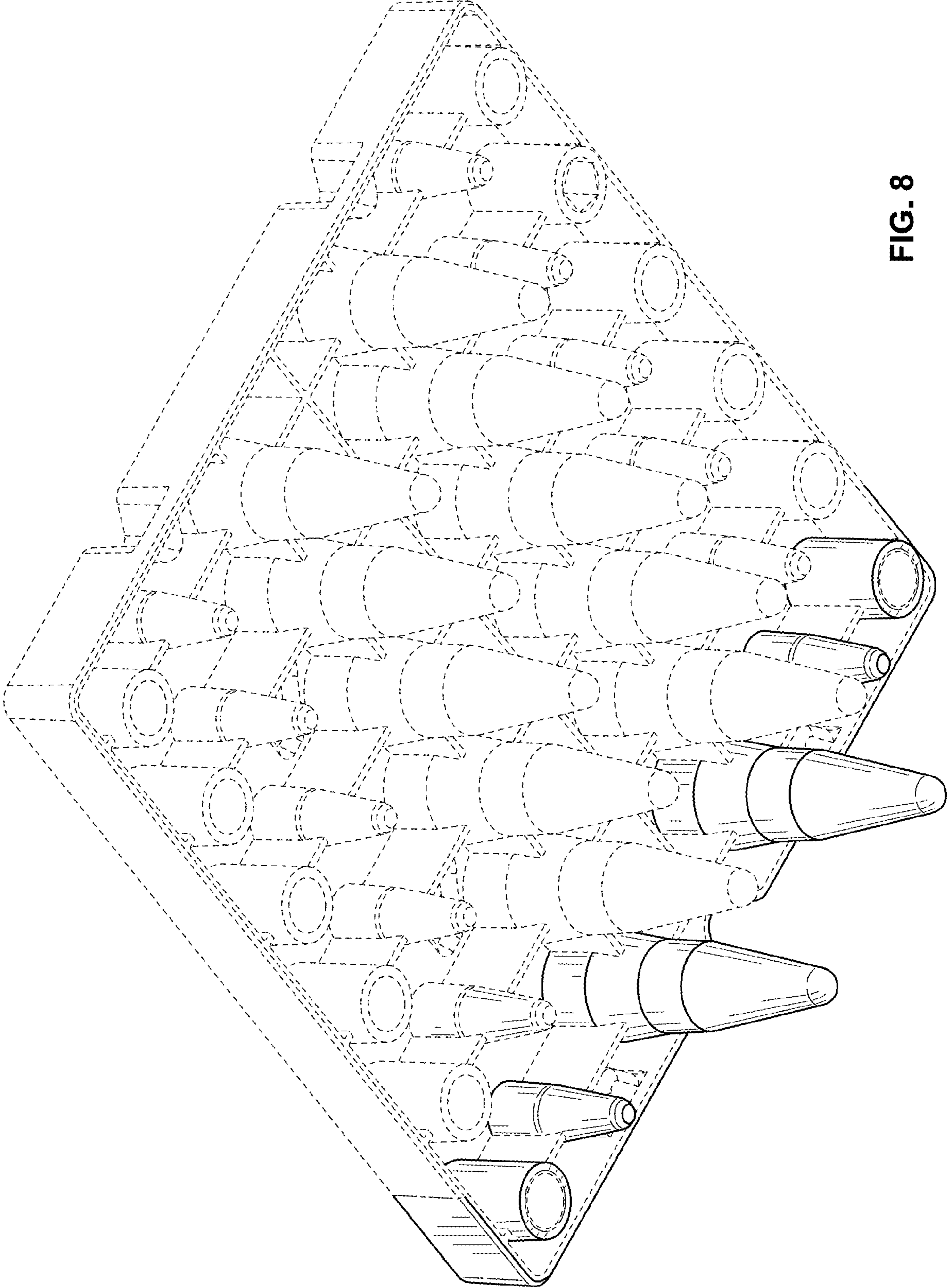


FIG. 8