



US00D912271S

(12) **United States Design Patent** (10) **Patent No.:** **US D912,271 S**
Rathbone et al. (45) **Date of Patent:** **** Mar. 2, 2021**

(54) **CONTAINER**
(71) Applicant: **Berns Medical, LLC**, Macomb, MI (US)
(72) Inventors: **Mark A. Rathbone**, New Baltimore, MI (US); **Steven C. Elliott**, New Baltimore, MI (US); **Michael A. Vettrano**, Lake Orion, MI (US)
(73) Assignee: **Berns Medical, LLC**, Macomb, MI (US)
(**) Term: **15 Years**
(21) Appl. No.: **29/706,325**
(22) Filed: **Sep. 19, 2019**
(51) **LOC (13) Cl.** **24-02**
(52) **U.S. Cl.**
USPC **D24/224**
(58) **Field of Classification Search**
USPC D24/121-123, 207, 216, 224, 226, 227, D24/229, 230; D7/510, 511, 523; D9/503, 504, 529, 537, 539, 540, 547, D9/549
CPC A61B 10/007; A61B 2010/0009; A61J 1/1412; G01N 33/558
See application file for complete search history.

D672,457 S * 12/2012 Foley D24/123
D717,462 S * 11/2014 Wainwright D24/216
D756,790 S * 5/2016 Henriksson D9/504
D771,804 S * 11/2016 York D24/123
D773,683 S * 12/2016 Kuroda D24/224
D787,880 S * 5/2017 Esteban Bautista D7/354
10,245,380 B2 4/2019 Fisher
(Continued)

FOREIGN PATENT DOCUMENTS

EP 3087010 B1 12/2018

OTHER PUBLICATIONS

Parter Medical Products™ Nonsterile Specimen Containers. Online, published date unknown. Retrieved on Dec. 22, 2020 from URL: <https://www.fishersci.com/shop/products/parter-medical-nonsterile-specimen-containers-11/p-2708157> (Year: 2020).*

Primary Examiner — Janice Hallmark
Assistant Examiner — Omeed Agilee
(74) *Attorney, Agent, or Firm* — Warner Norcross + Judd LLP

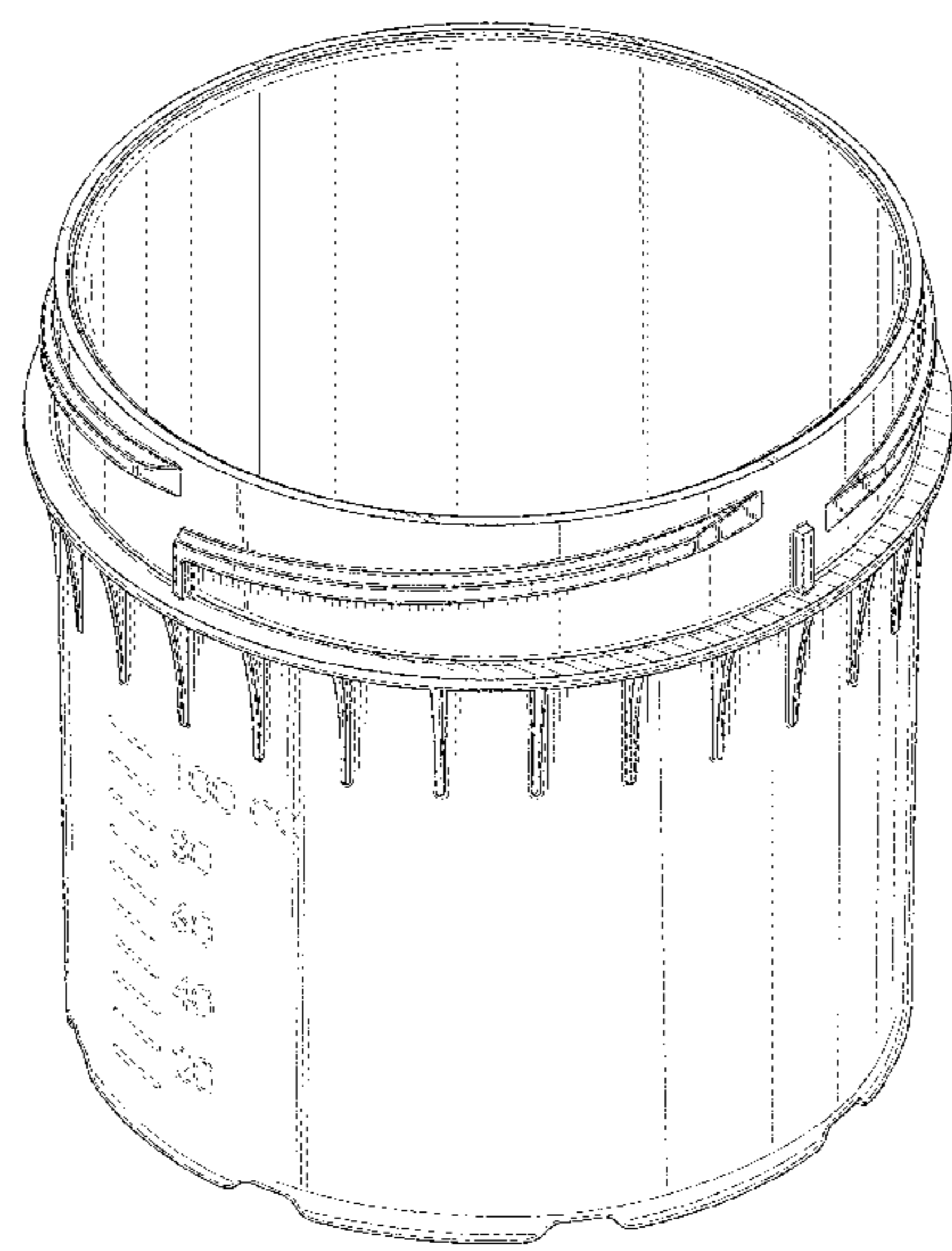
(57) **CLAIM**
The ornamental design for a container, as shown and described.

DESCRIPTION

FIG. 1 is a perspective view of the container;
FIG. 2 is a front view thereof;
FIG. 3 is a rear view thereof;
FIG. 4 is a left side view thereof;
FIG. 5 is a right side view thereof;
FIG. 6 is a top view thereof;
FIG. 7 is a bottom view thereof; and,
FIG. 8 is a section view thereof taken along lines VIII-VIII in FIG. 7.
Features shown in broken lines do not form any part of the claimed design.

1 Claim, 5 Drawing Sheets

(56) **References Cited**
U.S. PATENT DOCUMENTS
D313,353 S * 1/1991 Hart D32/53.1
D317,126 S * 5/1991 Morris, Sr. D9/435
5,119,830 A * 6/1992 Davis B01L 3/502
422/568
5,672,321 A * 9/1997 Daykin A61J 1/1412
215/252
D433,130 S * 10/2000 Cude D24/121
D584,569 S * 1/2009 Buchman D7/602
D584,925 S * 1/2009 Buchman D7/602
D657,610 S * 4/2012 Gupta D7/354



(56)

References Cited

U.S. PATENT DOCUMENTS

2018/0280002 A1* 10/2018 Kopoian A61B 10/007
2018/0325497 A1* 11/2018 Katz B01L 3/5023

* cited by examiner

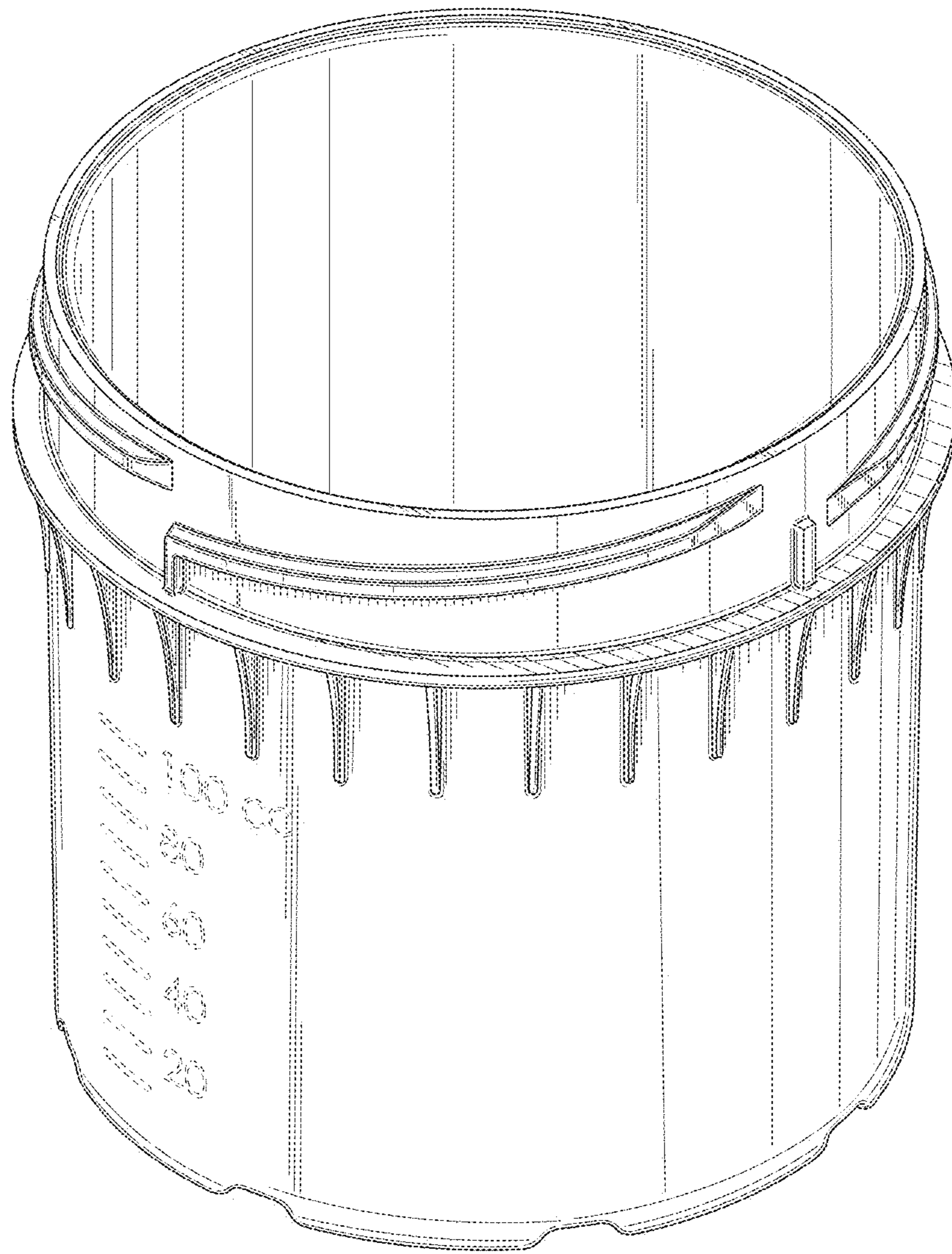


Fig. 1

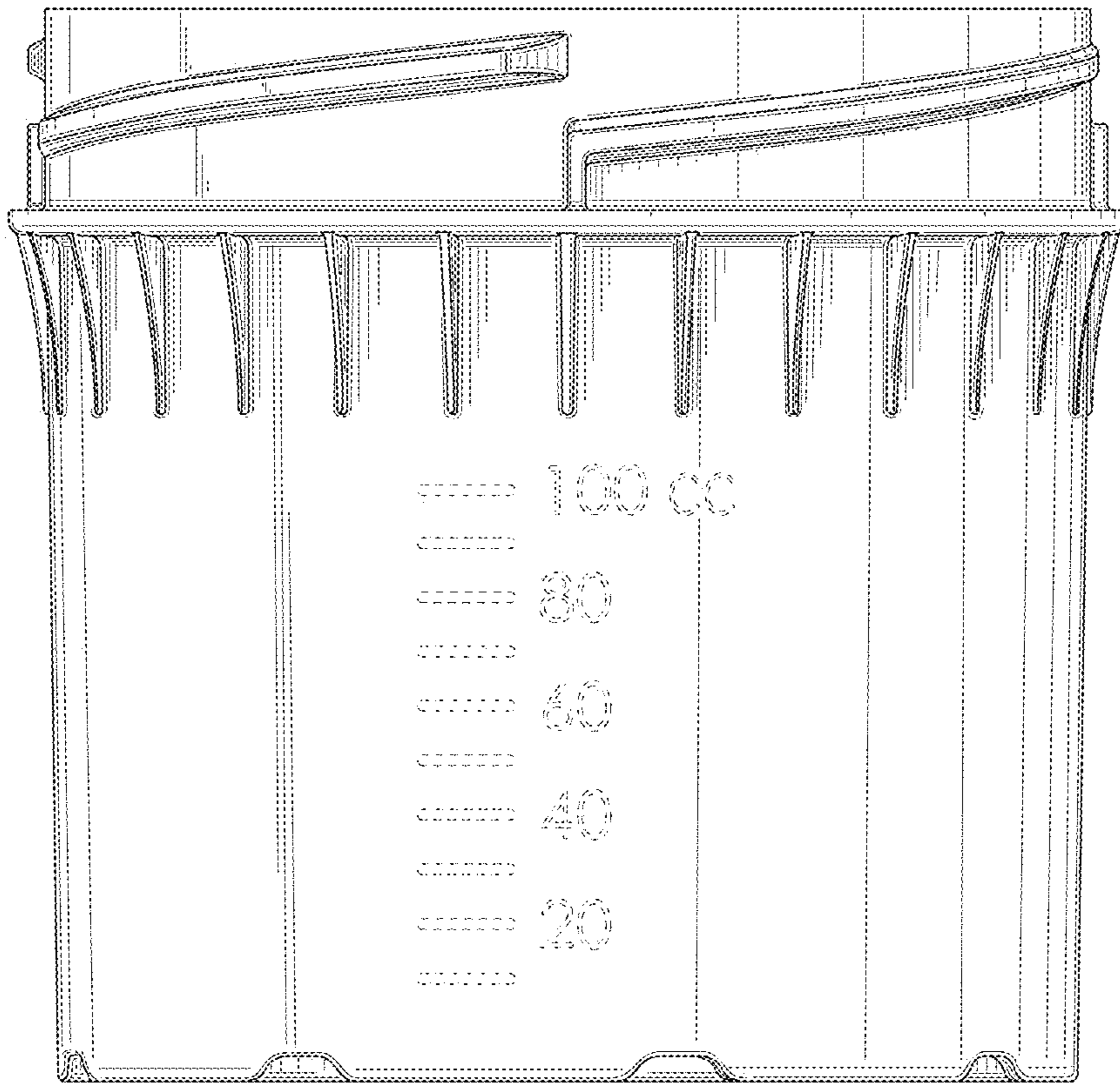


Fig. 2

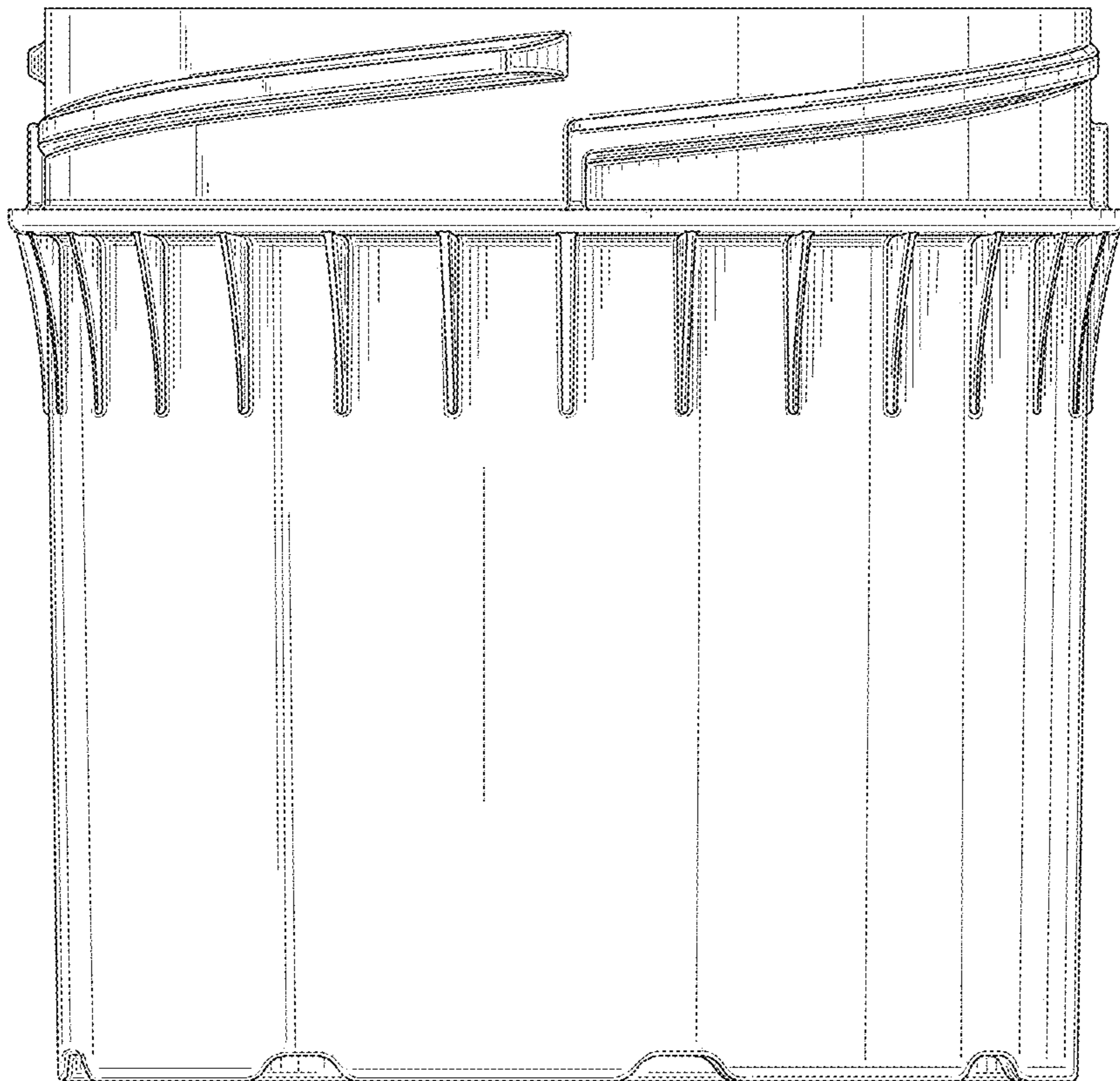


Fig. 3

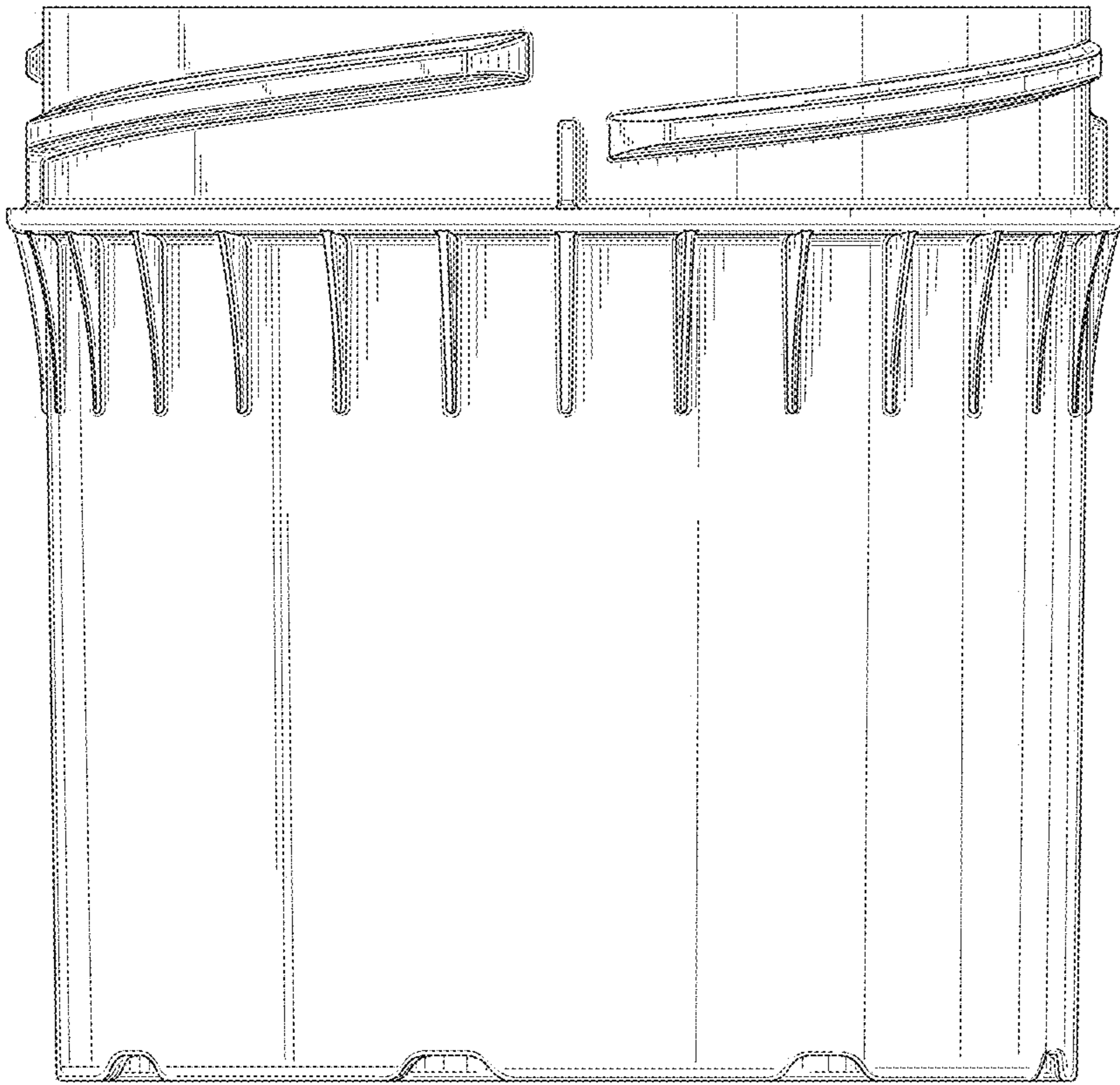


Fig. 4

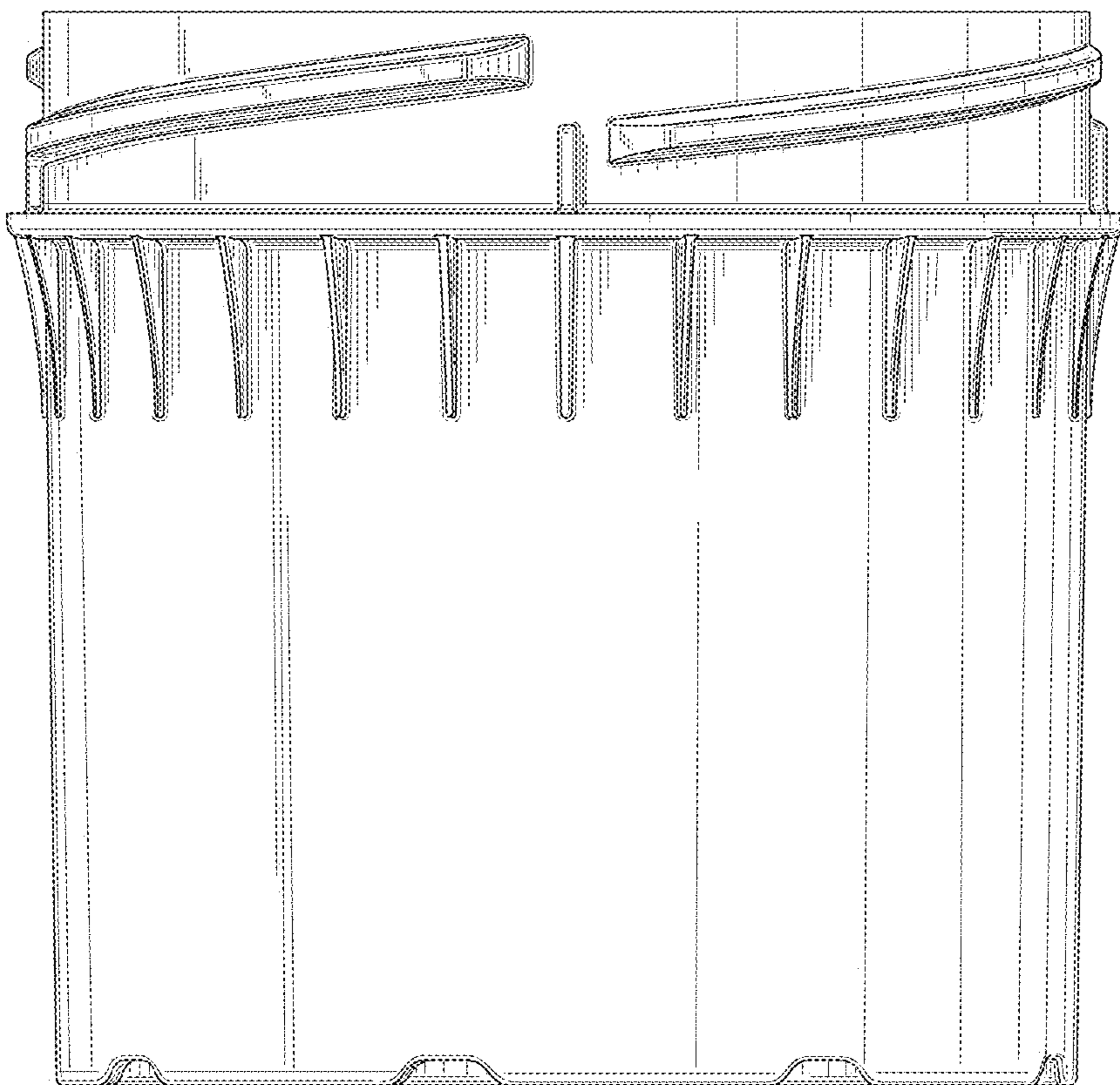


Fig. 5

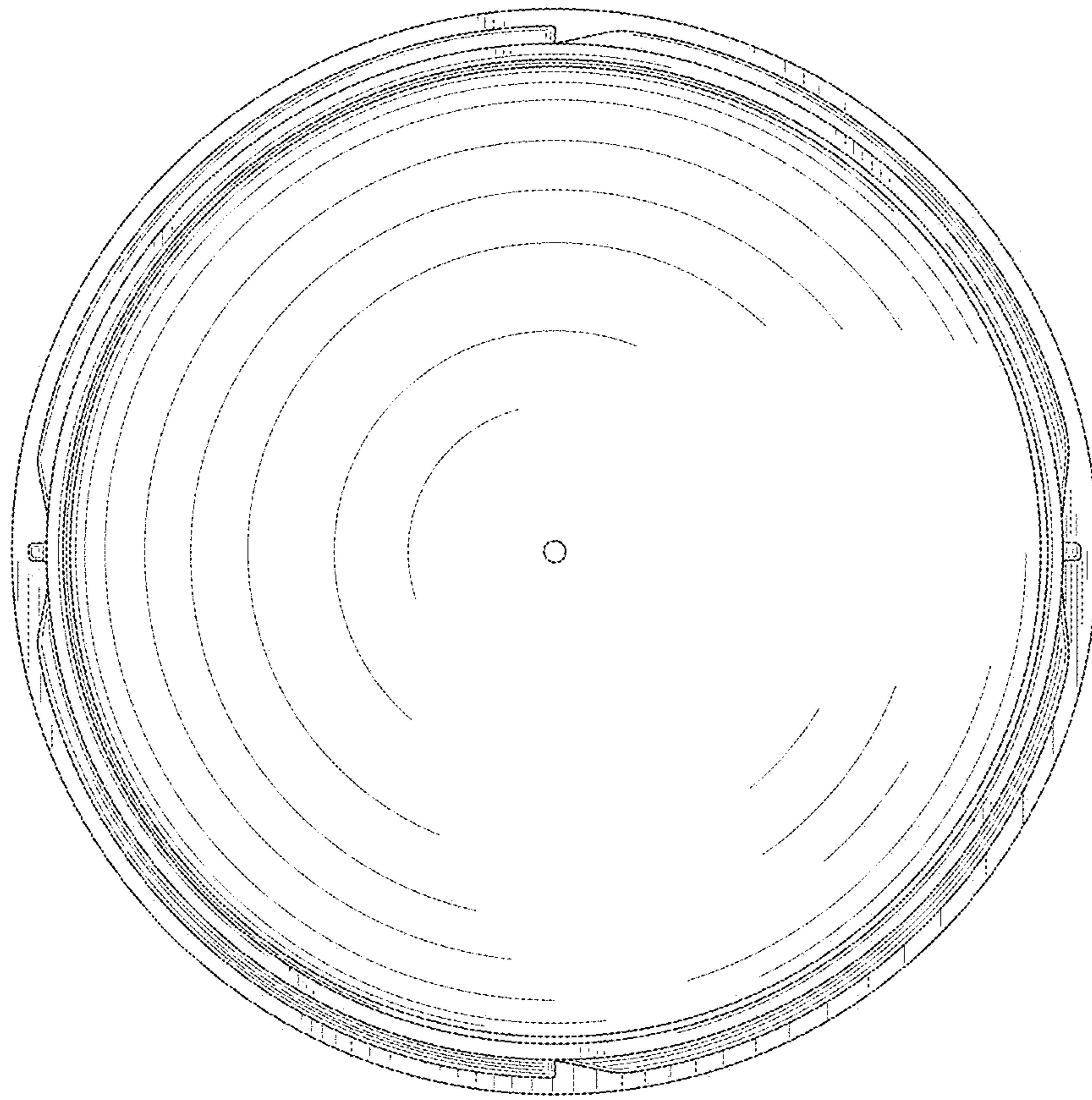


Fig. 6

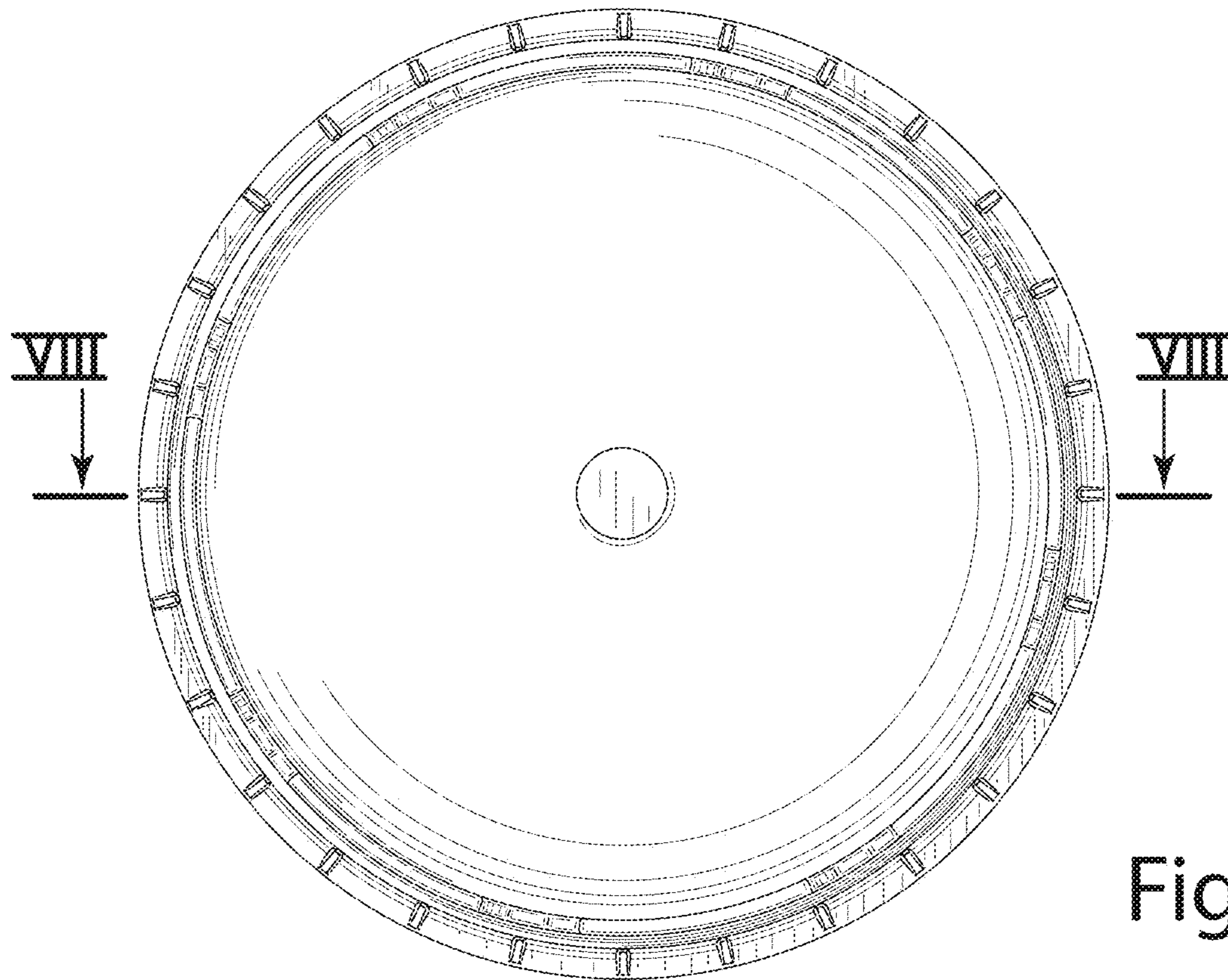


Fig. 7

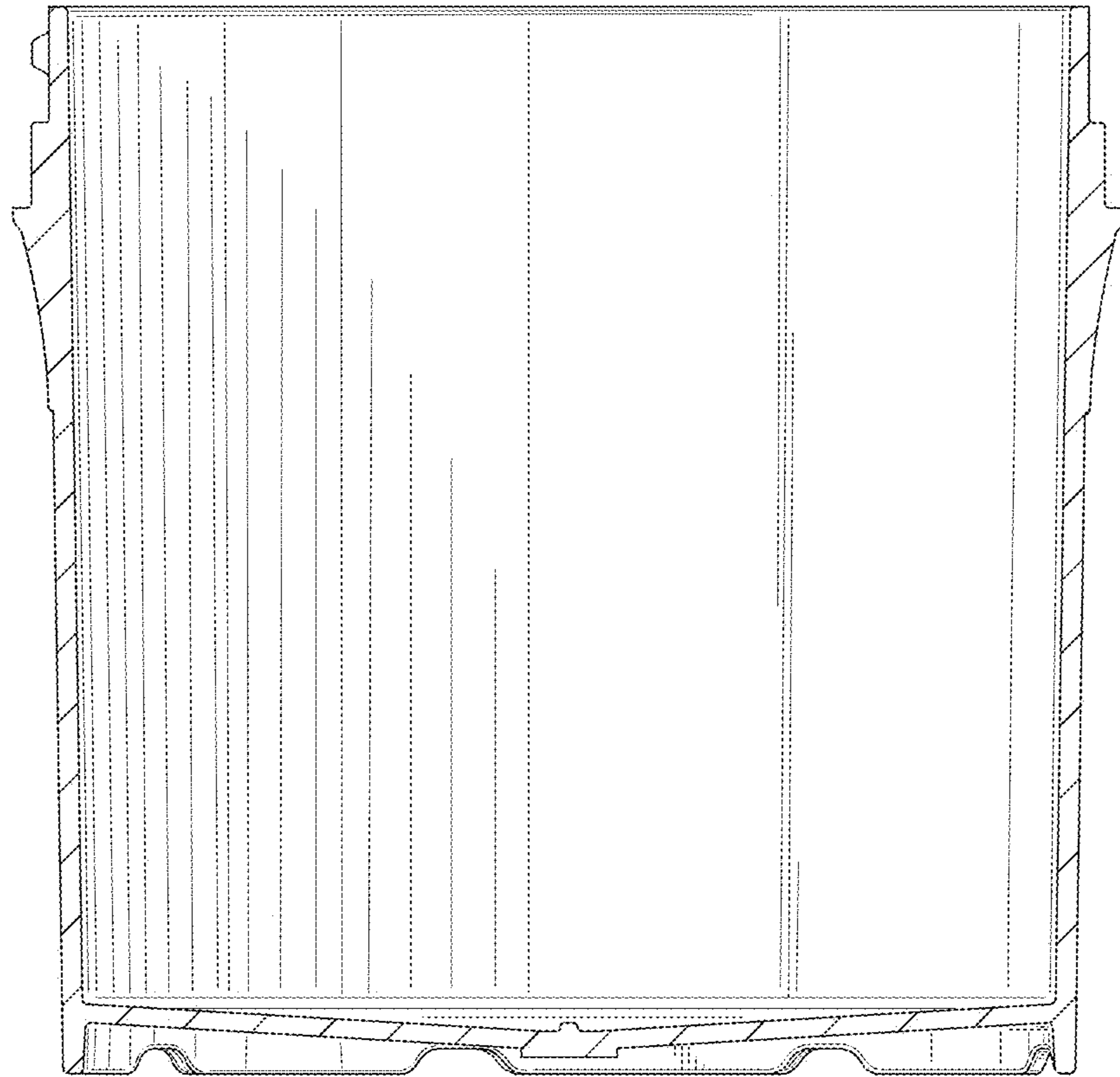


Fig. 8