



US00D912270S

(12) **United States Design Patent** (10) **Patent No.:** **US D912,270 S**
Liotta et al. (45) **Date of Patent:** **** Mar. 2, 2021**

(54) **SAMPLE HOLDER**

FOREIGN PATENT DOCUMENTS

(71) Applicant: **GEORGE MASON RESEARCH FOUNDATON, INC.**, Fairfax, VA (US)

WO WO-2019/232197 A1 12/2019

(72) Inventors: **Lance Liotta**, Bethesda, MD (US);
Alessandra Luchini, Burke, VA (US);
Amanda N. Haymond Still, Manassas, VA (US)

OTHER PUBLICATIONS

Metallization Pastes. Online published date unknown. Retrieved on Jun. 22, 2010 from URL: <http://www.automaxionltd.com/applications/metallization-pastes>.*

(73) Assignee: **GEORGE MASON RESEARCH FOUNDATON, INC.**, Fairfax, VA (US)

Primary Examiner — Susan Bennett Hattan

Assistant Examiner — Omeed Agilee

(**) Term: **15 Years**

(74) *Attorney, Agent, or Firm* — Foley & Lardner LLP

(21) Appl. No.: **29/687,483**

(57) **CLAIM**

We claim the ornamental design for a sample holder, as shown and described.

(22) Filed: **Apr. 12, 2019**

(51) **LOC (13) Cl.** **24-02**

(52) **U.S. Cl.**
USPC **D24/224**

(58) **Field of Classification Search**
USPC D24/104, 131, 197, 214, 216, 217,
D24/224–232; D3/203.1–203.6, 270,
D3/271.9, 272; D9/420, 426, 454, 504,
D9/519, 668
CPC B01L 9/06
See application file for complete search history.

DESCRIPTION

This invention was made with government support under grant number CA206937 awarded by the National Institutes of Health. The government has certain rights in the invention.

FIG. 1 is a perspective view of a sample holder according to the claimed design;

FIG. 2 is a side view of the sample holder of FIG. 1;

FIG. 3 is another side view of the sample holder of FIG. 1;

FIG. 4 is a front view of the sample holder of FIG. 1;

FIG. 5 is a rear view of the sample holder of FIG. 1;

FIG. 6 is a top view of the sample holder of FIG. 1;

FIG. 7 is a bottom view of the sample holder of FIG. 1; and,

FIG. 8 is another perspective view of the sample holder of FIG. 1.

The broken line immediately inside the claimed circular feature shown in FIG. 7 depicts the boundary of the claim and forms no part thereof. The rest of the broken lines in the drawings depict environmental subject matter and form no part of the claimed design.

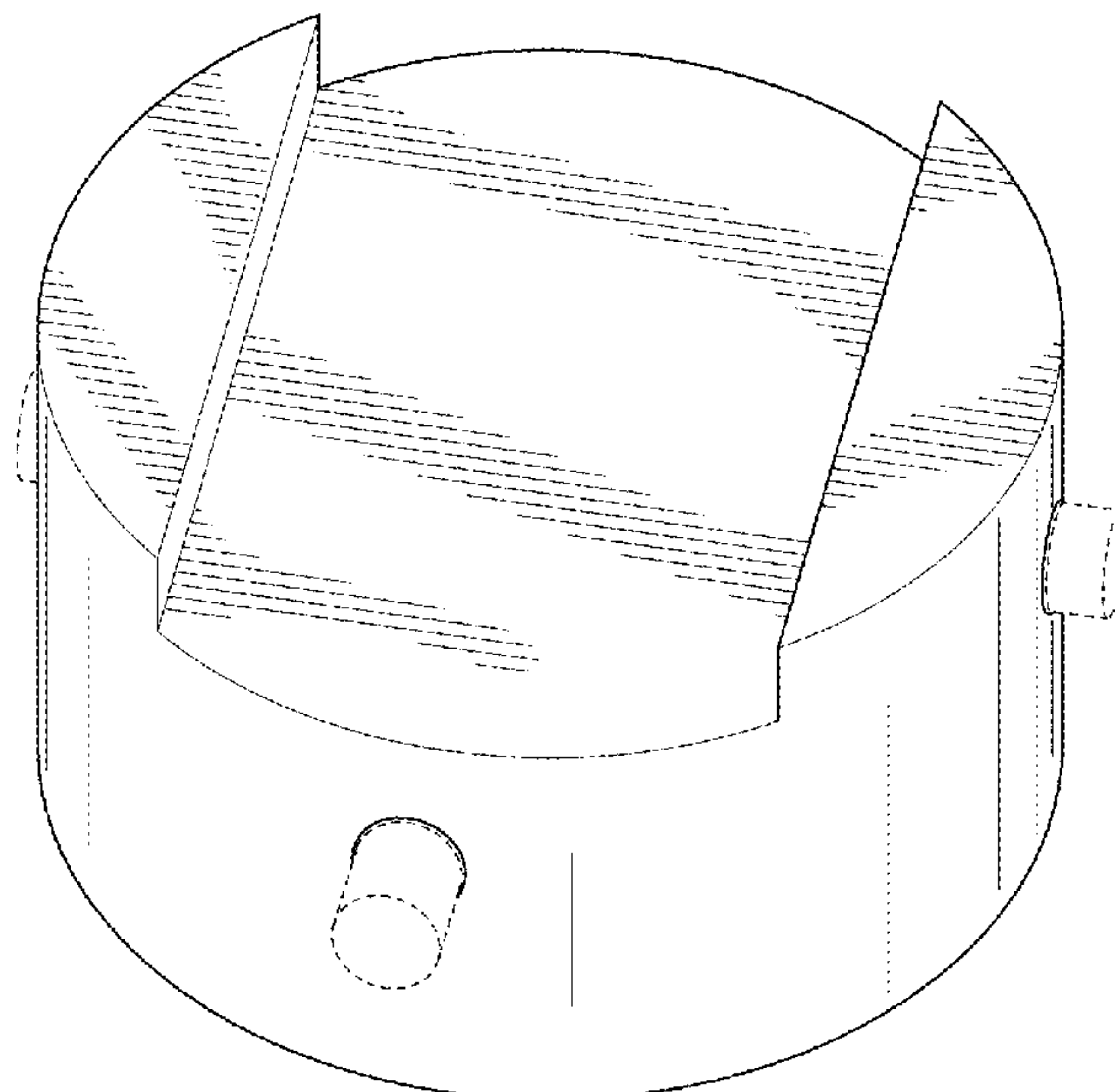
(56) **References Cited**

U.S. PATENT DOCUMENTS

D225,038 S *	10/1972	Cutler	D24/214
D264,810 S *	6/1982	Voltmann	D24/226
4,389,374 A *	6/1983	Sutton	B01L 9/06
				422/562
5,127,531 A *	7/1992	Onodera	B01L 9/06
				206/446
5,452,810 A *	9/1995	Schwartz	B01L 9/06
				206/446
D581,792 S *	12/2008	Krohn	D9/504

(Continued)

1 Claim, 6 Drawing Sheets



(56)

References Cited

U.S. PATENT DOCUMENTS

D704,854 S *	5/2014	Wainwright	D24/216
D720,068 S *	12/2014	Oberlaender	D24/133
D742,028 S *	10/2015	Hutchison	D24/227
D750,801 S *	3/2016	Sharpe	D24/230
D835,467 S *	12/2018	Dolinsky	D7/553.6
D845,612 S *	4/2019	Amitai	D3/203.1
D863,591 S *	10/2019	Manich	D24/227
D865,211 S *	10/2019	Yu	D24/224
D877,357 S *	3/2020	Benenati	D24/227
2015/0027434 A1 *	1/2015	Murphy	B65D 25/04 126/263.02

* cited by examiner

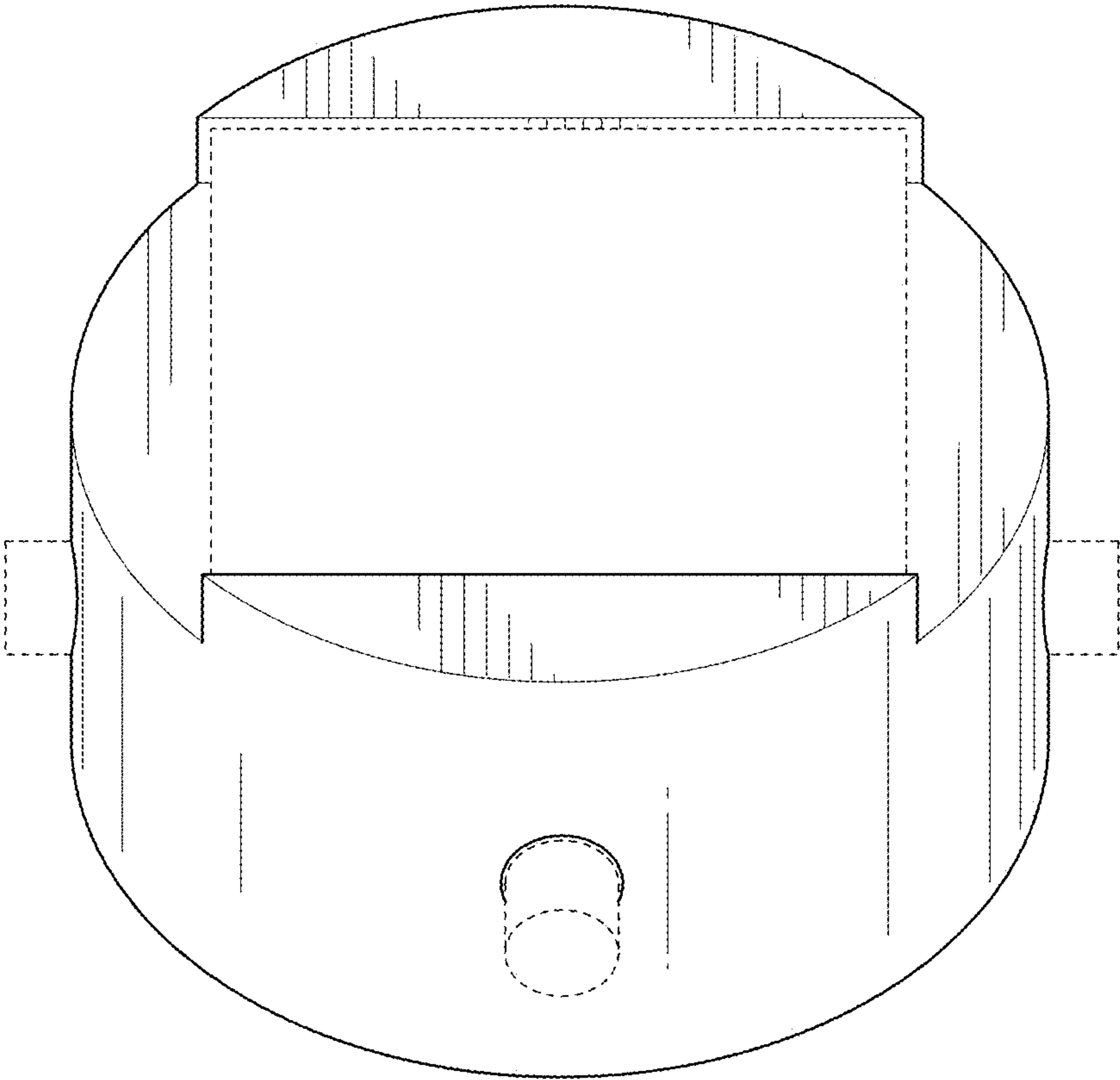


FIG. 1

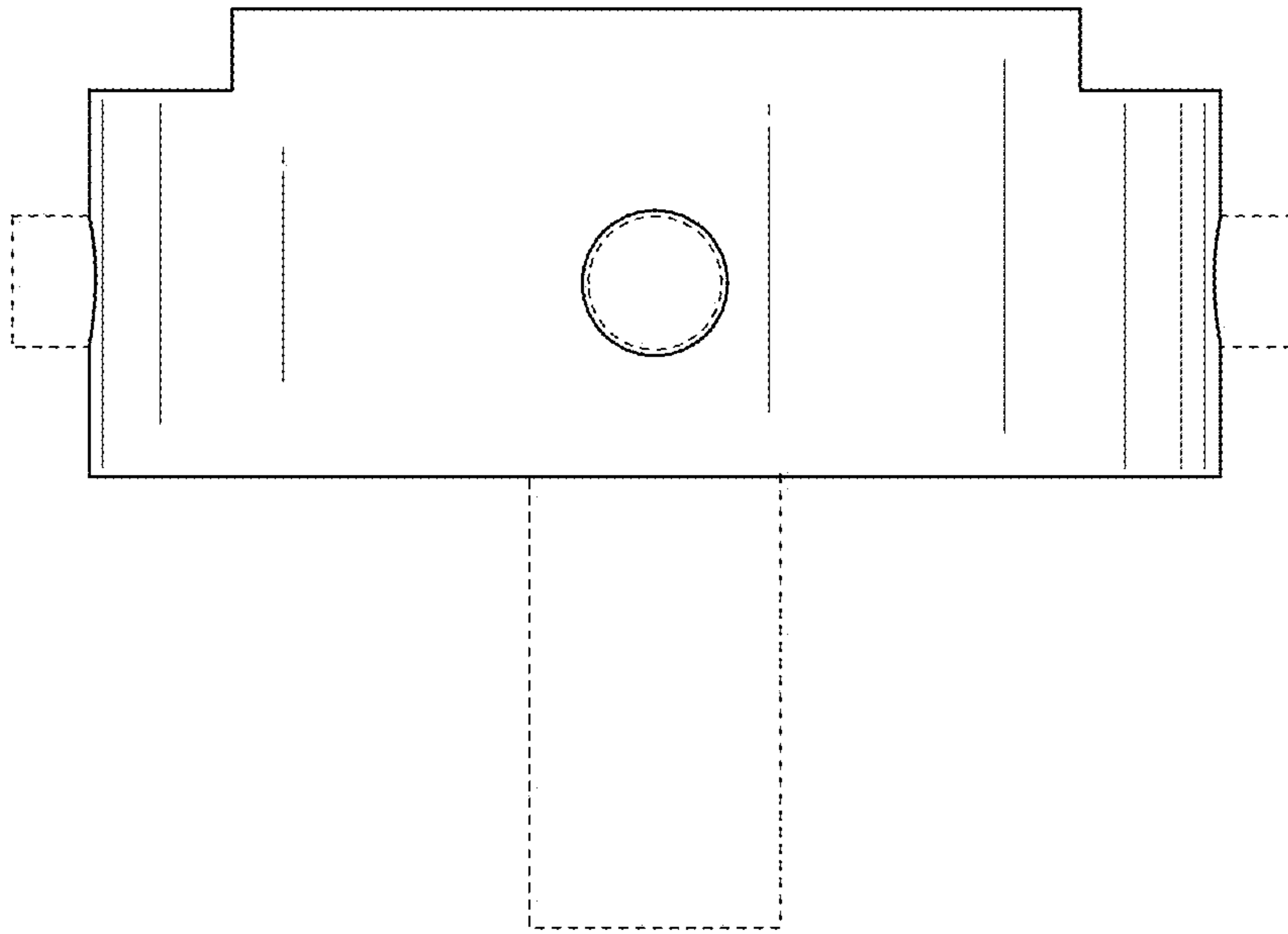


FIG. 2

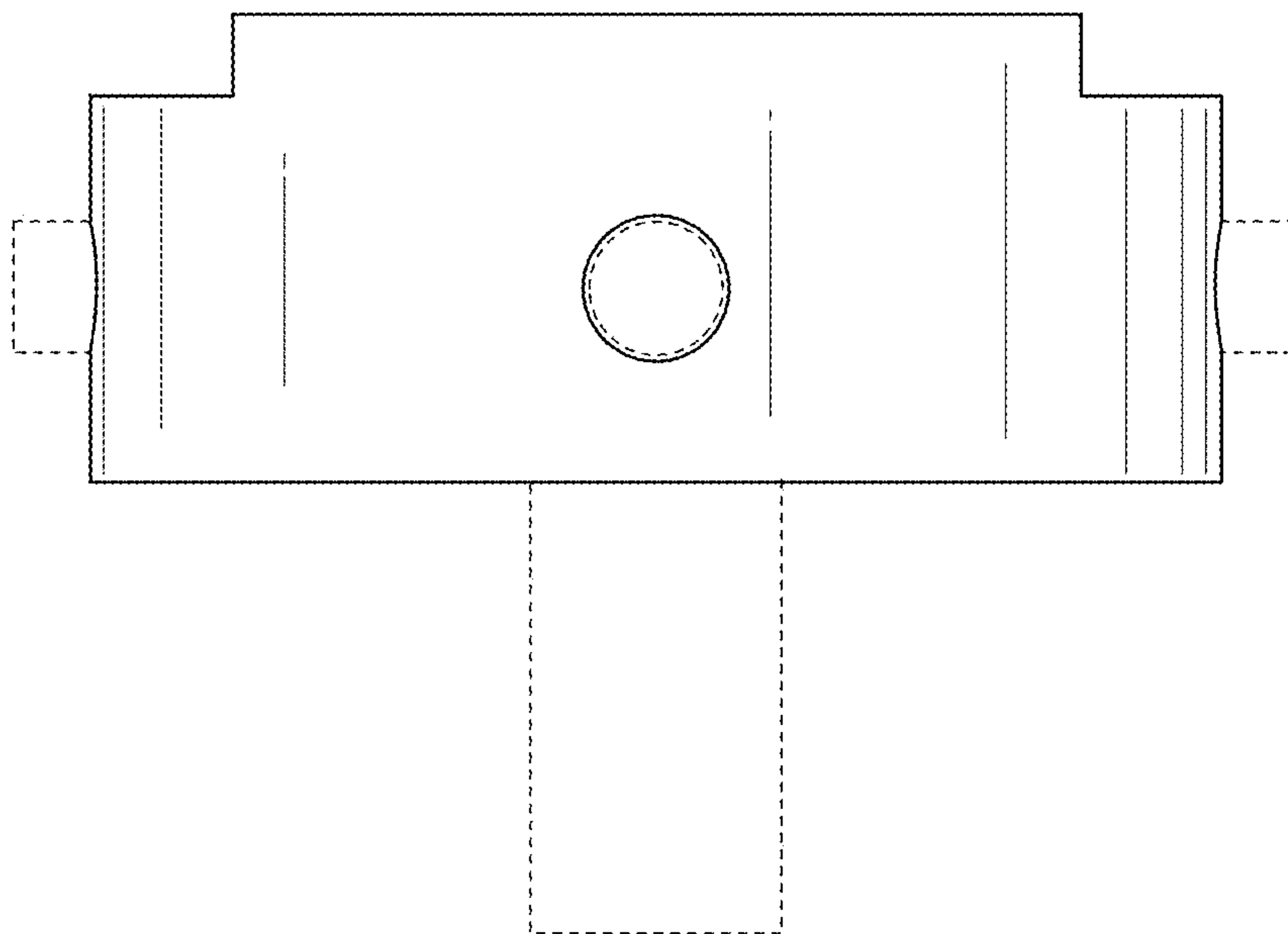


FIG. 3

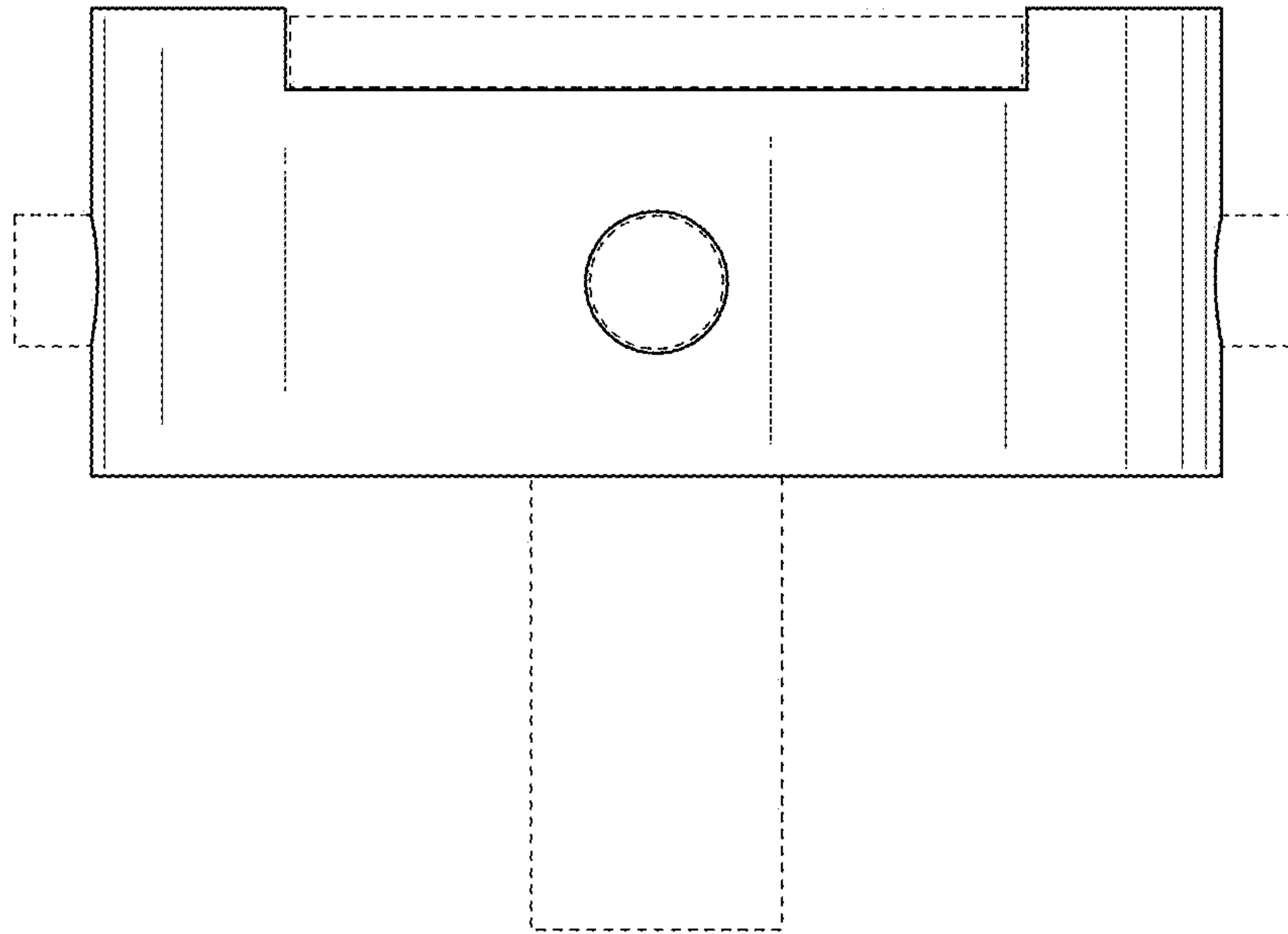


FIG. 4

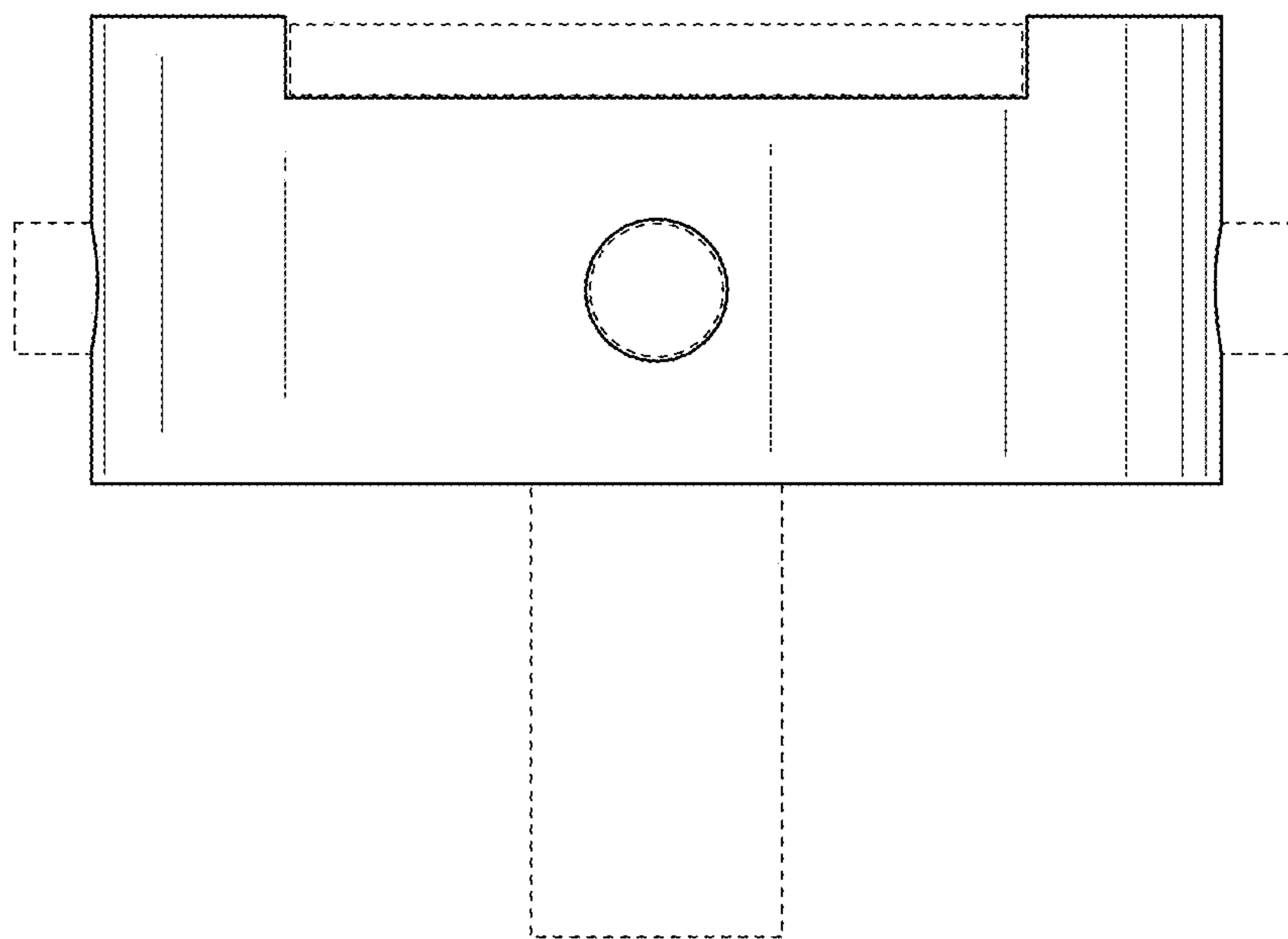


FIG. 5

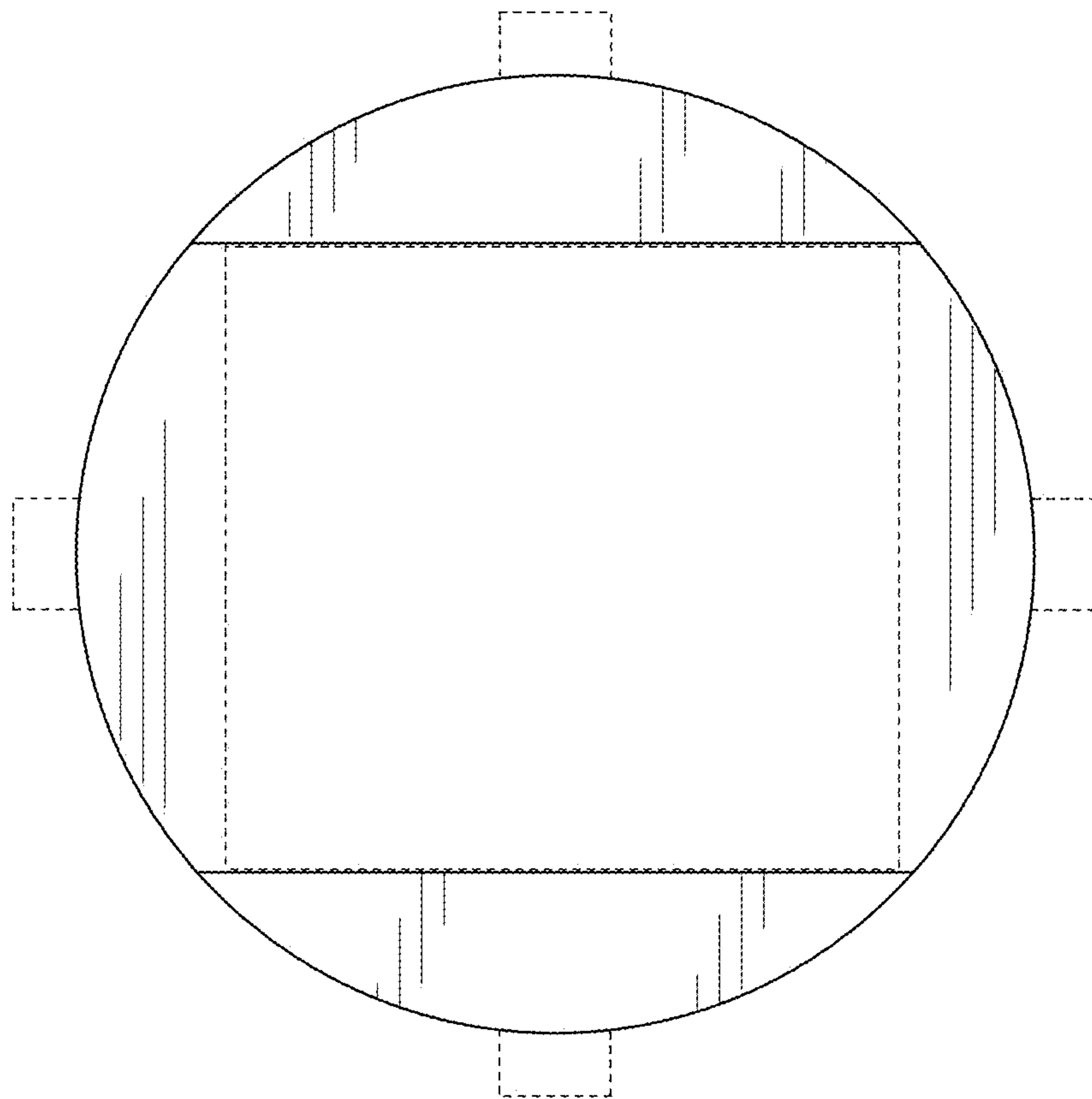


FIG. 6

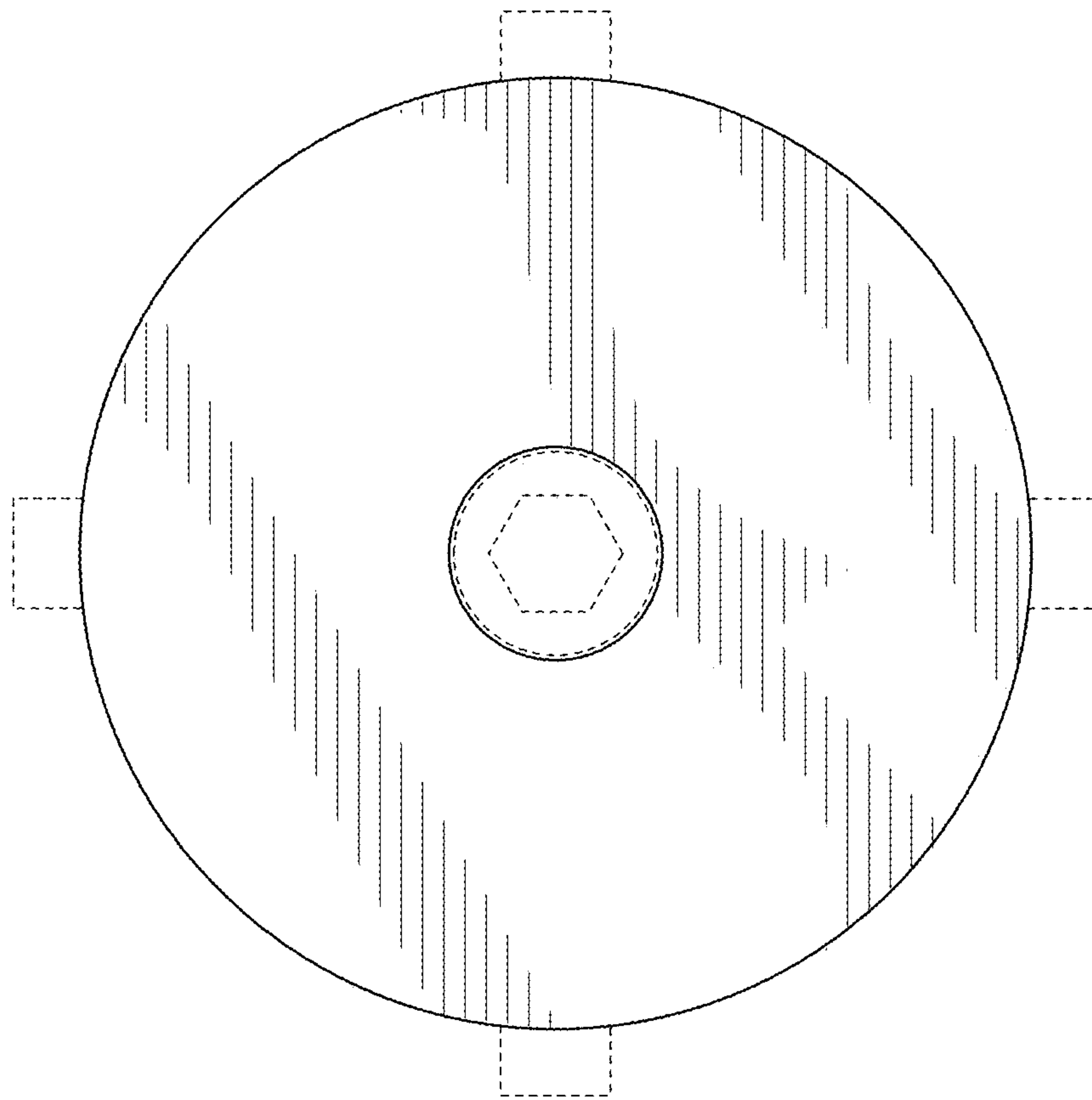


FIG. 7

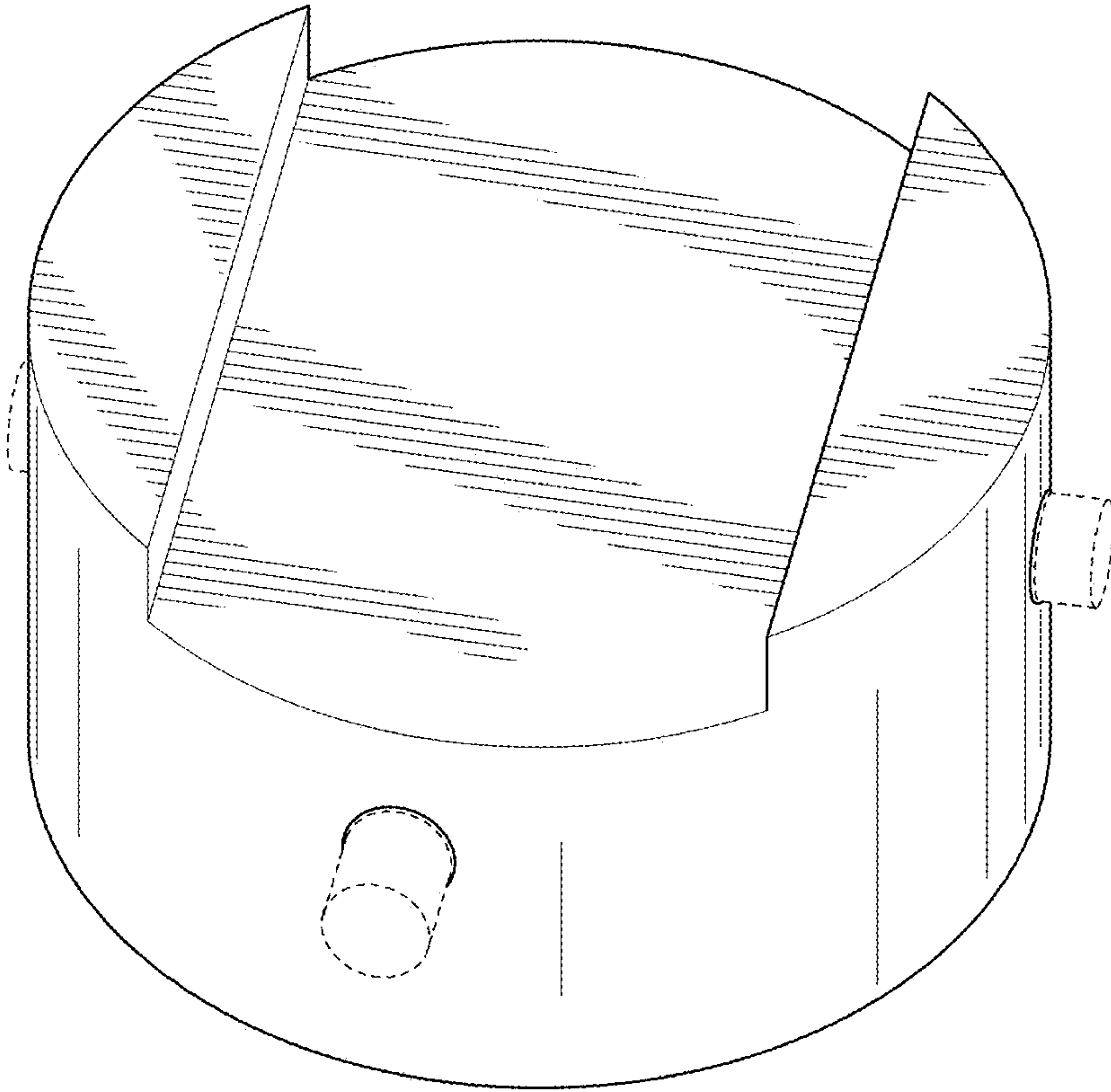


FIG. 8