



US00D912269S

(12) **United States Design Patent**  
**Marran et al.**

(10) **Patent No.:** **US D912,269 S**  
(45) **Date of Patent:** **\*\* Mar. 2, 2021**

(54) **REAGENT CONTAINER**

(71) Applicant: **LIFE TECHNOLOGIES CORPORATION**, Carlsbad, CA (US)

(72) Inventors: **David Marran**, Durham, CT (US);  
**Earl Zergiebel**, Guilford, CT (US);  
**Jamsheed Ghadiri**, Palo Alto, CA (US); **Mark T. Reed**, Menlo Park, CA (US)

(73) Assignee: **LIFE TECHNOLOGIES CORPORATION**, Carlsbad, CA (US)

(\*\*) Term: **15 Years**

(21) Appl. No.: **29/660,066**

(22) Filed: **Aug. 16, 2018**

(51) **LOC (13) Cl.** ..... **24-02**

(52) **U.S. Cl.**  
USPC ..... **D24/224**

(58) **Field of Classification Search**  
USPC ..... D24/216, 222-226, 231, 232; D9/503,  
D9/504, 505, 520, 529, 549;  
D3/203.1-203.8; D7/509  
CPC ..... B01L 3/565; B01L 3/00  
See application file for complete search history.

(56) **References Cited**

**U.S. PATENT DOCUMENTS**

D363,354 S \* 10/1995 Stark ..... D24/224  
D407,826 S \* 4/1999 Yamazaki ..... D24/224

D492,780 S \* 7/2004 Patzer ..... D24/158  
D502,268 S \* 2/2005 Sakai ..... D24/223  
D624,194 S \* 9/2010 Pack ..... D24/224  
D634,441 S \* 3/2011 Sattler ..... D24/224  
D642,282 S \* 7/2011 Bargh ..... D24/224  
D690,826 S \* 10/2013 Kuroda ..... D24/224  
D785,195 S \* 4/2017 Owen ..... D24/224  
D833,639 S \* 11/2018 Peltosaari ..... D24/224  
D857,915 S \* 8/2019 Sakai ..... D24/224

**FOREIGN PATENT DOCUMENTS**

CN 201930065262.X \* 2/2019

\* cited by examiner

*Primary Examiner* — Susan Bennett Hattan

*Assistant Examiner* — Omeed Agilee

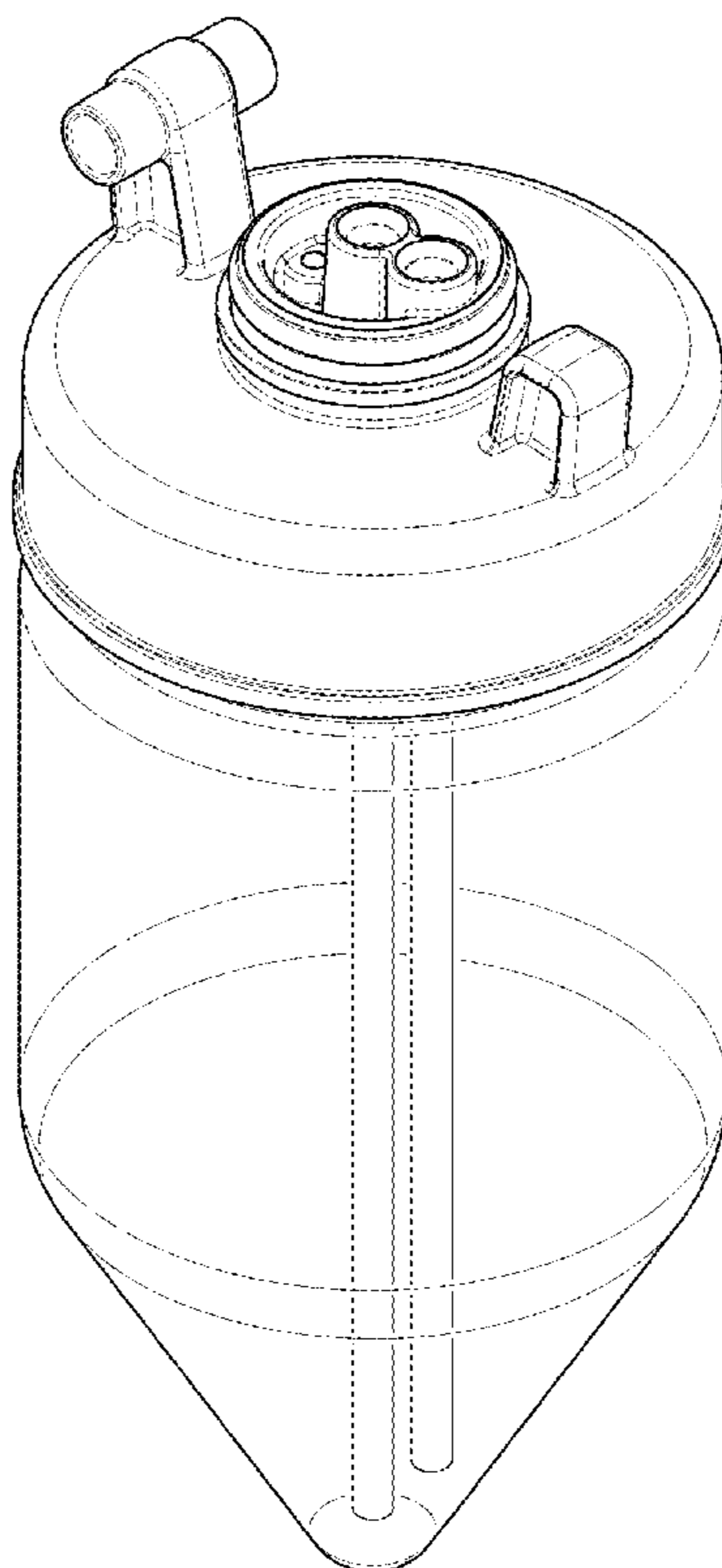
(57) **CLAIM**

The ornamental design for a reagent container, as shown and described.

**DESCRIPTION**

FIG. 1 is a perspective view of a reagent container showing the new design;  
FIG. 2, FIG. 3, FIG. 4 and FIG. 5 are side views thereof;  
FIG. 6 is a top view thereof; and,  
FIG. 7 is a bottom view thereof.  
The broken lines in the drawings depict portions of the reagent container that form no part of the claimed design.

**1 Claim, 6 Drawing Sheets**



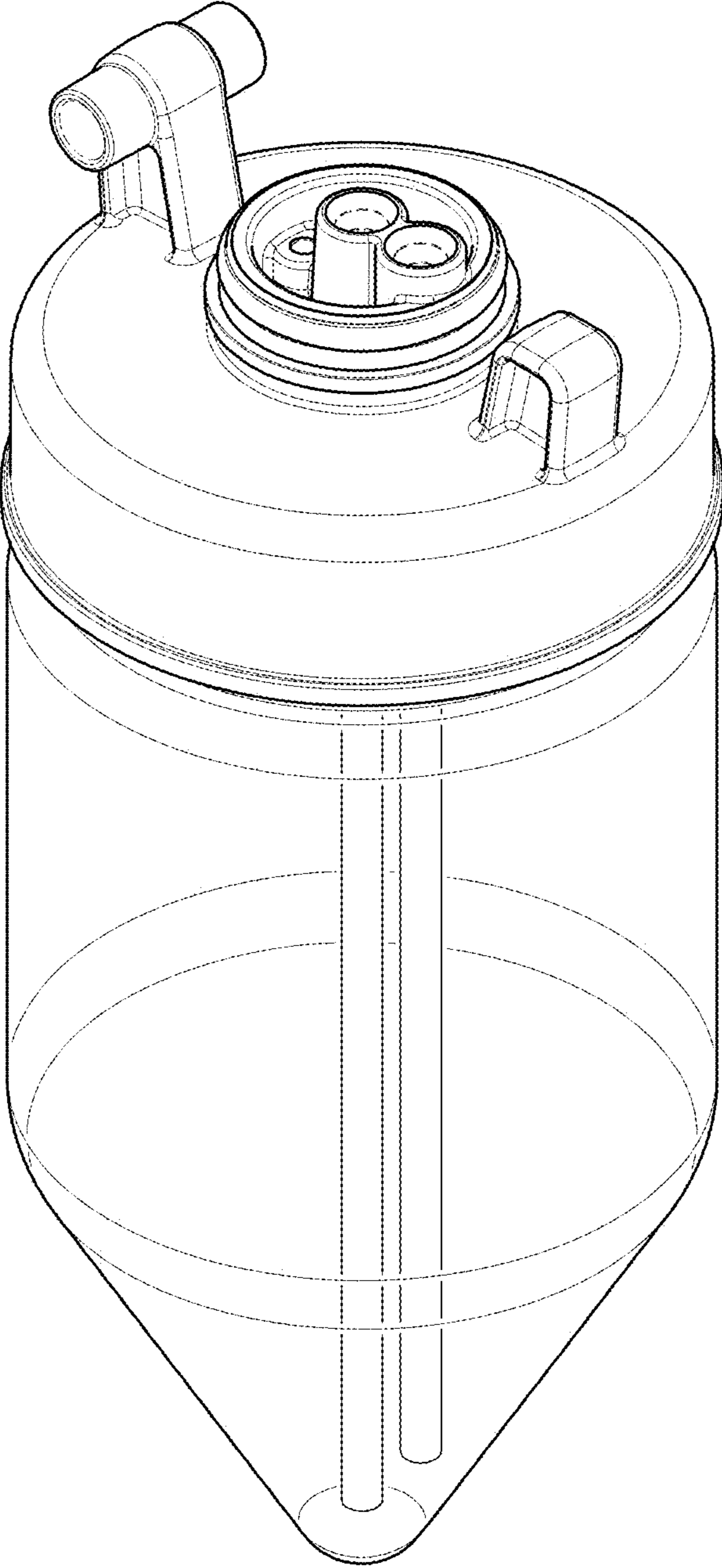


FIG. 1

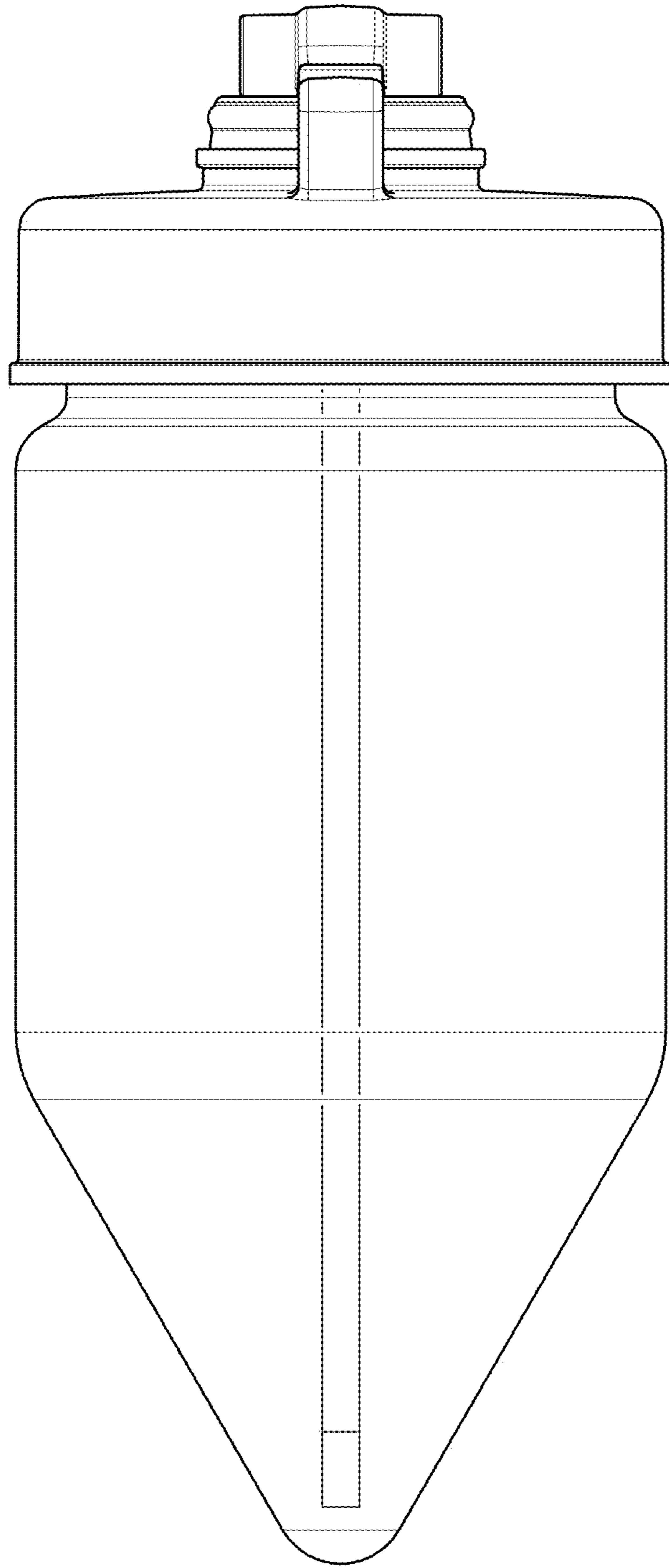


FIG. 2

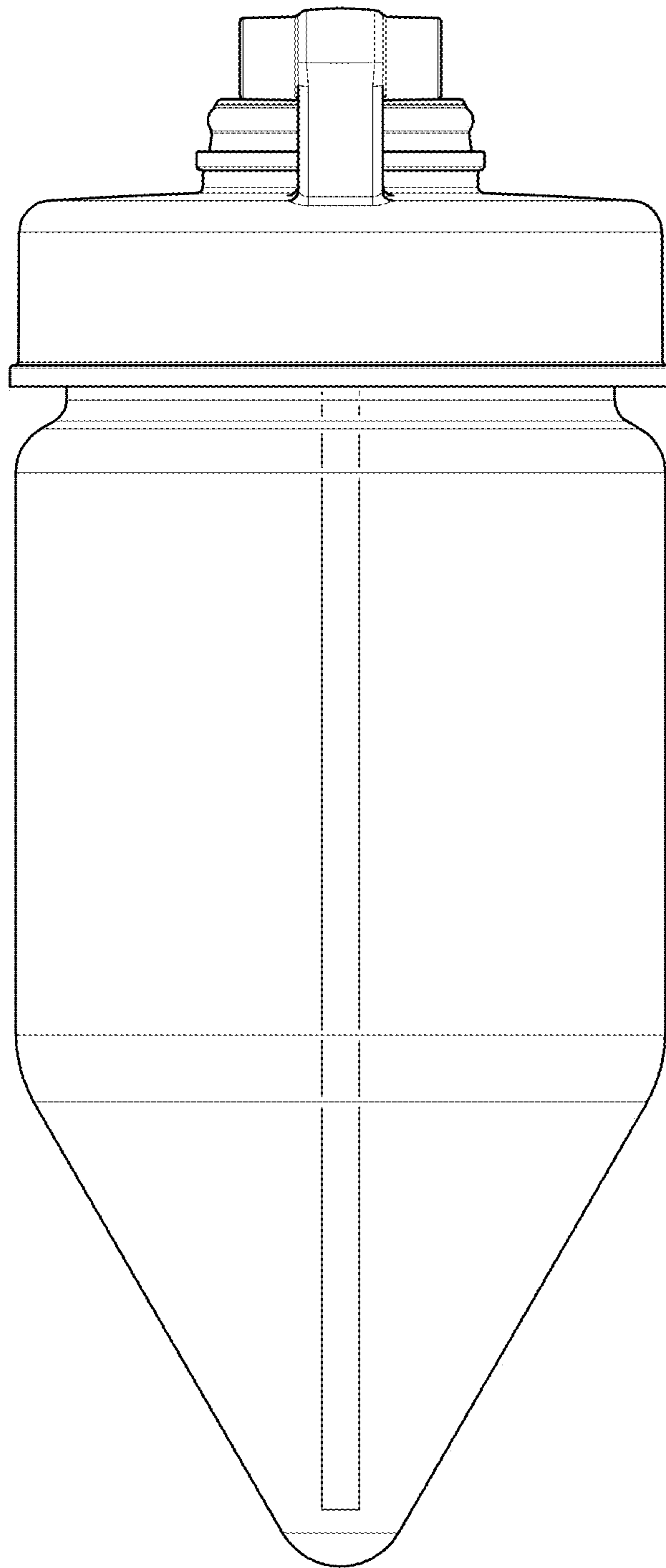


FIG. 3

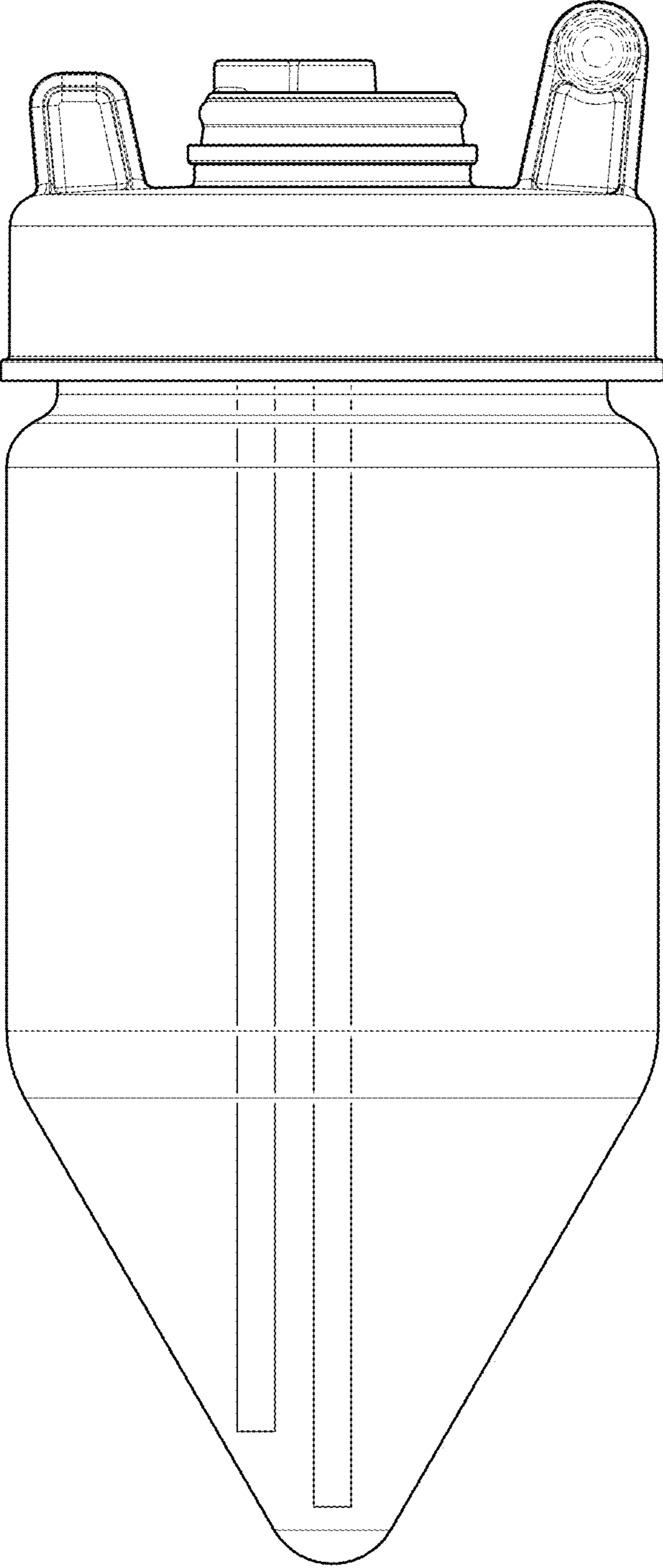


FIG. 4

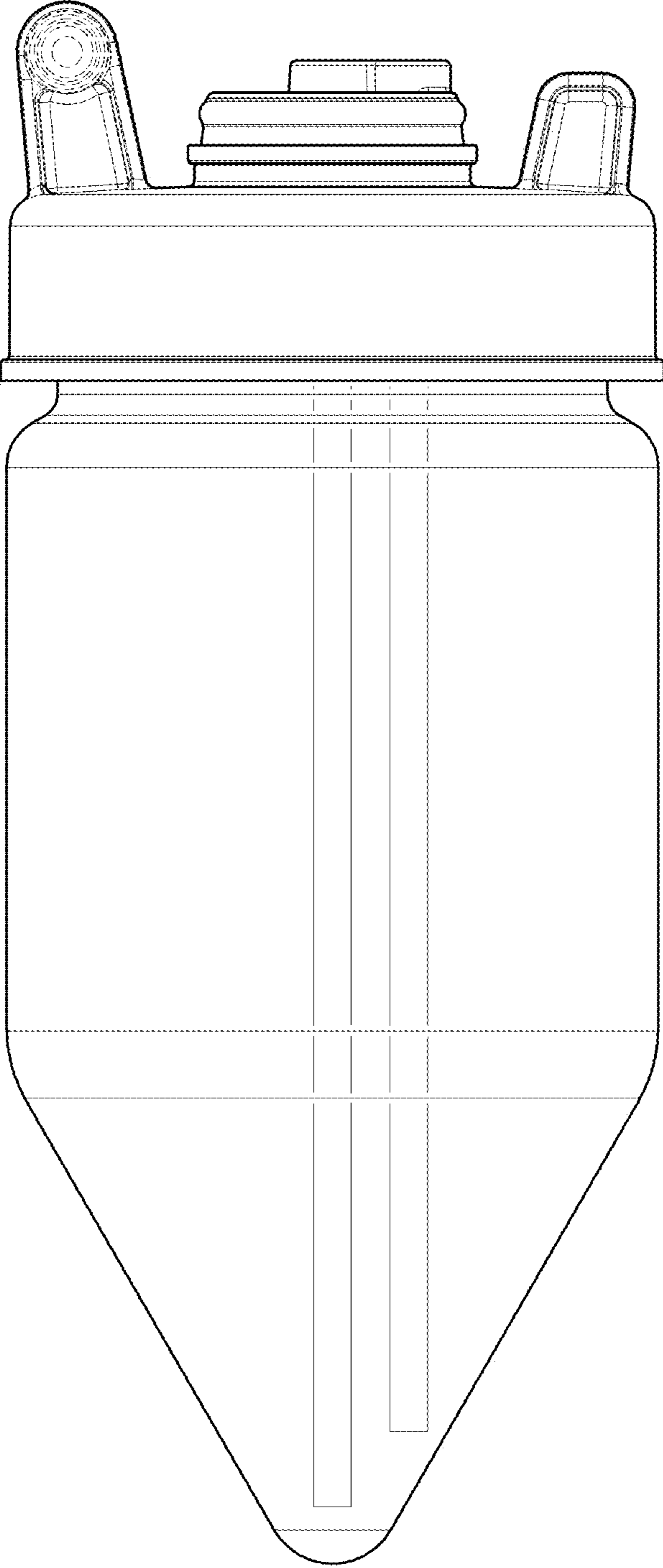


FIG. 5

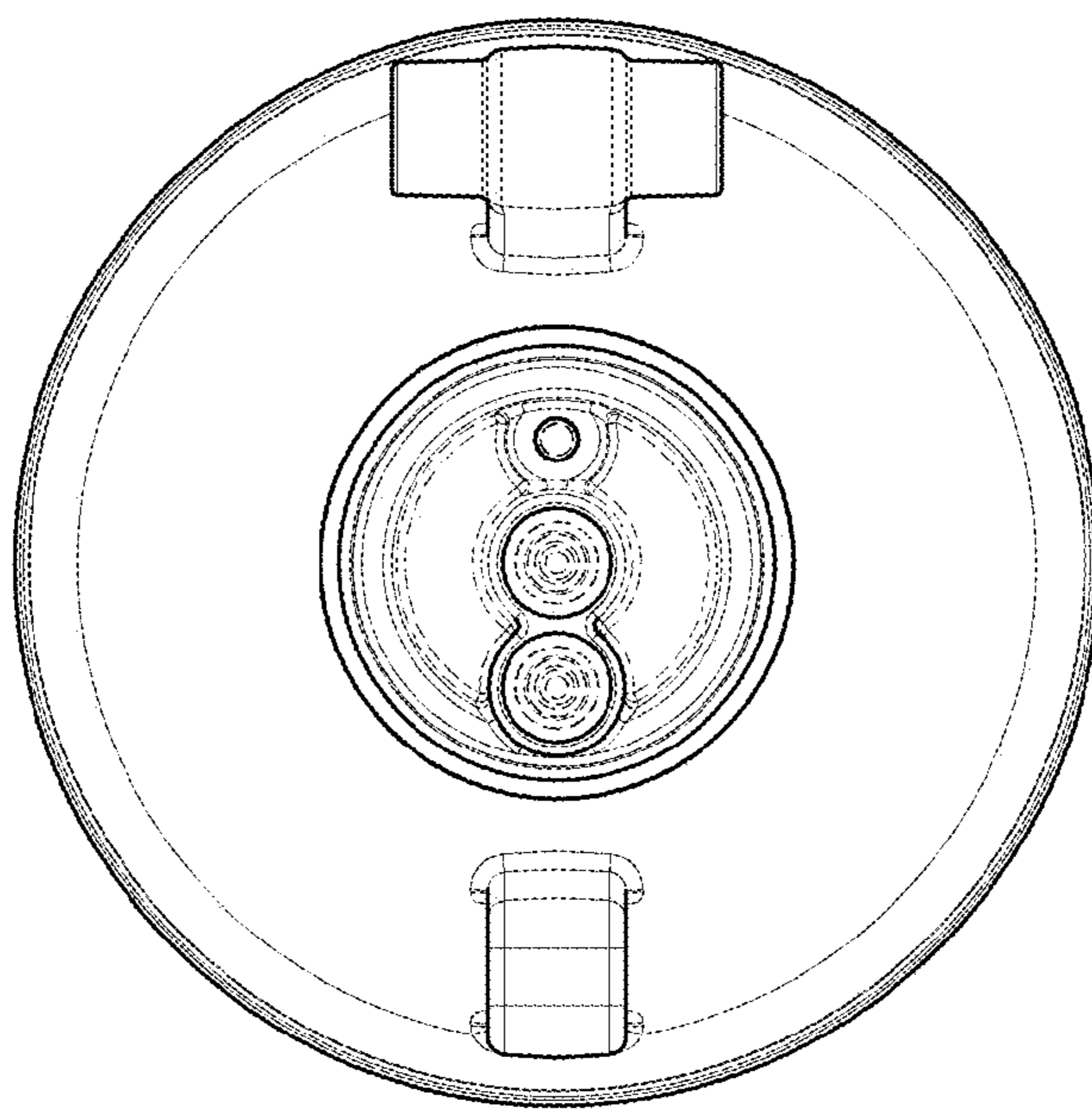


FIG. 6

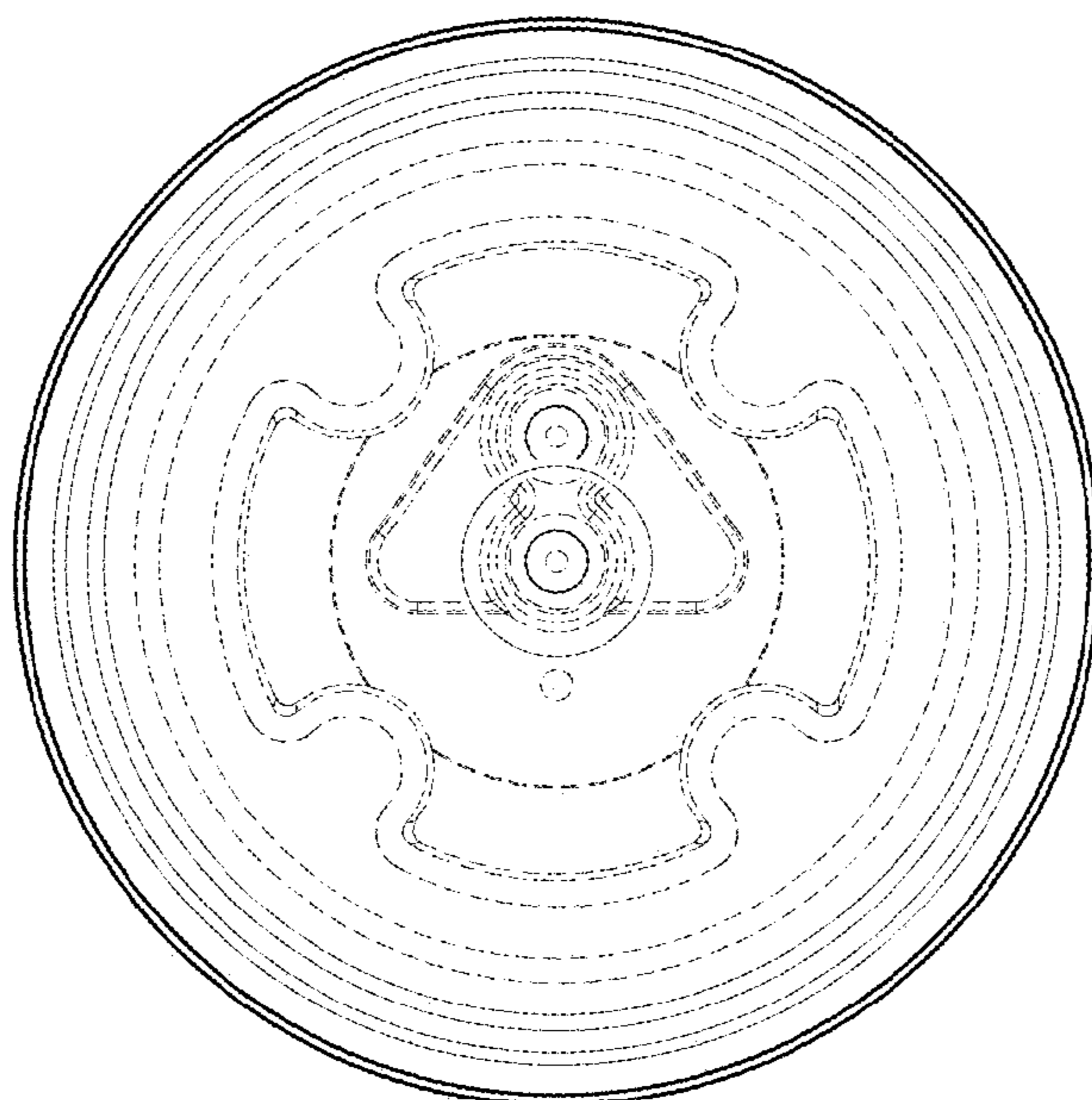


FIG. 7