



US00D912268S

(12) **United States Design Patent** (10) **Patent No.:** **US D912,268 S**
Xiang (45) **Date of Patent:** **** Mar. 2, 2021**

(54) **PERCUSSIVE MASSAGE DEVICE**

D895,135 S * 9/2020 Xu D24/215
D896,396 S * 9/2020 Wersland D24/215
2018/0200141 A1* 7/2018 Wersland A61H 23/0254

(71) Applicant: **Bingfeng Xiang**, Wenzhou (CN)

(72) Inventor: **Bingfeng Xiang**, Wenzhou (CN)

(**) Term: **15 Years**

(21) Appl. No.: **29/755,854**

(22) Filed: **Oct. 23, 2020**

(51) **LOC (13) Cl.** **28-03**

(52) **U.S. Cl.**
USPC **D24/215**

(58) **Field of Classification Search**
USPC D24/200, 211, 212, 213, 214, 215;
D8/14.1
CPC A61H 2015/0014; A61H 15/00; A61H
2015/0042

See application file for complete search history.

(56) **References Cited**

U.S. PATENT DOCUMENTS

D855,822 S *	8/2019	Marton	D24/215
D872,869 S *	1/2020	Lu	D24/215
D874,015 S *	1/2020	Marton	D24/215
D875,961 S	2/2020	Li	
D877,351 S *	3/2020	Wersland	D24/215
D879,985 S	3/2020	Wersland et al.	
D879,986 S	3/2020	Wersland et al.	
D880,714 S	4/2020	Wersland et al.	
D880,715 S	4/2020	Wersland et al.	
D880,716 S	4/2020	Wersland et al.	
D884,915 S *	5/2020	Wersland	D24/215
D885,601 S *	5/2020	Wersland	D24/215
D886,317 S	6/2020	Marton et al.	
D887,573 S *	6/2020	Wersland	D24/215

OTHER PUBLICATIONS

Amazon, "Massage Gun", Dec. 23, 2020. https://www.amazon.com/dp/B08Q7THDMQ/ref=sspa_dk_detail_5?psc=1&pd_rd_i=B08Q7THDMQ&pd_rd_w=RC4xe&pf_rd_p=7d37a48b-2b1a-4373-8c1a-bdcc5da66be9&pd_rd_wg=0LEUr&pf_rd_r=QQB93YDGRR54GFYN7RTB&pd_rd_r=57b5e433-b4d0-45f7-a46b-ef2068d58314&smid=ASKVBPM7OV19T&spLa=Z. (Year: 2020).*

* cited by examiner

Primary Examiner — Cynthia Ramirez
Assistant Examiner — Michael A Maharajh
(74) *Attorney, Agent, or Firm* — Rumit Ranjit Kanakia

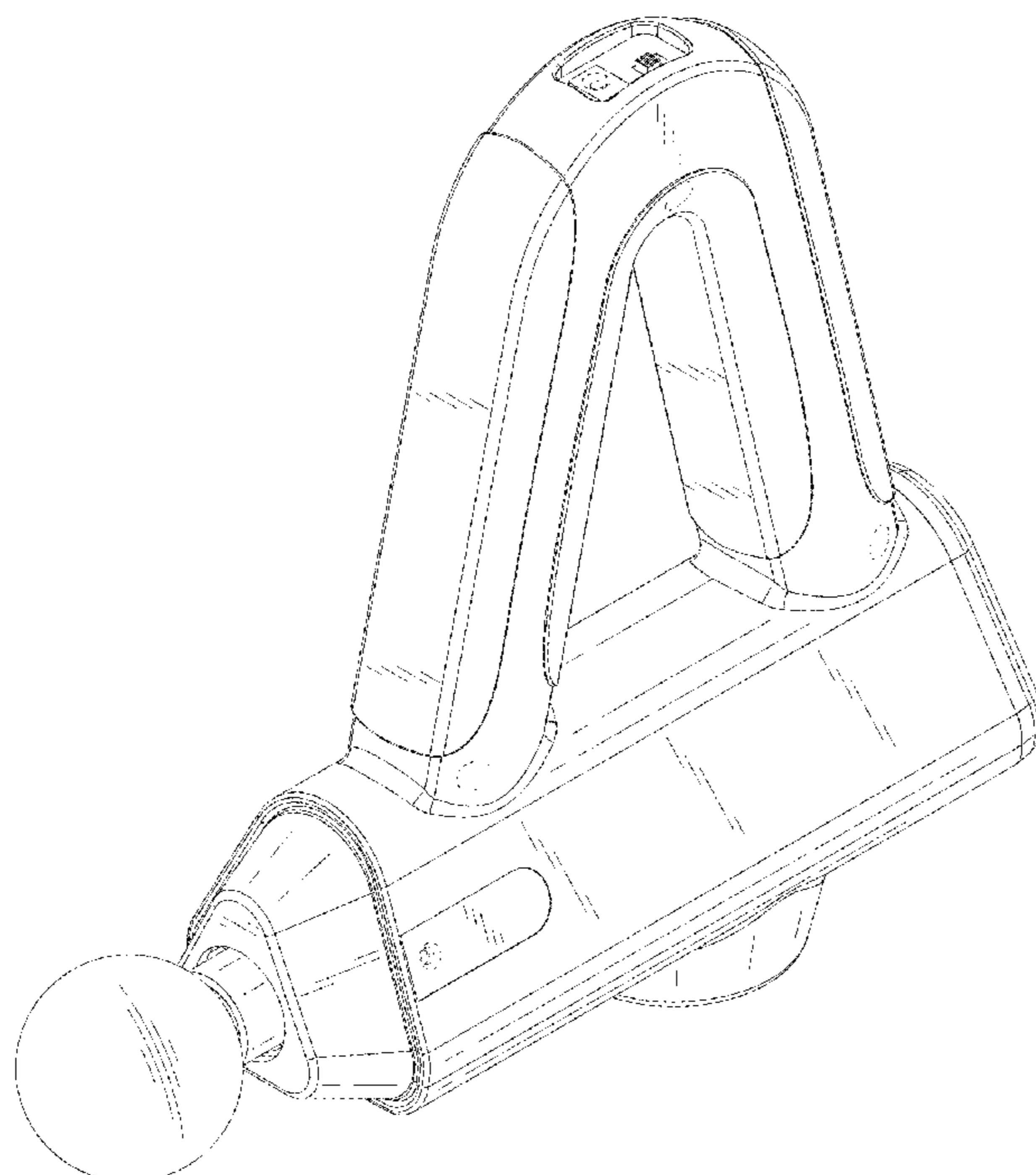
(57) **CLAIM**

I claim the ornamental design for a percussive massage device, as shown and described.

DESCRIPTION

FIG. 1 is a Perspective view of a percussive massage device showing my new design;
FIG. 2 is a Front view thereof;
FIG. 3 is a Back view thereof;
FIG. 4 is a Right-side view thereof;
FIG. 5 is a Left-side view thereof;
FIG. 6 is a Top view thereof; and,
FIG. 7 is a Bottom view thereof.
The broken lines are for the purpose of illustrating portions of the article that form no part of the claim.

1 Claim, 7 Drawing Sheets



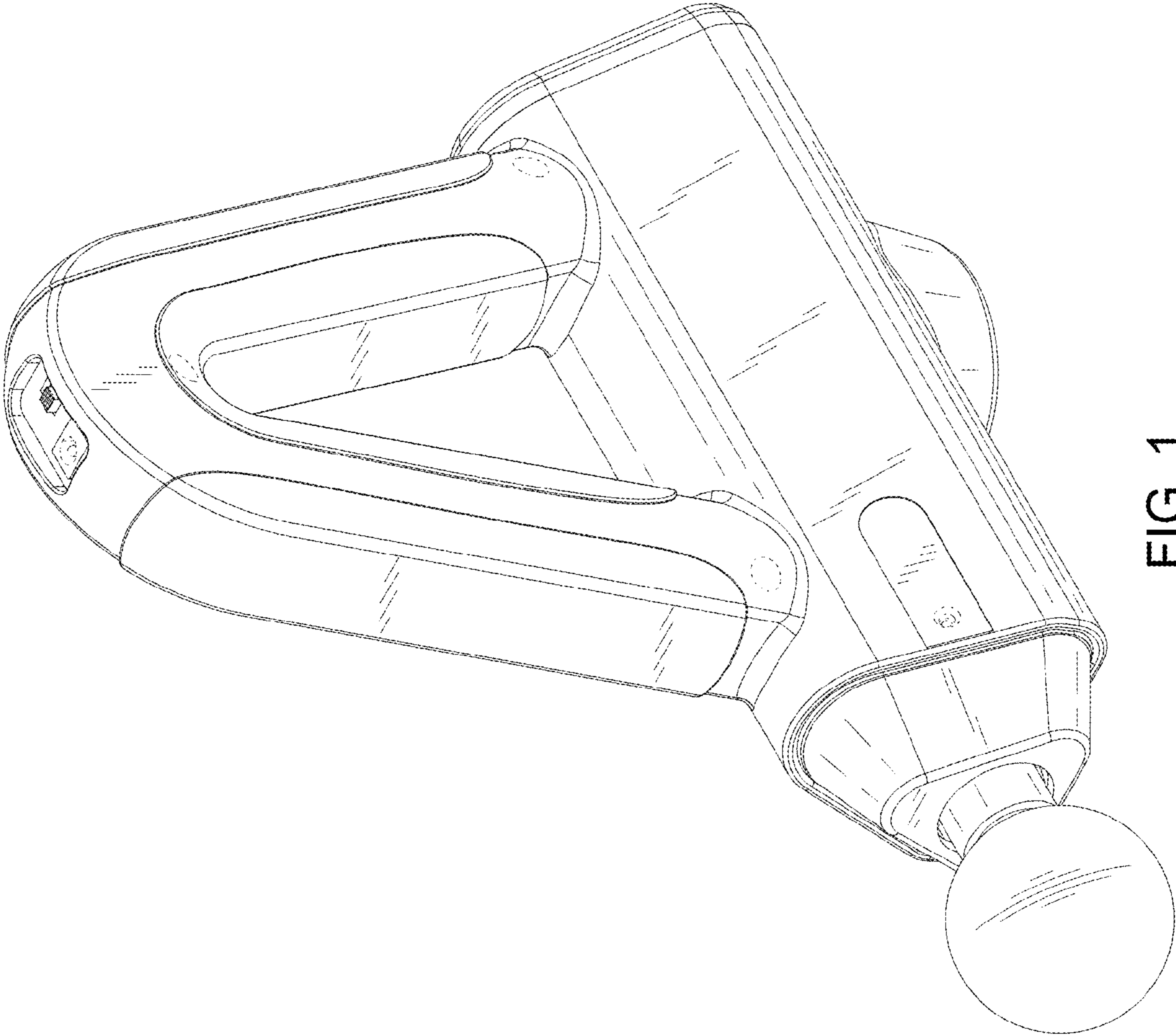


FIG. 1

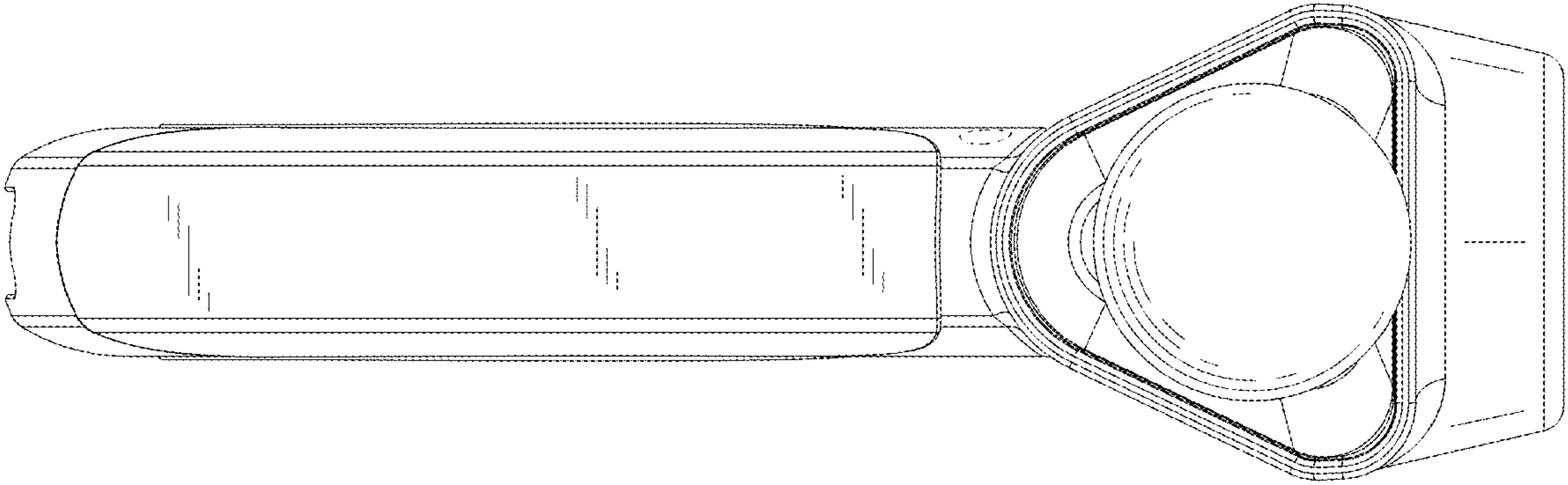


FIG. 2

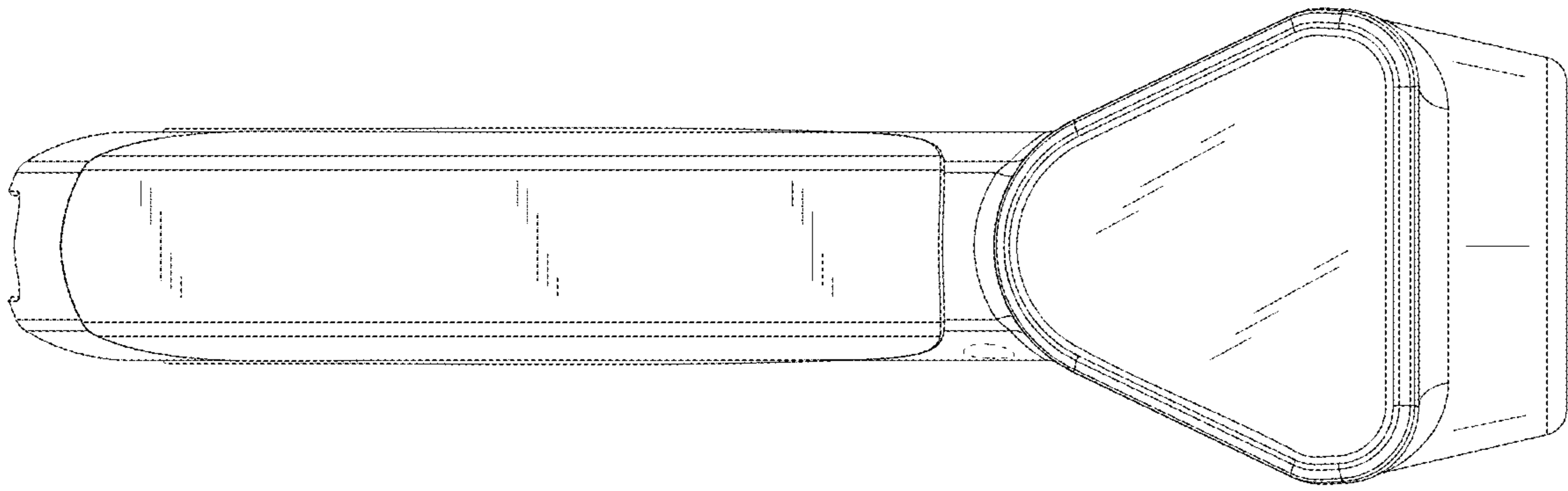


FIG. 3

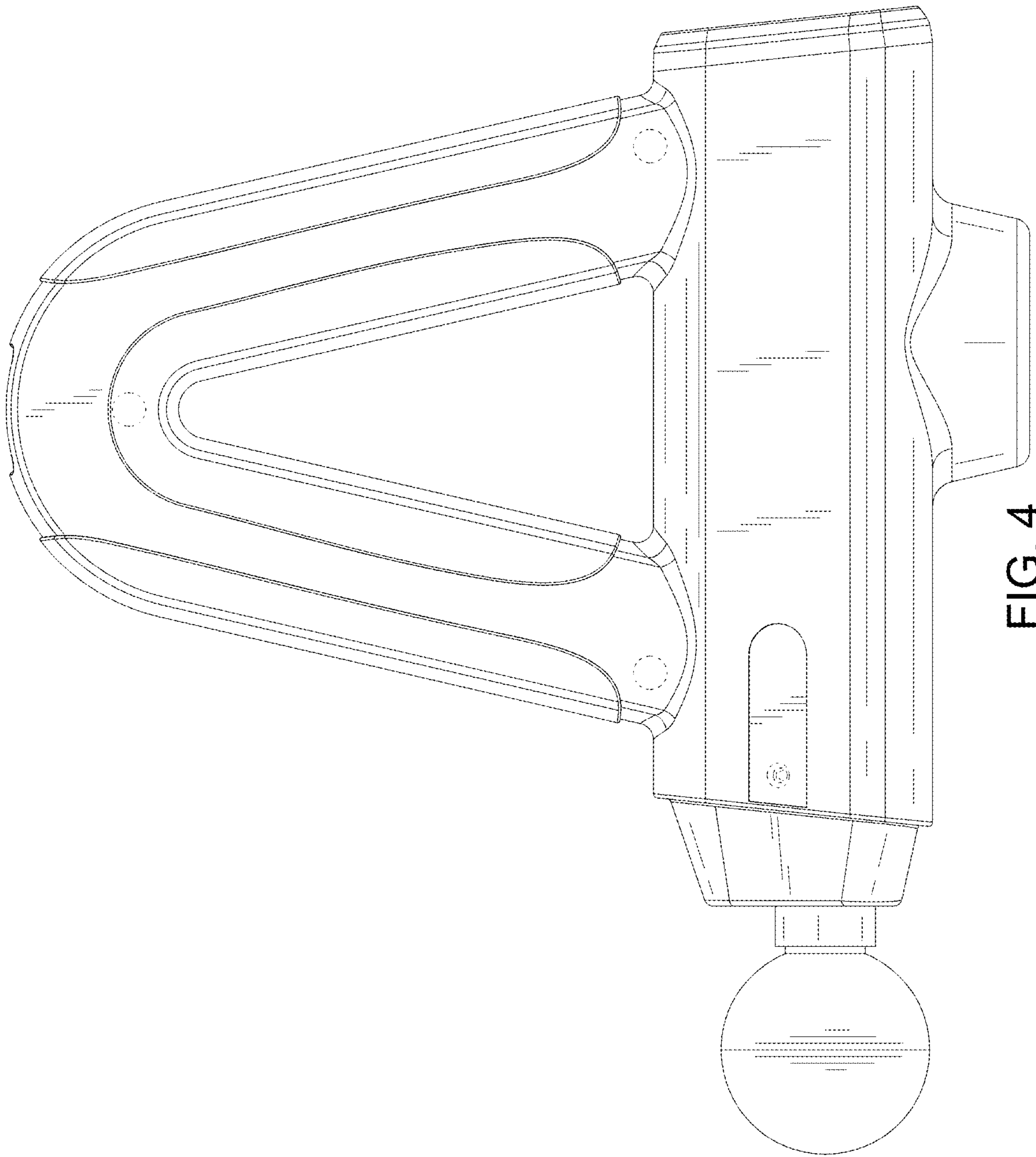


FIG. 4

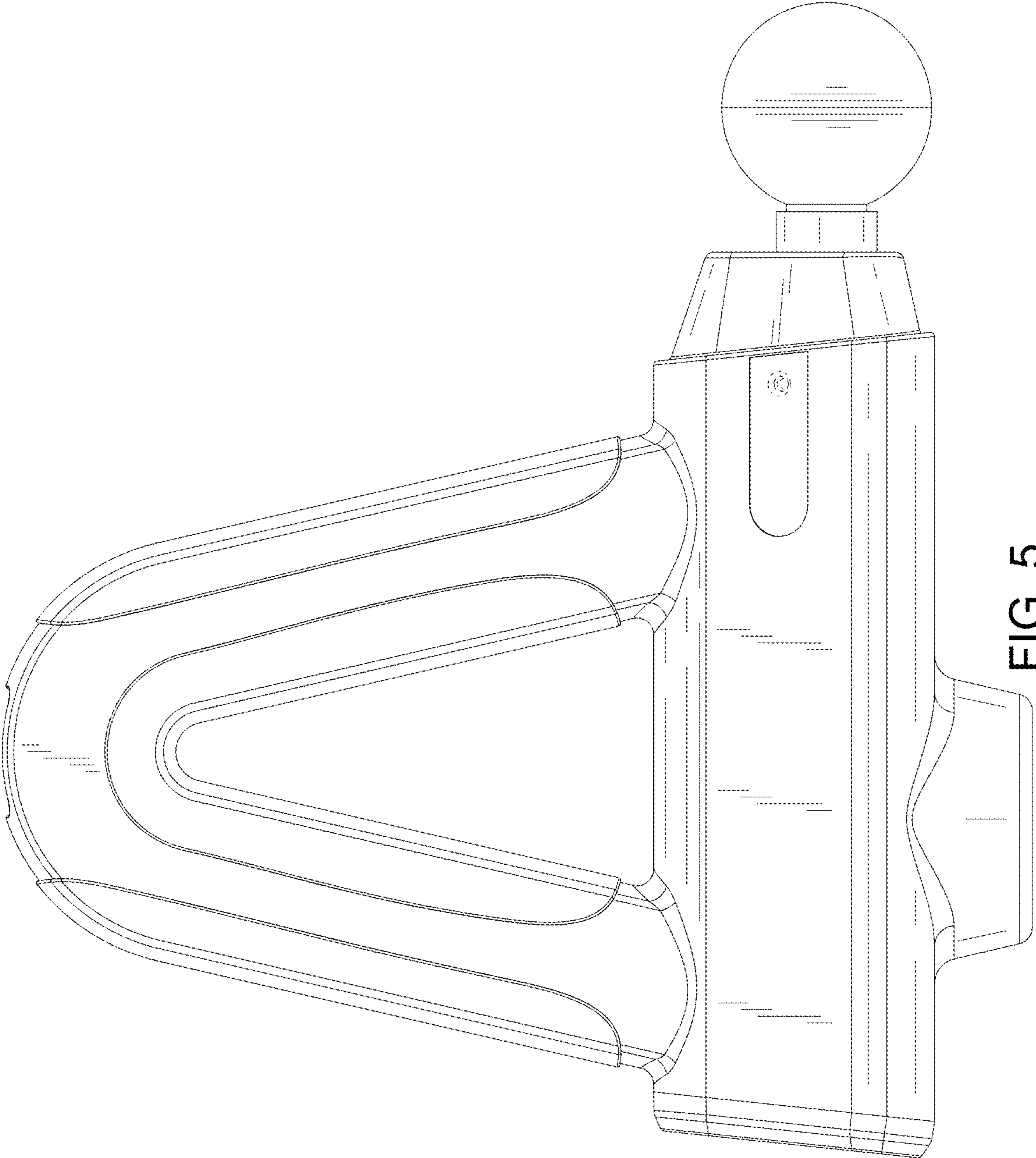


FIG. 5

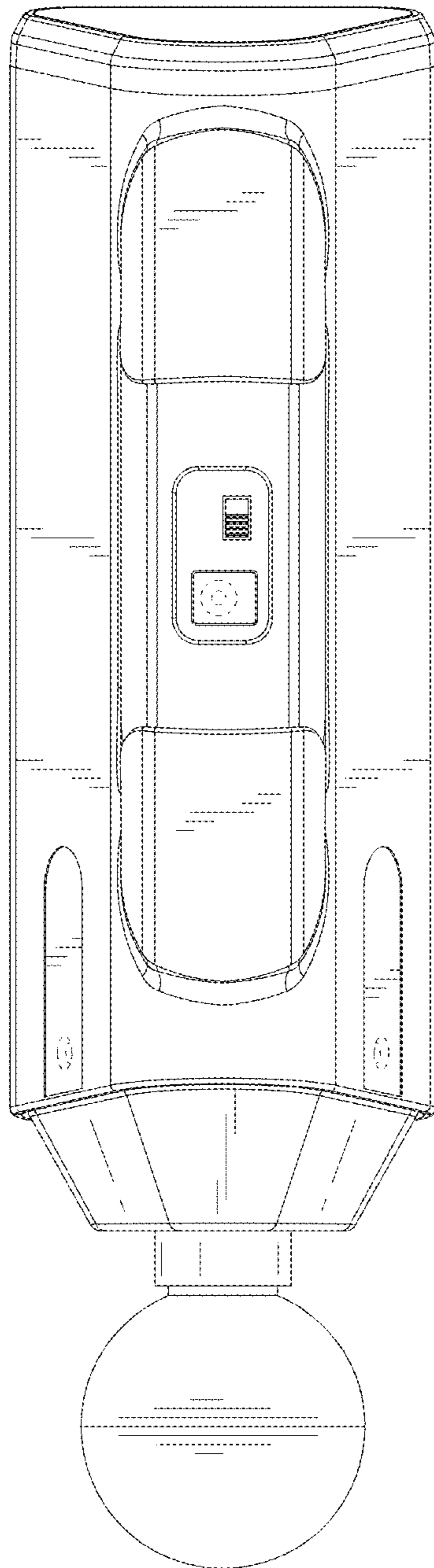


FIG. 6

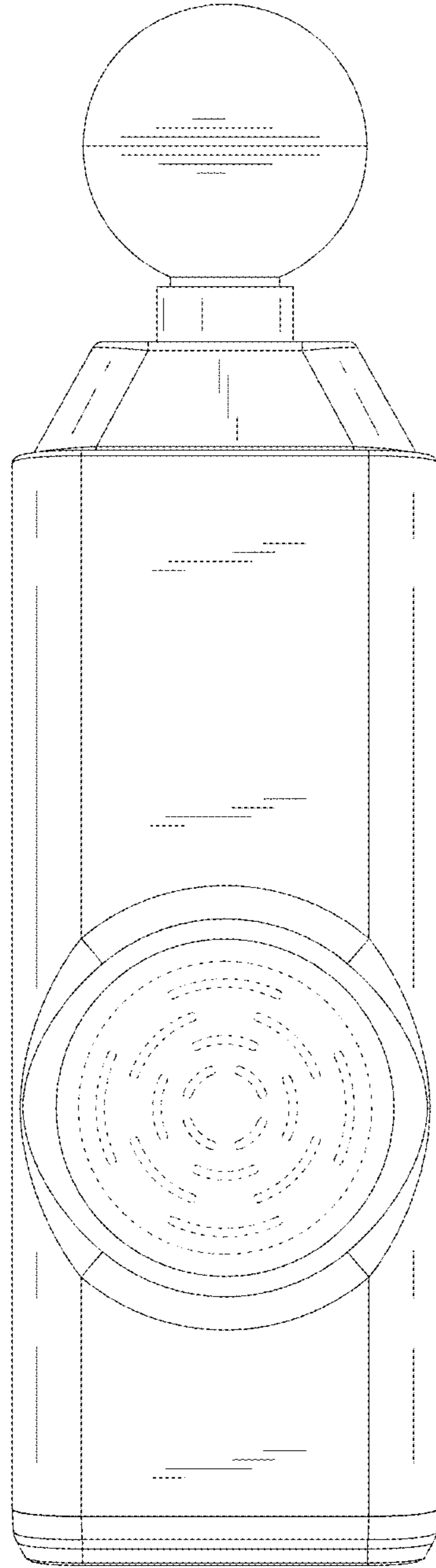


FIG. 7