



US00D912267S

(12) **United States Design Patent** (10) **Patent No.:** **US D912,267 S**
Tang (45) **Date of Patent:** **** Mar. 2, 2021**

(54) **MESSAGE DEVICE**

(71) Applicant: **Hui Tang**, Tianmen (CN)

(72) Inventor: **Hui Tang**, Tianmen (CN)

(**) Term: **15 Years**

(21) Appl. No.: **29/739,521**

(22) Filed: **Jun. 25, 2020**

(51) **LOC (13) Cl.** **28-03**

(52) **U.S. Cl.**
USPC **D24/215**

(58) **Field of Classification Search**
USPC D24/200, 211–215
CPC A61H 7/001; A61H 7/007; A61H 7/002;
A61H 7/003; A61H 1/00; A61H 23/006;
A61H 23/004; A61H 23/06; A61H 23/00;
A61H 2201/0153; A61H 2201/0157;
A61H 2205/06; A61H 2205/065; A61H
2205/081; A61H 2205/10

See application file for complete search history.

(56) **References Cited**

U.S. PATENT DOCUMENTS

D329,291	S	*	9/1992	Wollman	D24/200
D841,830	S		2/2019	Hu		
10,314,762	B1	*	6/2019	Marton	A61H 23/006
D855,822	S	*	8/2019	Marton	D24/215
D873,432	S	*	1/2020	Duan	D24/214
D874,015	S	*	1/2020	Marton	D24/215
D875,961	S	*	2/2020	Li	D24/211
D884,205	S	*	5/2020	Zhuang	D24/215
D884,207	S	*	5/2020	Ma	D24/215
D893,738	S	*	8/2020	Zhuang	D24/215
D895,133	S	*	9/2020	Xu	D24/215
D895,135	S	*	9/2020	Xu	D24/215
D895,831	S	*	9/2020	Chen	D24/215
D898,209	S	*	10/2020	Xu	D24/214

D898,933	S	*	10/2020	Xu	D24/215
D899,620	S	*	10/2020	Huang	D24/215
D907,229	S	*	1/2021	Zhang	D24/215
D907,230	S	*	1/2021	Zhang	D24/215
2020/0352823	A1	*	11/2020	Marton	A61H 23/006

FOREIGN PATENT DOCUMENTS

CN 305899107 * 9/2019

OTHER PUBLICATIONS

Massage Gun Deep Tissue—30 Speed Massage Gun Massager Handheld Percussion Thera Muscle Massage Guns for Athletes Fascia Gun Body Massage Machine Sports Drill for Deep Tissue Massager. Available: Nov. 27, 2019. Retrieved from the Internet: <https://www.amazon.com/Percussion-Thera-Muscle-Massage-Gun/dp/B07ZM6PZ3P>.*

* cited by examiner

Primary Examiner — Wan Laymon

(74) *Attorney, Agent, or Firm* — Justin Lampel

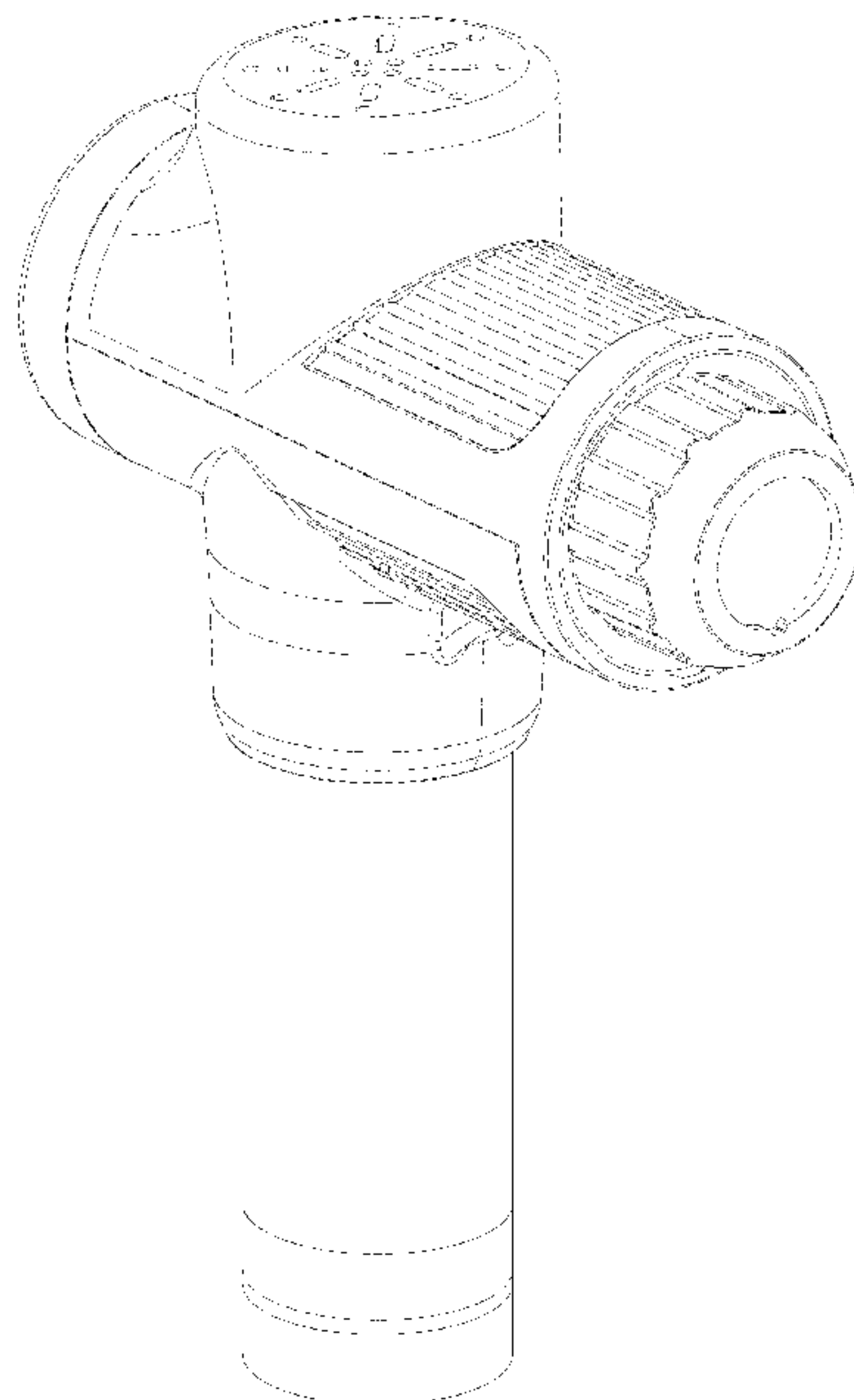
(57) **CLAIM**

The ornamental design for a massage device, as shown and described.

DESCRIPTION

FIG. 1 is a perspective view of a massage device showing the claimed design;
FIG. 2 is a top plan view thereof;
FIG. 3 is a left side view thereof;
FIG. 4 is a front elevational view thereof;
FIG. 5 is a right side view thereof;
FIG. 6 is a rear elevational view thereof; and,
FIG. 7 is a bottom plan view thereof.
The broken lines illustrate portions of the massage device that form no part of the claimed design.

1 Claim, 7 Drawing Sheets



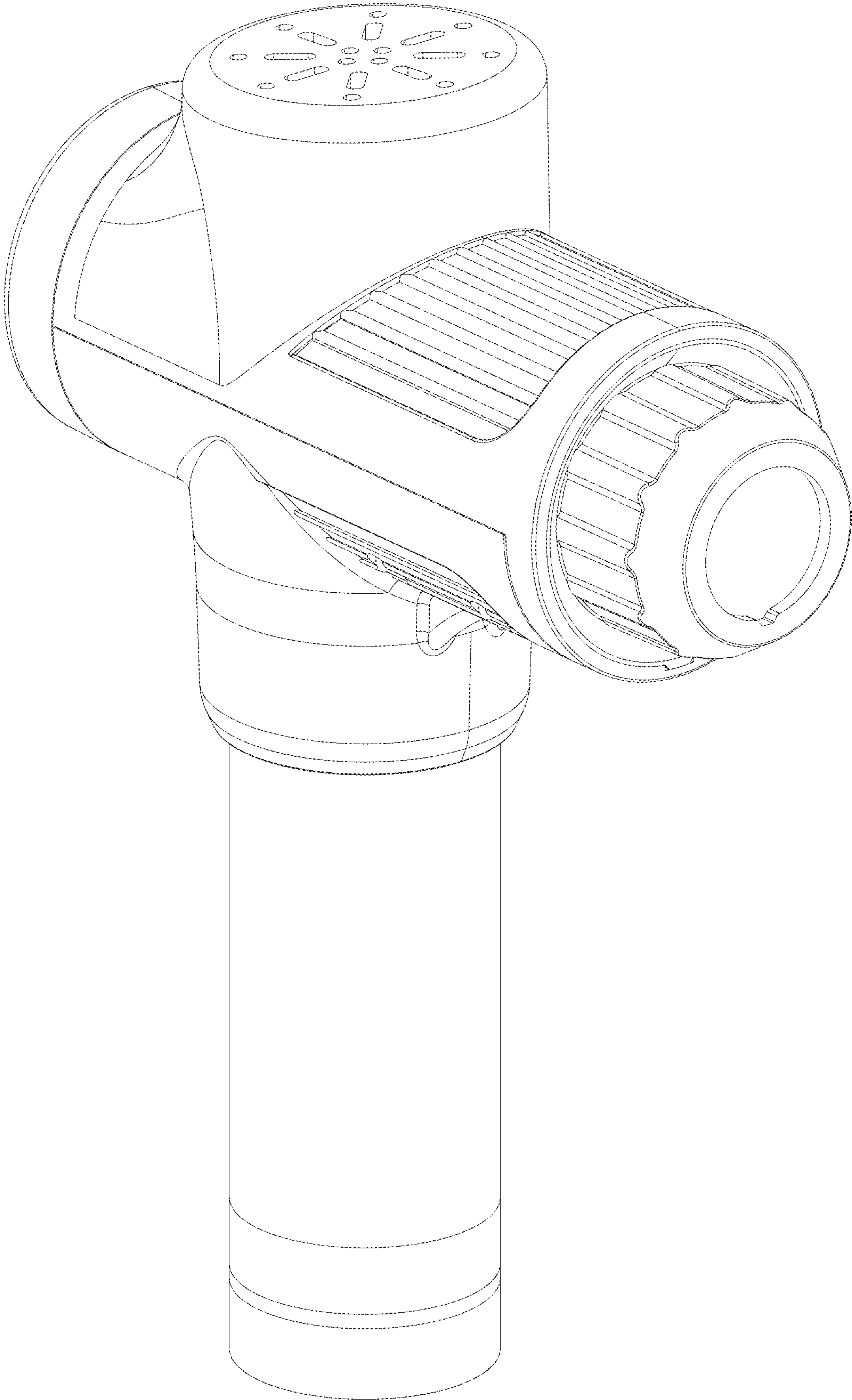


FIG.1

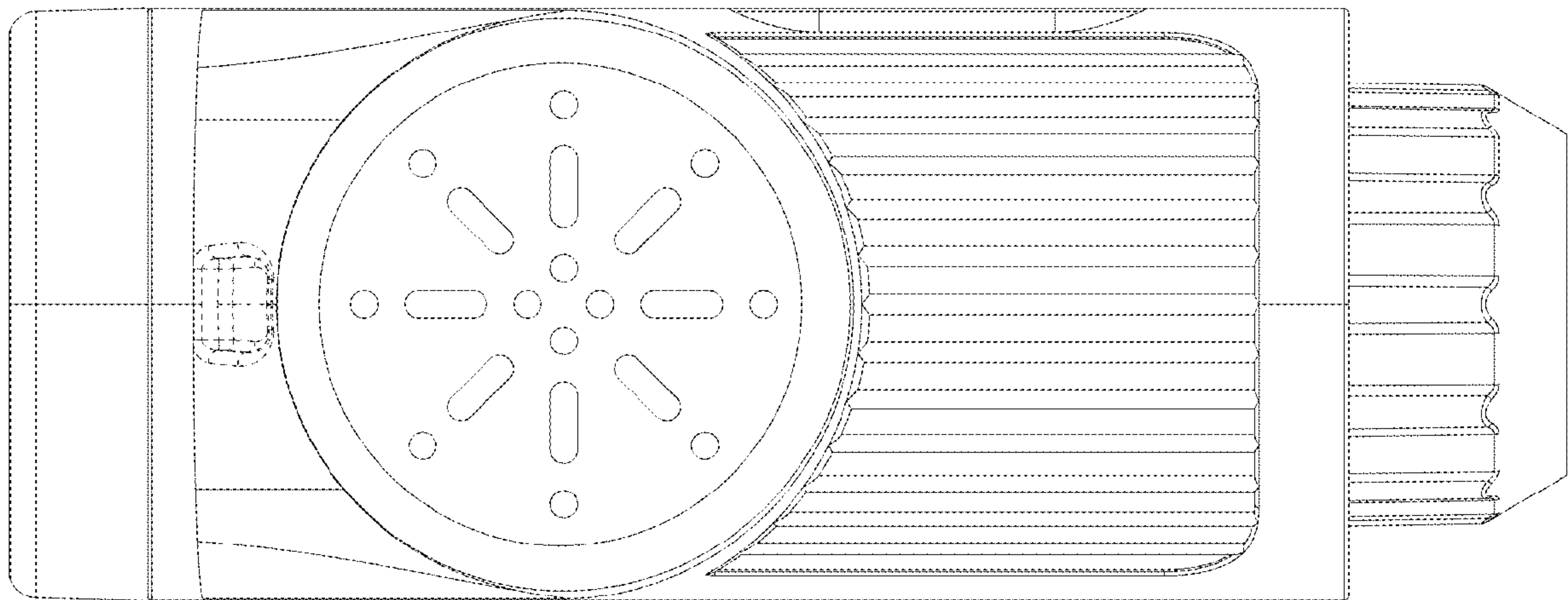


FIG.2

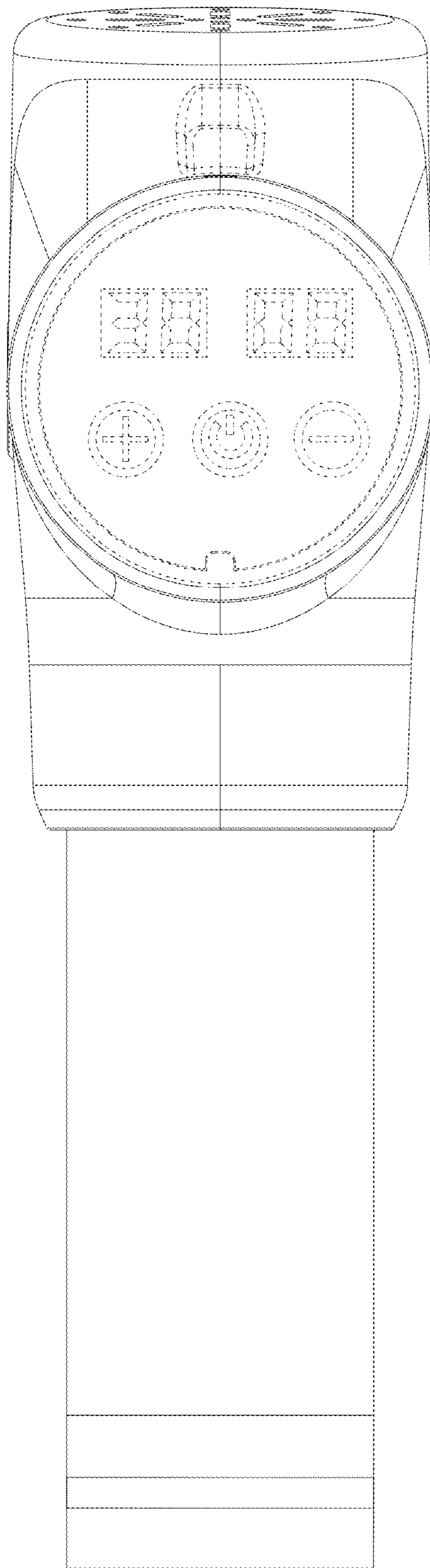


FIG. 3

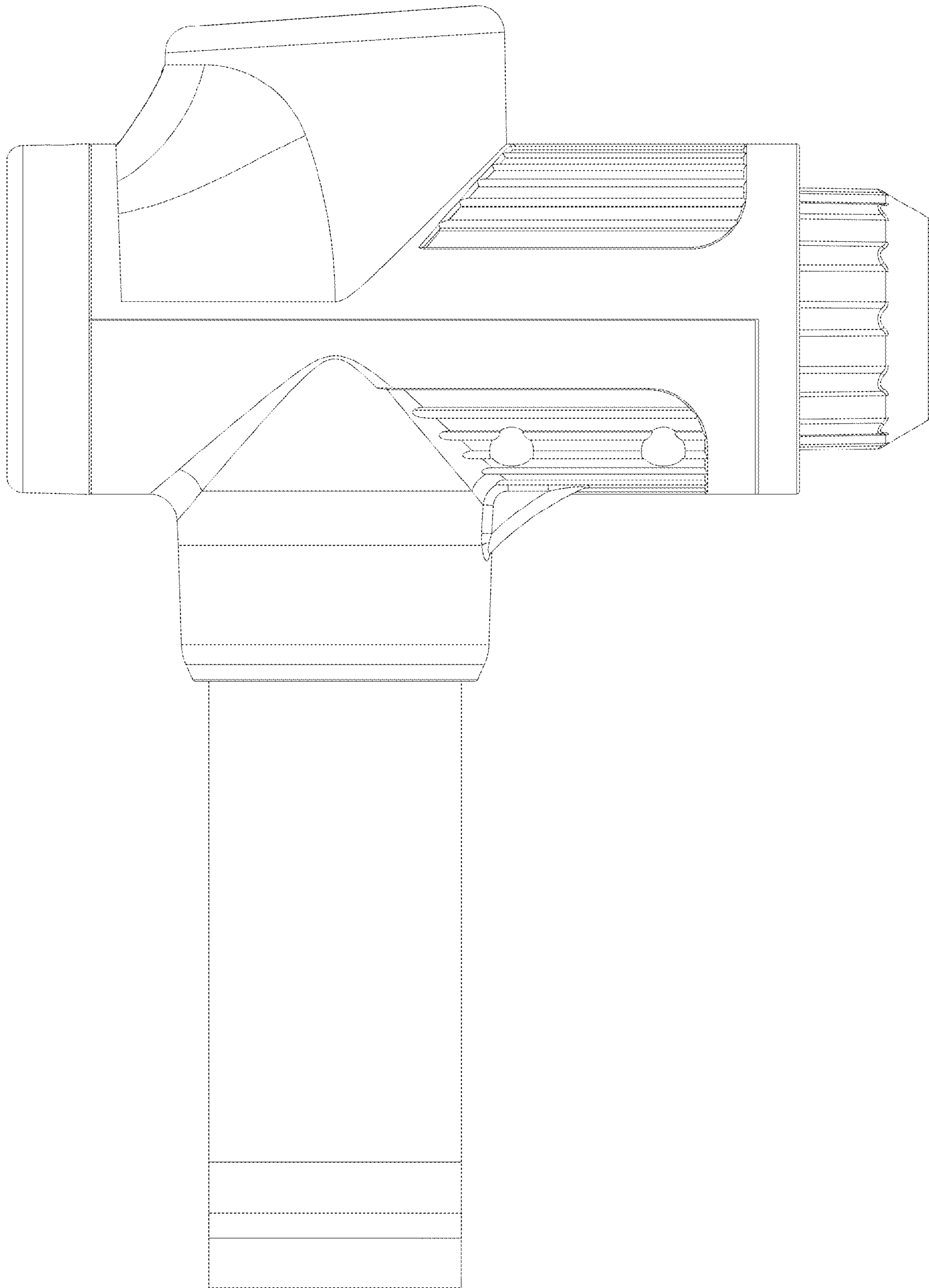


FIG.4

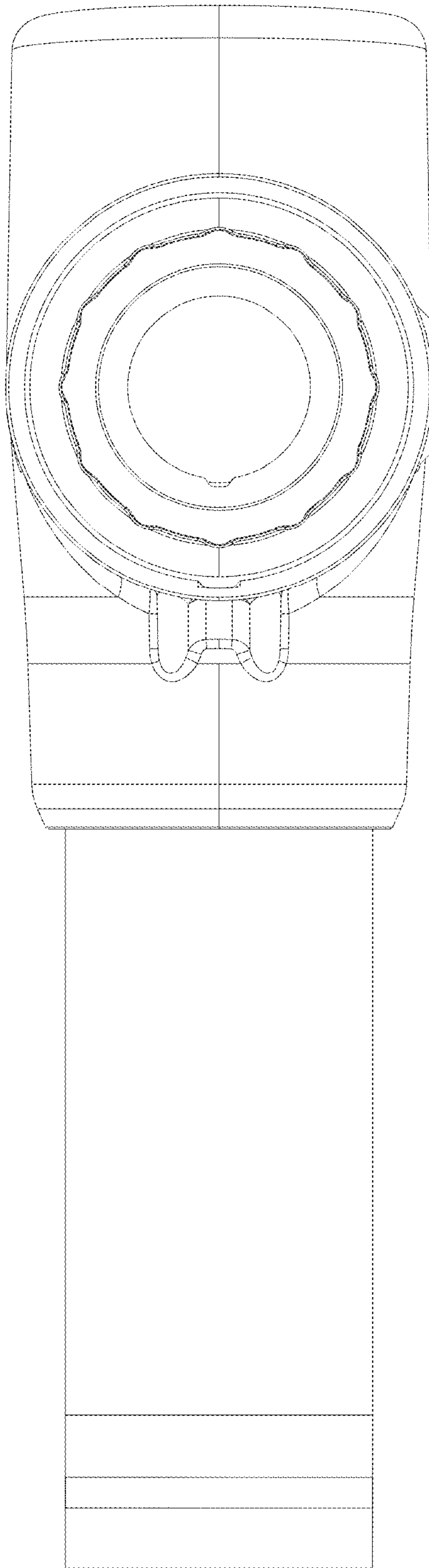


FIG. 5

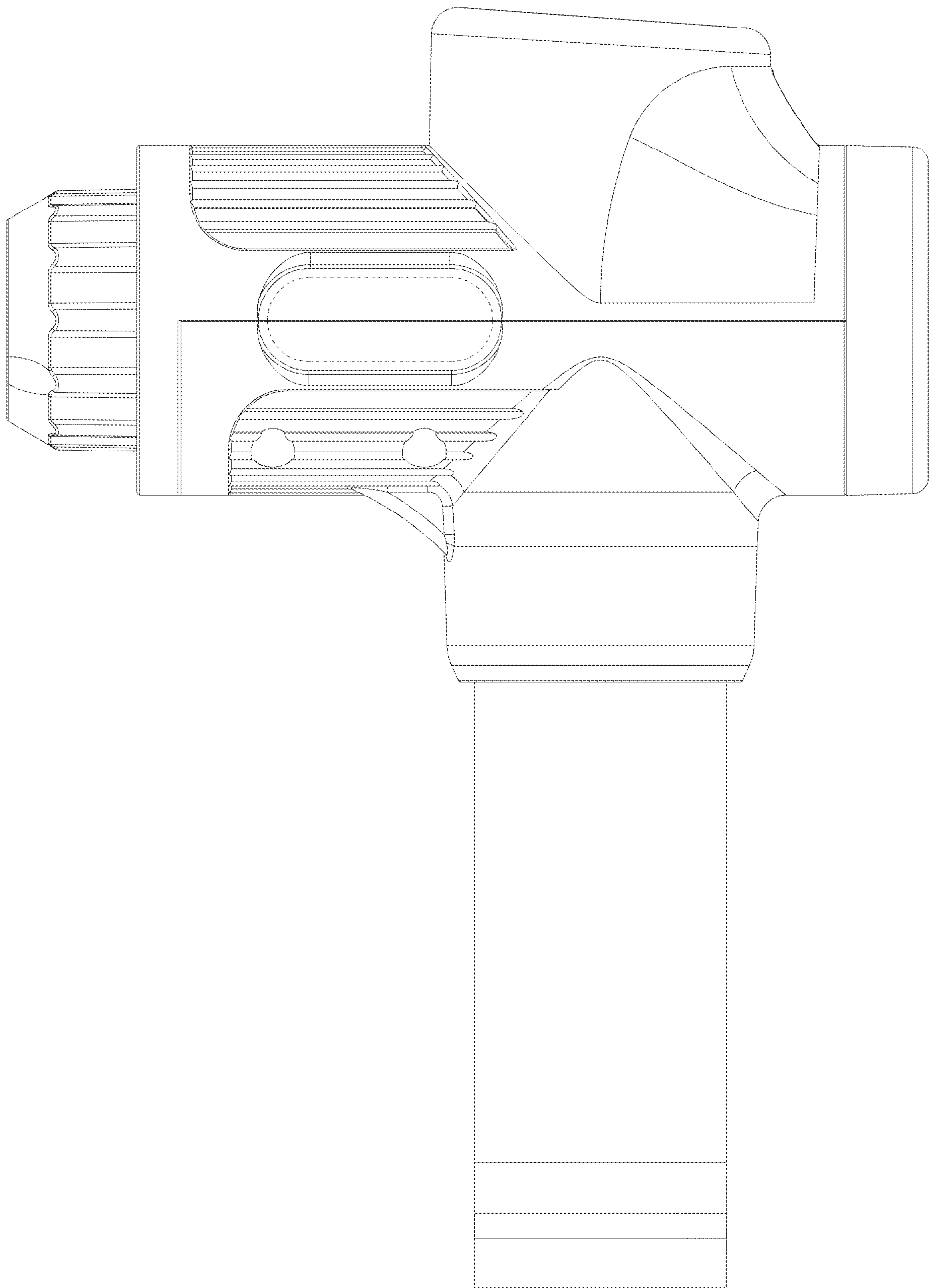


FIG. 6

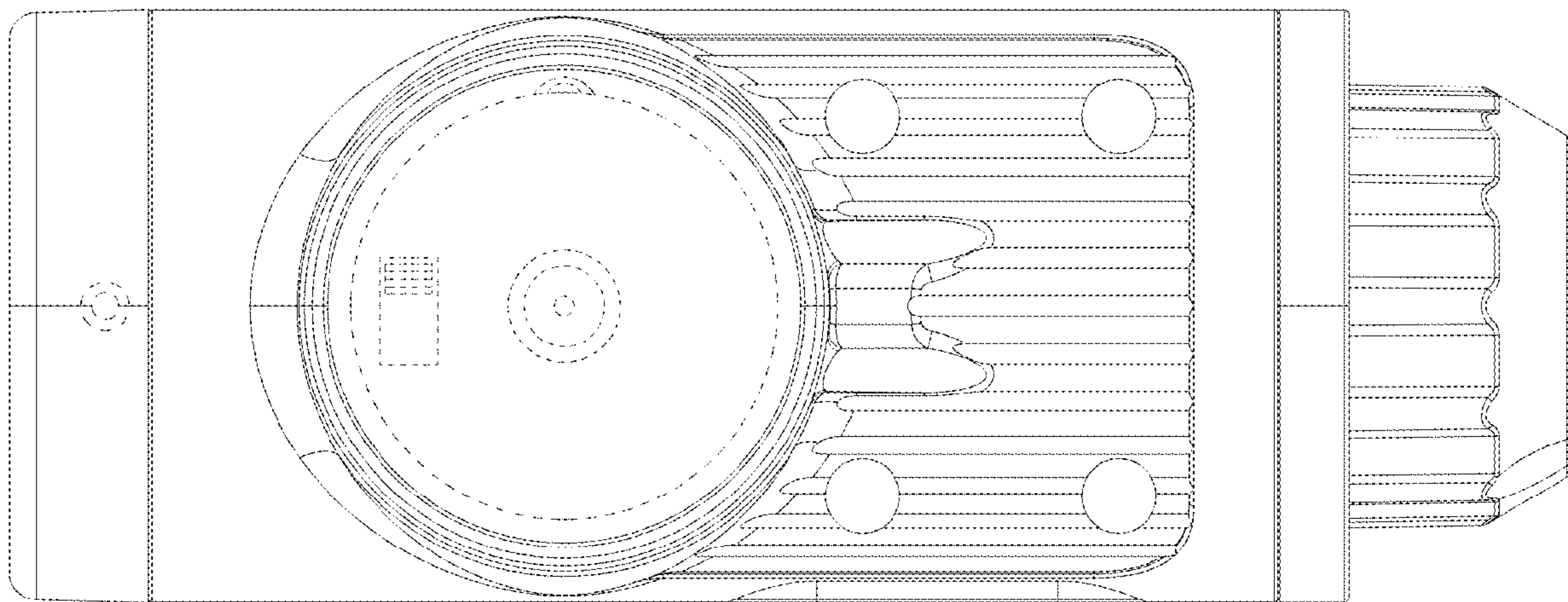


FIG. 7