



US00D912254S

(12) **United States Design Patent** (10) **Patent No.:** **US D912,254 S**  
**Roy** (45) **Date of Patent:** **\*\* Mar. 2, 2021**

(54) **HANDHELD ULTRASOUND SYSTEM**

(71) Applicant: **yoR Labs, Inc.**, Portland, OR (US)

(72) Inventor: **Michael Benjamin Roy**, Portland, OR (US)

(73) Assignee: **yoR Labs, Inc.**, Portland, OR (US)

(\*\*) Term: **15 Years**

(21) Appl. No.: **29/689,849**

(22) Filed: **May 2, 2019**

(51) **LOC (13) Cl.** ..... **24-01**

(52) **U.S. Cl.**  
USPC ..... **D24/186; D24/187**

(58) **Field of Classification Search**  
USPC ..... D24/137, 138, 158–160, 185–187, 231;  
D10/78  
CPC ..... A61B 8/445; A61B 8/4455; A61B 8/4461  
See application file for complete search history.

(56) **References Cited**

**U.S. PATENT DOCUMENTS**

D381,750 S *	7/1997	Sasady .....	D24/187
D412,580 S *	8/1999	Kellstedt .....	D24/187
D462,446 S *	9/2002	Felix .....	D24/187
D467,002 S *	12/2002	Felix .....	D24/187

D473,942 S *	4/2003	Motoki .....	D24/137
D636,088 S *	4/2011	Loew .....	D24/200
D782,684 S *	3/2017	Pippel .....	D24/186
D825,765 S *	8/2018	Yang .....	D24/187
D870,294 S *	12/2019	Bechtel .....	D24/186
2010/0160784 A1	6/2010	Poland et al.	
2018/0055483 A1*	3/2018	Hunter .....	A61B 8/54
2018/0317883 A1*	11/2018	Huhtamaki .....	A61B 8/4427

\* cited by examiner

*Primary Examiner* — Anhdao Doan

(74) *Attorney, Agent, or Firm* — Knobbe, Martens, Olson & Bear LLP

(57) **CLAIM**

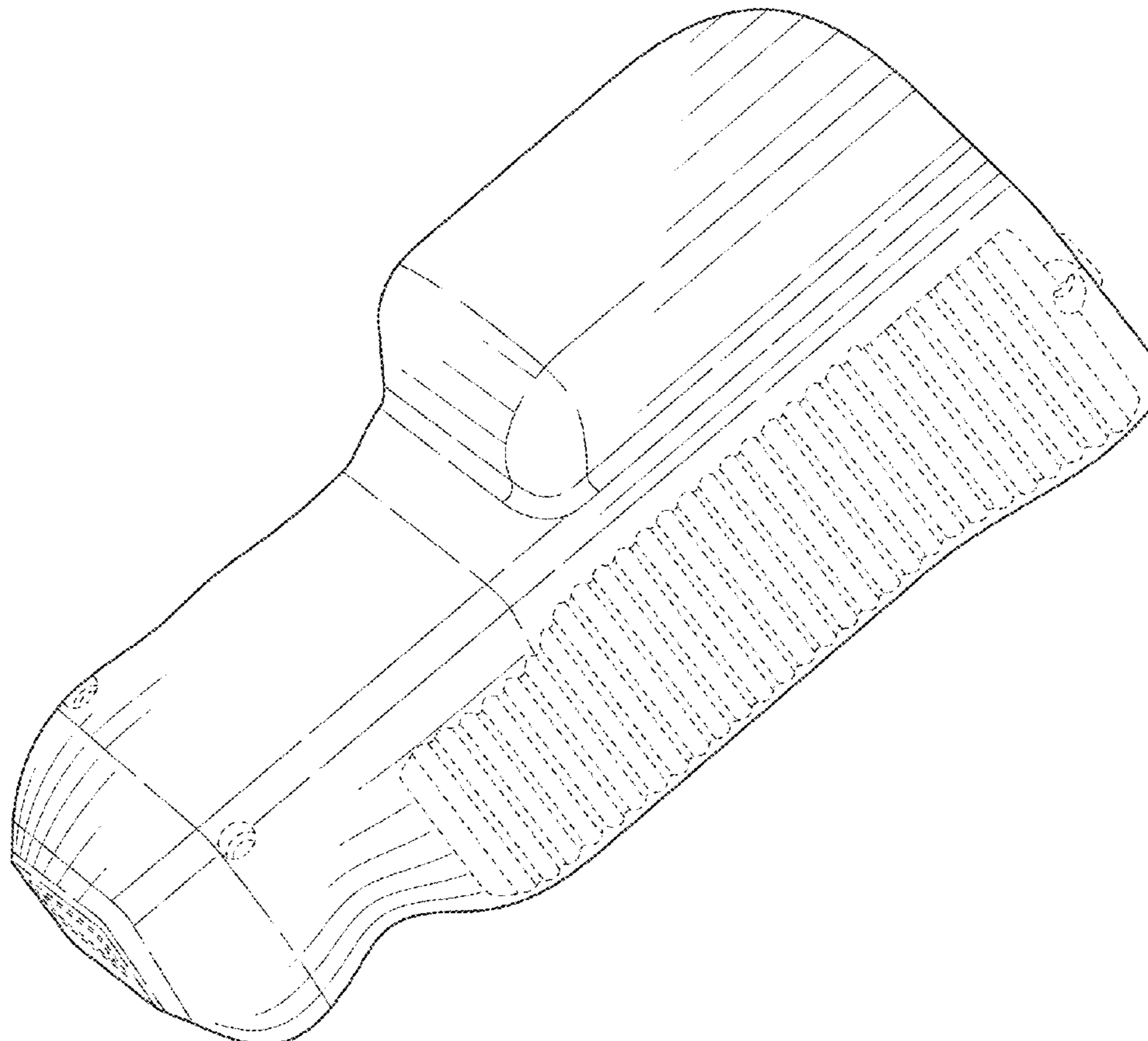
The ornamental design for a handheld ultrasound system, as shown and described.

**DESCRIPTION**

FIG. 1 is a perspective view of a handheld ultrasound system configured in accordance with the present invention; FIG. 2 is a front view thereof; FIG. 3 is a back view thereof; FIG. 4 is a right side view thereof; FIG. 5 is a left side view thereof; FIG. 6 is a top view of thereof; and, FIG. 7 is a bottom view thereof.

The broken lines depict portions of the handheld ultrasound system that form no part of the claimed design; the broken lines form no part of the claimed design.

**1 Claim, 4 Drawing Sheets**



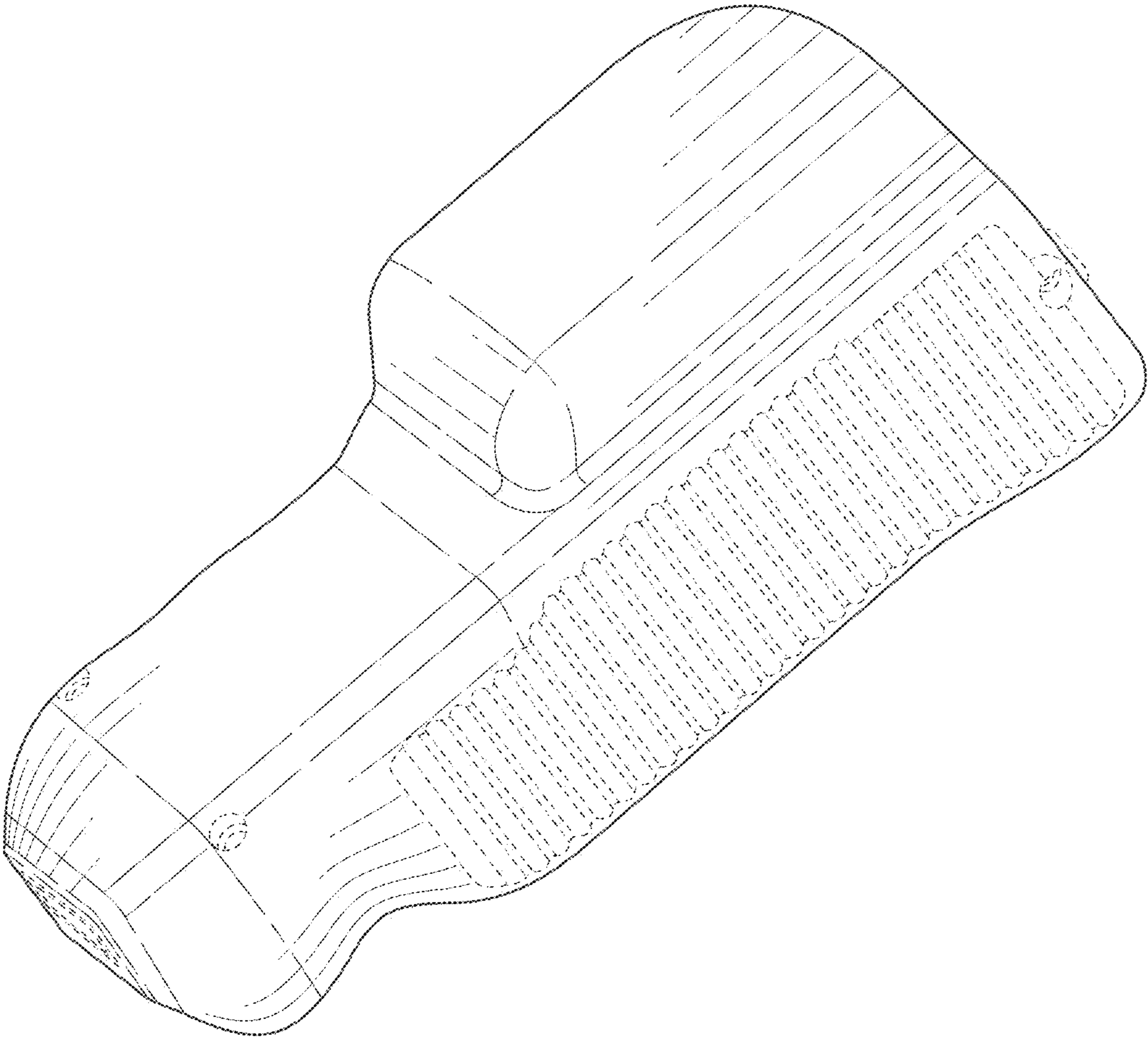


FIG. 1

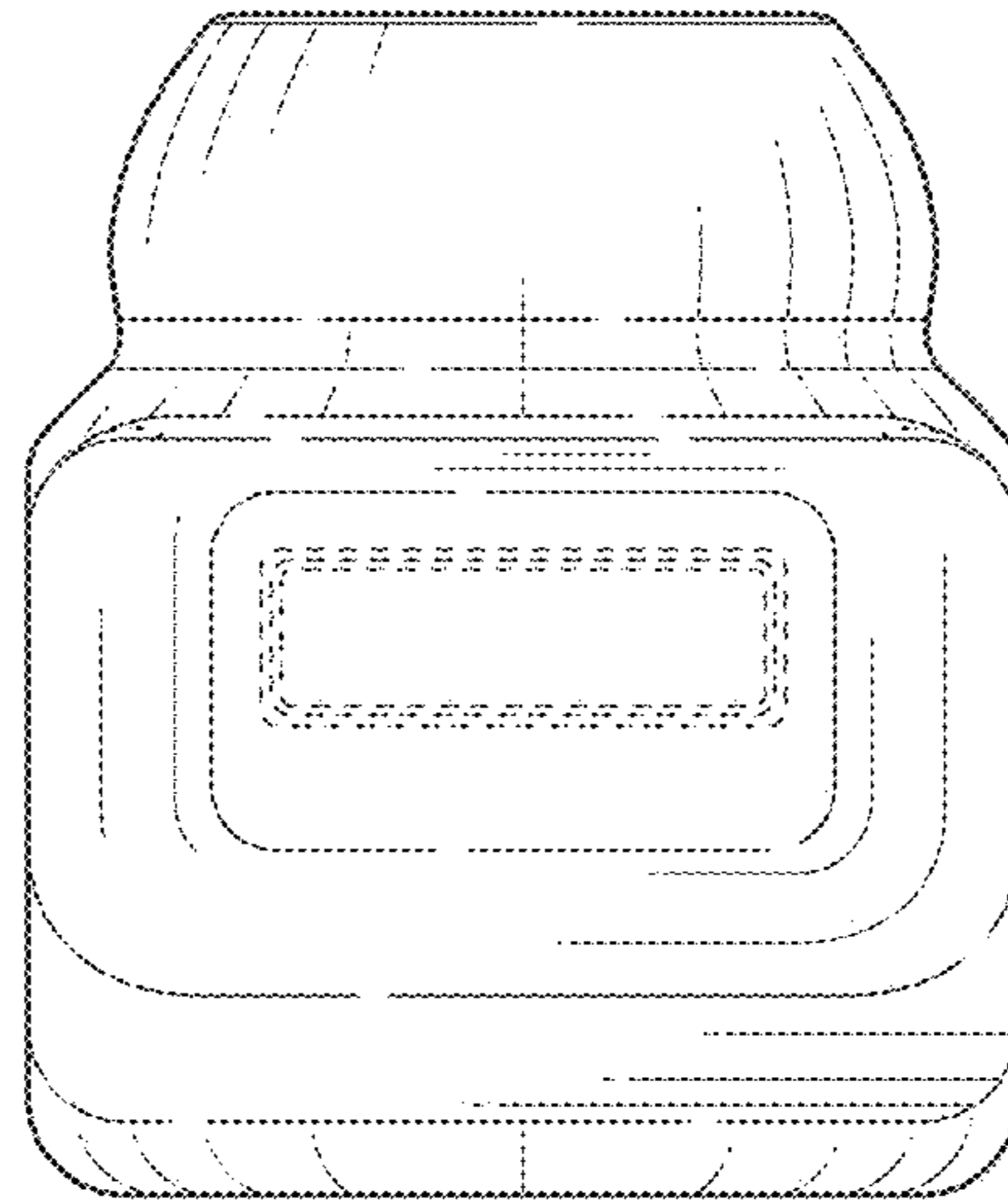


FIG. 2

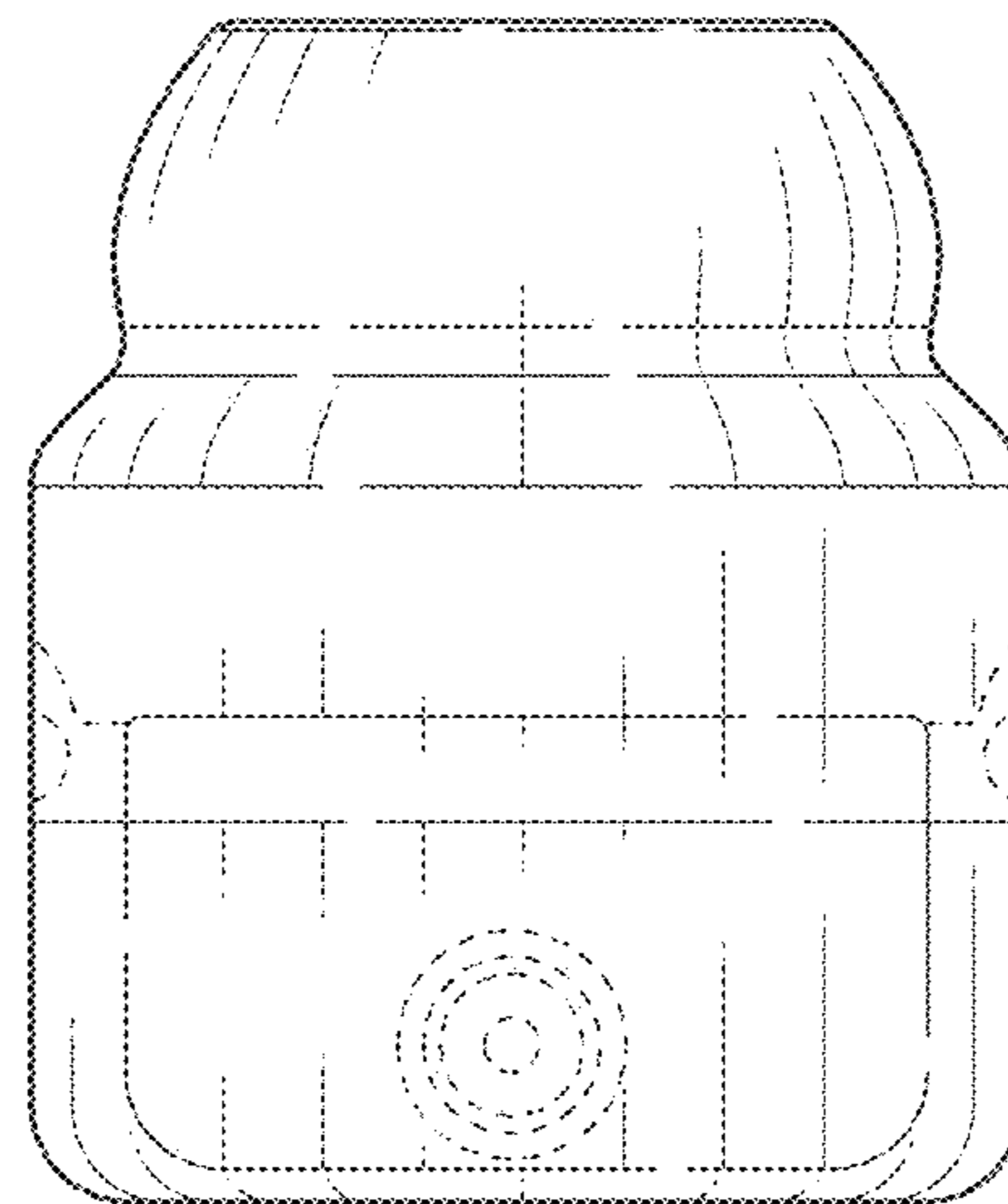


FIG. 3

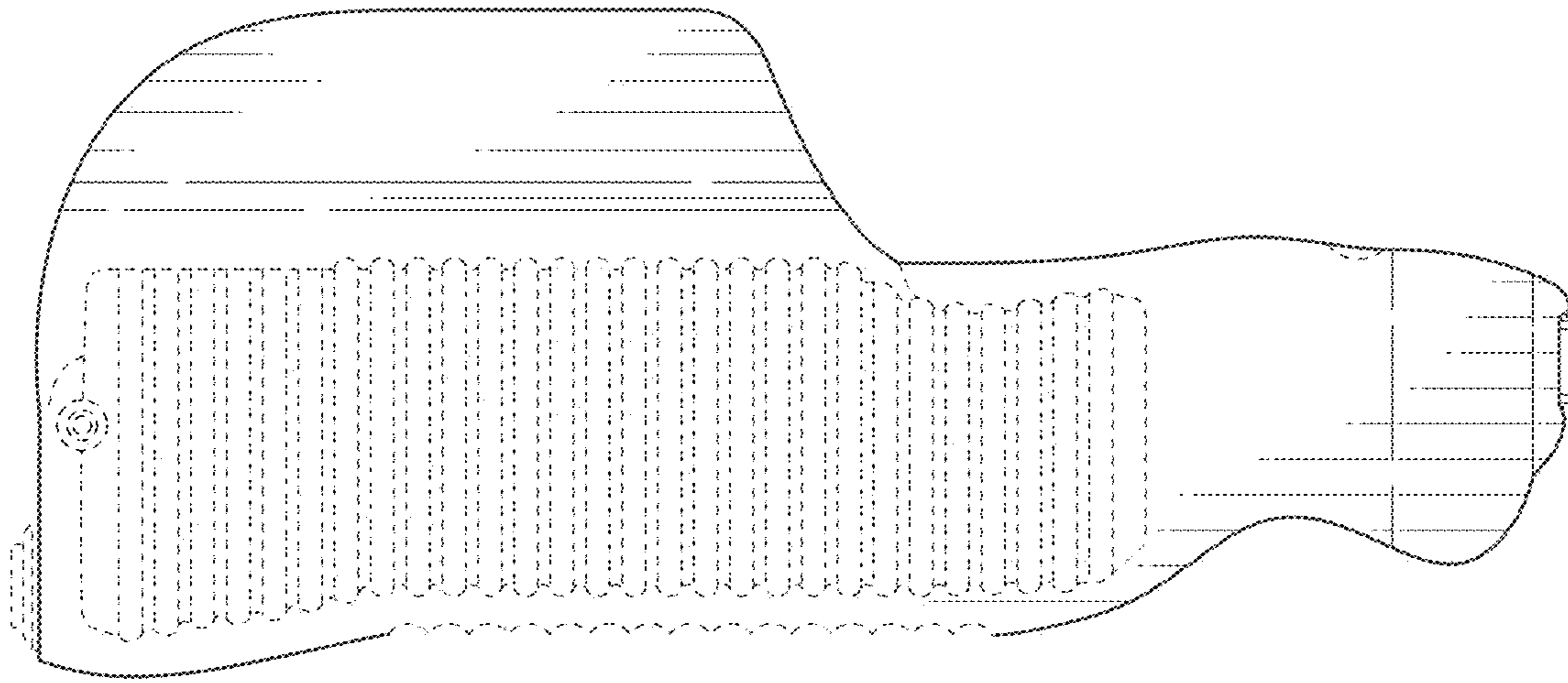


FIG. 4

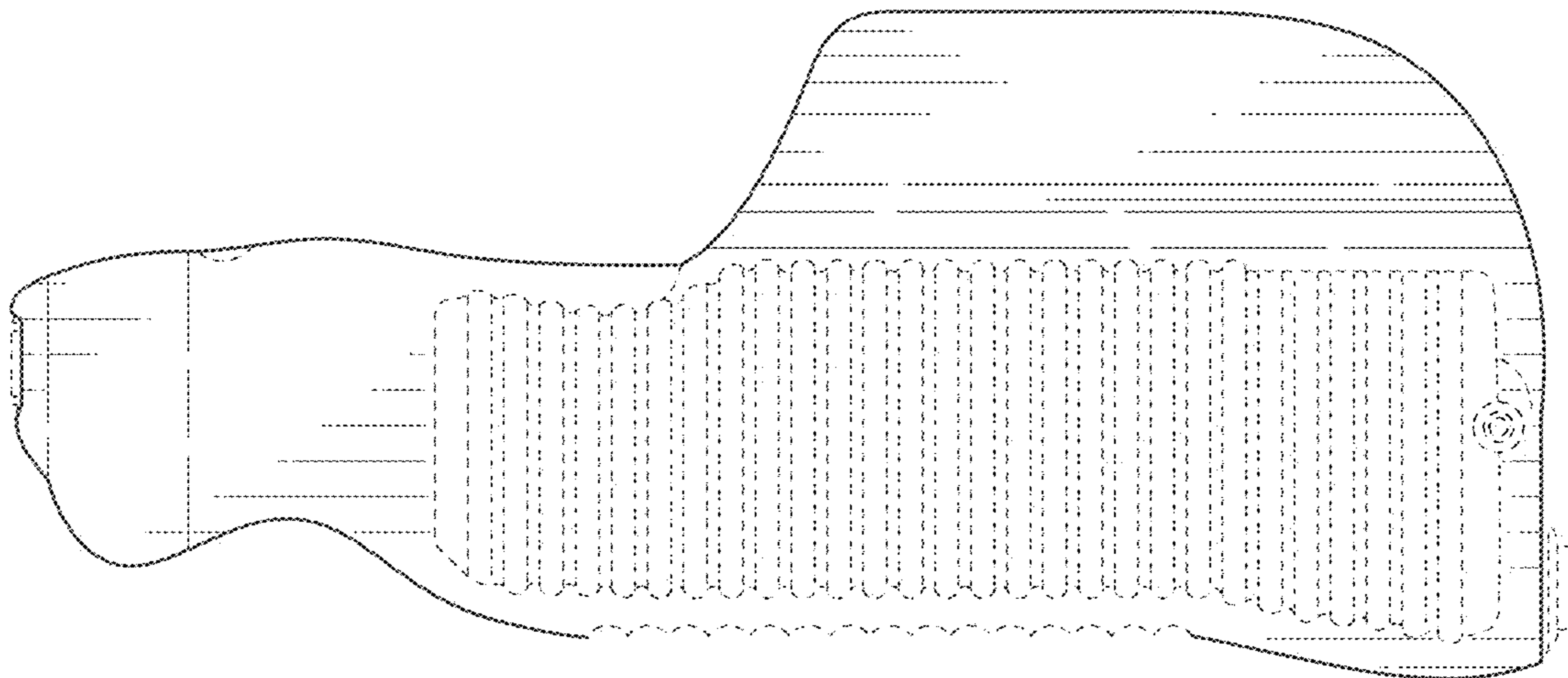


FIG. 5

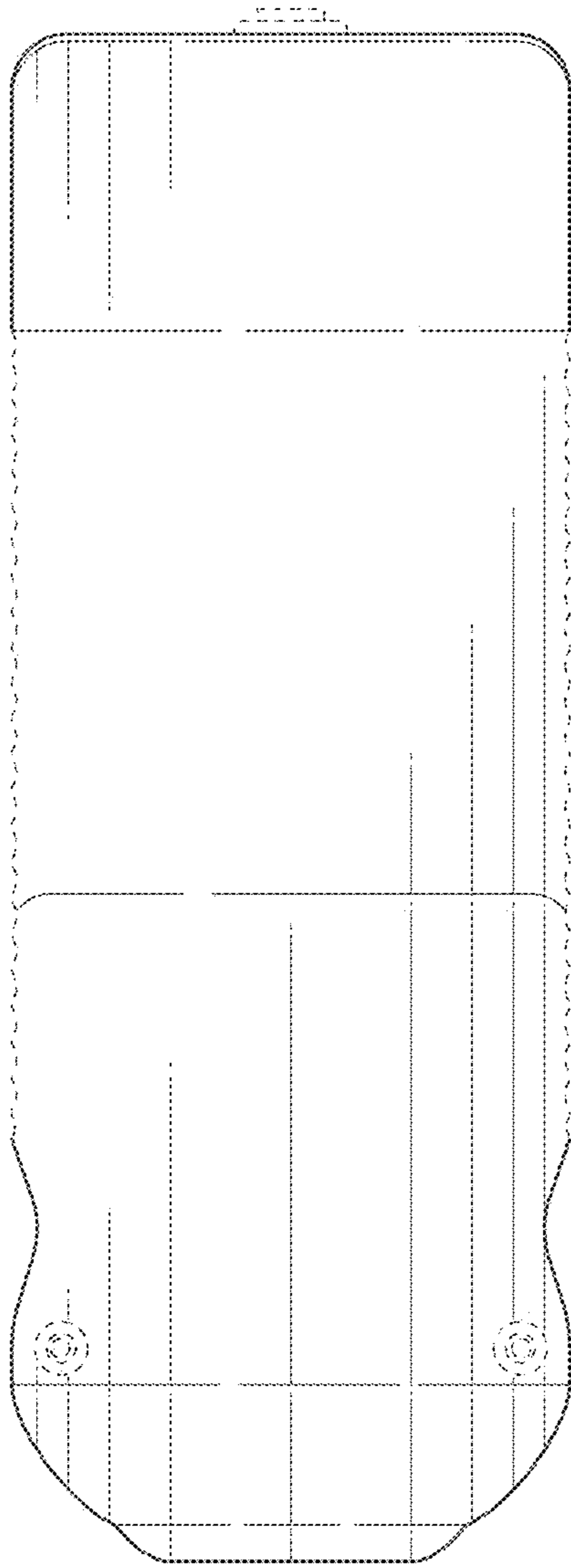


FIG. 6

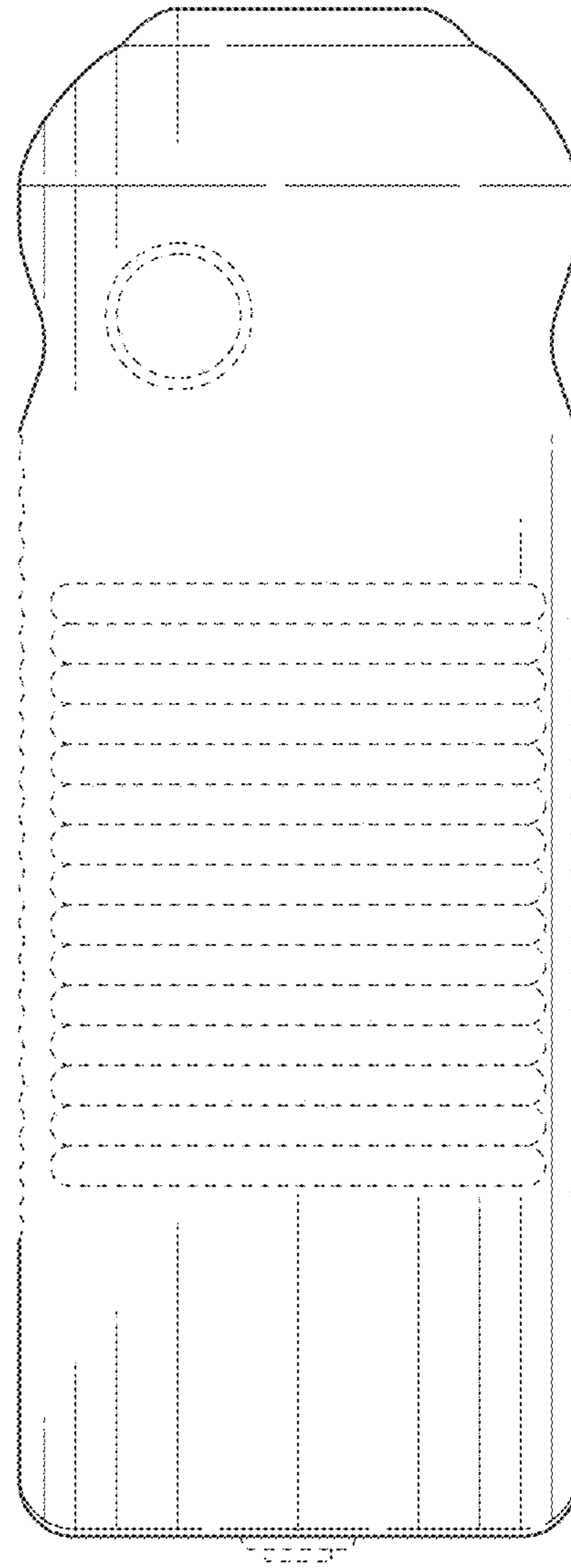


FIG. 7