



US00D912248S

(12) **United States Design Patent**
Yan et al.

(10) **Patent No.:** **US D912,248 S**
(45) **Date of Patent:** **** Mar. 2, 2021**

(54) **ENDOSCOPE**

(71) Applicant: **Shenzhen Yateks Optical Electronic Technology Co., Ltd.,** Shenzhen (CN)

(72) Inventors: **Jiangfan Yan,** Shenzhen (CN); **Quan Zhong,** Shenzhen (CN); **Wei Peng,** Shenzhen (CN); **Tianyue Ma,** Shenzhen (CN)

(73) Assignee: **SHENZHEN YATEKS OPTICAL ELECTRONIC TECHNOLOGY CO., LTD.,** Guangdong (CN)

(**) Term: **15 Years**

(21) Appl. No.: **29/552,725**

(22) Filed: **Jan. 25, 2016**

(30) **Foreign Application Priority Data**

Oct. 14, 2015 (CN) 201530395355.0

(51) **LOC (13) Cl.** **24-02**

(52) **U.S. Cl.**
USPC **D24/138**

(58) **Field of Classification Search**
USPC D24/137-138, 108, 22, 117-118, 133, D24/135; 600/145-147, 117, 137, 138, 600/131; D16/130, 132, 136
CPC A61B 1/00; A61B 1/267; A61B 1/2673; A61B 18/1445; A61B 2018/147; A61B 1/00052; A61B 1/0684; A61B 1/00039; A61B 1/0005; G02B 23/2484
See application file for complete search history.

(56) **References Cited**

U.S. PATENT DOCUMENTS

D530,818 S * 10/2006 Lin D24/138
D621,932 S * 8/2010 Sonleiter D24/133

D629,098 S * 12/2010 Sonleiter D24/133
D698,441 S * 1/2014 Meguro D24/138
9,095,448 B2 * 8/2015 Birkbeck A61F 2/4609
D745,670 S * 12/2015 Czupalla D24/138
D745,687 S * 12/2015 Kitayama D24/187
9,295,566 B2 * 3/2016 Birkbeck A61F 2/4609
D755,865 S * 5/2016 Williams D15/138
2005/0228228 A1 * 10/2005 Boulais A61B 1/00147
600/131
2008/0306342 A1 * 12/2008 Leonard A61B 17/2909
600/131
2010/0076260 A1 * 3/2010 Taylor A61B 17/2909
600/104
2016/0286187 A1 * 9/2016 Takenaga A61B 1/00009
2016/0309992 A1 * 10/2016 Stith G02B 23/2423

* cited by examiner

Primary Examiner — Ian Simmons

Assistant Examiner — Yolanda Robinson

(74) *Attorney, Agent, or Firm* — Ladas & Parry, LLP

(57) **CLAIM**

The ornamental design for an endoscope, as shown and described.

DESCRIPTION

FIG. 1 is a perspective view of an endoscope showing my new design;
FIG. 2 is a front view thereof;
FIG. 3 is a back view thereof;
FIG. 4 is a left view thereof;
FIG. 5 is a right view thereof;
FIG. 6 is a top view thereof; and,
FIG. 7 is a bottom view thereof.
The broken lines in FIGS. 1, 4 and 5 show portions of the endoscope that form no part of the claimed design.

1 Claim, 7 Drawing Sheets

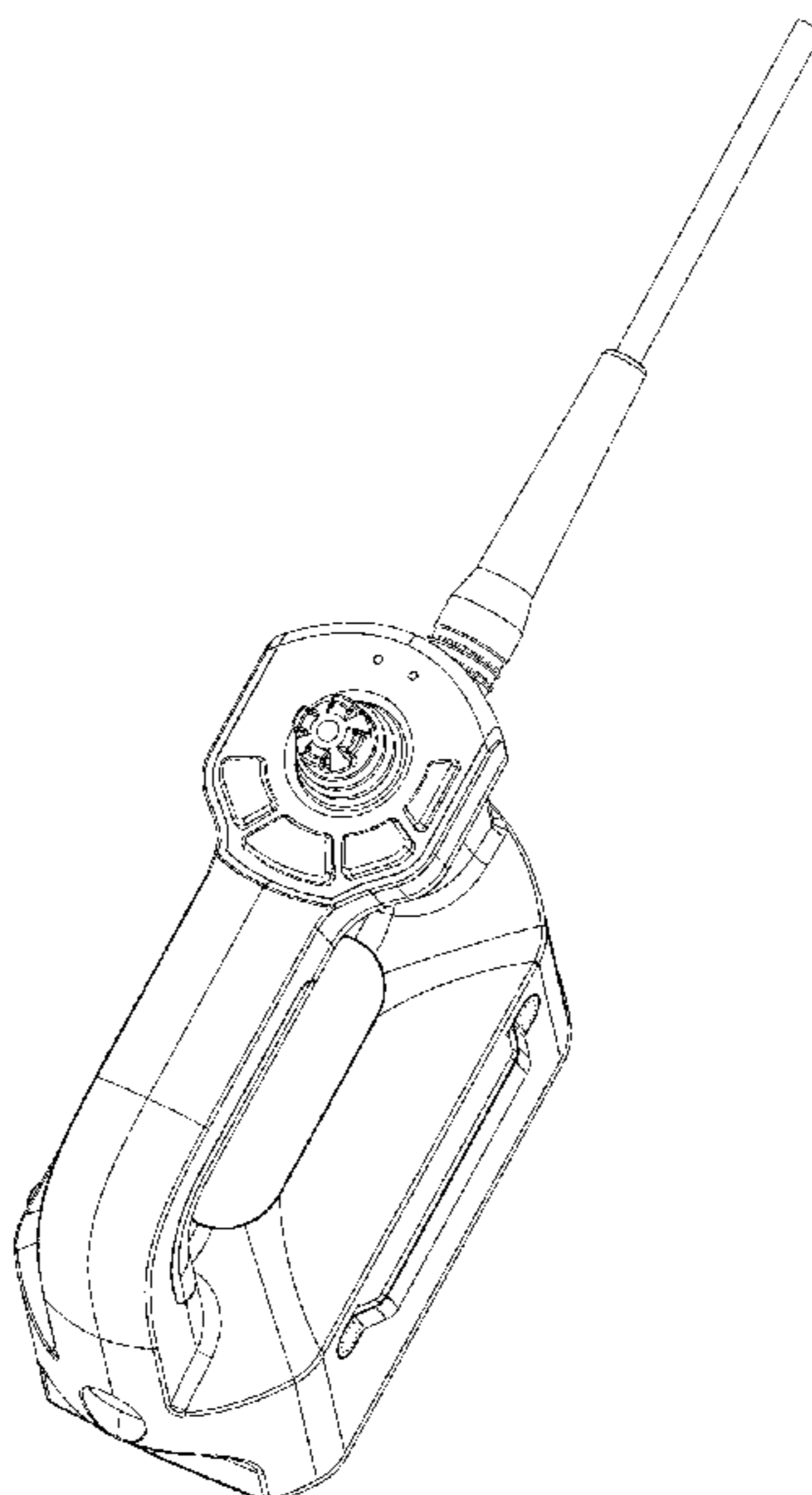


FIG. 1

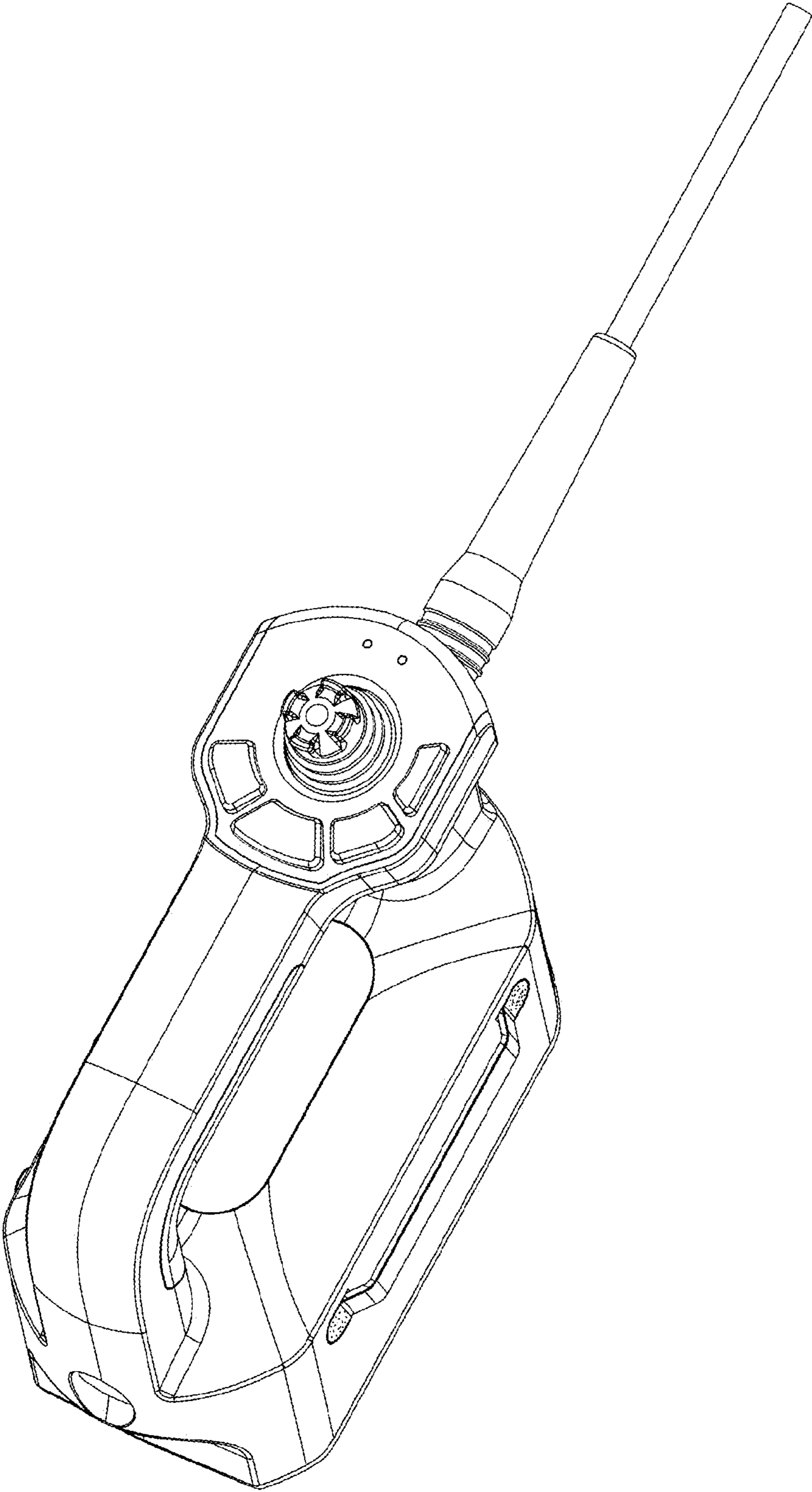


FIG.2

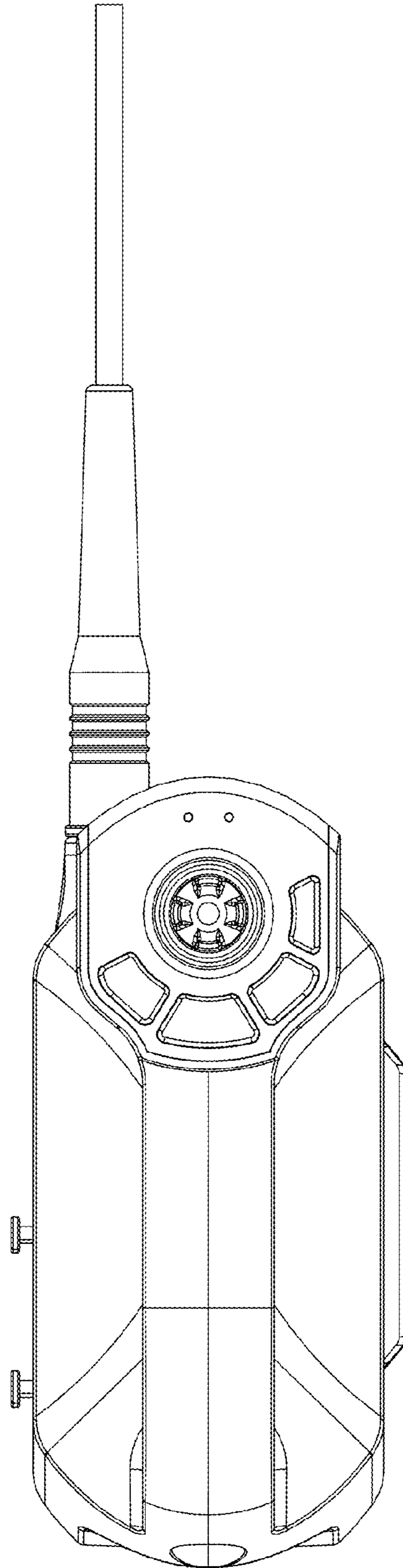


FIG.3

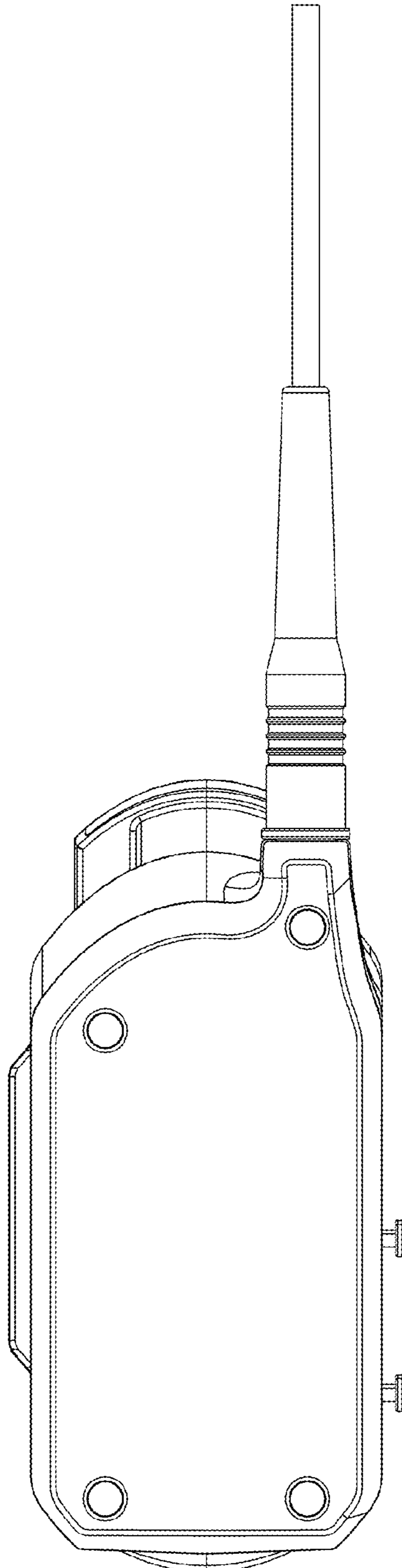


FIG.4

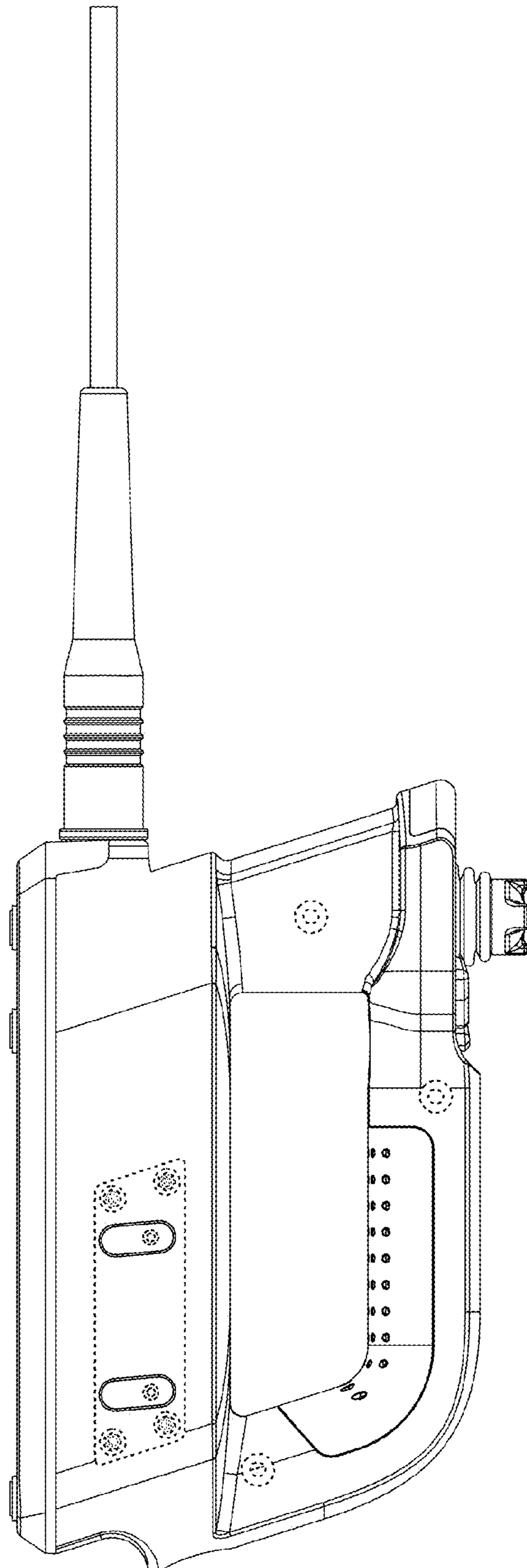


FIG.5

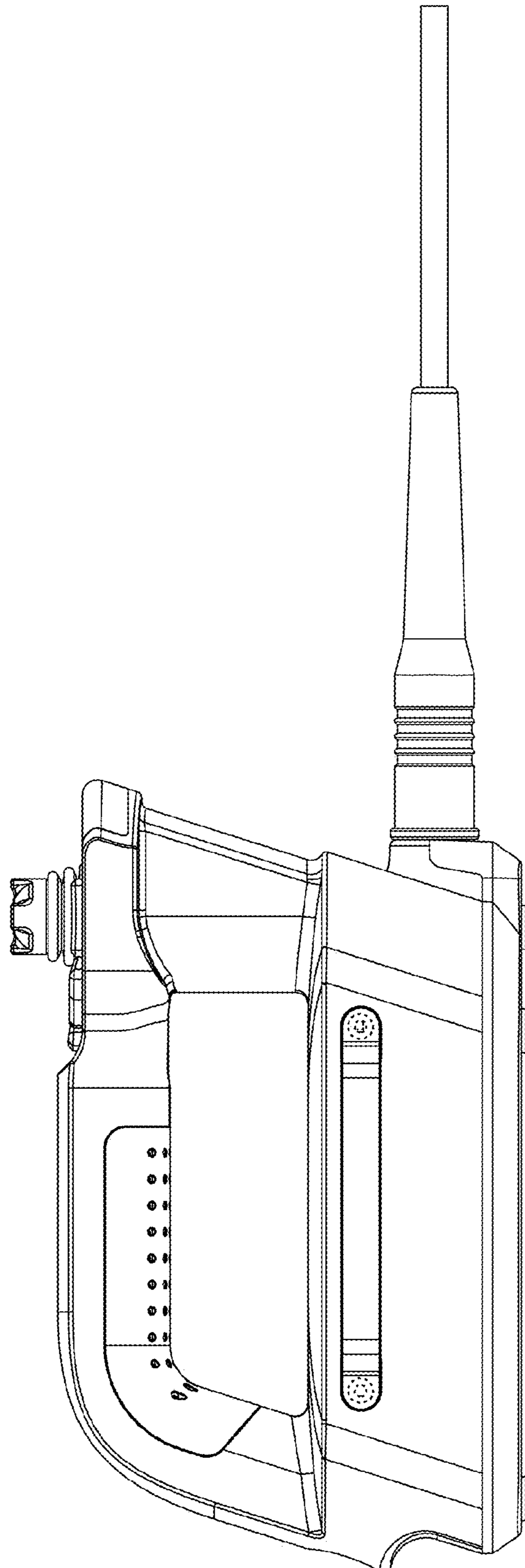


FIG. 6

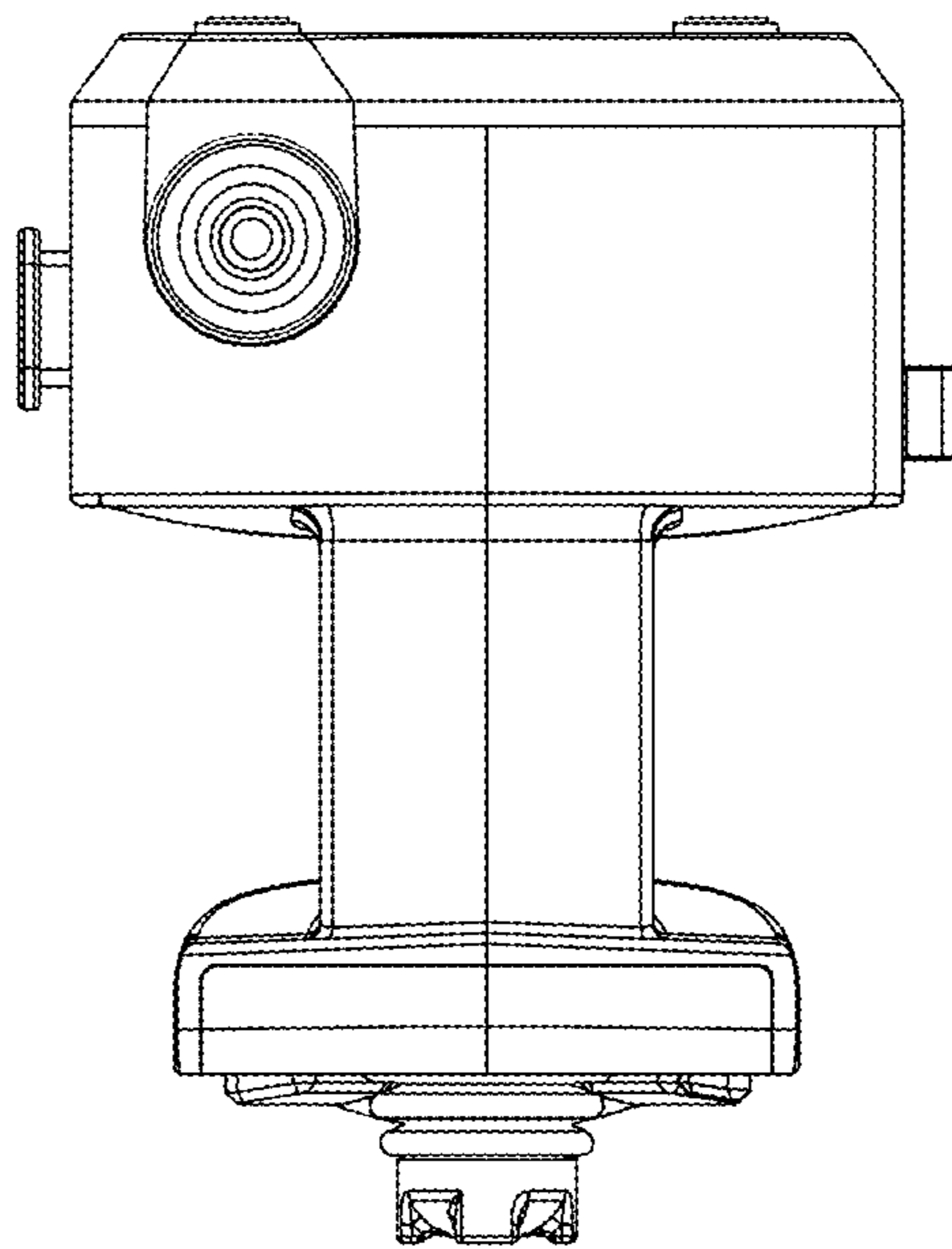


FIG.7

