



US00D912247S

(12) **United States Design Patent**
Rees et al.

(10) **Patent No.:** **US D912,247 S**
(45) **Date of Patent:** **** Mar. 2, 2021**

(54) **CONNECTION CAP DEVICE**

(71) Applicant: **DWK Life Sciences GmbH,**
Wertheim/Main (DE)

(72) Inventors: **Alistair Rees,** Mainz (DE); **Matthias Schneider,** Heidesheim (DE)

(73) Assignee: **DWK Life Sciences GmbH,**
Wertheim/Main (DE)

(**) Term: **15 Years**

(21) Appl. No.: **29/669,918**

(22) Filed: **Nov. 13, 2018**

(30) **Foreign Application Priority Data**

May 17, 2018 (EM) 005270881-0002
May 17, 2018 (EM) 005270881-0006

(51) **LOC (13) Cl.** **24-02**

(52) **U.S. Cl.**
USPC **D24/129**

(58) **Field of Classification Search**
USPC D24/127-131, 112-114, 133, 186;
606/181, 185; 604/264, 523-528, 272,
604/187, 158, 164.01-164.11, 181, 184,
604/227; 600/101, 139, 143;
128/200.24, 207.14, 207.15
CPC A61M 25/00; A61M 39/00; A61M 27/00;
A61M 25/0043; A61M 25/0067; A61M
25/0097; A61F 2/958
See application file for complete search history.

(56) **References Cited**

U.S. PATENT DOCUMENTS

D445,182 S * 7/2001 Haynes D24/129
D589,142 S * 3/2009 Guerrero D24/108

8,322,334 B2 * 12/2012 Lee A61M 16/12
128/200.21
D678,502 S * 3/2013 Schmidt D24/108
D678,521 S * 3/2013 Mort D24/110.6
8,418,690 B2 * 4/2013 Power A61M 11/005
128/203.15
D756,512 S * 5/2016 Oberlaender D24/133
D809,122 S * 1/2018 Topaz D24/108
D818,116 S * 5/2018 Teufel D24/112
D820,996 S * 6/2018 Knaus C12M 23/08
D24/224
D828,550 S * 9/2018 Falleboe D24/129
D840,534 S * 2/2019 Mozzicato D24/121
2013/0204082 A1 * 8/2013 Fischer, Jr. A61M 16/0463
600/104

* cited by examiner

Primary Examiner — Nathan M Johnston

(74) *Attorney, Agent, or Firm* — Hodgson Russ LLP

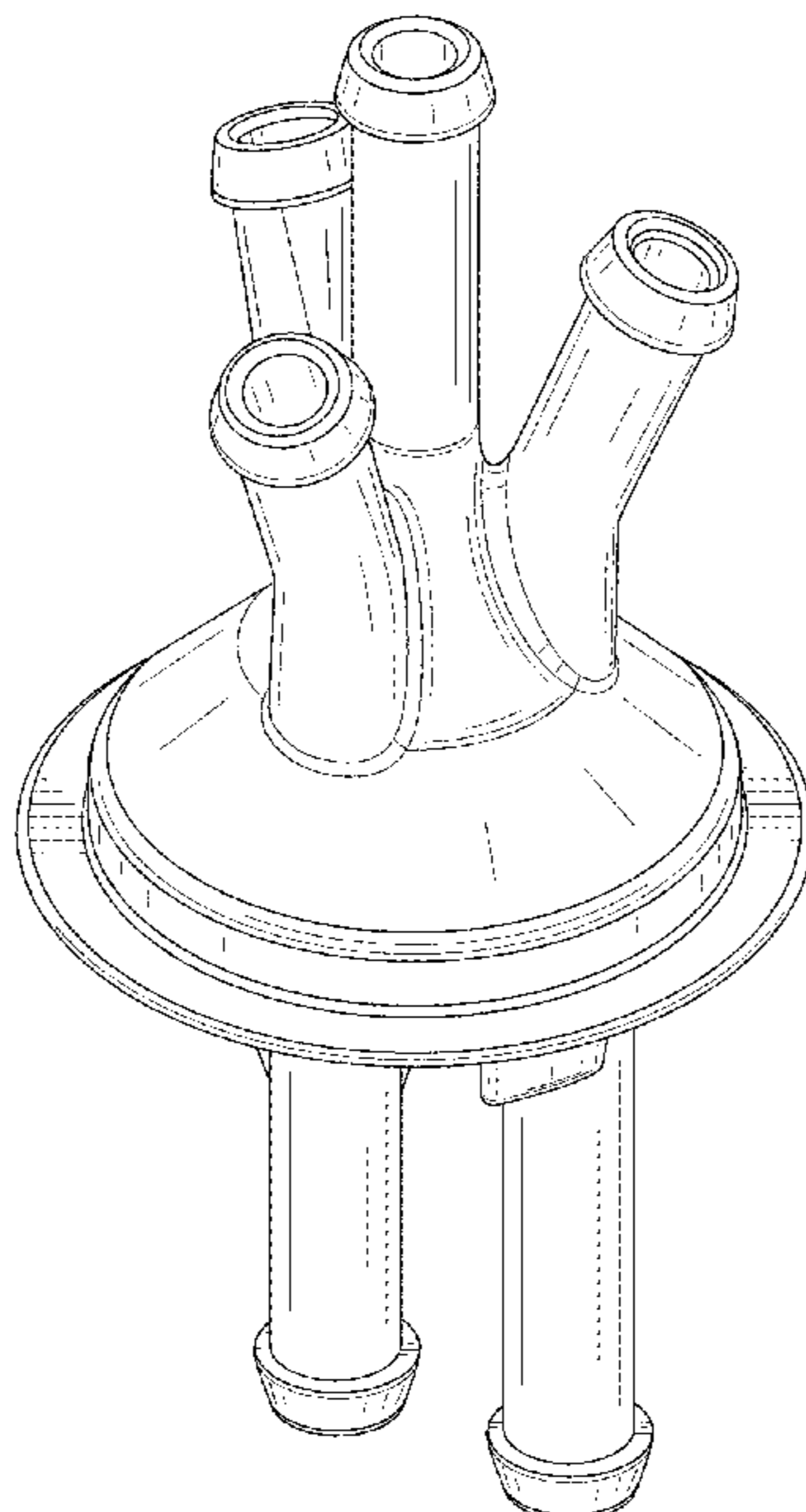
(57) **CLAIM**

The ornamental design for a connection cap device, as shown and described.

DESCRIPTION

FIG. 1 is a perspective view of a connection cap device embodying our design;
FIG. 2 is a front elevation view thereof;
FIG. 3 is a rear elevation view thereof;
FIG. 4 is a left side elevation view thereof;
FIG. 5 is a right side elevation view thereof;
FIG. 6 is a top plan view thereof; and,
FIG. 7 is a bottom plan view thereof.
The broken lines illustrate unclaimed portions of the connection cap device that form no part of the claimed design.

1 Claim, 7 Drawing Sheets



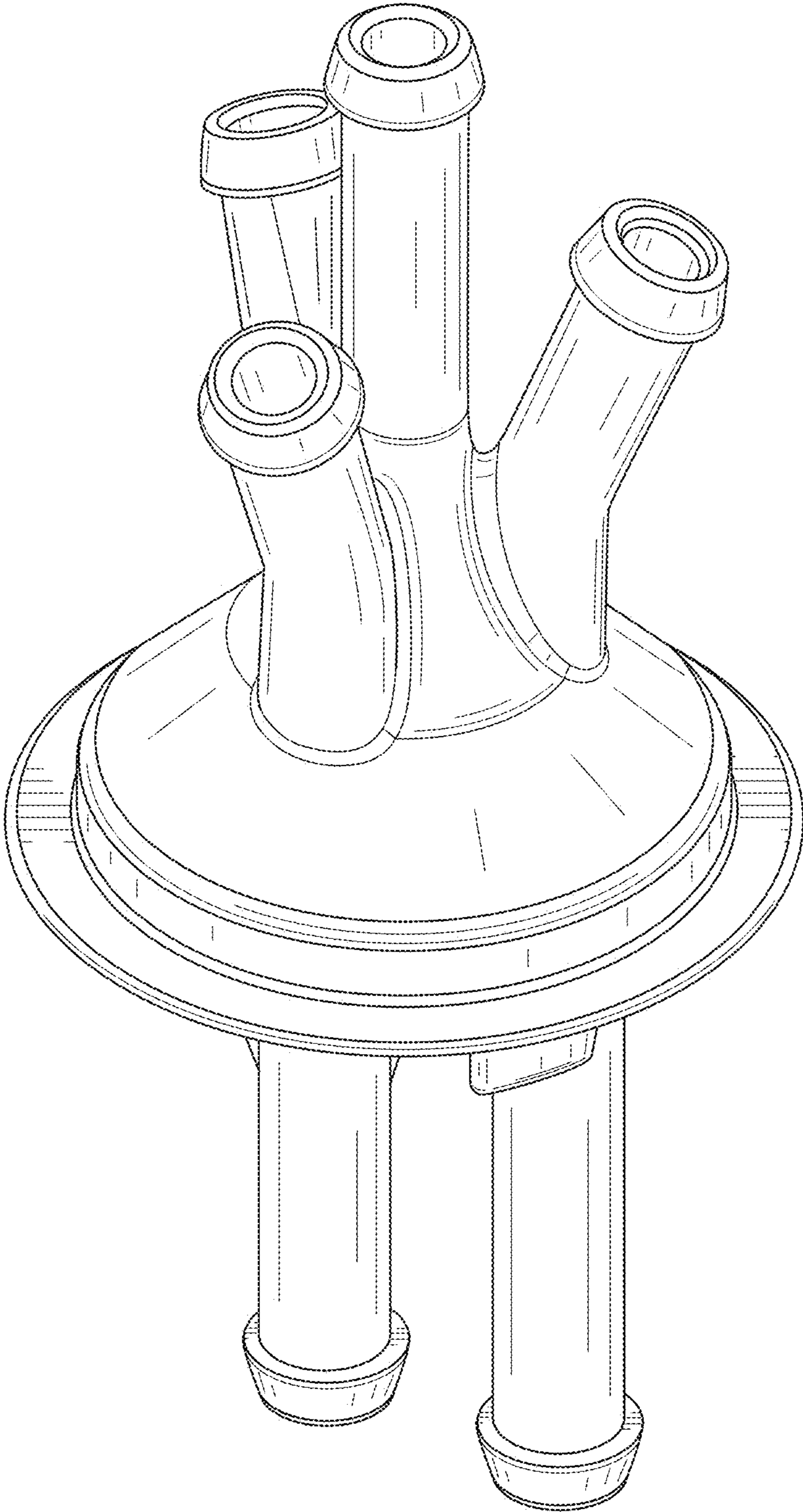


FIG. 1

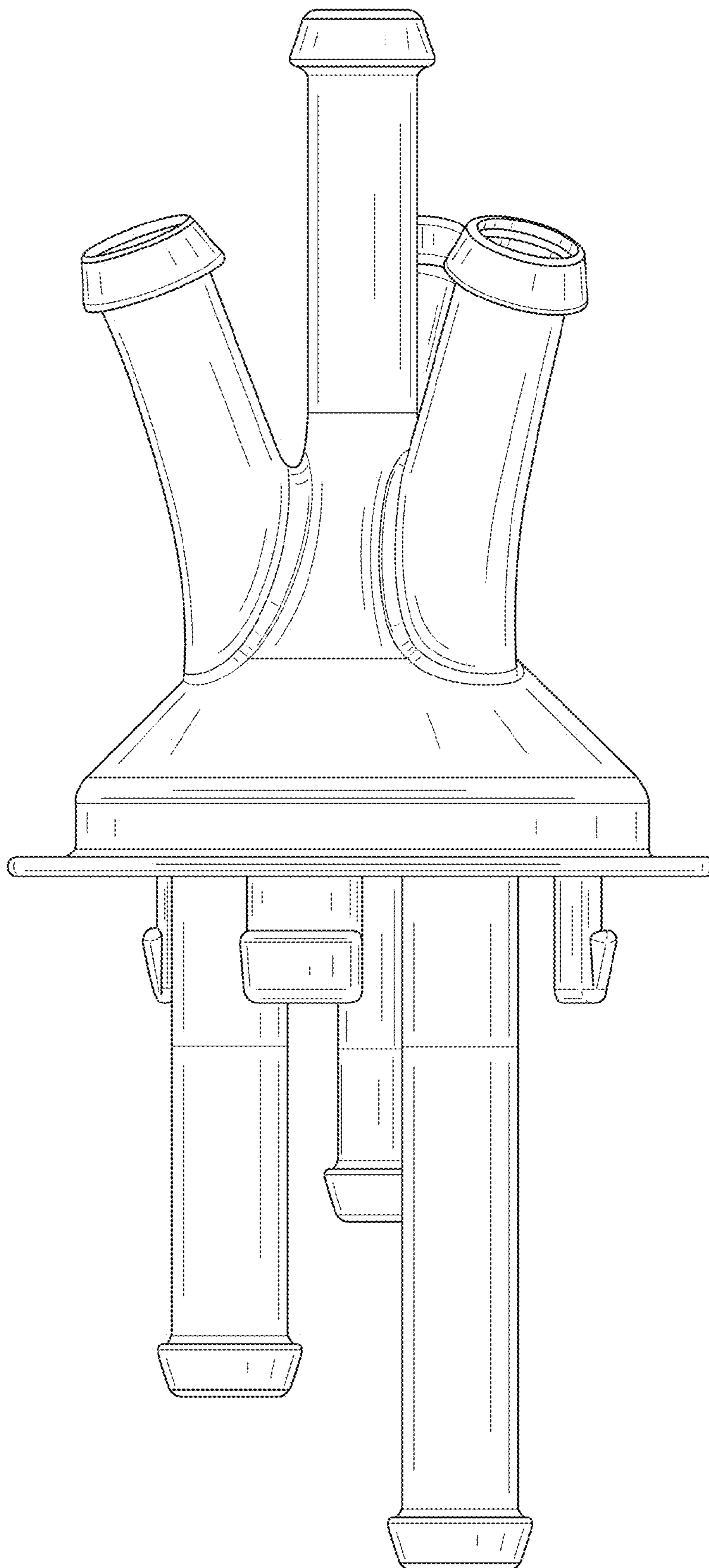


FIG. 2

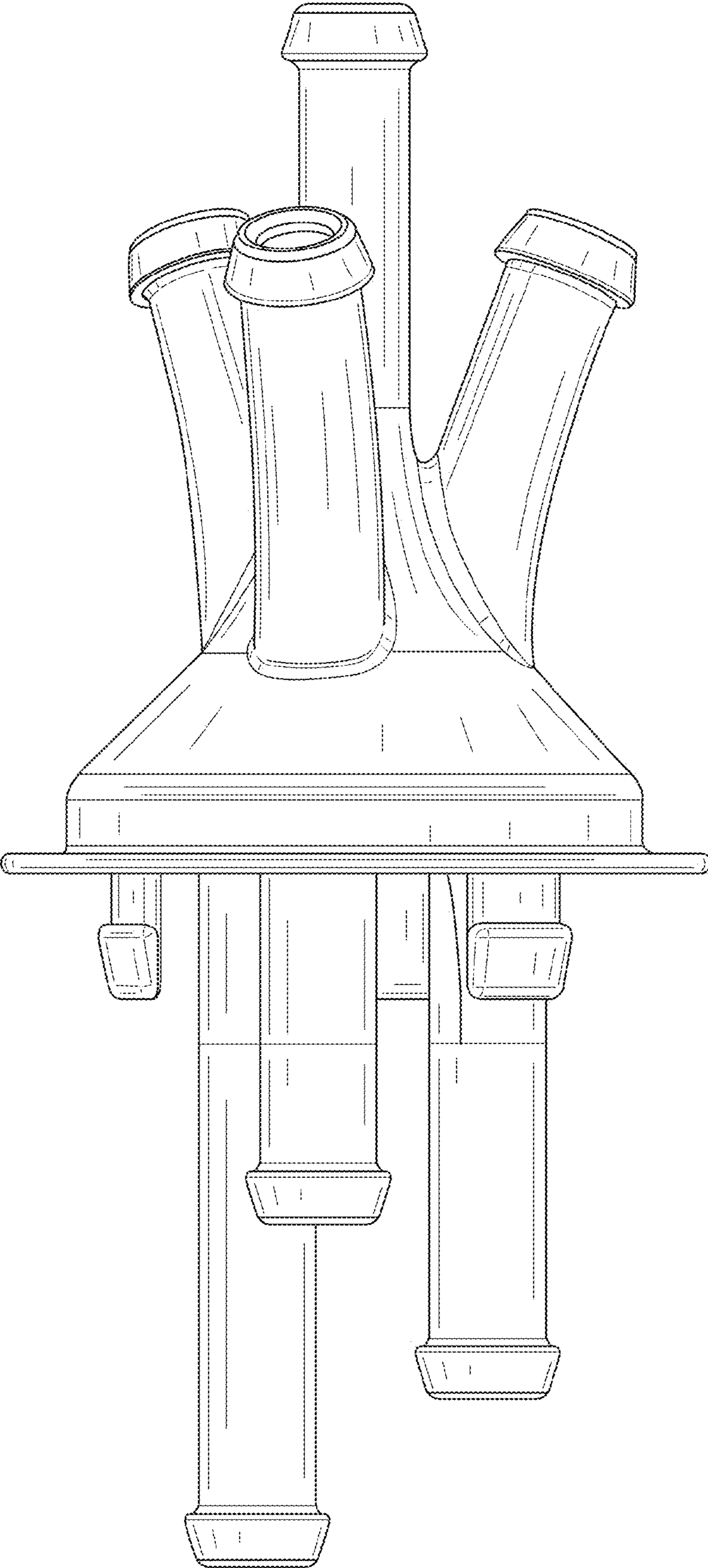


FIG. 3

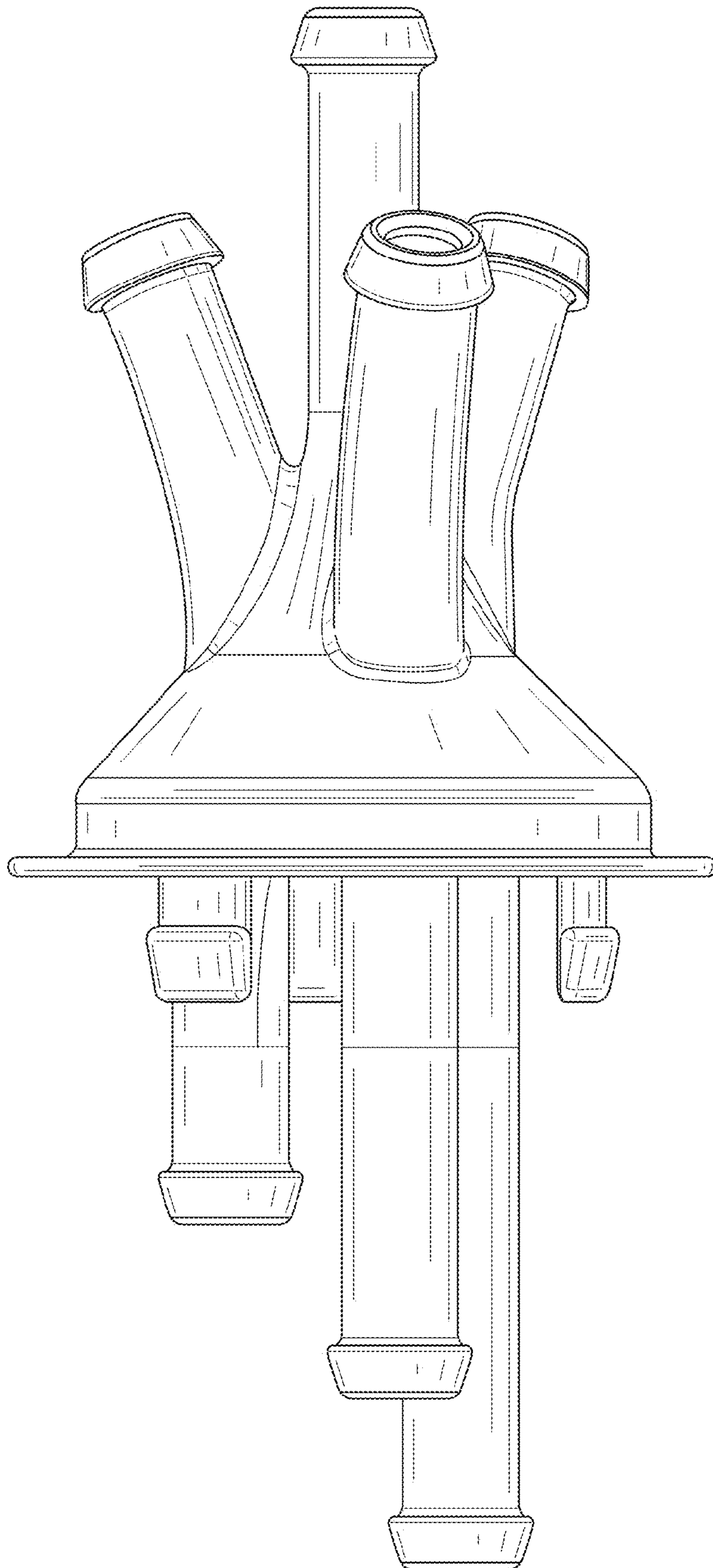


FIG. 4

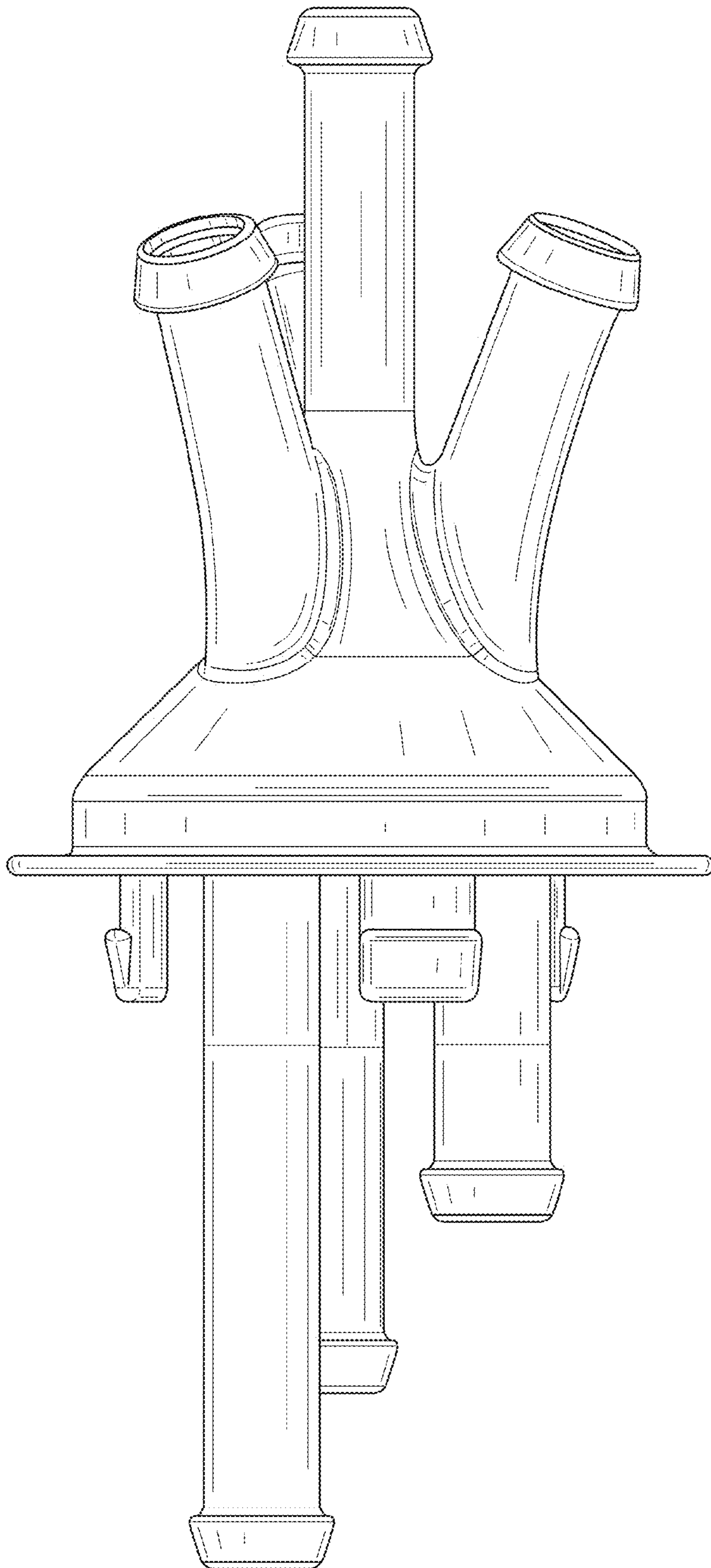


FIG. 5

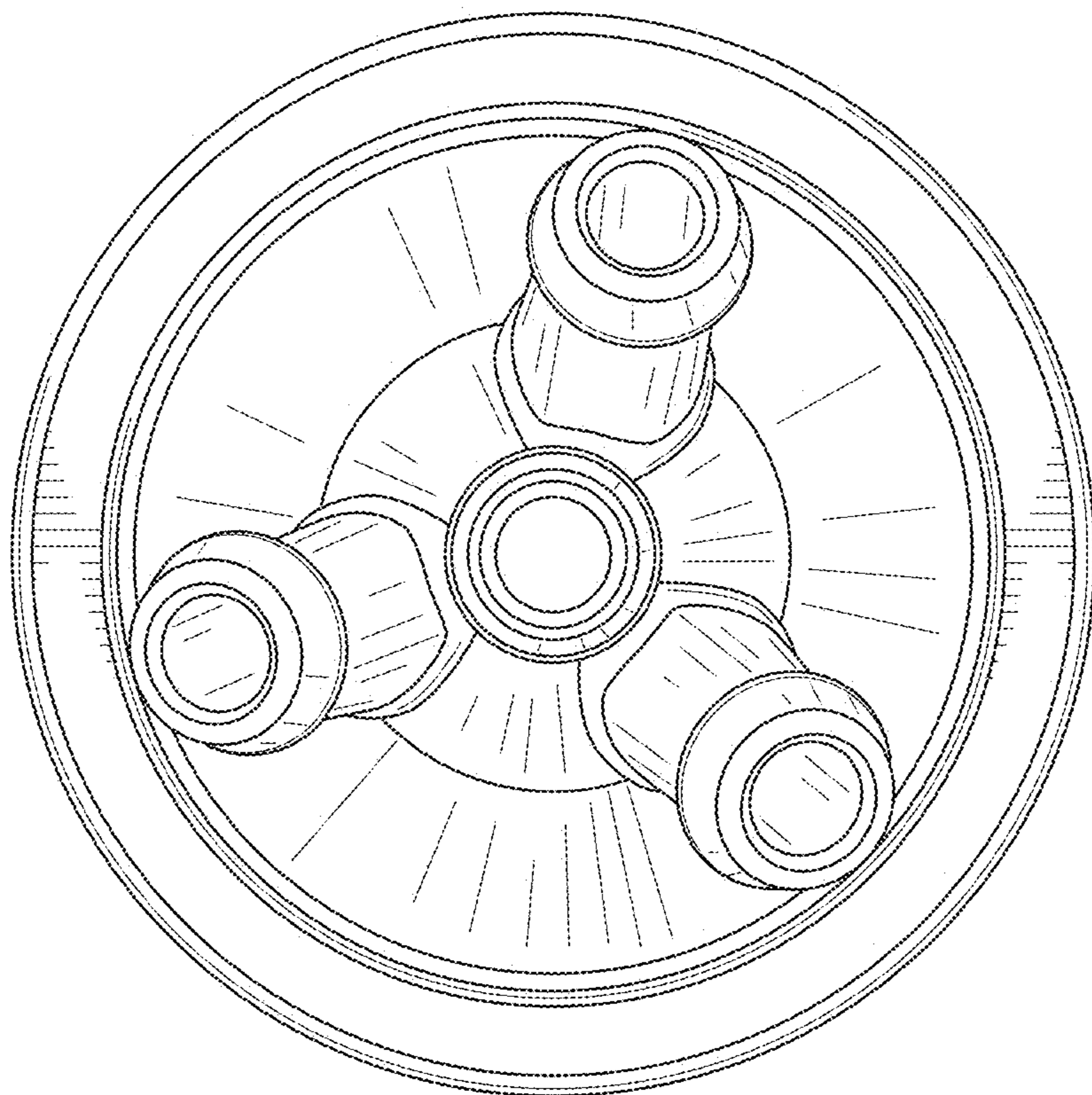


FIG. 6

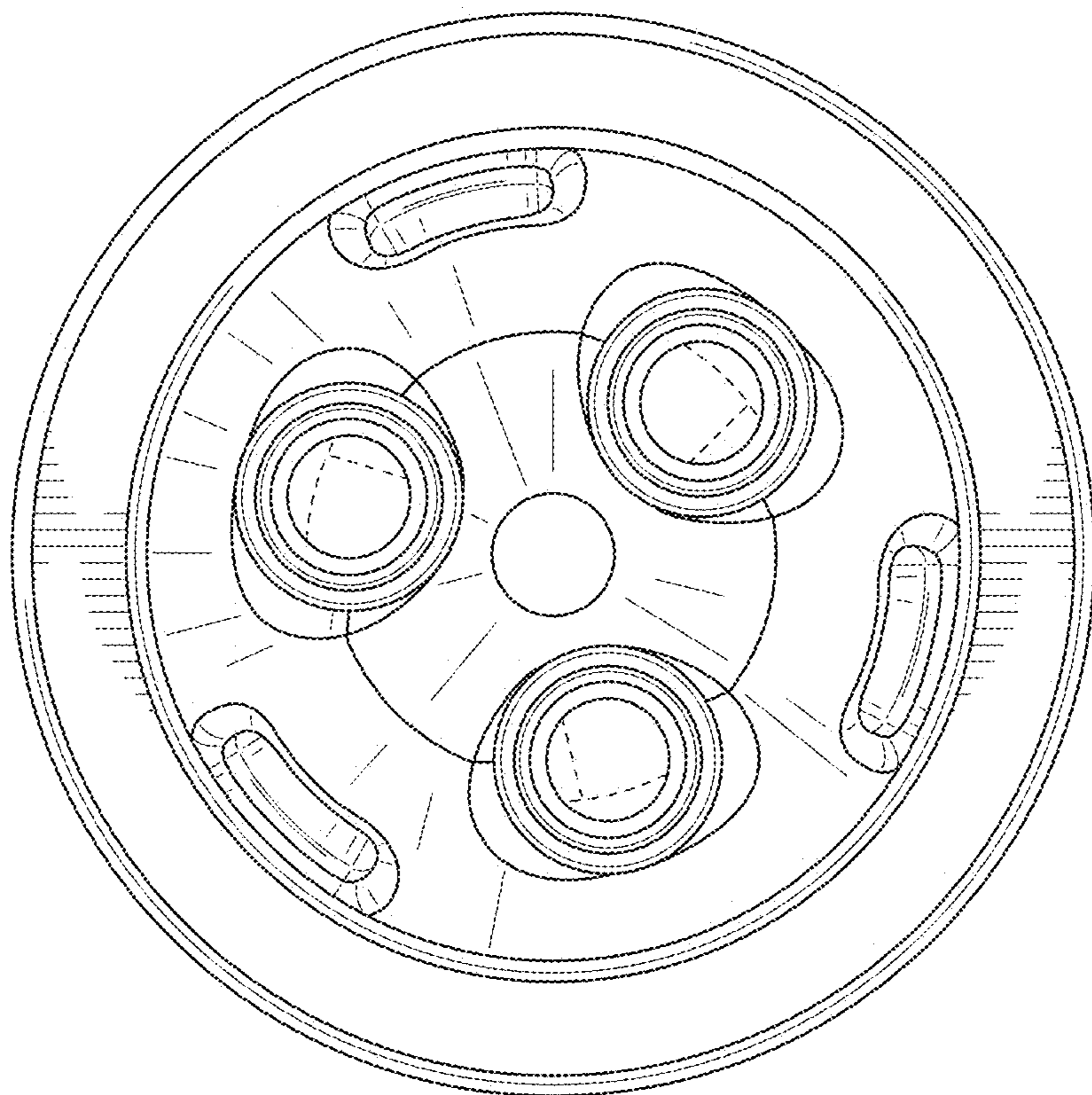


FIG. 7