



US00D912244S

(12) **United States Design Patent** (10) **Patent No.:** **US D912,244 S**
Rehm et al. (45) **Date of Patent:** **** Mar. 2, 2021**

(54) **URINE COLLECTION APPARATUS**
(71) Applicant: **PureWick Corporation**, El Cajon, CA (US)
(72) Inventors: **Eric Rehm**, Lawrenceville, GA (US); **Abigail Wilms**, Atlanta, GA (US); **Chris Justice**, Leawood, KS (US); **Ryan Zumbach**, Kansas City, MO (US); **Cuong Nguyen**, Kansas City, MO (US); **Nicholas Dothage**, Blue Springs, MO (US); **Anthony Esposito**, Oxford, GA (US); **Brian Hatesohl**, Leawood, KS (US); **Jane Newsham**, Kansas City, MO (US); **Stephen Nyberg**, Overland Park, KS (US); **David Steele**, Olathe, KS (US); **John Sangiorgio**, Athens, GA (US); **Yendia Williams**, Decatur, GA (US); **Michael Zohil**, Loganville, GA (US)

D323,116 S 1/1992 Dart et al.
D339,524 S 9/1993 Morris
D356,034 S 3/1995 Sugrue
D359,687 S 6/1995 Arshinoff
D373,928 S 9/1996 Green
D400,005 S 10/1998 Wolff
D437,929 S * 2/2001 Leonhard D24/108
6,244,311 B1 6/2001 Hand et al.
D449,884 S * 10/2001 Tobin D24/111
D495,182 S * 8/2004 Vitantonio D6/551
D525,467 S * 7/2006 Michelson D6/524
D545,425 S * 6/2007 Chang Chien D24/108

(Continued)

OTHER PUBLICATIONS

Purewick website, BD purewick urine collection system, May 26, 2020, <https://www.purewickathome.com/> (Year: 2020).*

(Continued)

Primary Examiner — Nathan M Johnston
(74) *Attorney, Agent, or Firm* — Dorsey & Whitney LLP

(73) Assignee: **PUREWICK CORPORATION**, El Cajon, CA (US)

(**) Term: **15 Years**

(21) Appl. No.: **29/693,169**

(22) Filed: **May 31, 2019**

(51) **LOC (13) Cl.** **24-04**

(52) **U.S. Cl.**
USPC **D24/122**

(58) **Field of Classification Search**
USPC D24/121–123, 117, 224; 604/329, 317, 604/318, 334; 600/573, 574; 4/450–460, 4/144.1–144.4, DIG. 5
CPC A61G 9/006; A61G 9/003
See application file for complete search history.

(56) **References Cited**

U.S. PATENT DOCUMENTS

3,855,997 A 12/1974 Sauer
4,388,922 A 6/1983 Telang

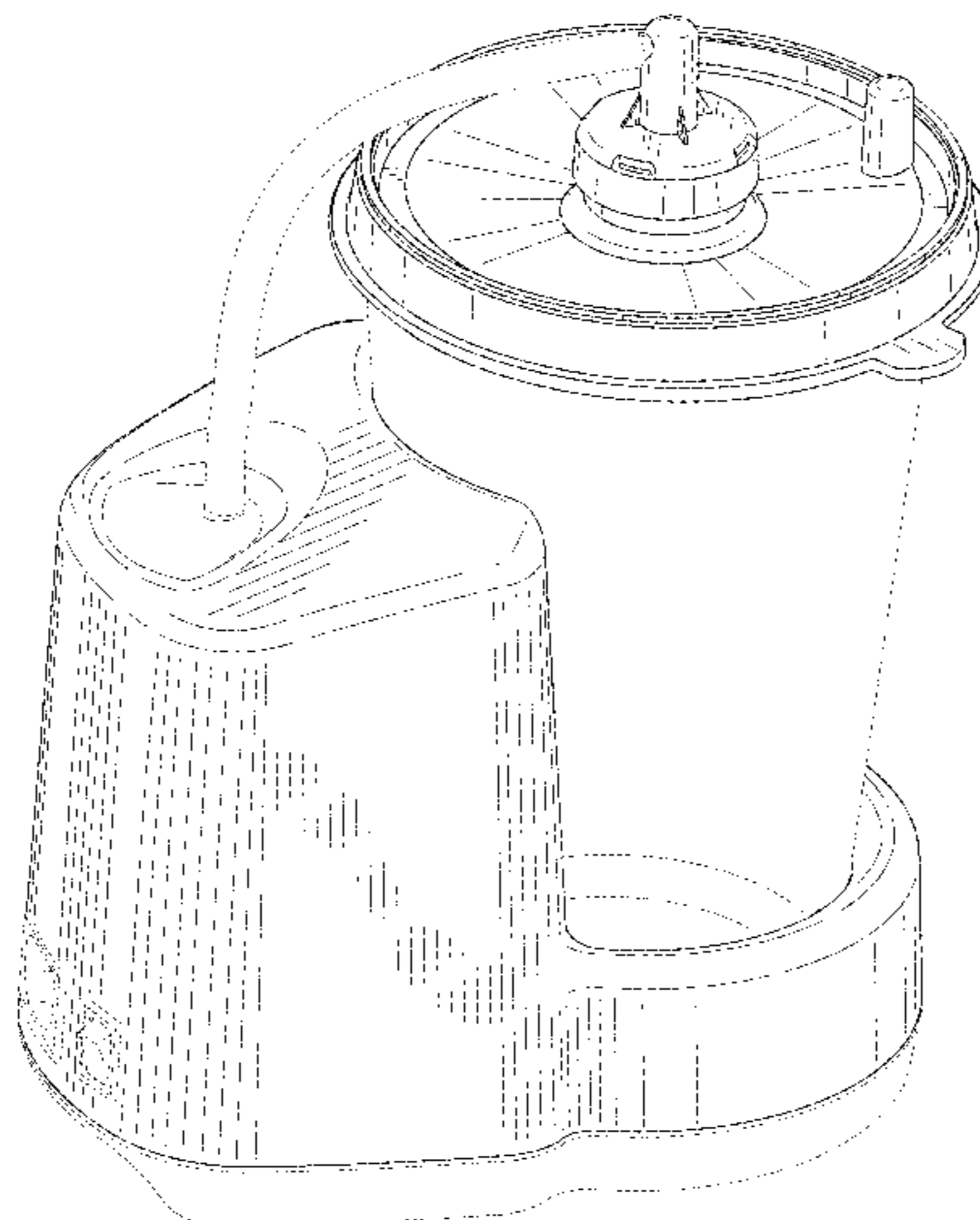
(57) **CLAIM**

The ornamental design for a urine collection apparatus, as shown and described.

DESCRIPTION

FIG. 1 is a front, top, perspective view of a urine collection apparatus, according to a new design; FIG. 2 is a rear elevational view thereof; FIG. 3 is a front elevational view thereof; FIG. 4 is a right side elevational view thereof; FIG. 5 is a left side elevational view thereof; FIG. 6 is a top plan view thereof; and, FIG. 7 is a bottom plan view thereof. The broken lines shown in the drawings depict portions of the urine collection apparatus that form no part of the claimed design.

1 Claim, 7 Drawing Sheets



(56)

References Cited

U.S. PATENT DOCUMENTS

D582,767	S	12/2008	Batton et al.	
7,955,318	B1	6/2011	Schultz et al.	
8,167,857	B2	5/2012	James	
8,172,832	B1	5/2012	Gonzalez	
D674,241	S	1/2013	Bickert et al.	
D688,488	S *	8/2013	Wang	D6/524
D690,826	S	10/2013	Kuroda et al.	
D700,513	S	3/2014	Carsrud et al.	
D717,066	S *	11/2014	Deacon	D6/524
9,730,564	B2 *	8/2017	Butts	A47G 29/08
D809,650	S *	2/2018	Kim	D24/111
D832,419	S *	10/2018	Porter	D24/111
D833,000	S *	11/2018	Porter	D24/111
D833,601	S *	11/2018	Massie	D24/111
D833,602	S *	11/2018	Massie	D24/111
D835,779	S	12/2018	Mozzicato et al.	
D837,976	S	1/2019	Kaye et al.	
D840,534	S	2/2019	Mozzicato et al.	
D840,801	S	2/2019	Yajko, Jr. et al.	
D846,732	S	4/2019	Axon	
D846,733	S	4/2019	Axon	
D848,612	S	5/2019	Mozzicato et al.	

OTHER PUBLICATIONS

Notice of Allowance for U.S. Appl. No. 29/693,168 dated May 29, 2020.

Restriction Requirement for U.S. Appl. No. 29/693,167 dated Jun. 25, 2020.

U.S. Appl. No. 29/693,167 filed May 31, 2019.

U.S. Appl. No. 29/693,168 filed May 31, 2019.

Notice of Allowance for U.S. Appl. No. 29/693,167 dated Nov. 17, 2020.

* cited by examiner

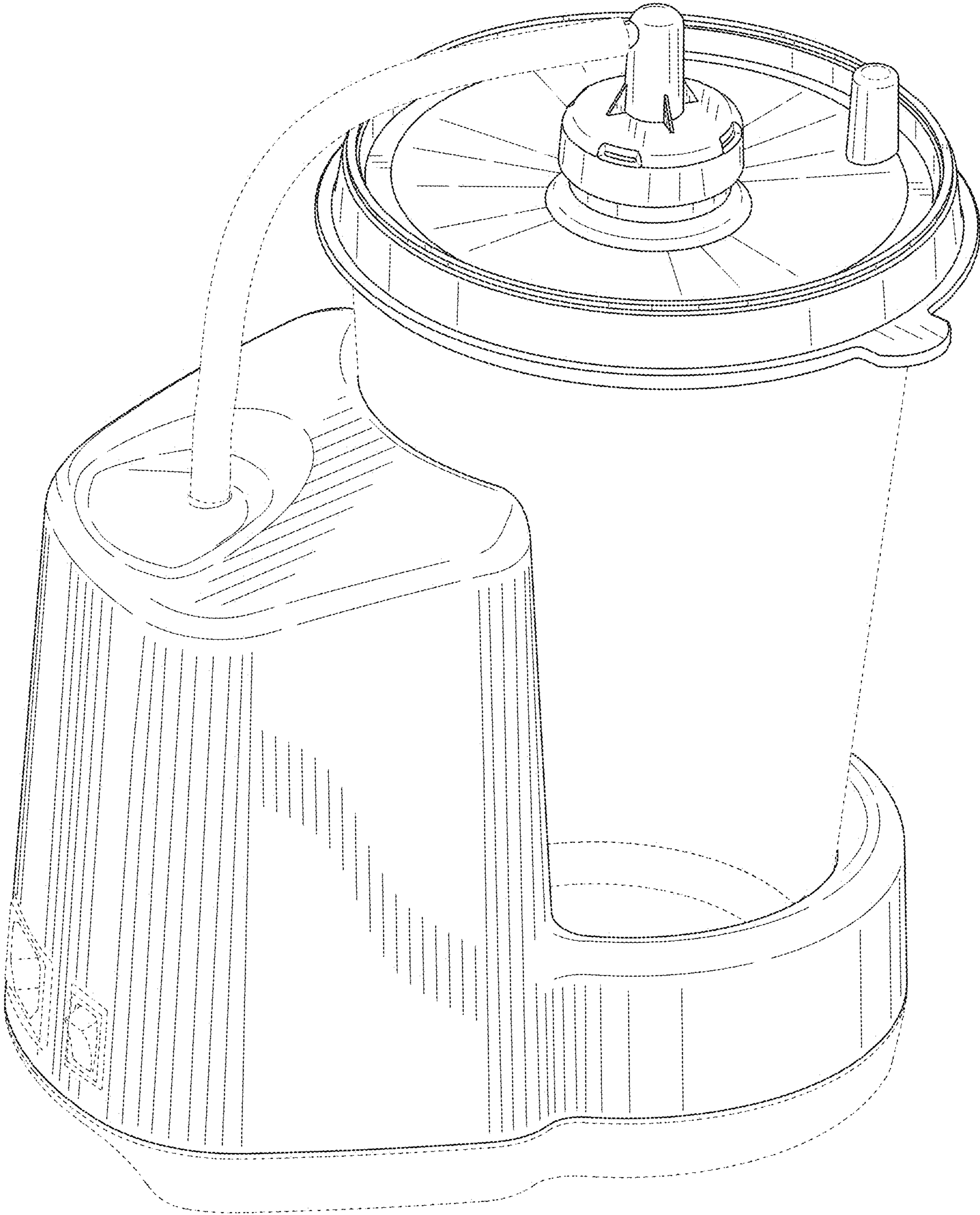


FIG. 1

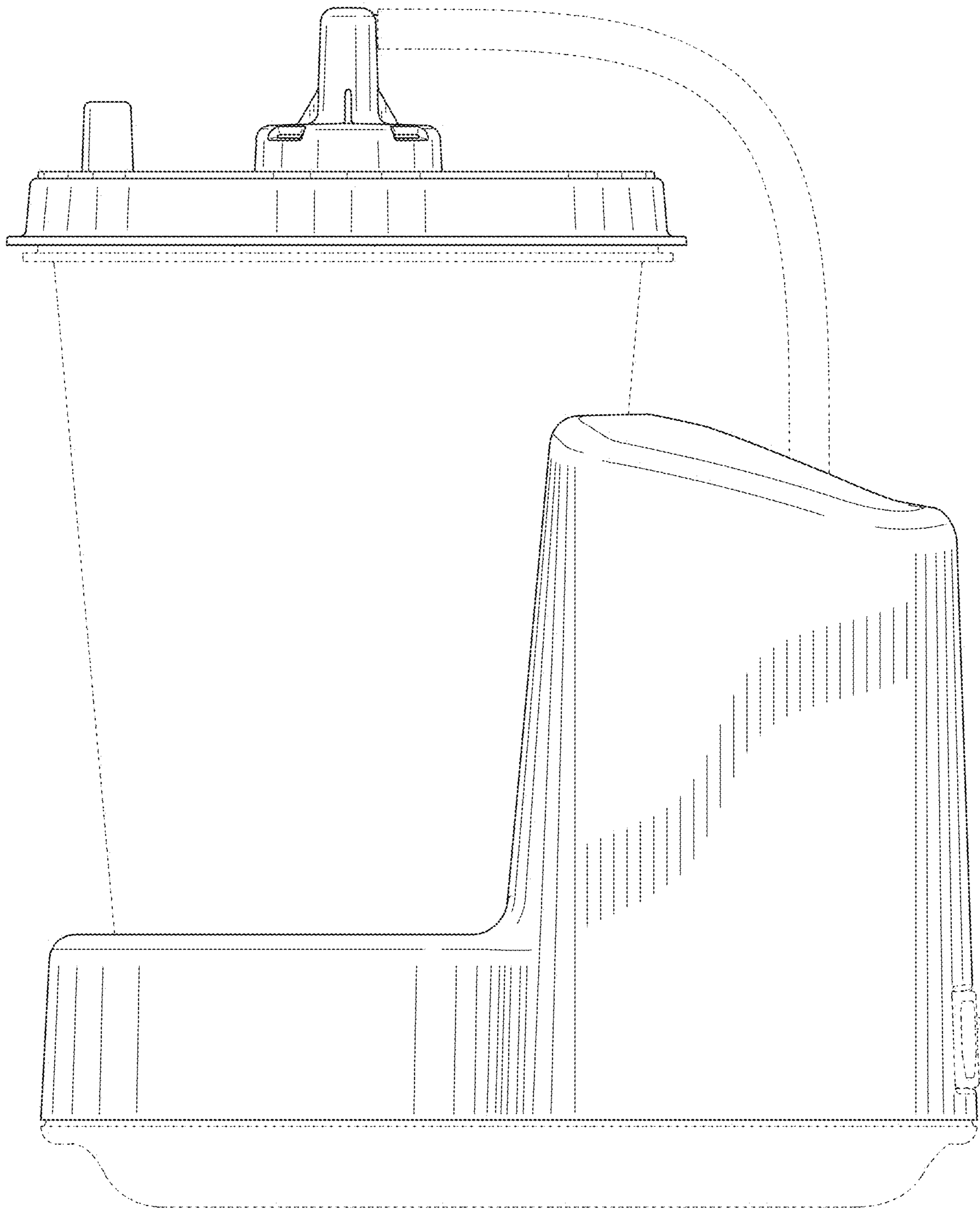


FIG. 2

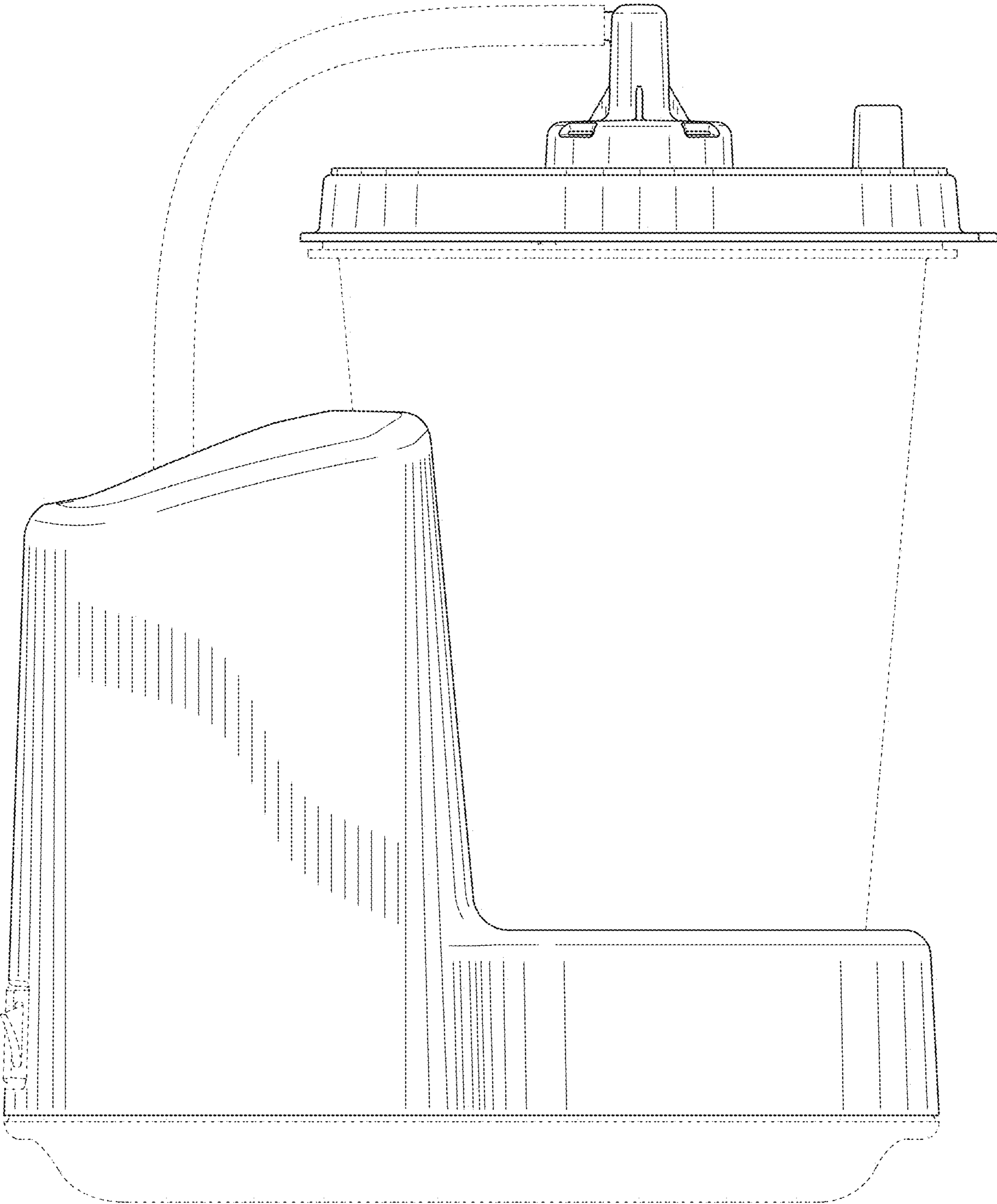


FIG. 3

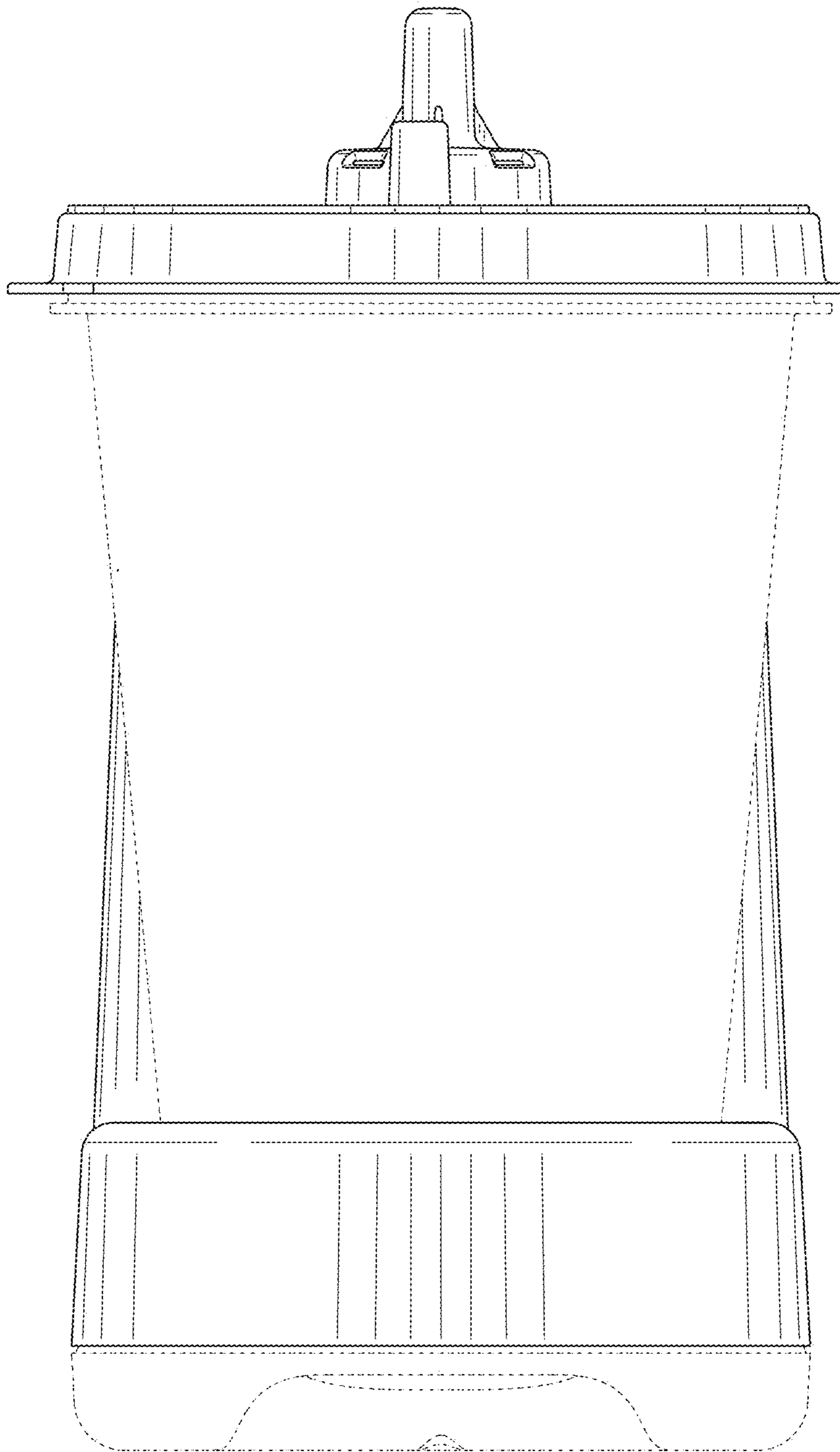


FIG. 4

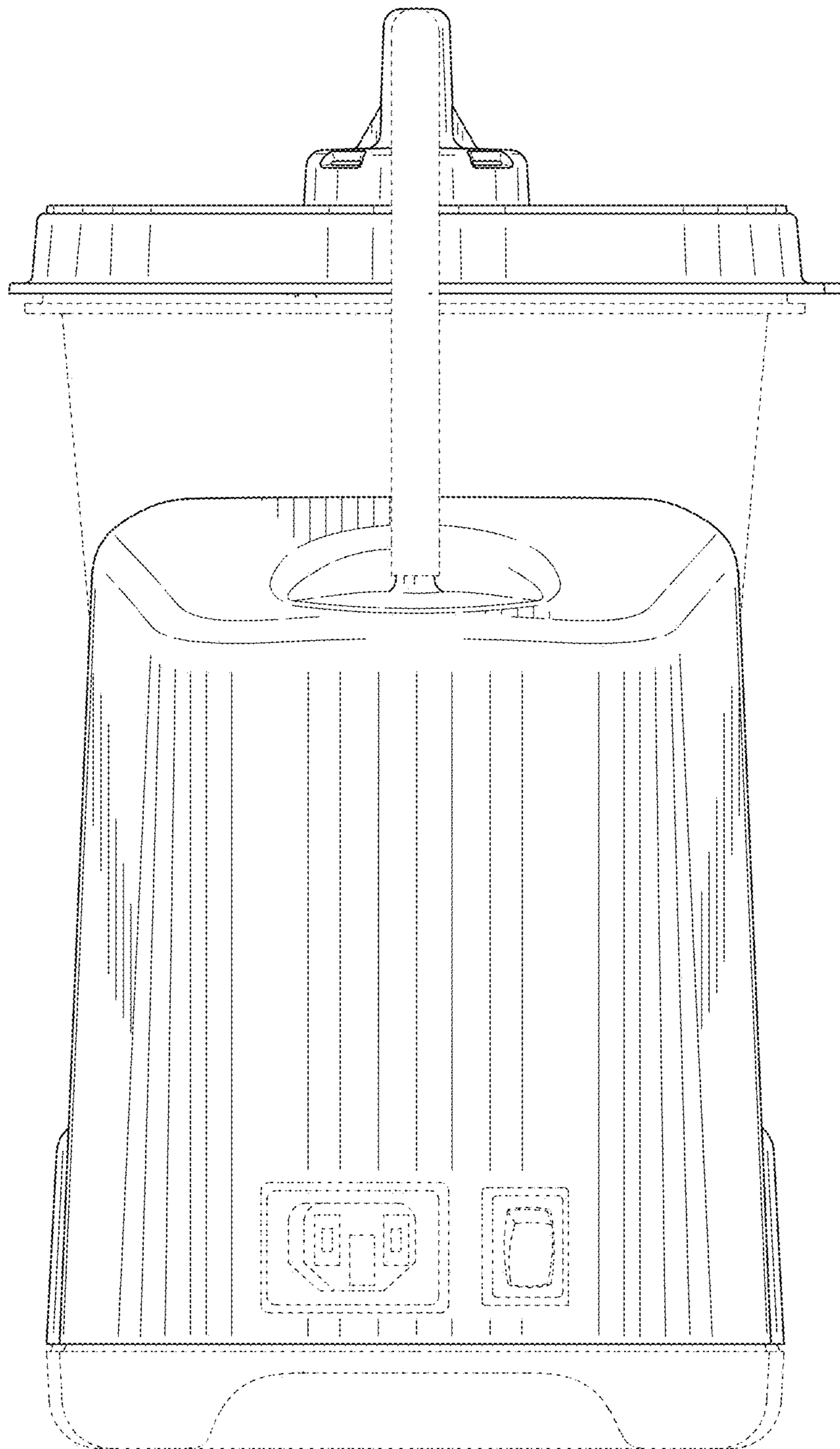


FIG. 5

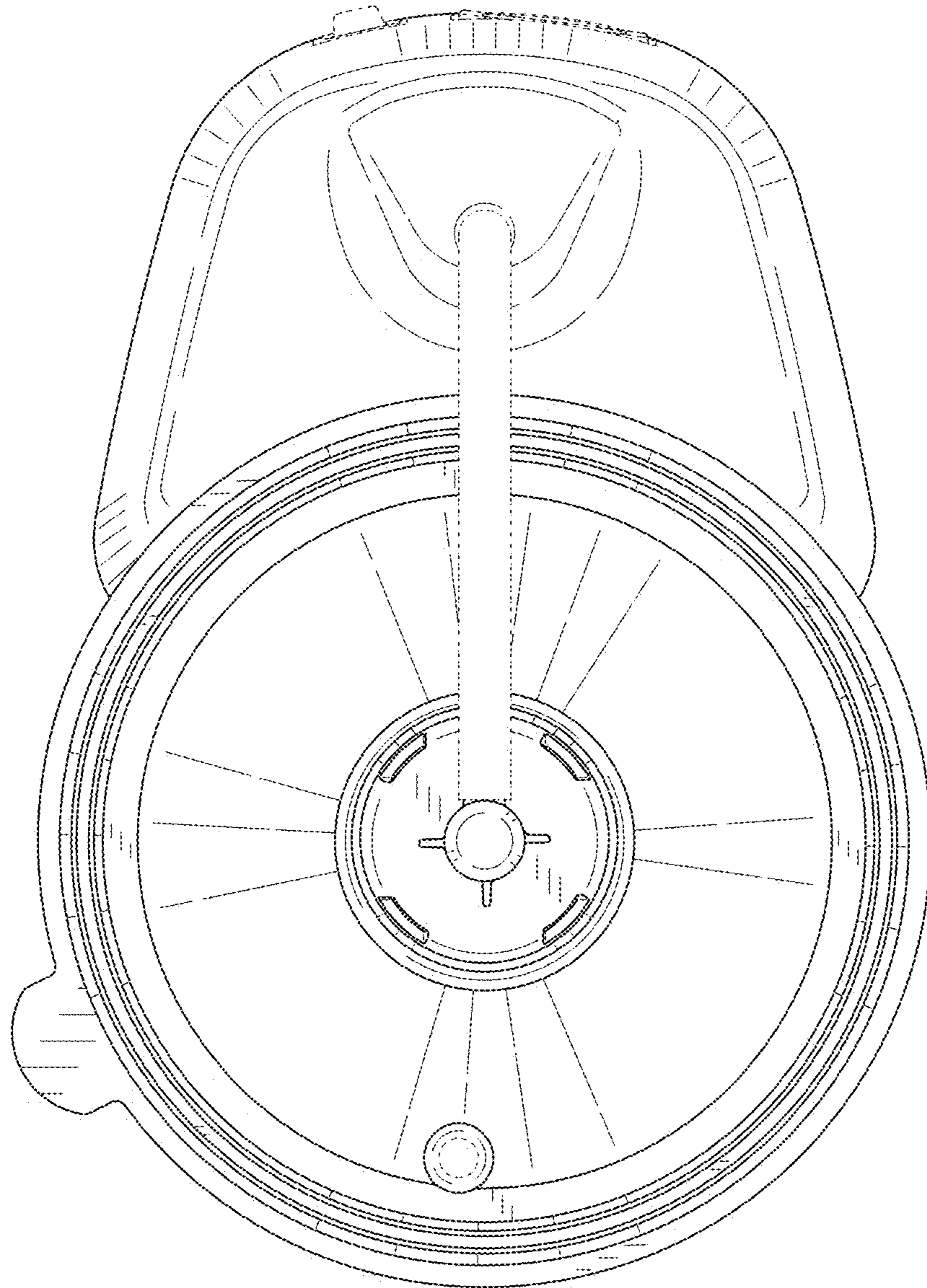


FIG. 6

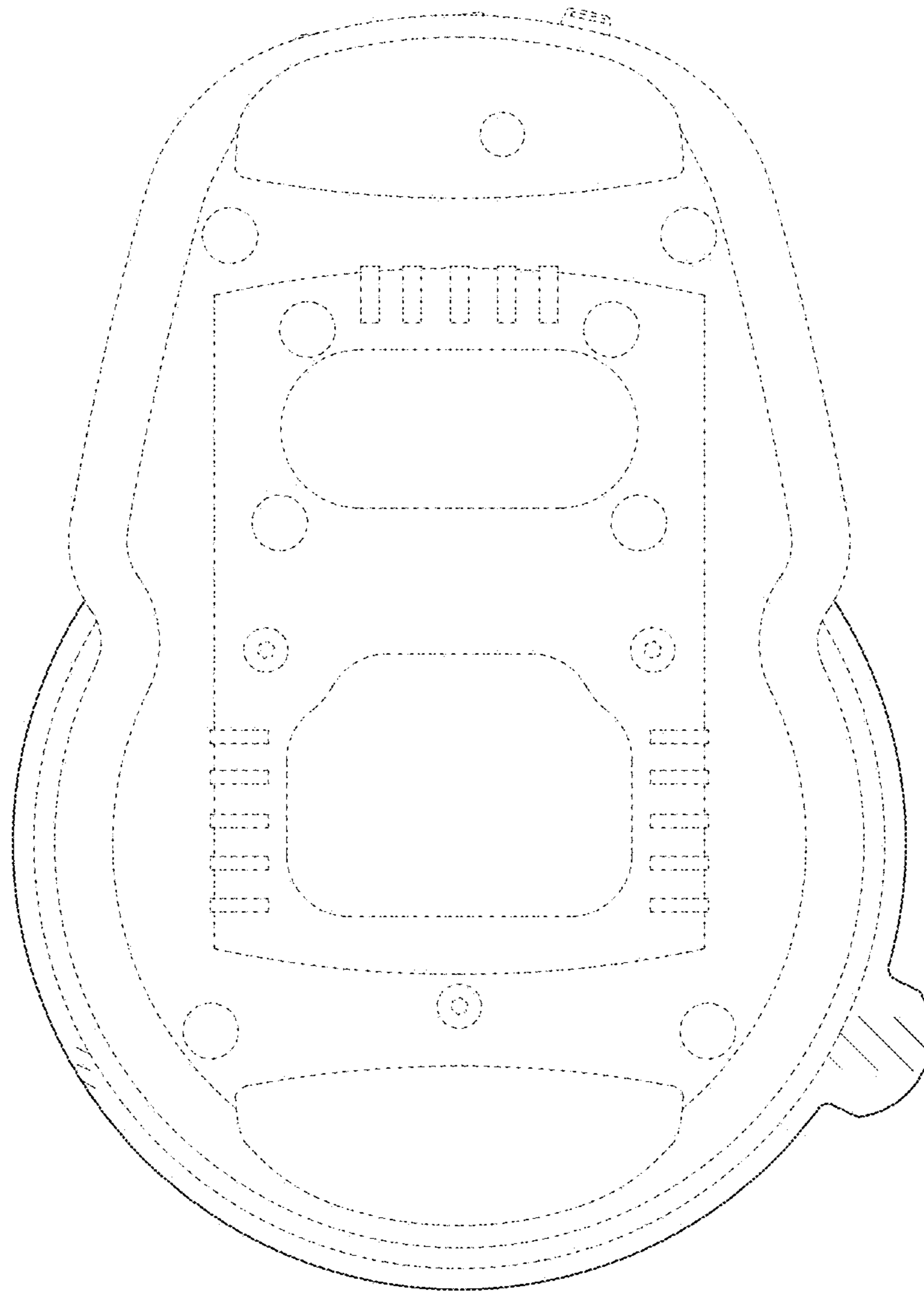


FIG. 7