

US00D912239S

(12) **United States Design Patent** (10) **Patent No.:** **US D912,239 S**
Dube et al. (45) **Date of Patent:** **** Mar. 2, 2021**

(54) **MASK**
(71) Applicants: **Blake Dube**, Pittsburgh, PA (US);
Mark Spitz, Pittsburgh, PA (US); **Rob Miller**, Denver, CO (US)

D284,692 S * 7/1986 Pohlmann D28/9
4,955,372 A 9/1990 Blackmer et al.
D339,416 S * 9/1993 Maher D24/110
D356,153 S * 3/1995 Peterhans D24/110
5,765,553 A * 6/1998 Richards A61M 16/06
128/200.14

(72) Inventors: **Blake Dube**, Pittsburgh, PA (US);
Mark Spitz, Pittsburgh, PA (US); **Rob Miller**, Denver, CO (US)

(Continued)

(73) Assignee: **Aeronics, Inc.**, Pittsburgh, PA (US)

FOREIGN PATENT DOCUMENTS

(**) Term: **15 Years**

WO 2005054742 6/2005
WO 2008064293 5/2008
WO 2018019717 2/2018

(21) Appl. No.: **29/644,224**

Primary Examiner — Lilyana Bekic

(22) Filed: **Apr. 16, 2018**

(74) *Attorney, Agent, or Firm* — Dentons Cohen & Grigsby P.C.

(51) **LOC (13) Cl.** **29-02**

(57) **CLAIM**

(52) **U.S. Cl.**
USPC **D24/110**

An ornamental design for a mask, as shown and described.

(58) **Field of Classification Search**
USPC D24/110, 110.1, 110.4, 164; D29/108,
D29/129; D9/448
CPC A61M 16/06; A61M 2202/0208; A62B
18/025; A62B 18/02; A62B 7/02; A62B
7/00; A62B 7/06; A62B 9/00; A62B 9/06
See application file for complete search history.

DESCRIPTION

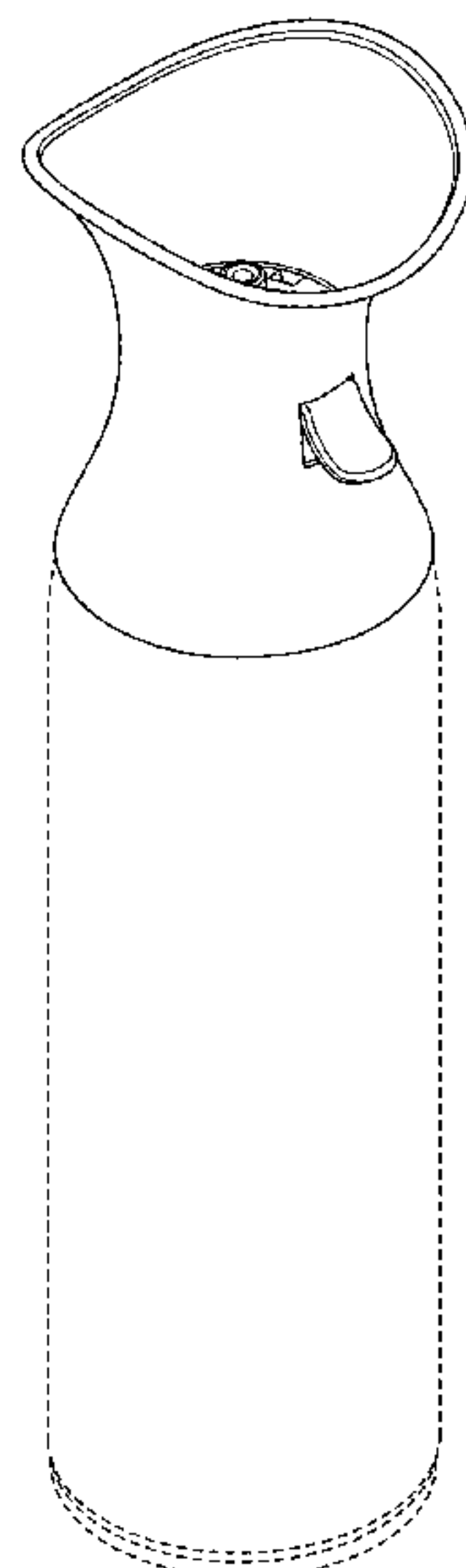
(56) **References Cited**

U.S. PATENT DOCUMENTS

D191,733 S * 11/1961 Schmahl D24/110
D198,487 S * 6/1964 Ferris D24/110
3,314,426 A * 4/1967 Carroll A61H 35/02
128/200.14
3,316,907 A * 5/1967 Goupil A61M 16/12
128/205.25
D209,364 S * 11/1967 Katzman D24/203
D210,435 S * 3/1968 Boltz D24/203
D222,800 S * 1/1972 Donoghue D9/688
D235,484 S * 6/1975 Baro et al. D24/110
D258,535 S * 3/1981 Reichl D24/110
D279,312 S * 6/1985 Pohlmann D24/110

FIG. 1 is a top perspective view of a mask showing our new design with a bottle.
FIG. 2 is a top perspective view of the mask.
FIG. 3 is a bottom view of the mask with actuator.
FIG. 4 is a bottom view of the mask without actuator.
FIG. 5 is a right side view of the mask with bottle in dotted line.
FIG. 6 is a left side view of the mask with bottle in dotted line.
FIG. 7 is a front view of the mask.
FIG. 8 is a rear view of the mask.
FIG. 9 is a top view of the mask with actuator.
FIG. 10 is a top view of the mask without actuator; and,
FIG. 11 is a cross-sectional view taken in the direction of line 11-11 of the mask in FIG. 3.
The broken lines showing of the bottle in FIGS. 1 and 5-6 depicts environmental structure that forms no part of the claimed design.

1 Claim, 11 Drawing Sheets



(56)

References Cited

U.S. PATENT DOCUMENTS

6,155,258	A	12/2000	Voege	
D466,208	S *	11/2002	Emanuel	D24/110
6,494,201	B1	12/2002	Welik	
D483,493	S *	12/2003	Lie	D24/203
7,204,246	B1 *	4/2007	Berinato	A61M 15/08 128/200.14
D561,331	S	2/2008	Benzick et al.	
7,341,056	B1	3/2008	Tucker	
D610,250	S	2/2010	Neuner	
7,832,395	B2	11/2010	Rogers	
8,985,113	B2 *	3/2015	Aldana	A61M 16/10 128/204.18
D741,025	S *	10/2015	Ross	D30/121
D773,035	S	11/2016	Neuner	
2002/0050275	A1	5/2002	Koch	
2002/0170557	A1 *	11/2002	Schmidt	A61M 16/06 128/200.23
2003/0029450	A1	2/2003	Lee	
2003/0033930	A1	2/2003	Tom et al.	
2005/0081849	A1	4/2005	Warren	
2007/0107730	A1	5/2007	Sundhar	
2008/0041375	A1	2/2008	Stratton	
2008/0116228	A1	5/2008	Ryan et al.	
2009/0107582	A1 *	4/2009	Sayage	B65D 51/24 141/340
2013/0199523	A1	8/2013	Chen	
2016/0050884	A1 *	2/2016	Ross	A01K 7/00 119/74

* cited by examiner

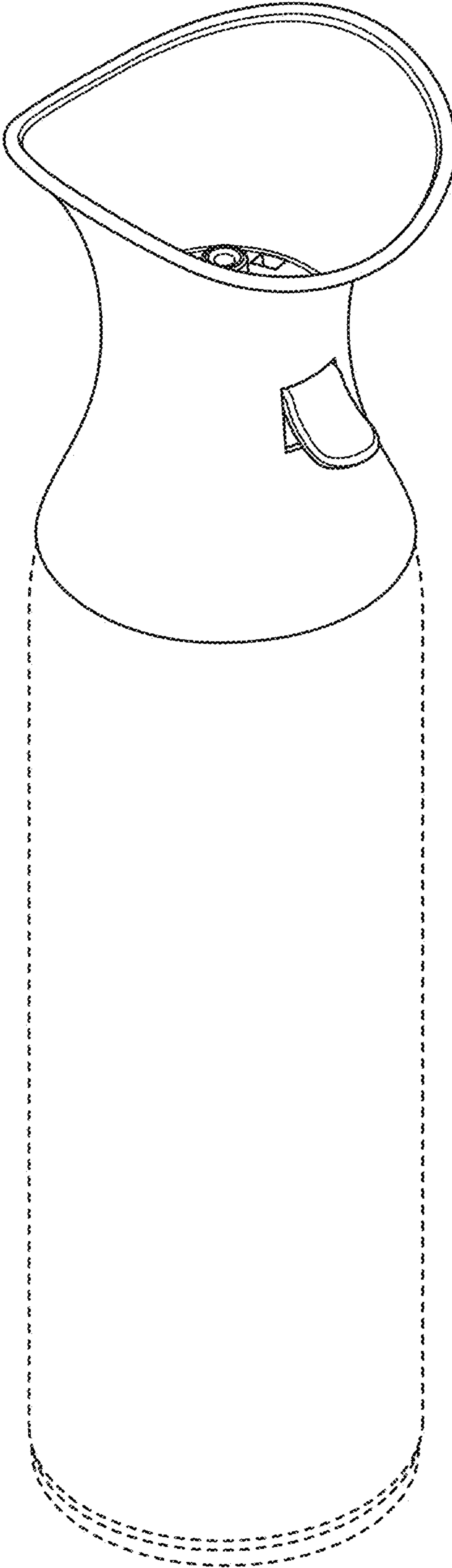


FIG. 1

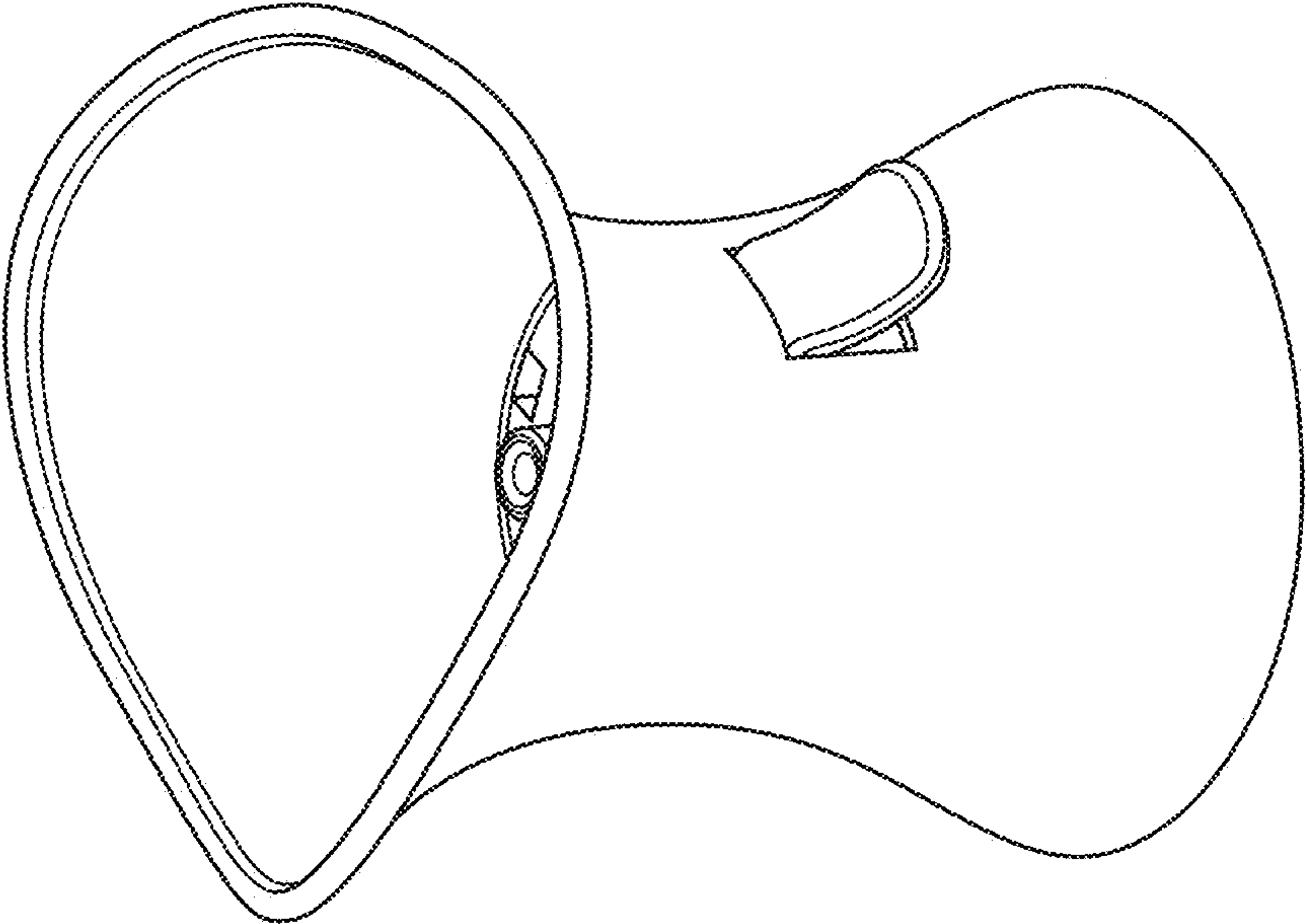


FIG. 2

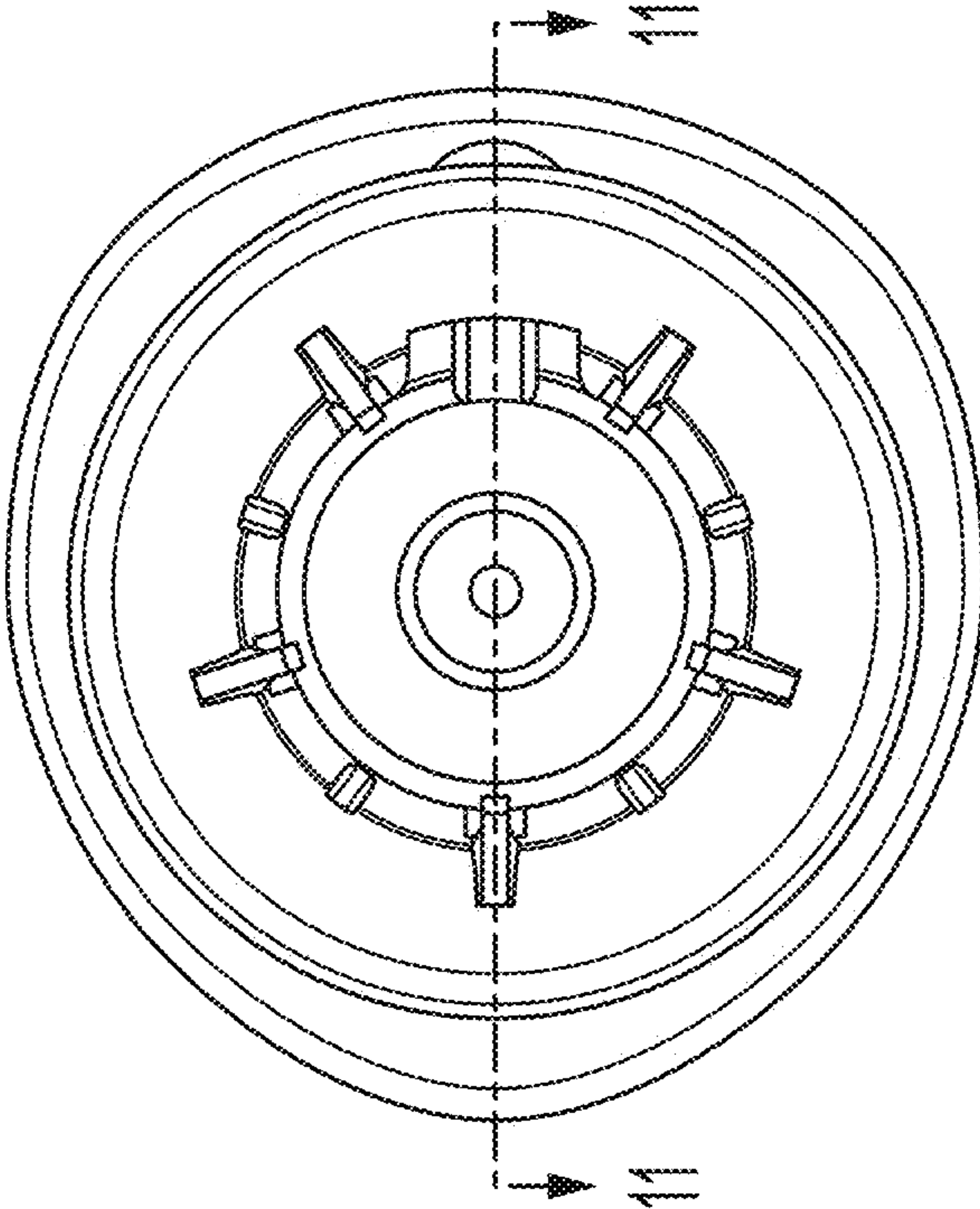


FIG. 3

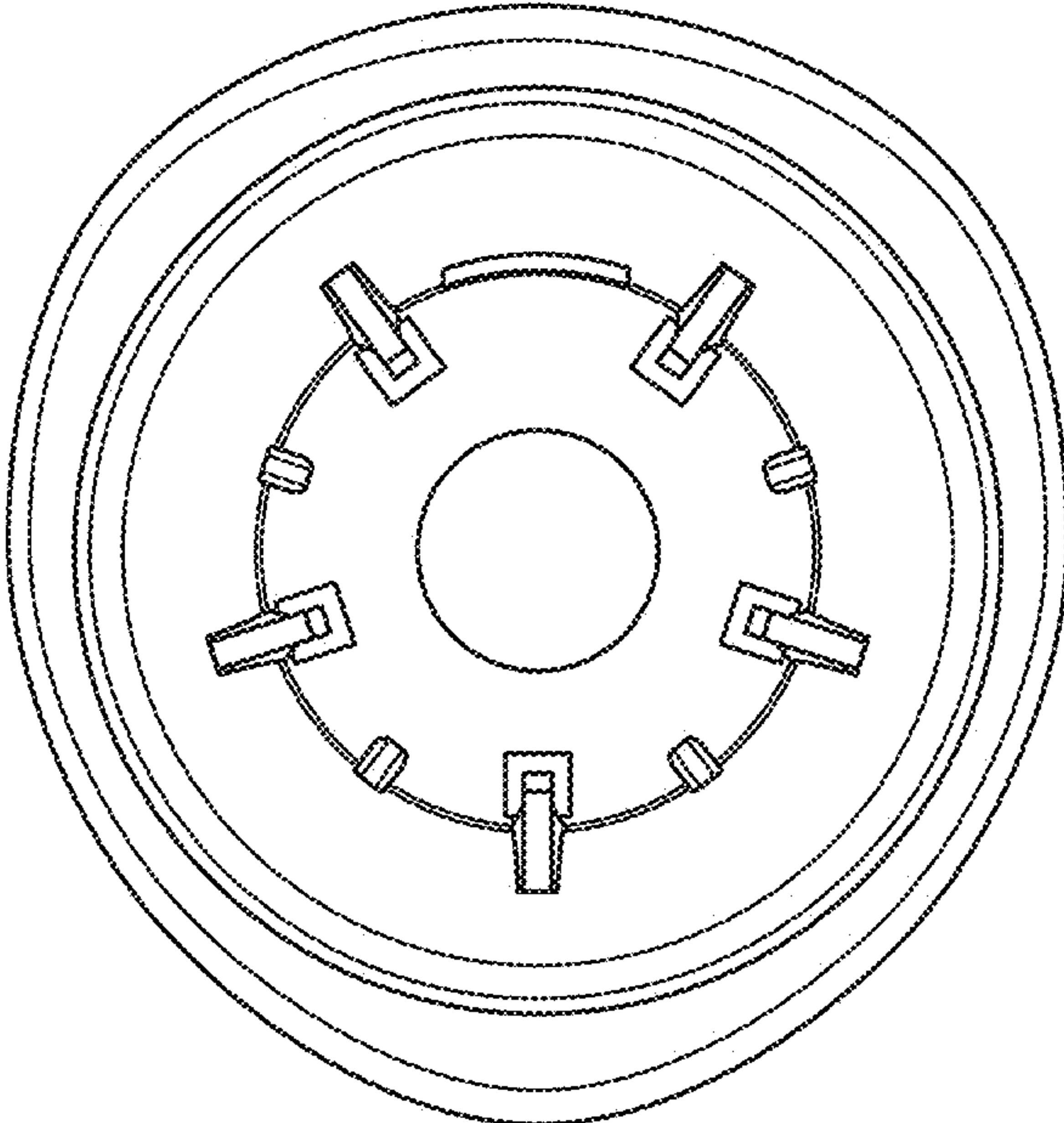


FIG. 4

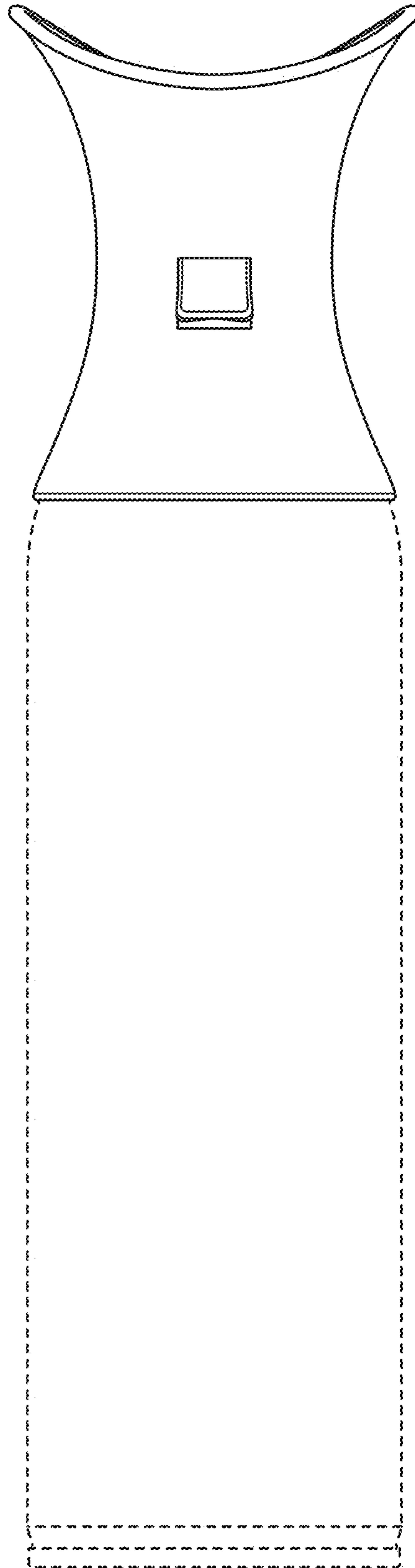


FIG. 5

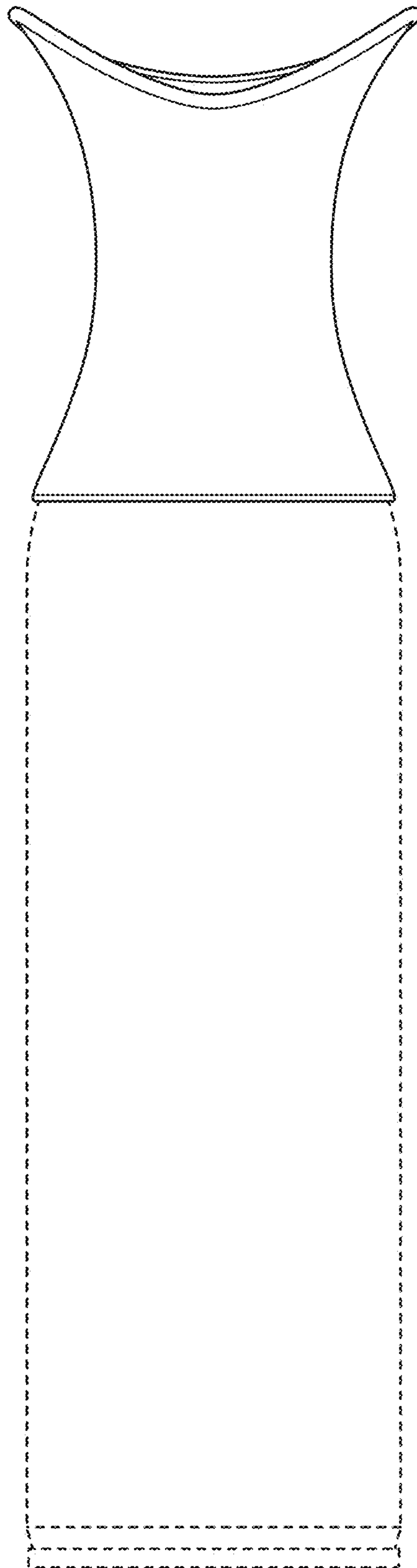


FIG. 6

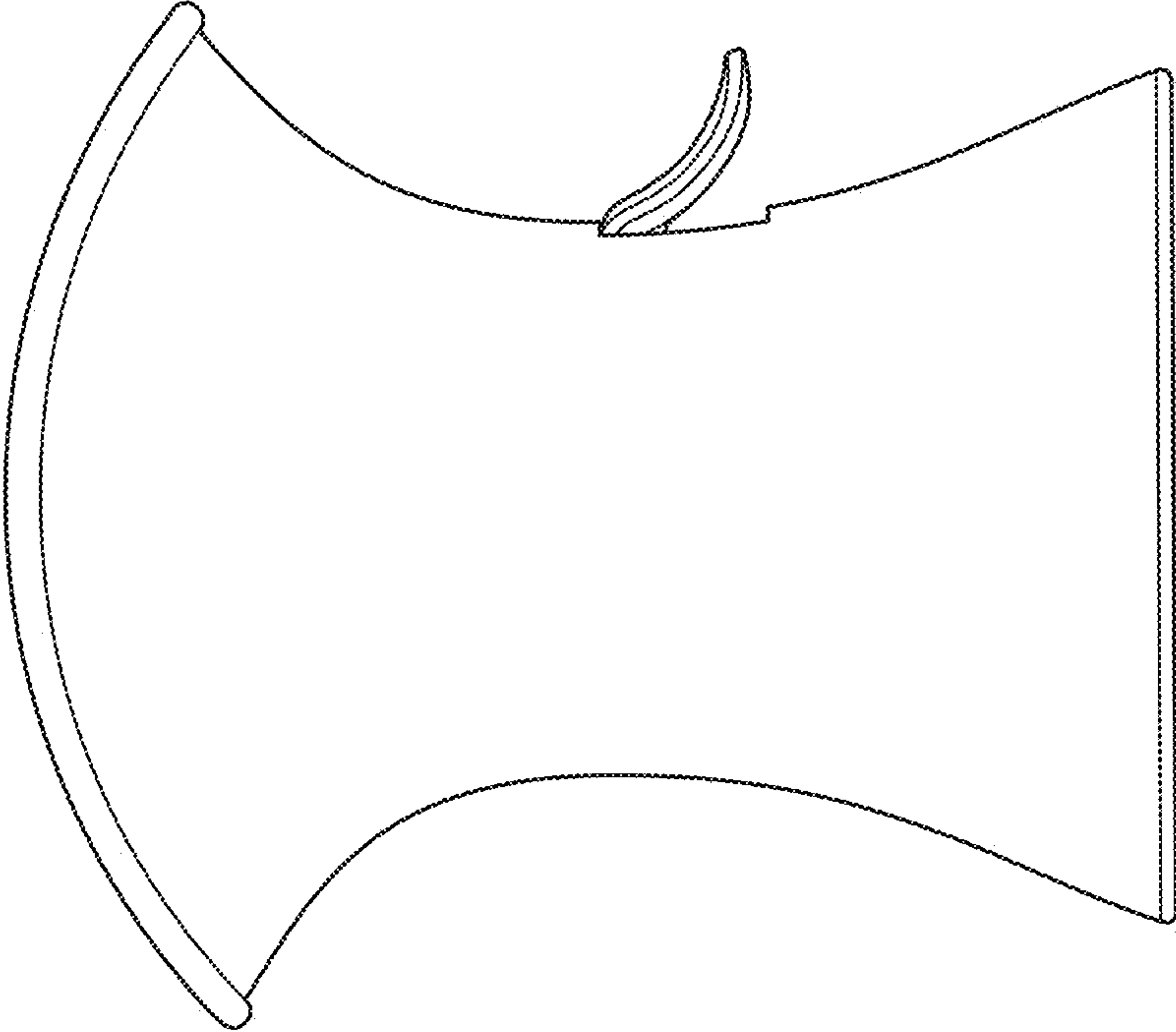


FIG. 7

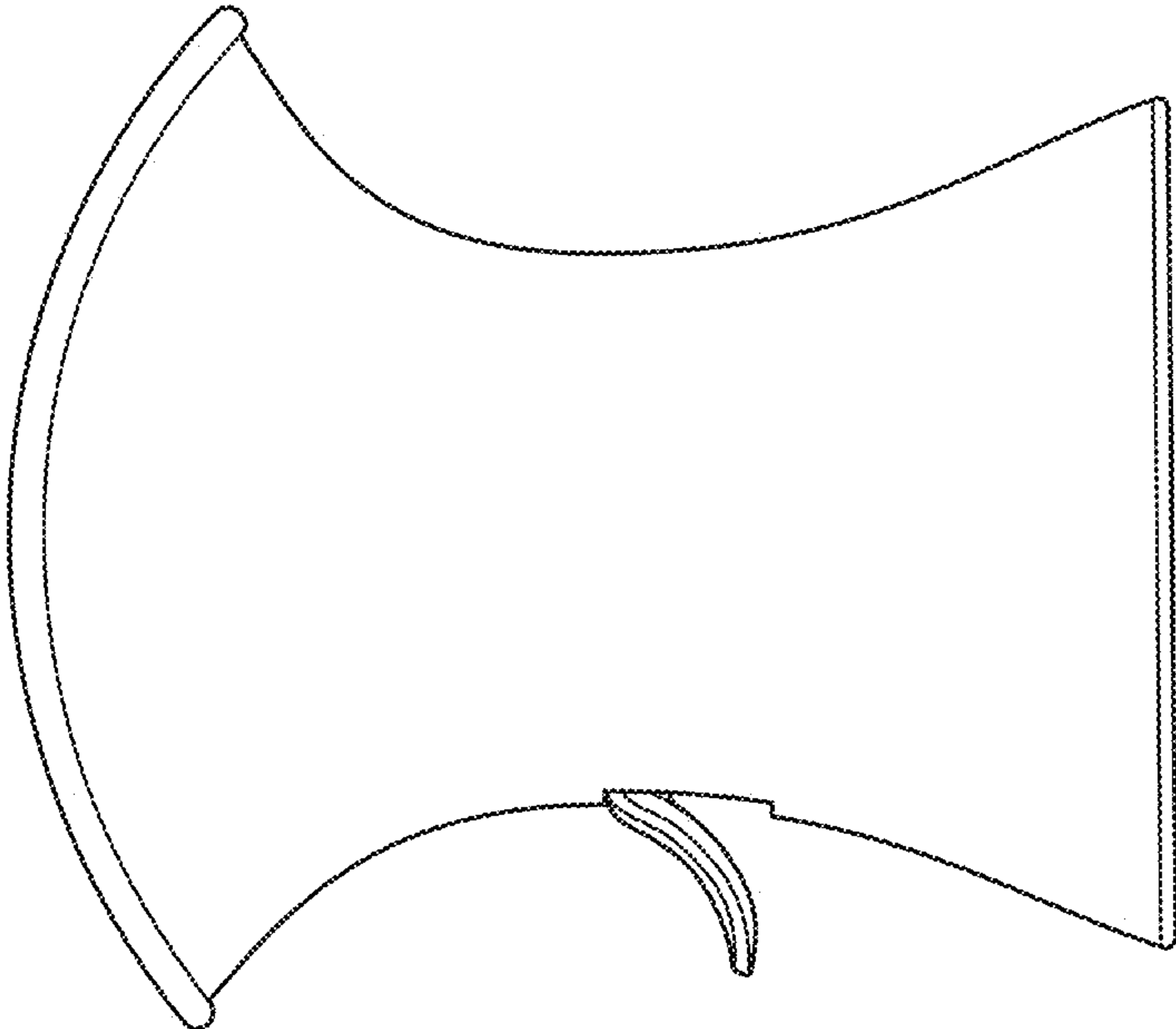


FIG. 8

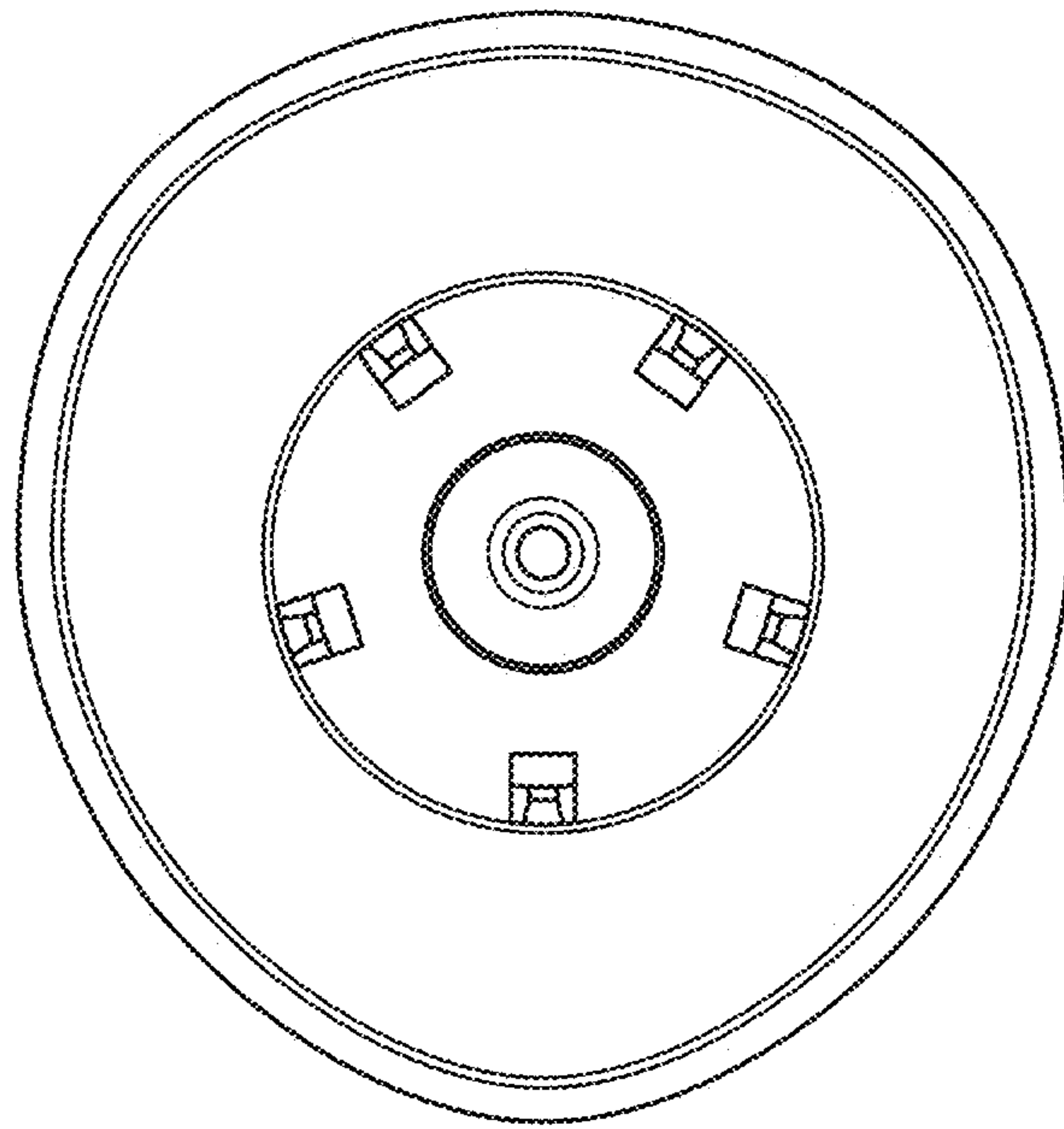


FIG. 9

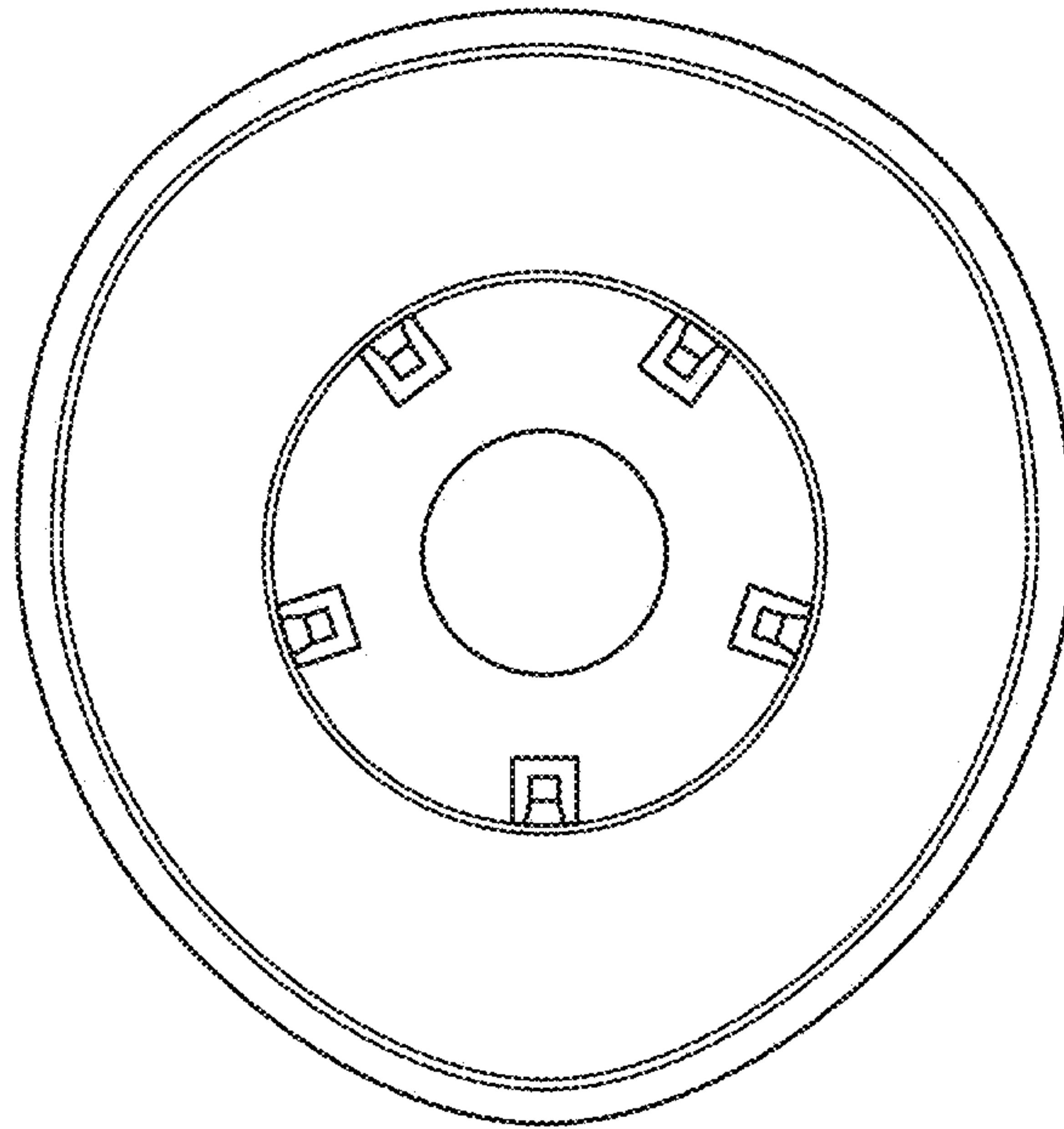


FIG. 10

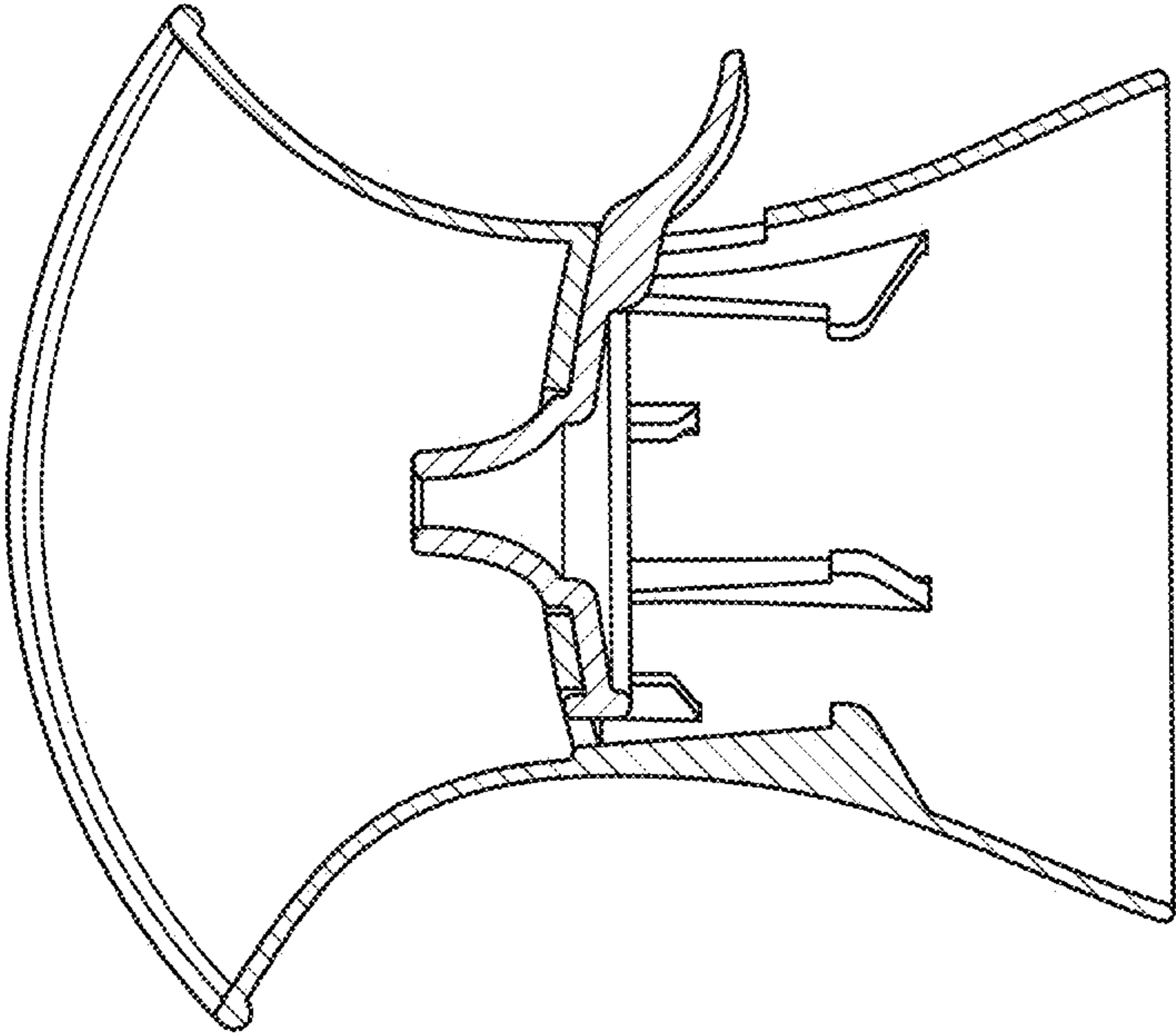


FIG. 11