



US00D912238S

(12) **United States Design Patent** (10) **Patent No.:** **US D912,238 S**
Santolucito et al. (45) **Date of Patent:** **** Mar. 2, 2021**

(54) **CEILING FAN MOTOR HOUSING**

FOREIGN PATENT DOCUMENTS

(71) Applicant: **HUNTER FAN COMPANY**,
Memphis, TN (US)

CN 201305128 9/2009
CN 102536864 A1 7/2012

(Continued)

(72) Inventors: **Phillip Santolucito**, Memphis, TN
(US); **Agustin Chacon**, Memphis, TN
(US)

OTHER PUBLICATIONS

(73) Assignee: **Hunter Fan Company**, Memphis, TN
(US)

PCT International Search Report for PCT/US2016/066615 issued
Apr. 3, 2017.

(Continued)

(**) Term: **15 Years**

Primary Examiner — Janice Hallmark

(21) Appl. No.: **29/613,301**

(74) *Attorney, Agent, or Firm* — McGarry Bair PC

(22) Filed: **Aug. 9, 2017**

(57) **CLAIM**

The ornamental design for a ceiling fan motor housing, as
shown and described.

Related U.S. Application Data

DESCRIPTION

(63) Continuation of application No. 15/378,806, filed on
Dec. 14, 2016, now Pat. No. 10,648,485.

FIG. 1 is a top perspective view of a ceiling fan motor
housing showing our new design in the environment of a
ceiling fan;

(51) **LOC (13) Cl.** **23-04**

(52) **U.S. Cl.**
USPC **D23/411**; D23/377; D26/59

FIG. 2 is an enlarged top perspective detail view of the
ceiling fan motor housing, showing the portion encircled in
FIG. 1;

(58) **Field of Classification Search**
USPC D23/370, 377, 379, 381, 382, 385, 411,
D23/413, 414, 332, 328; D26/59;
D15/5, 7

FIG. 3 is an enlarged top perspective view of the ceiling fan
motor housing shown in the environment of a ceiling fan;
FIG. 4 is a bottom perspective view of the ceiling fan motor
housing shown in the environment of a ceiling fan;

CPC F04D 25/08; F04D 29/388; F04D 29/34;
F04D 25/088; H02K 1/187

See application file for complete search history.

FIG. 5 is a top plan view of the ceiling fan motor housing;
FIG. 6 is a top perspective view of the ceiling fan motor
housing; and,

(56) **References Cited**

FIG. 7 is a side elevational view of the ceiling fan motor
housing.

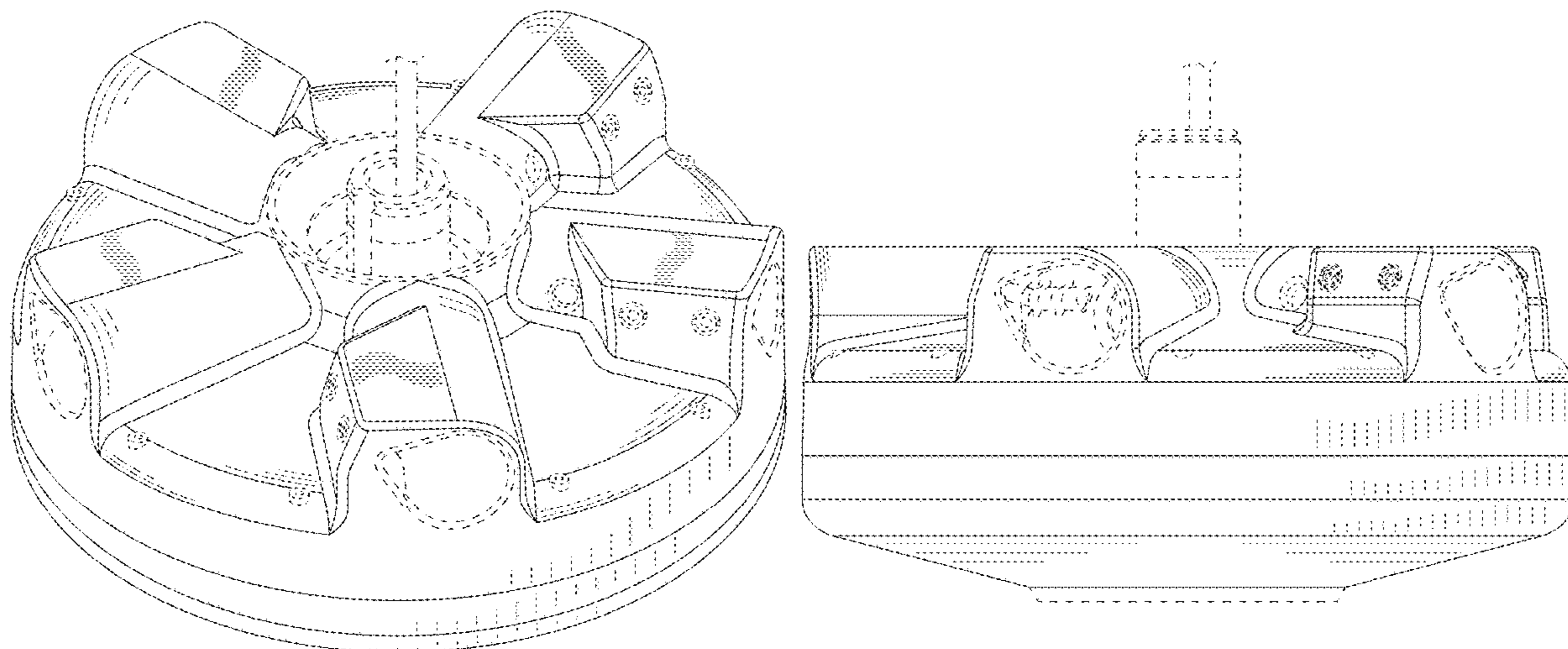
U.S. PATENT DOCUMENTS

Portions of the ceiling fan motor housing shown in dash-
dash broken lines form no part of the claimed design. The
dash-dot-dot-dash lines form no part of the claimed design
and only designate the border of an enlarged view.

2,765,859 A 10/1956 Hartzell et al.
2,918,977 A 12/1959 Fedan et al.
4,275,993 A 6/1981 Sprengling

(Continued)

1 Claim, 7 Drawing Sheets



(56)

References Cited

U.S. PATENT DOCUMENTS

4,594,018 A 6/1986 Larsson et al.
 4,611,139 A 9/1986 Godkin et al.
 4,637,673 A 1/1987 Yang
 4,657,485 A 4/1987 Hartwig
 4,808,071 A 2/1989 Chau
 5,085,392 A 2/1992 Pema
 5,256,037 A 10/1993 Chatelain
 D345,790 S * 4/1994 Caldwell D23/377
 5,435,514 A 7/1995 Kerr
 5,520,515 A 5/1996 Bailey et al.
 D372,080 S * 7/1996 Dolan D23/377
 5,613,832 A 3/1997 Su
 D389,908 S * 1/1998 Dolan D23/377
 5,851,107 A 12/1998 Wang
 D407,155 S * 3/1999 Liu D23/377
 5,883,449 A 3/1999 Mehta et al.
 6,039,541 A 3/2000 Parker et al.
 6,250,886 B1 6/2001 Immell et al.
 D448,841 S * 10/2001 Campbell D23/411
 6,390,777 B1 5/2002 Kerr, Jr.
 6,528,914 B2 3/2003 Kloeppe et al.
 6,592,328 B1 7/2003 Cahill
 D480,793 S * 10/2003 Burns D23/411
 6,630,758 B2 10/2003 Aoki et al.
 6,726,453 B1 4/2004 Hsieh
 6,817,835 B2 11/2004 Boyd et al.
 7,210,910 B1 5/2007 Parker et al.
 7,284,960 B2 10/2007 Aynsley
 7,615,898 B2 11/2009 Chang
 7,625,186 B1 12/2009 Lueddecke
 7,726,945 B2 6/2010 Grant et al.
 7,780,418 B2 8/2010 Wang
 7,785,077 B2 8/2010 Richardson et al.
 D626,209 S * 10/2010 Searle D23/411
 D627,052 S * 11/2010 Pan D23/411
 D627,456 S * 11/2010 Glasbrenner D23/411
 7,955,055 B1 6/2011 Boyd
 8,066,480 B2 11/2011 Madsen et al.
 D671,631 S * 11/2012 Searle D23/411
 8,523,378 B2 9/2013 Schulzman
 8,579,588 B1 11/2013 Boyd
 8,602,725 B2 12/2013 Itou et al.
 8,672,649 B2 3/2014 Smith et al.
 8,827,664 B2 9/2014 McCloud et al.
 8,840,379 B2 9/2014 Wang
 8,876,468 B2 11/2014 Aynsley et al.
 8,956,124 B2 2/2015 Boyd et al.

9,102,397 B2 8/2015 Wood
 D745,655 S * 12/2015 Pickett D23/411
 D779,052 S * 2/2017 Gajewski D23/411
 9,982,679 B2 * 5/2018 Santolucito F04D 25/088
 2008/0107527 A1 5/2008 Gajewski
 2008/0203837 A1 8/2008 Tang
 2009/0081045 A1 3/2009 Scherer et al.
 2009/0180888 A1 7/2009 Parker et al.
 2011/0020135 A1 1/2011 Itou et al.
 2013/0136632 A1 5/2013 Stocks et al.
 2013/0189104 A1 7/2013 Hollan et al.
 2013/0189109 A1 7/2013 Noble
 2013/0209293 A1 8/2013 Kawano et al.
 2014/0348649 A1 11/2014 Oleson
 2015/0023802 A1 1/2015 Oleson et al.
 2015/0037164 A1 2/2015 Fizer et al.
 2015/0090858 A1 4/2015 Broughman
 2015/0240824 A1 8/2015 Jones et al.
 2015/0260199 A1 9/2015 Hollan
 2015/0333592 A1 11/2015 Yin et al.
 2017/0159664 A1 6/2017 Du
 2017/0167495 A1 * 6/2017 Santolucito F04D 25/088

FOREIGN PATENT DOCUMENTS

CN 202520640 11/2012
 CN 103174465 A 6/2013
 CN 104214137 A 12/2014
 CN 204025144 U 12/2014
 CN 204041489 U 12/2014
 CN 105201893 12/2015
 CN 204992877 1/2016
 CN 205533349 8/2016
 EP 2397784 A1 12/2011
 JP 2013217273 A 10/2013
 WO 2002081927 A1 10/2002

OTHER PUBLICATIONS

Brazilian Patent Office, Office Action re Corresponding BR Application No. BR112018011909-1, dated Jun. 20, 2020, 4 pages, Rio de Janeiro, Brazil.
 Kuang Yufen, National Intellectual Property Administration, PRC, Notification of First Office Action re Application No. 2016800813964, dated Aug. 9, 2019, 11 pages, Beijing, China.
 Kuang Yufen, National Intellectual Property Administration, PRC, Notification of First Office Action re Application No. 2016800816981, dated Aug. 5, 2019, 7 pages, Beijing, China.

* cited by examiner

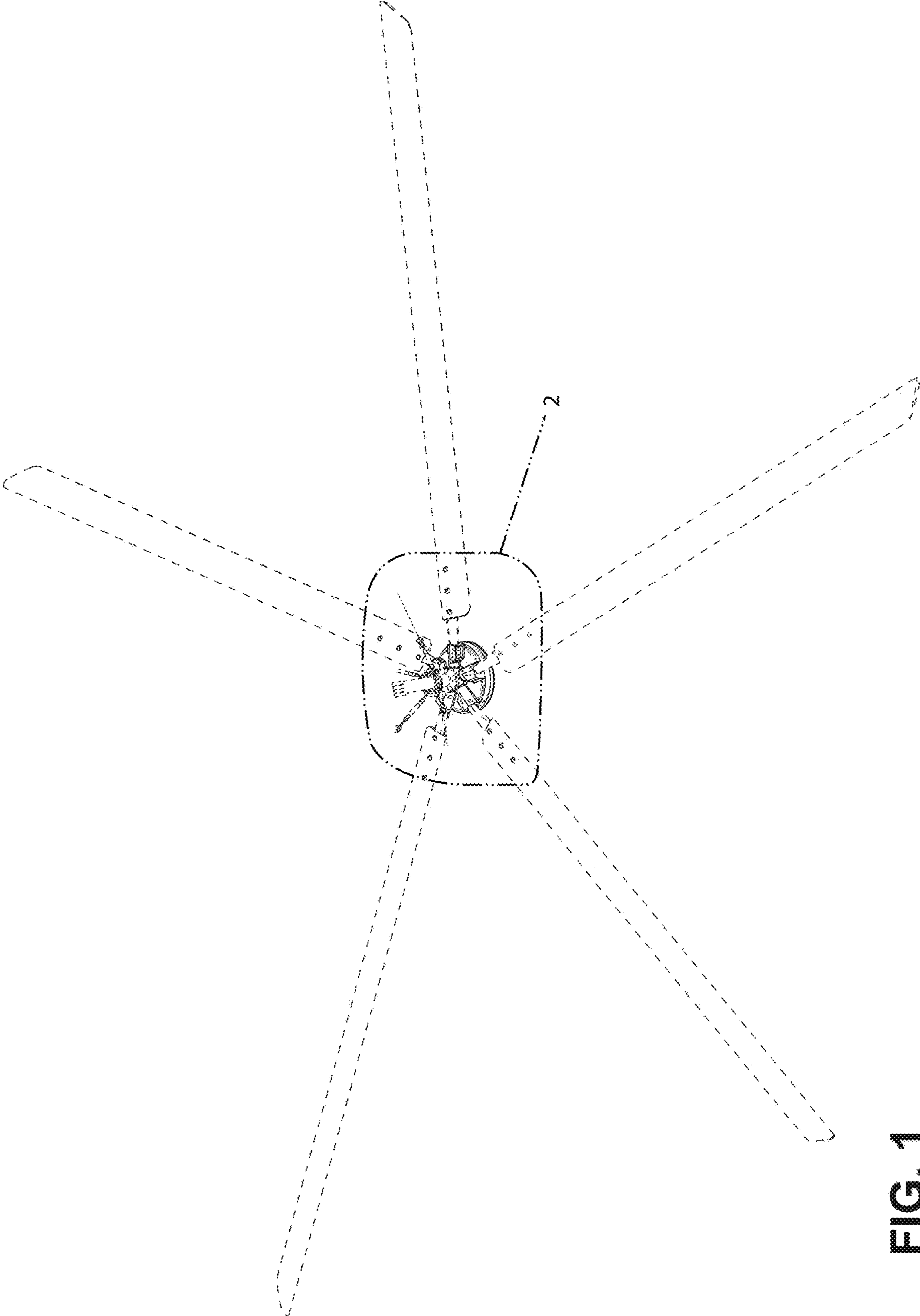


FIG. 1

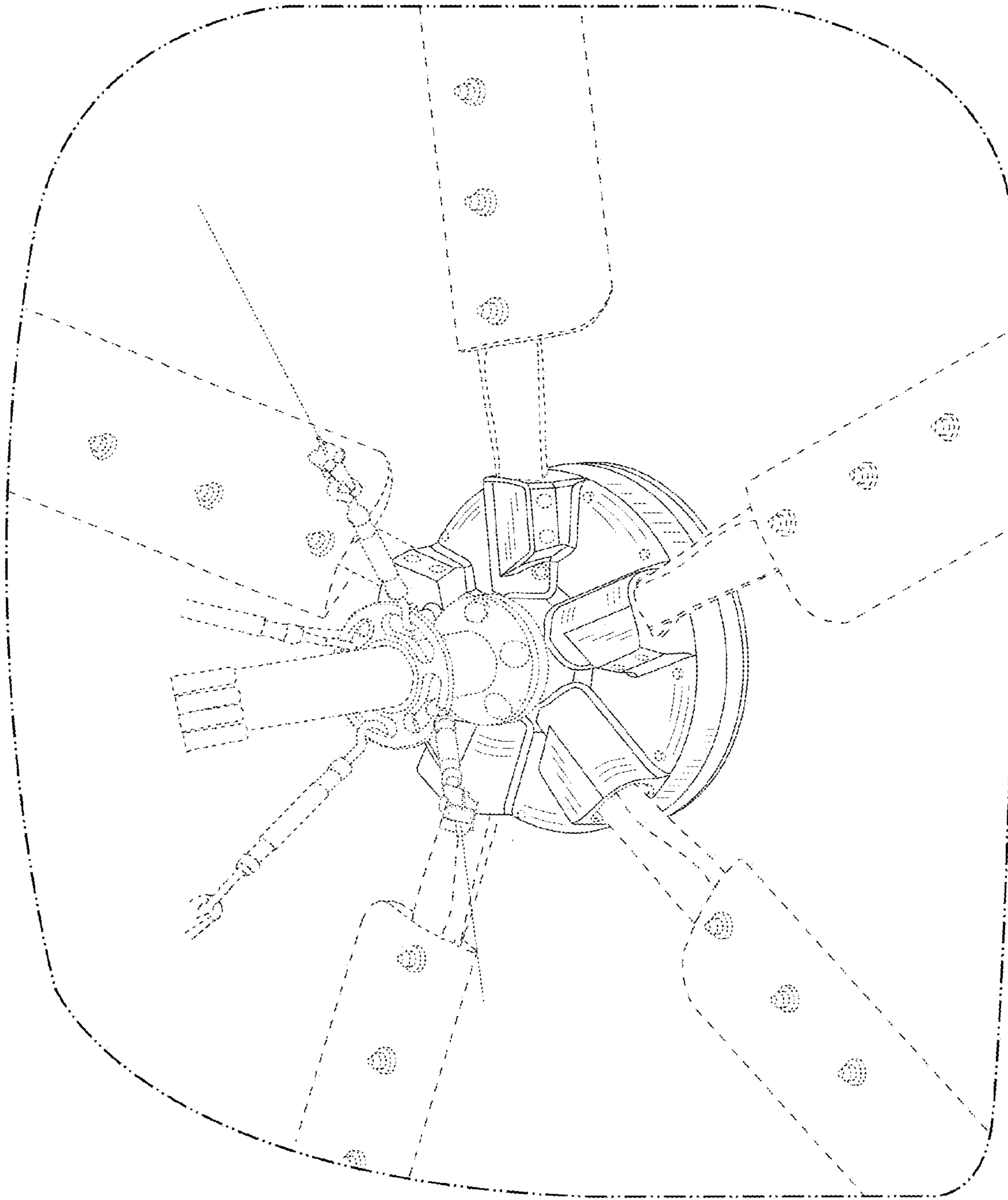


FIG. 2

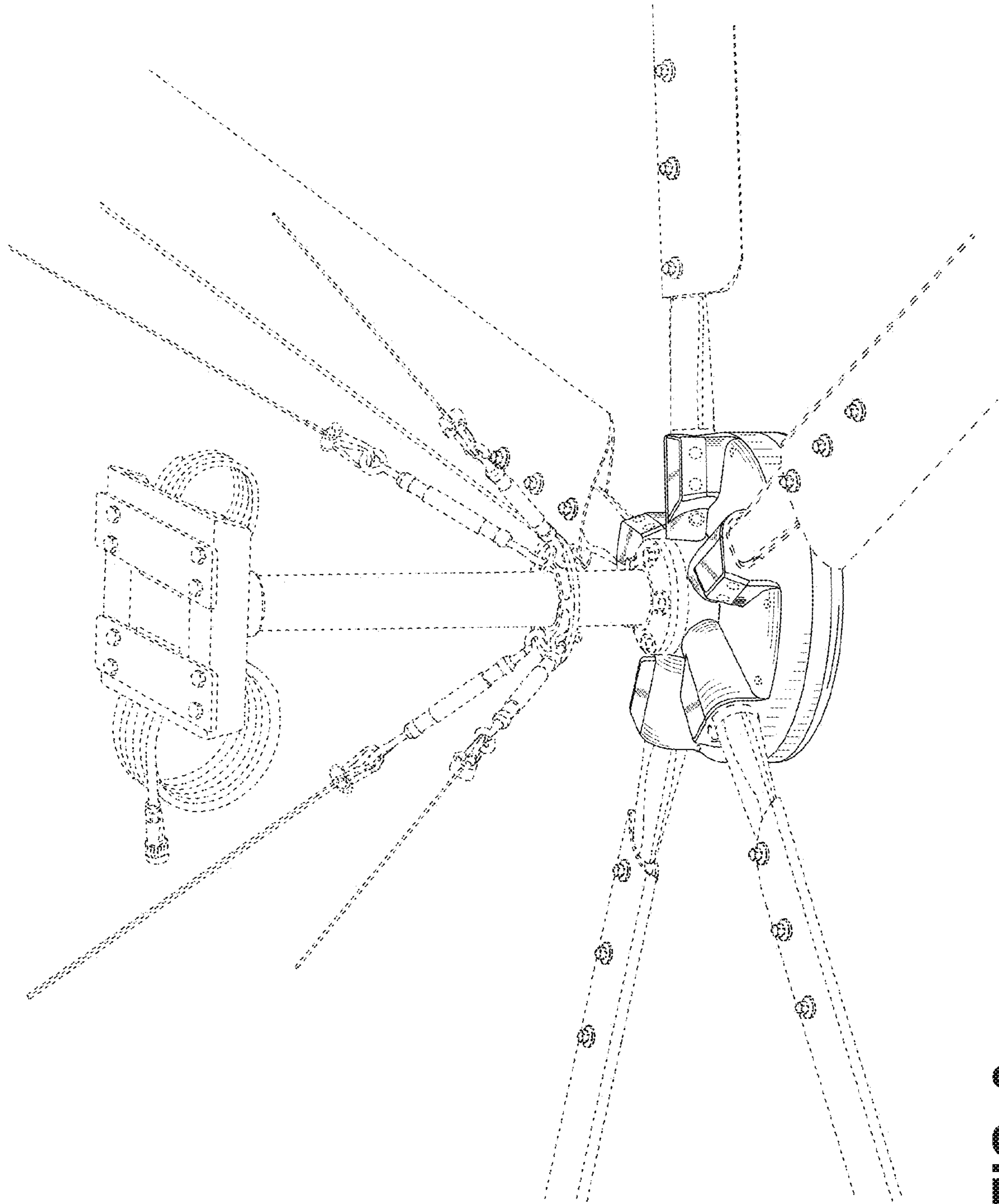


FIG. 3

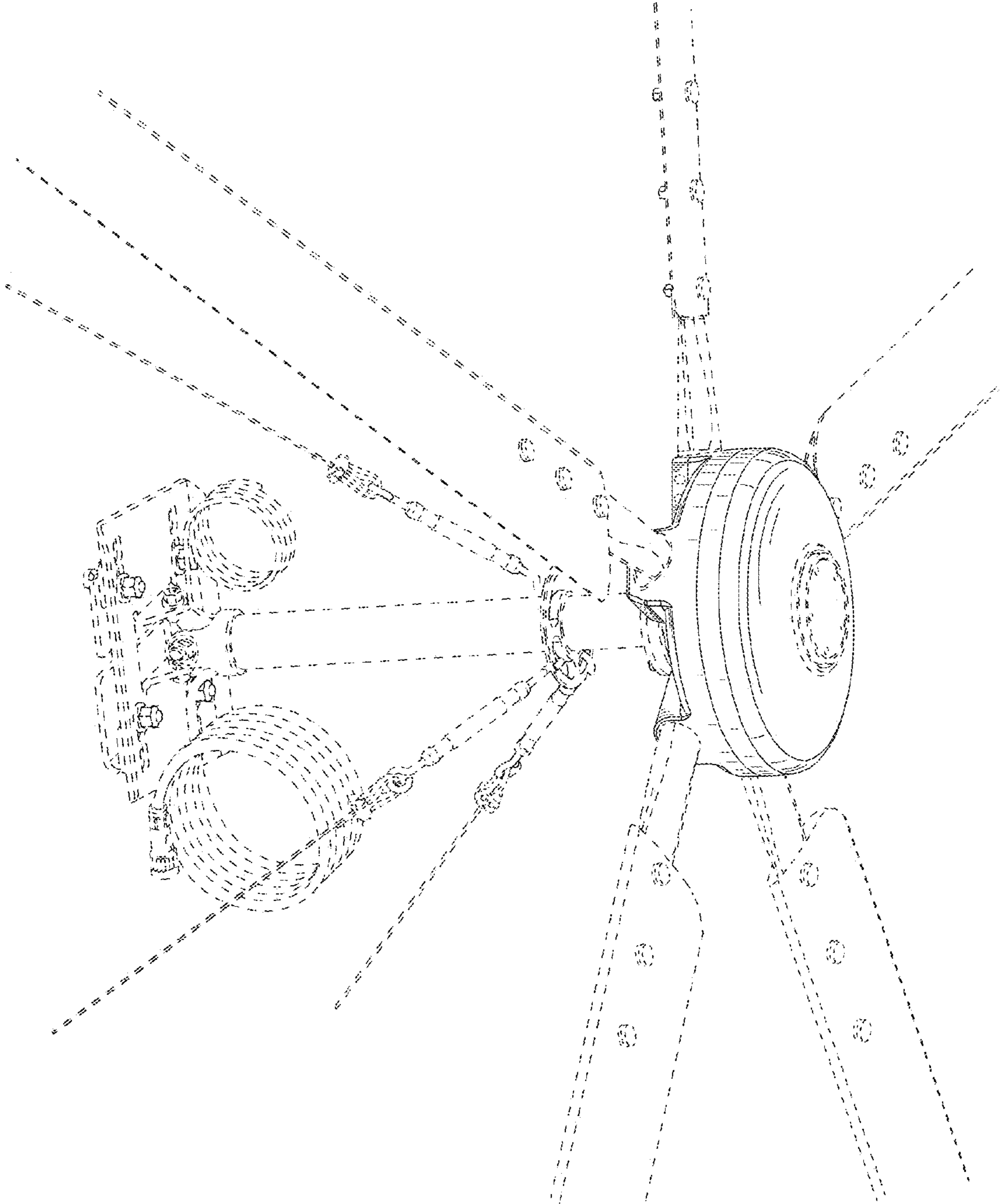


FIG. 4

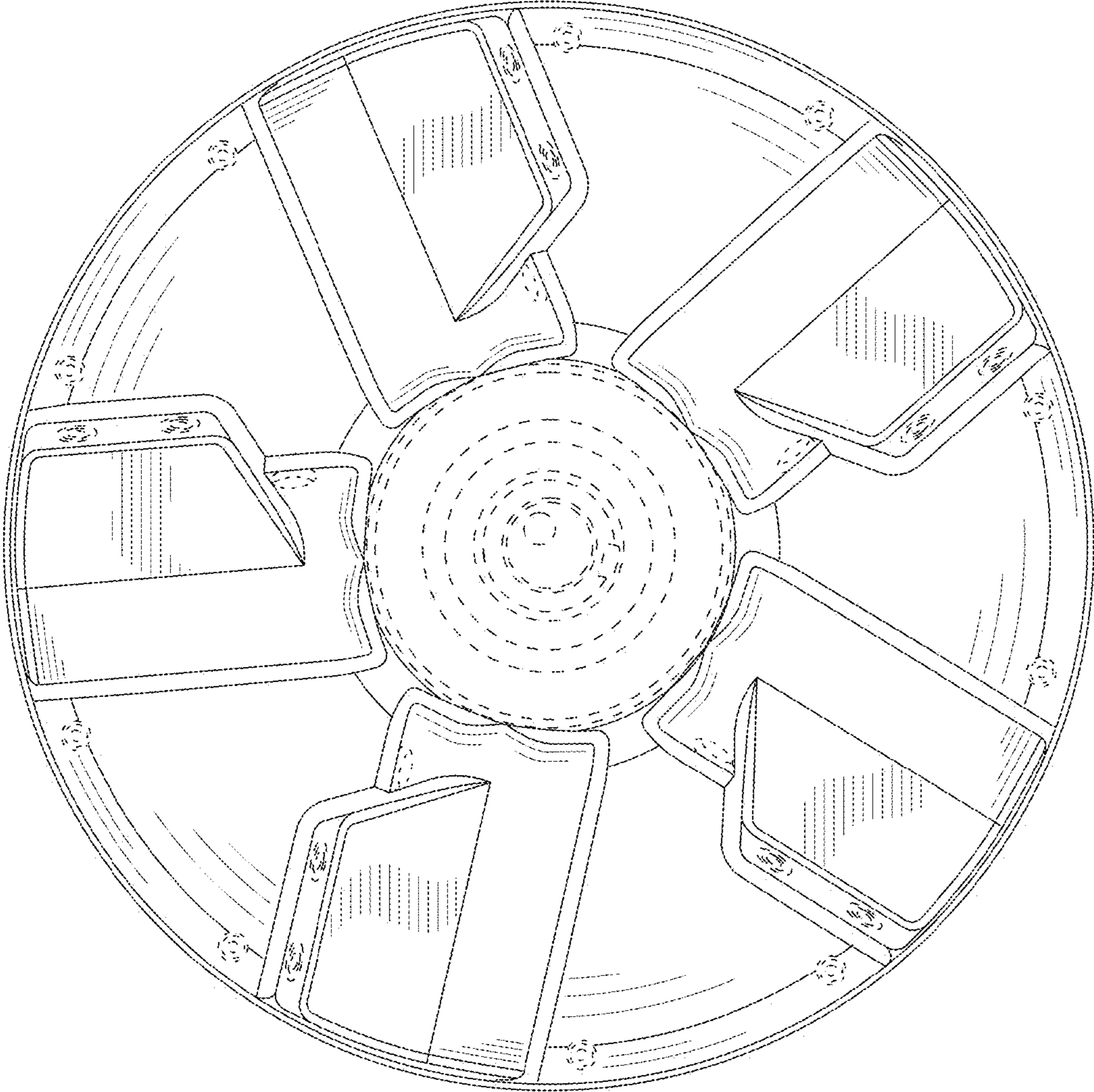


FIG. 5

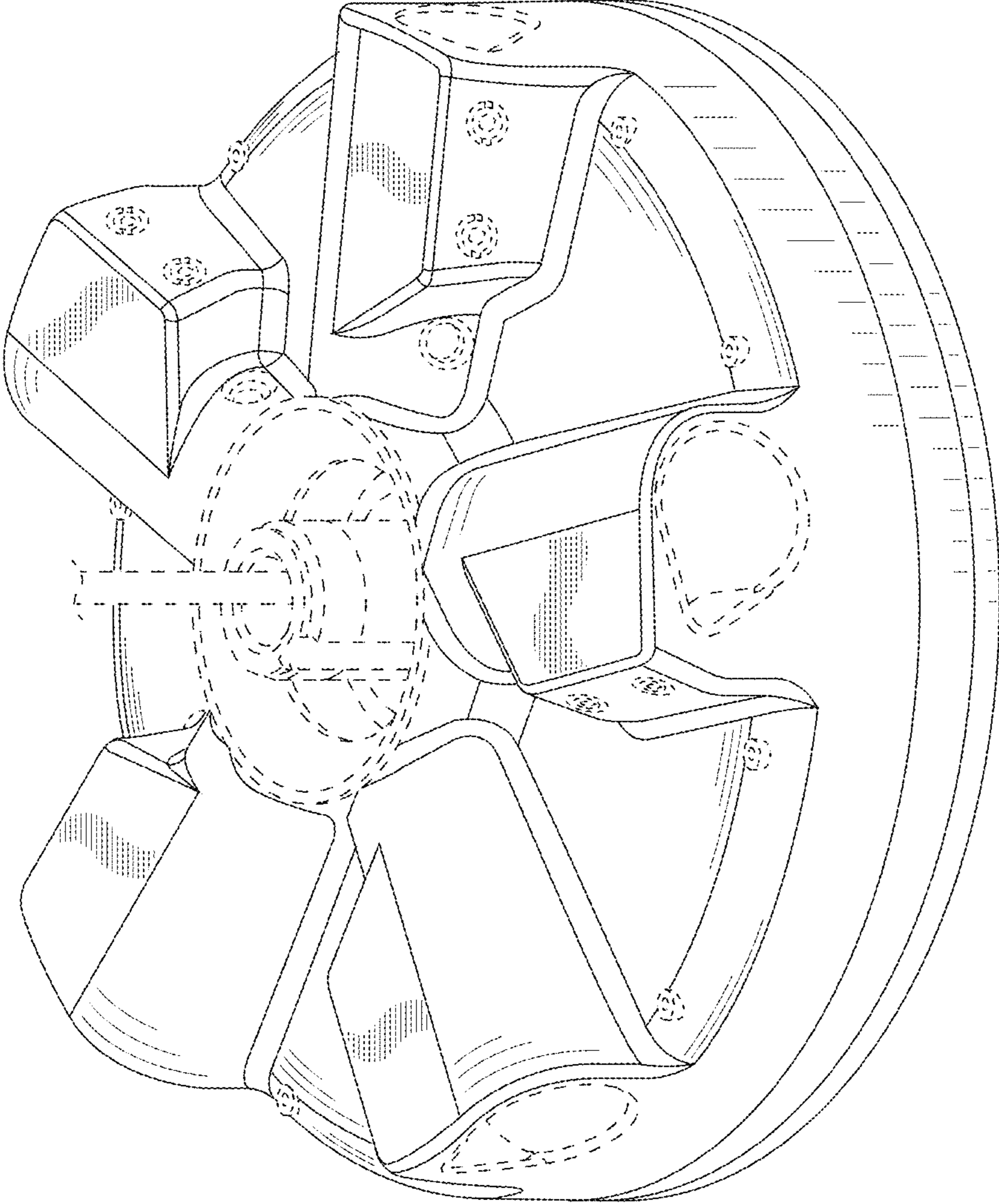


FIG. 6

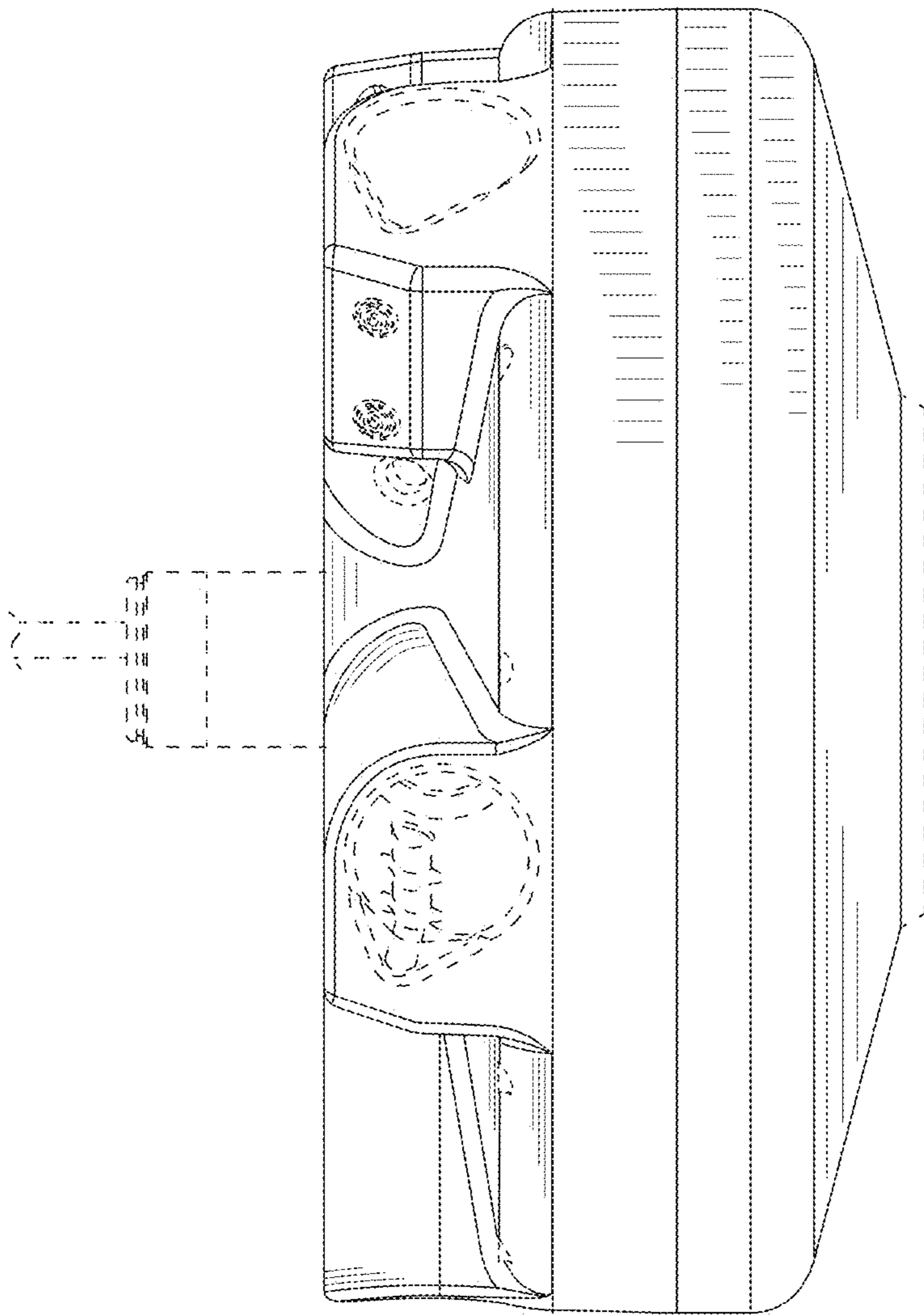


FIG. 7