



US00D912237S

(12) **United States Design Patent**  
**Crisà**

(10) **Patent No.:** **US D912,237 S**

(45) **Date of Patent:** **\*\* Mar. 2, 2021**

(54) **EXTRACTOR HOOD**

(71) Applicant: **Elica S.p.A.**, Fabriano (IT)  
(72) Inventor: **Fabrizio Crisà**, Fabriano (IT)  
(73) Assignee: **ELICA S.p.A.**, Fabriano (IT)  
(\*\*) Term: **15 Years**

(21) Appl. No.: **29/656,980**  
(22) Filed: **Jul. 18, 2018**

(30) **Foreign Application Priority Data**

Jan. 18, 2018 (EM) ..... 004670420

(51) **LOC (13) Cl.** ..... **23-04**

(52) **U.S. Cl.**  
USPC ..... **D23/372**

(58) **Field of Classification Search**  
USPC ..... D23/314, 370-379, 385-393, 411-414;  
D26/59; D7/346  
CPC ..... F04D 5/00; F04D 27/00; F24H 3/04  
See application file for complete search history.

(56) **References Cited**

**U.S. PATENT DOCUMENTS**

4,667,581	A *	5/1987	Hovland	.....	F24F 7/00 454/260
D379,501	S *	5/1997	Airosa	.....	D23/371
5,921,277	A *	7/1999	Bernal	.....	F16K 27/0218 137/315.24
6,216,686	B1 *	4/2001	Chiu	.....	F24C 15/20 126/299 D
D443,351	S *	6/2001	Strand	.....	D23/372
6,354,287	B1 *	3/2002	Kudoh	.....	F04D 29/601 126/299 D
D464,419	S *	10/2002	Nilsson	.....	D23/371
D471,268	S *	3/2003	Segers	.....	D23/372
D482,769	S *	11/2003	Bothe	.....	D23/372
D490,887	S *	6/2004	Segers	.....	D23/372

D504,939	S *	5/2005	Piatt	.....	D23/293.1
D558,325	S *	12/2007	Karnes	.....	D23/393
D575,861	S *	8/2008	Kudo	.....	D23/372
D580,041	S *	11/2008	Kudo	.....	D23/372
D580,540	S *	11/2008	Kudo	.....	D23/372
D671,789	S *	12/2012	Goss	.....	D7/346
D690,151	S *	9/2013	Sattler	.....	D7/346
D702,479	S *	4/2014	Sattler	.....	D7/346
D749,204	S *	2/2016	Breneman	.....	D23/372

(Continued)

*Primary Examiner* — Cathron C Brooks

*Assistant Examiner* — Sharon S Oum

(74) *Attorney, Agent, or Firm* — MH2 Technology Law Group LLP

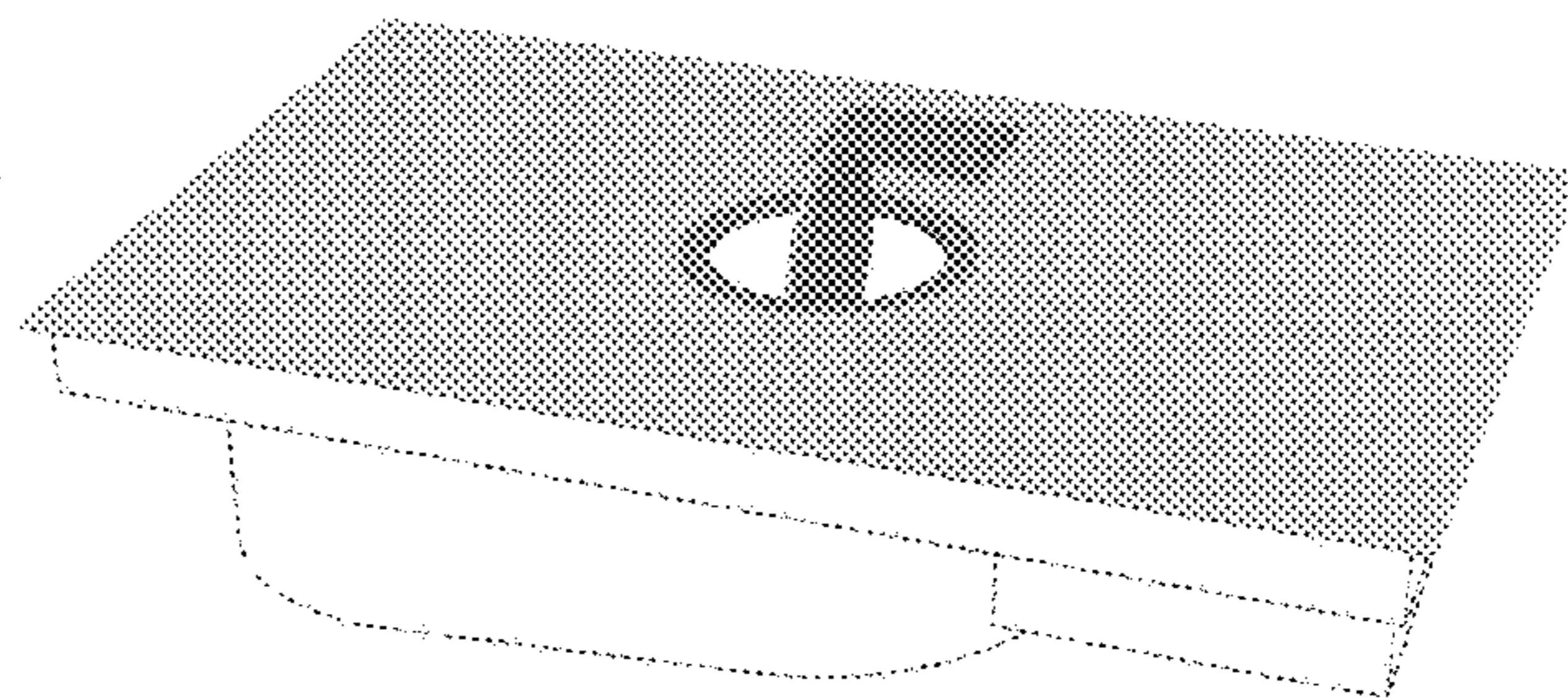
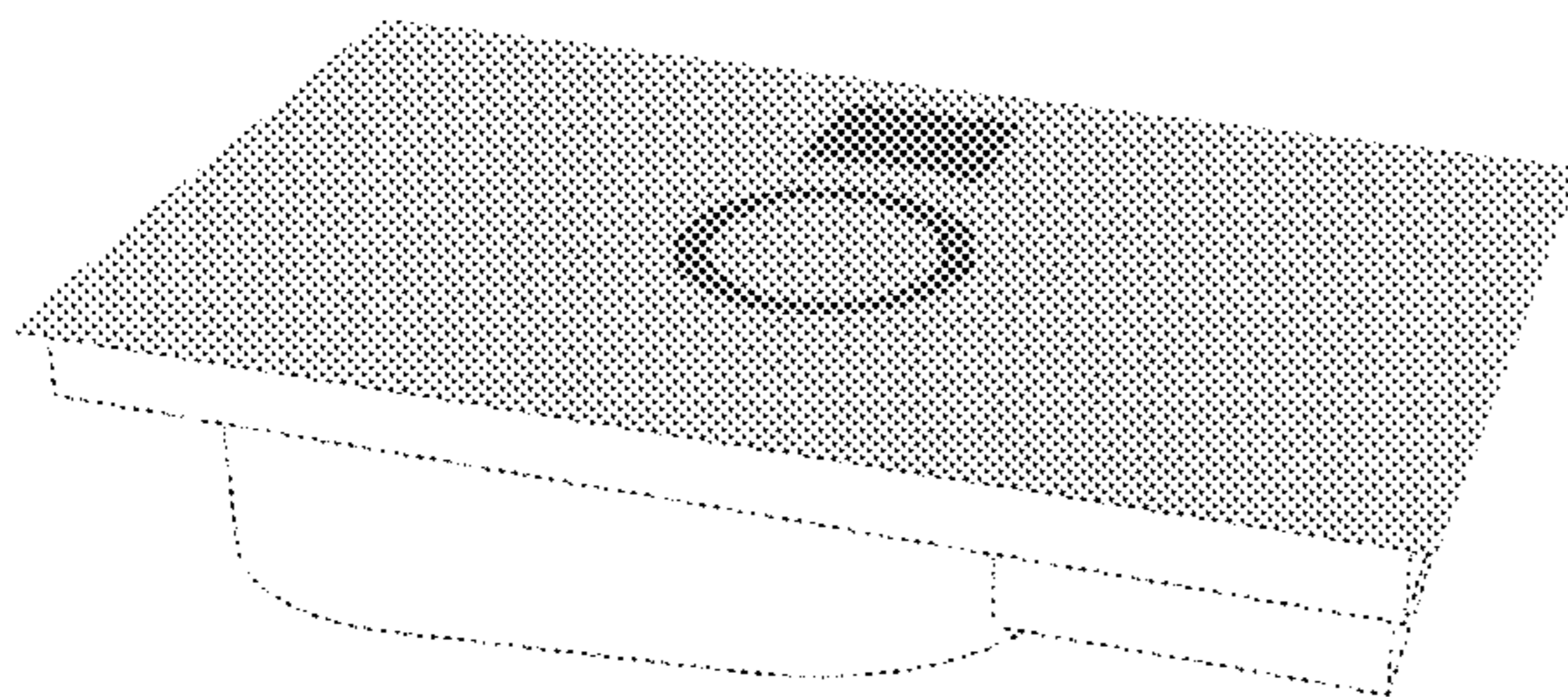
(57) **CLAIM**

The ornamental design for an extractor hood, as shown and described.

**DESCRIPTION**

FIG. 1 is a top right, perspective view of an extractor hood in a rest configuration, showing my new design;  
 FIG. 2 is a rear elevation view thereof;  
 FIG. 3 is a bottom plan view thereof;  
 FIG. 4 is a front elevation view thereof;  
 FIG. 5 is a right-side elevation view thereof;  
 FIG. 6 is a left-side elevation view thereof;  
 FIG. 7 is a top plan view thereof;  
 FIG. 8 is a top right, perspective view of the extractor hood of FIG. 1 in a suction configuration, showing my new design;  
 FIG. 9 is a rear elevation view thereof;  
 FIG. 10 is a bottom plan view thereof;  
 FIG. 11 is a front elevation view thereof;  
 FIG. 12 is a right-side elevation view thereof;  
 FIG. 13 is a left-side elevation view thereof; and,  
 FIG. 14 is a top plan view thereof.  
 Broken lines in FIGS. 1-14 illustrate portions of the extractor hood that form no part of the claimed design.

**1 Claim, 14 Drawing Sheets**



(56)

**References Cited**

U.S. PATENT DOCUMENTS

D773,629	S	*	12/2016	Crisa'	.....	D23/372
D777,900	S	*	1/2017	Esposito	.....	D23/393
D793,795	S	*	8/2017	Suh	.....	D7/323
9,777,942	B2	*	10/2017	Hill	.....	F24F 13/10
D814,844	S	*	4/2018	Kim	.....	D7/346
D817,471	S	*	5/2018	Crisa'	.....	D23/372
D822,811	S	*	7/2018	Niki	.....	D23/351
D830,527	S	*	10/2018	Niki	.....	D23/351
D858,171	S	*	9/2019	Kim	.....	D7/346
D862,151	S	*	10/2019	Ryu	.....	D7/346
D863,861	S	*	10/2019	Lim	.....	D7/346

\* cited by examiner

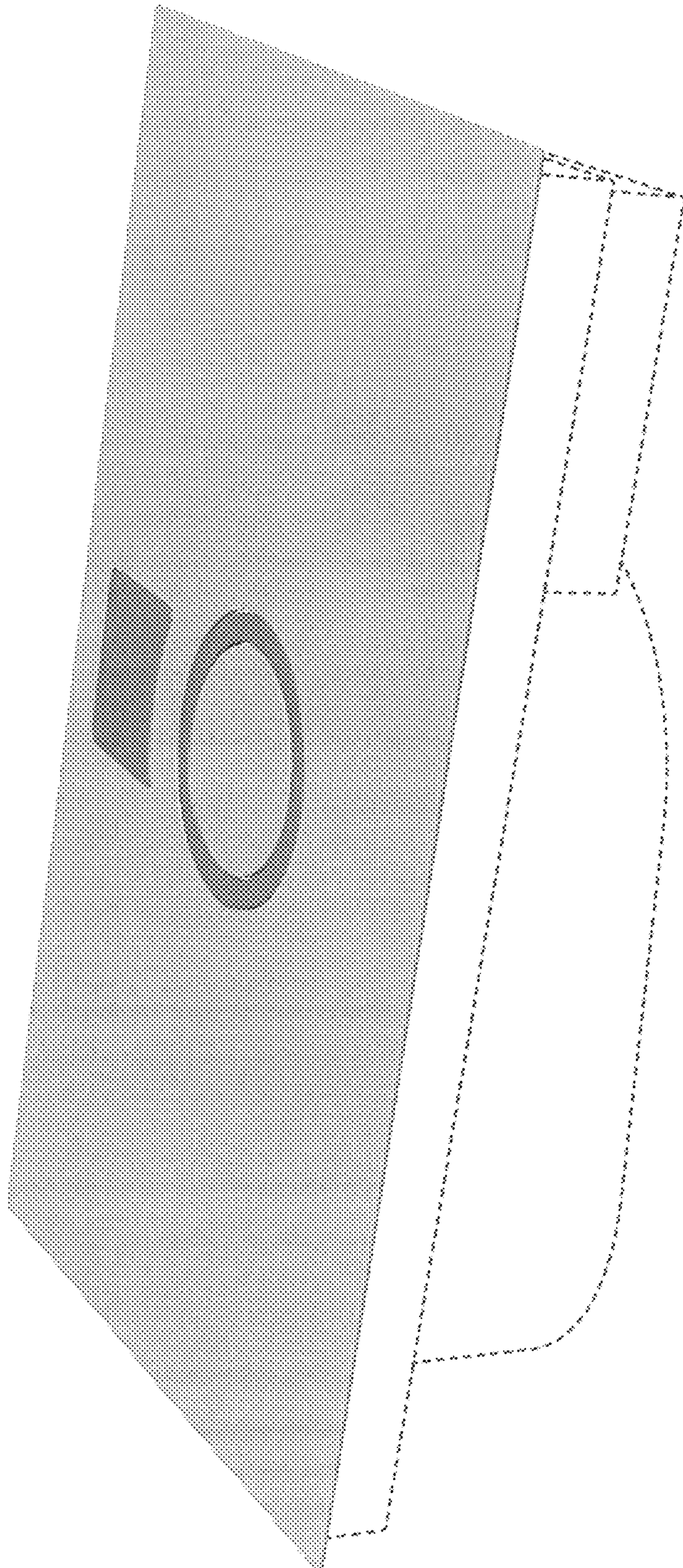


FIG. 1

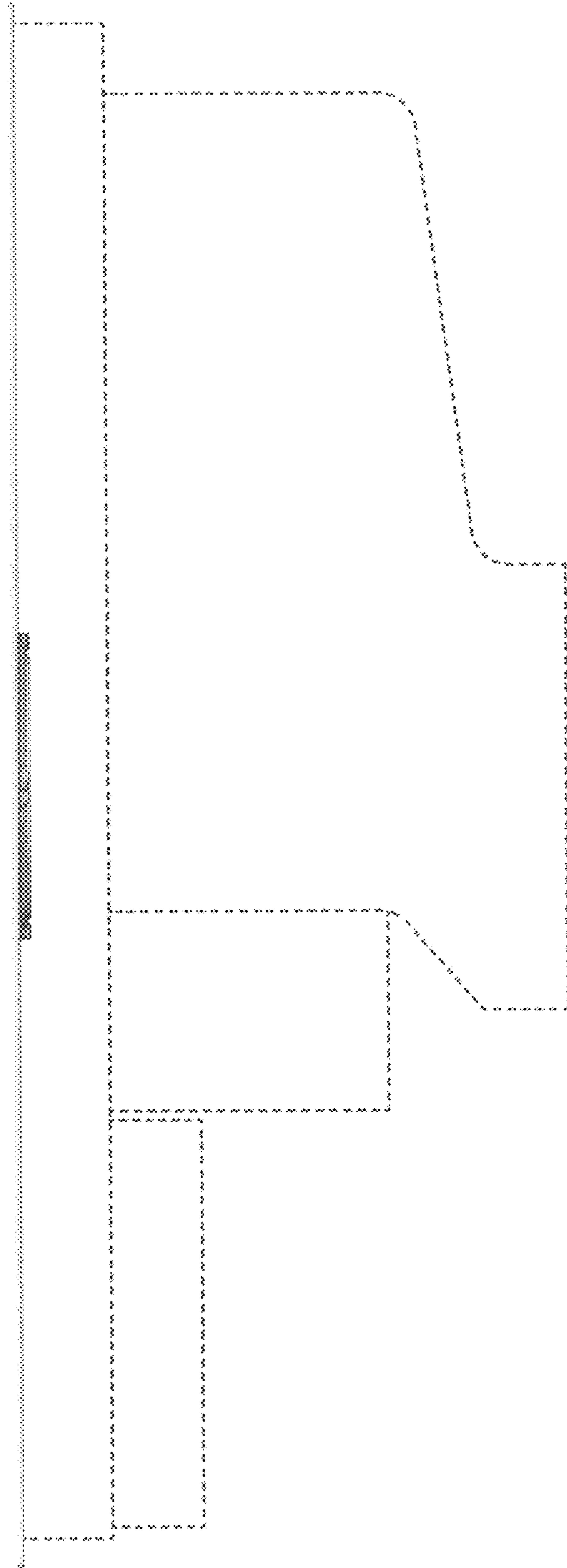


FIG. 2

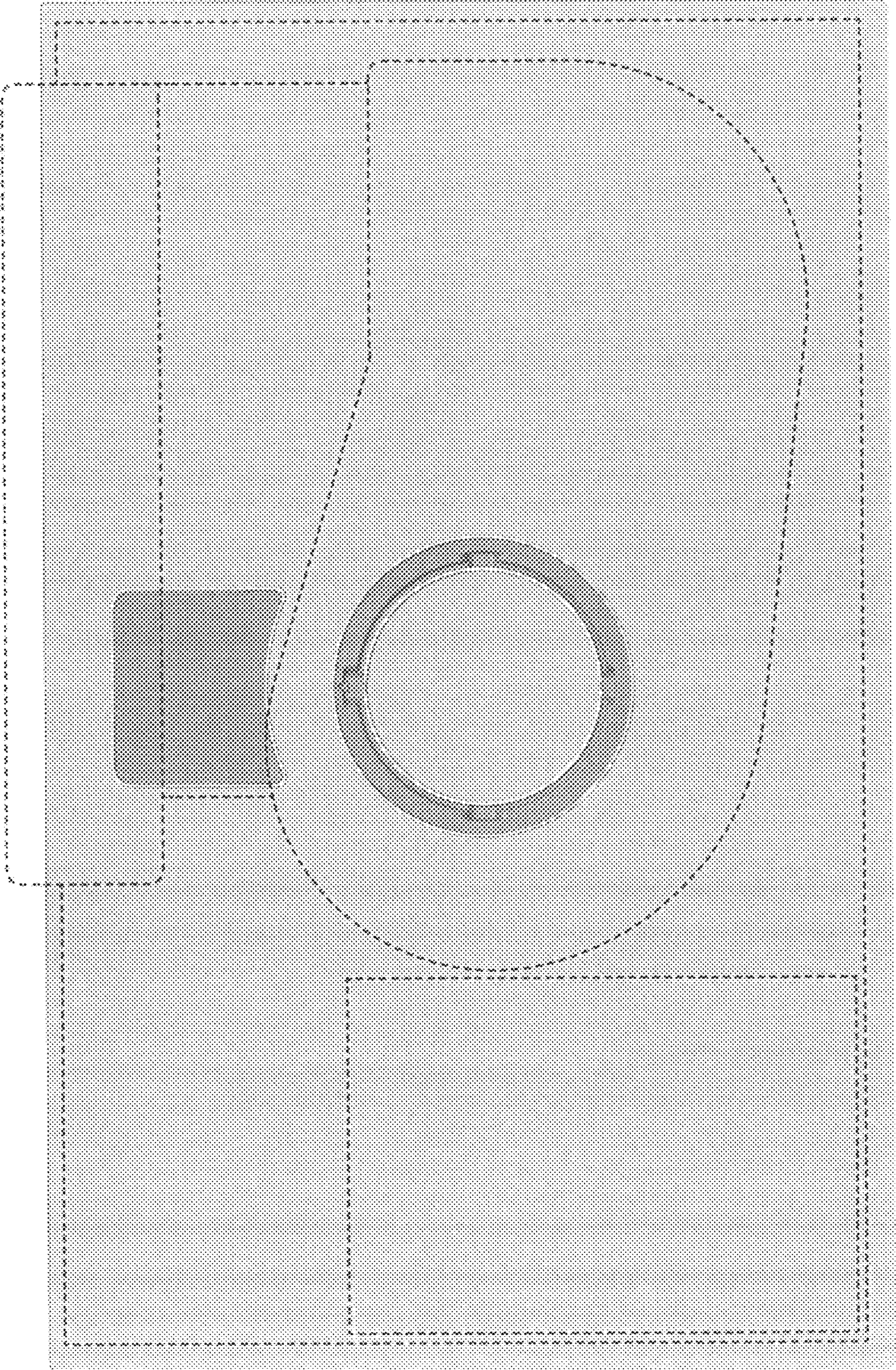


FIG. 3

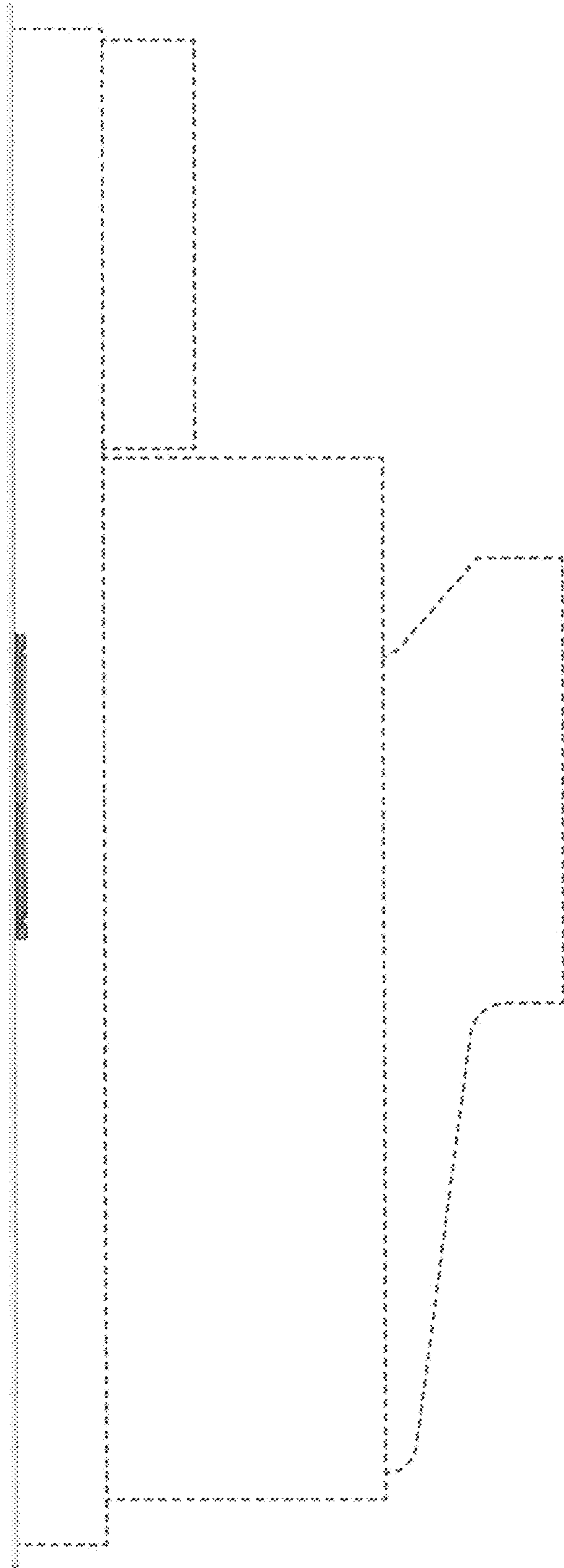


FIG. 4

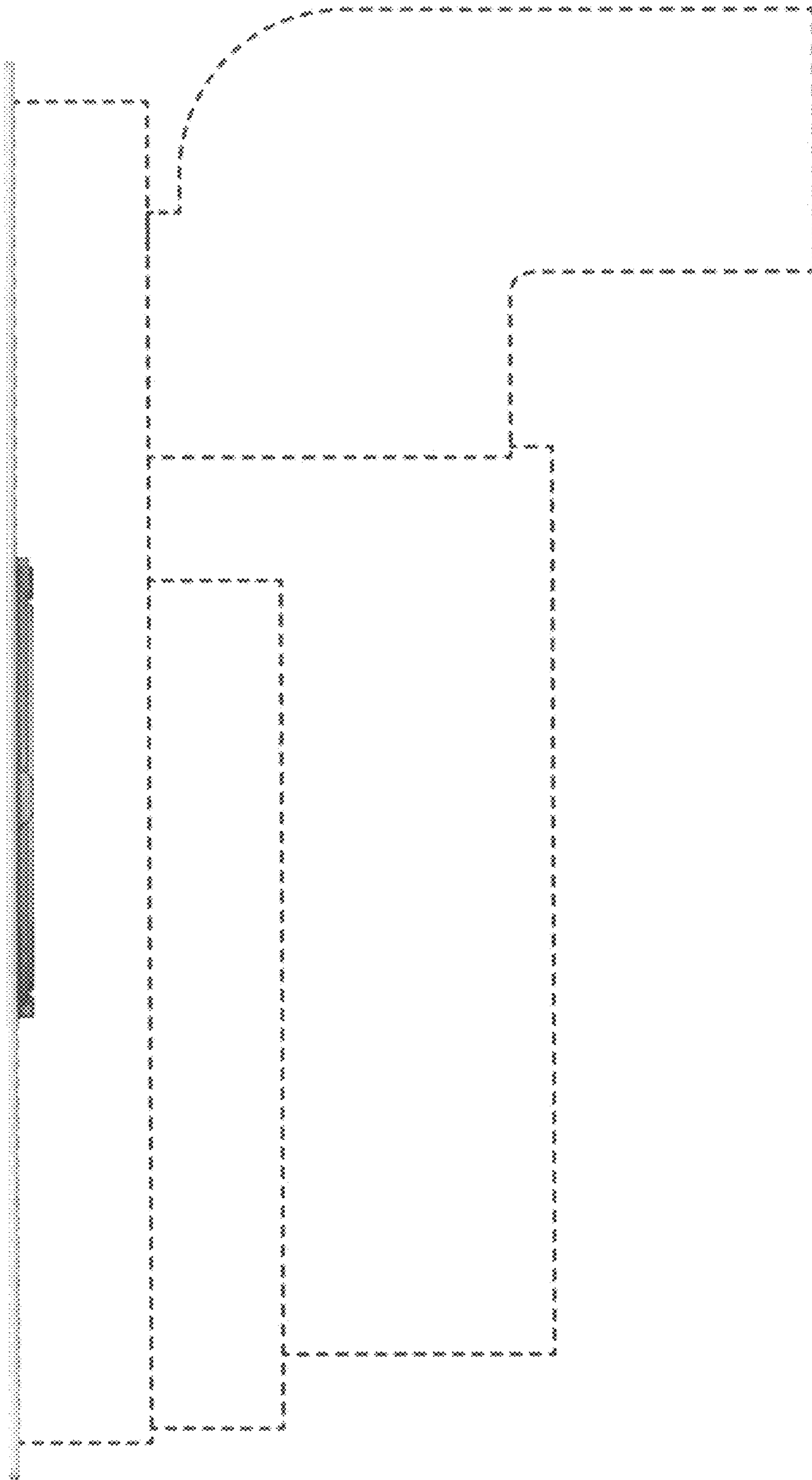


FIG. 5

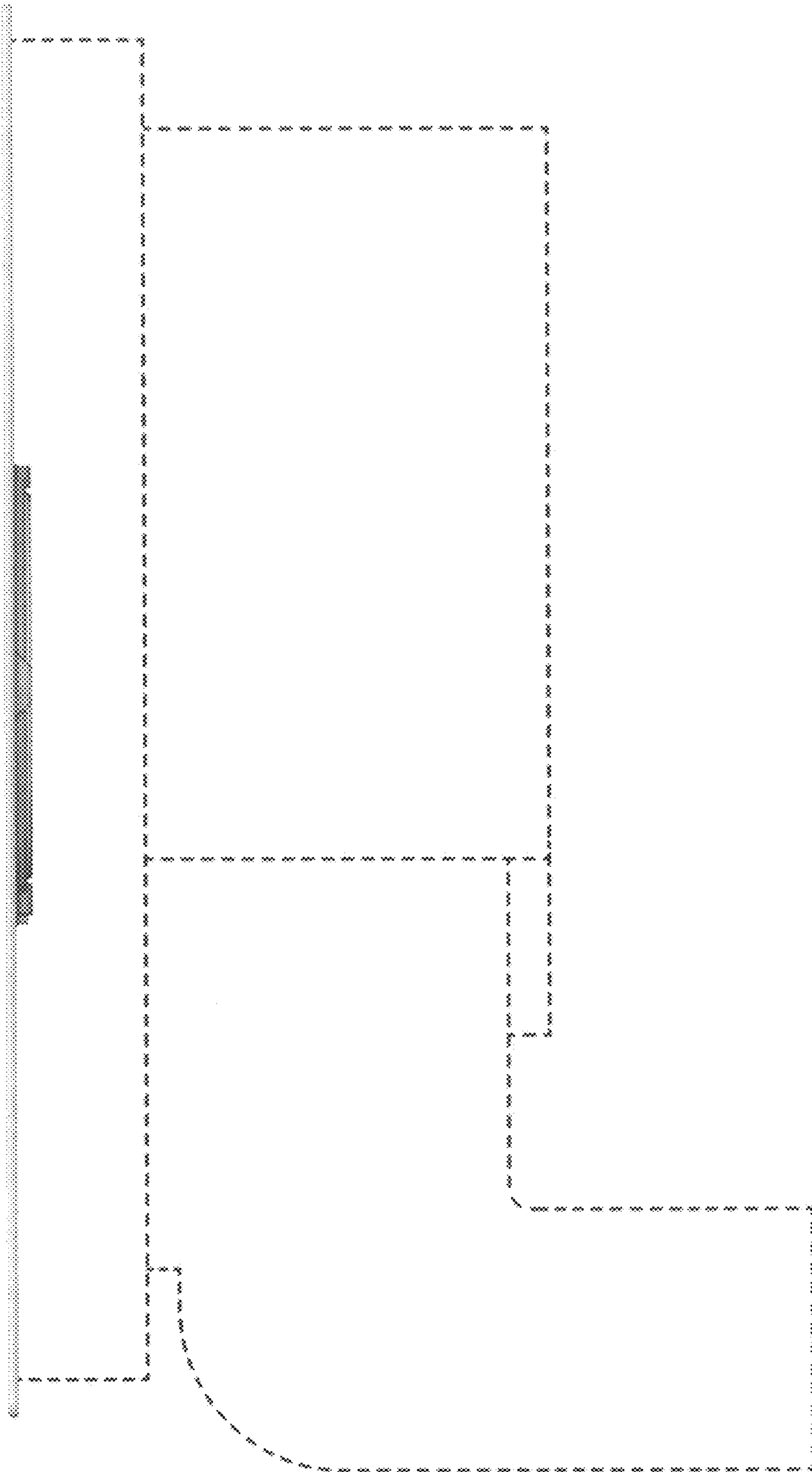


FIG. 6



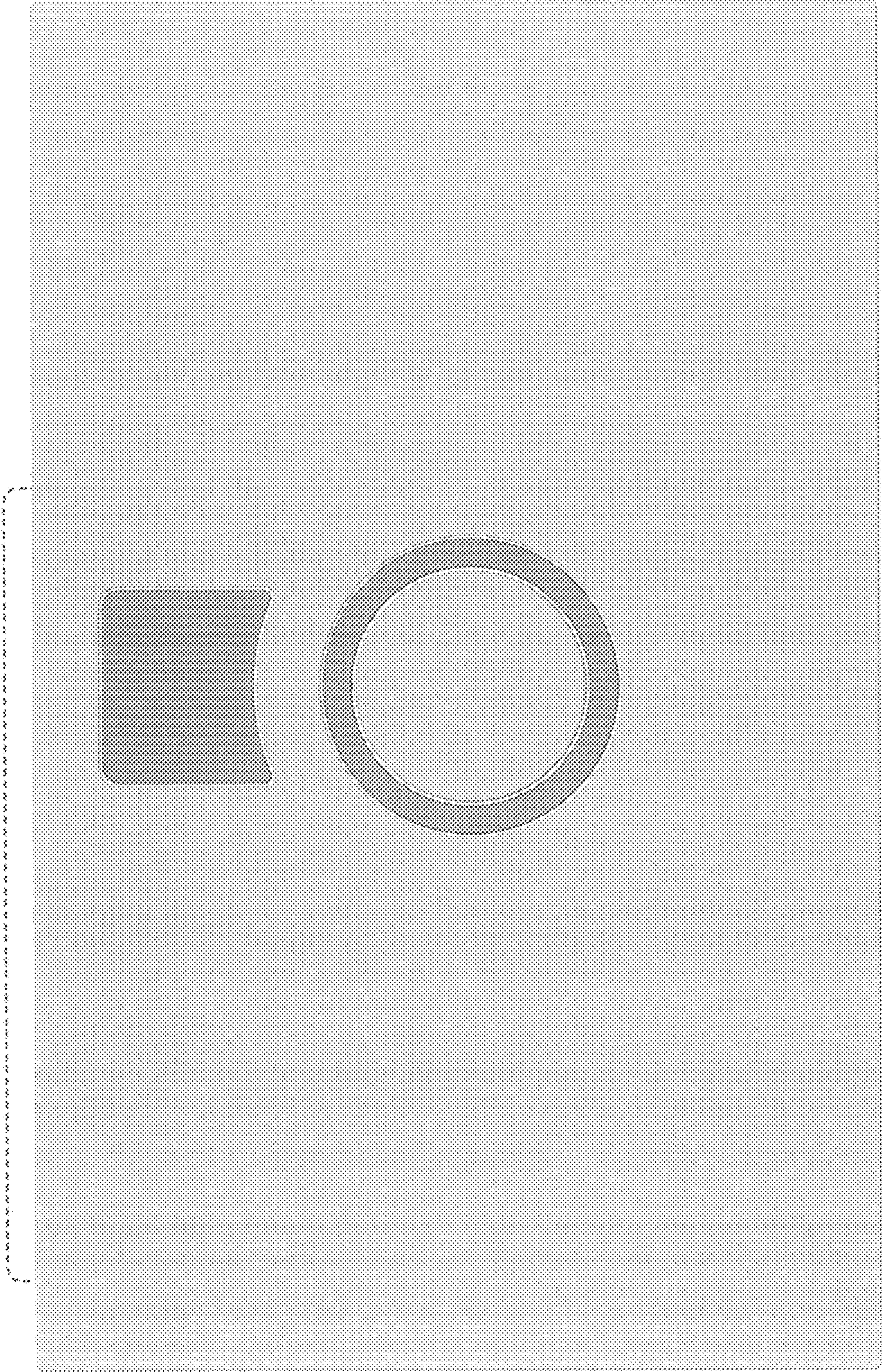


FIG. 7

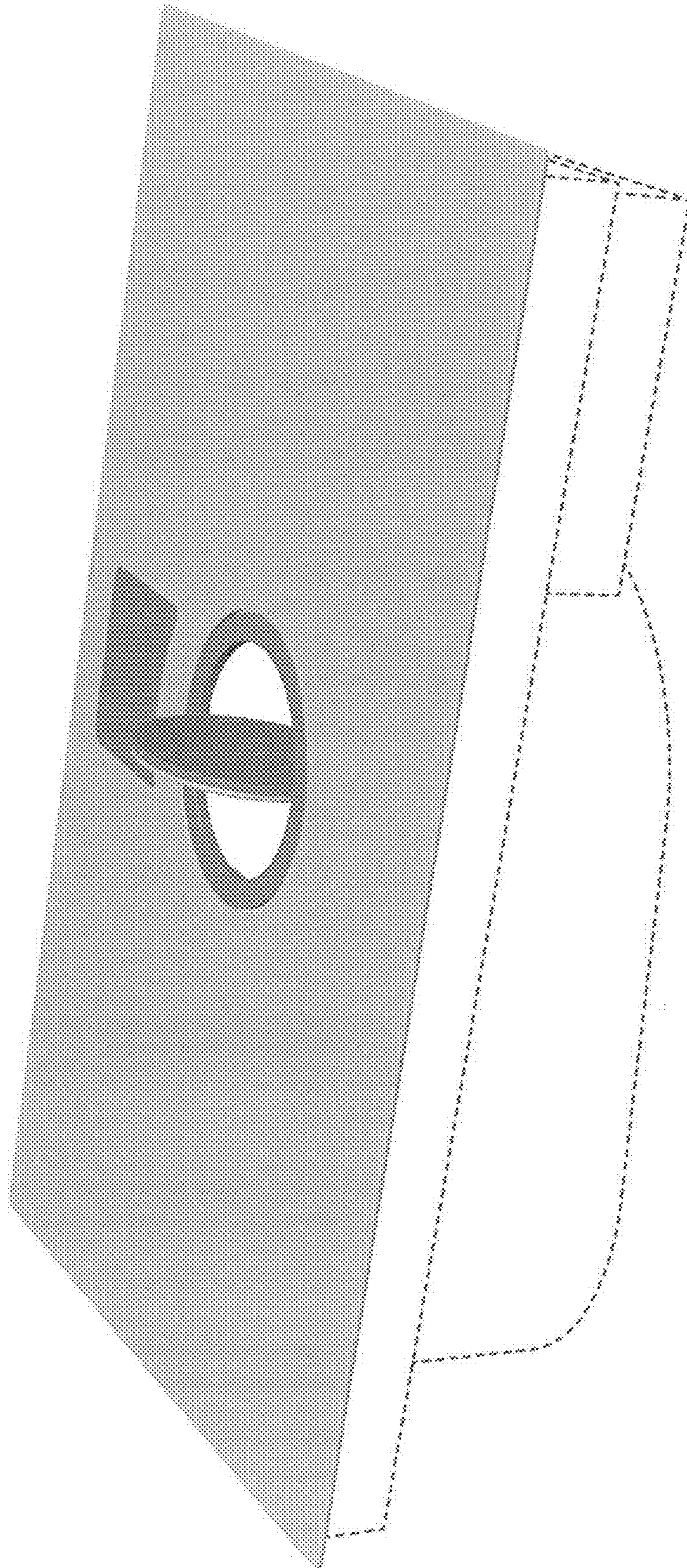


FIG. 8

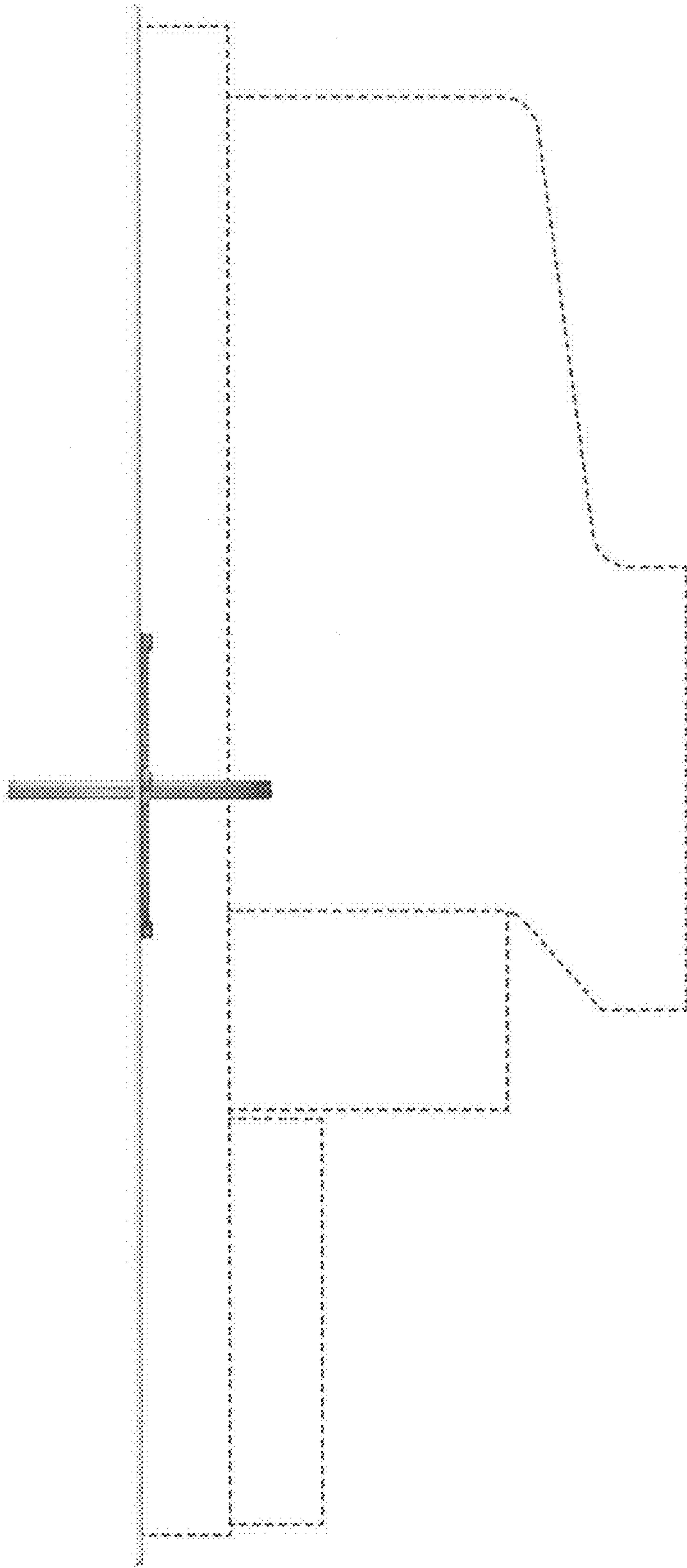


FIG. 9

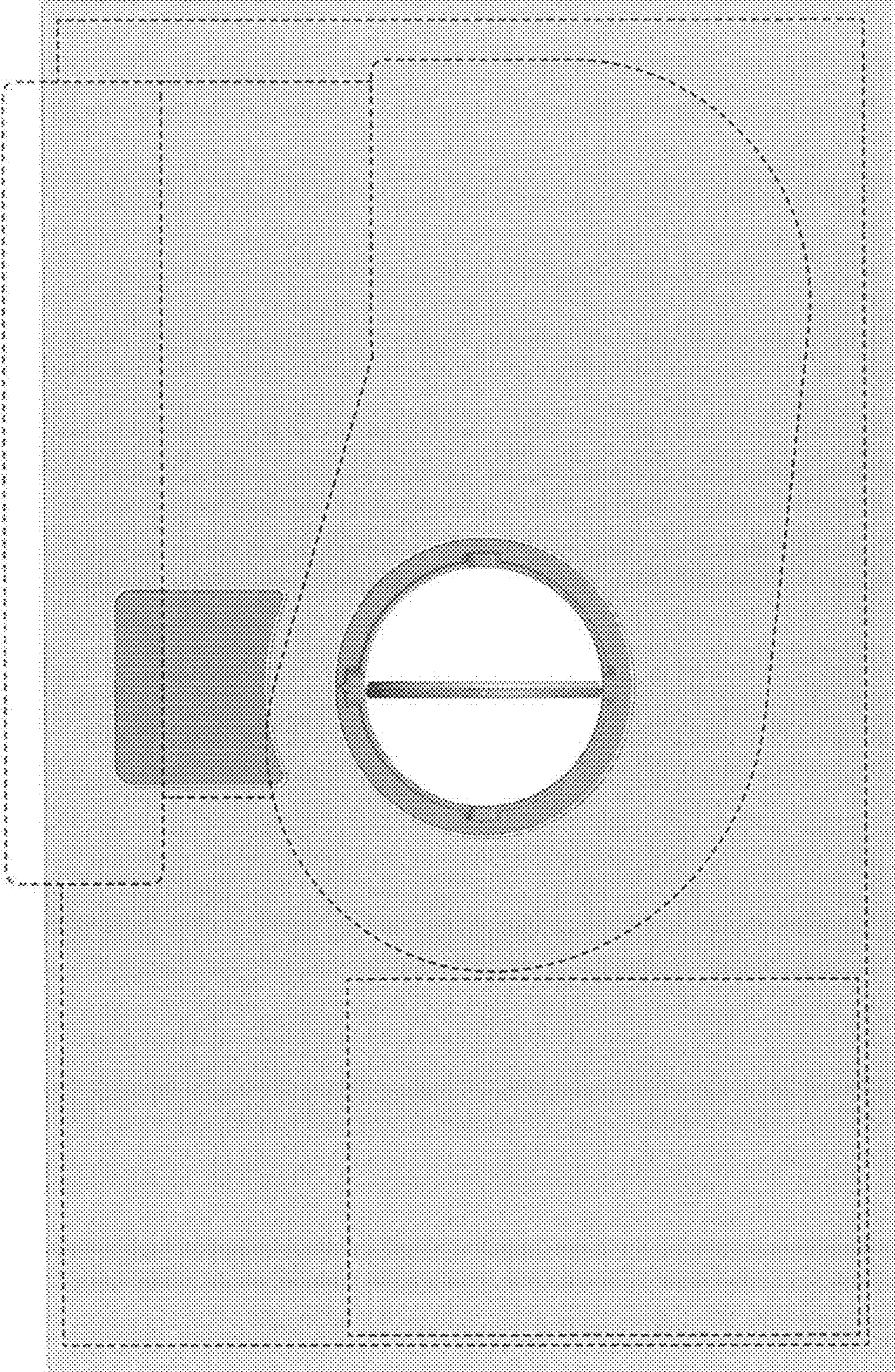


FIG. 10

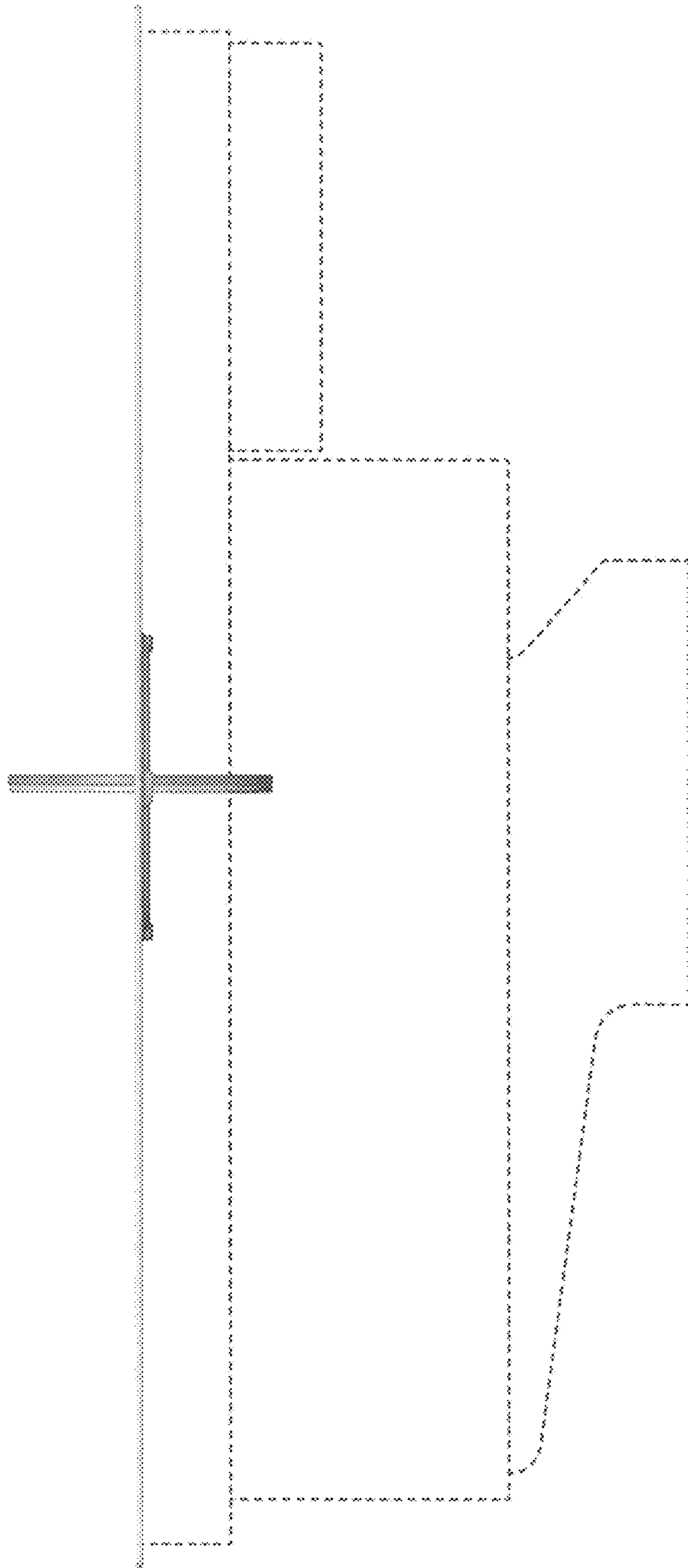


FIG. 11

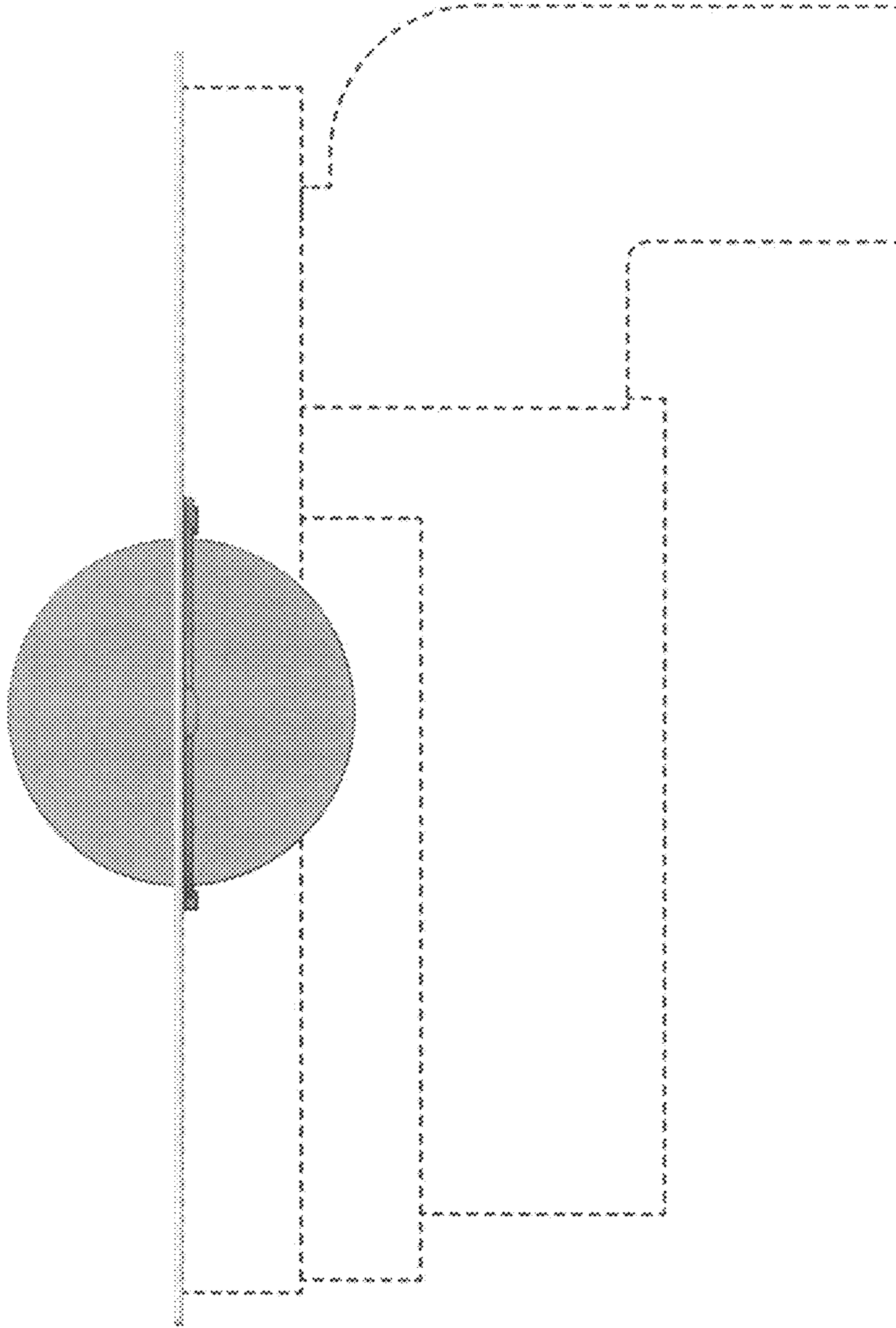


FIG. 12

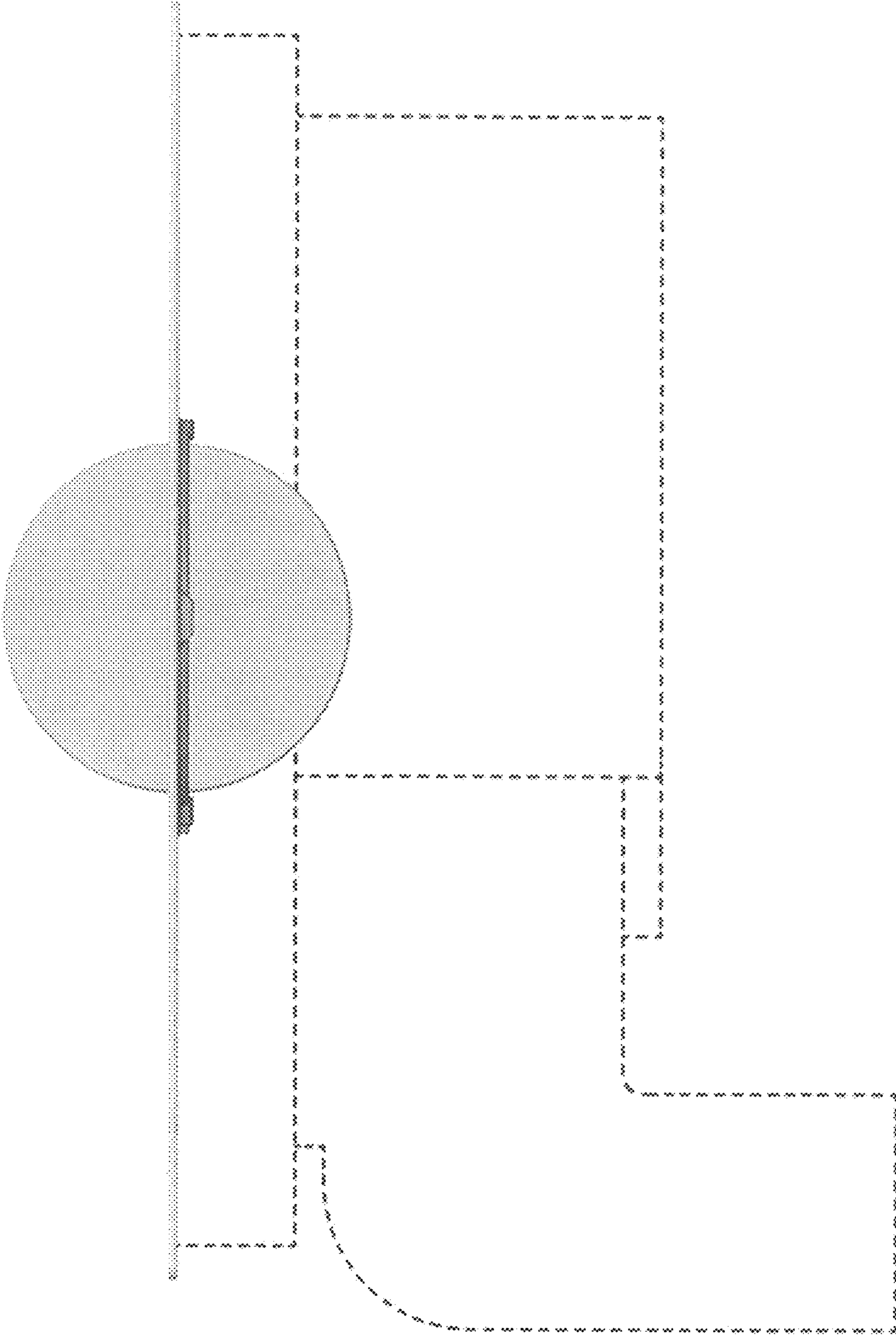


FIG. 13

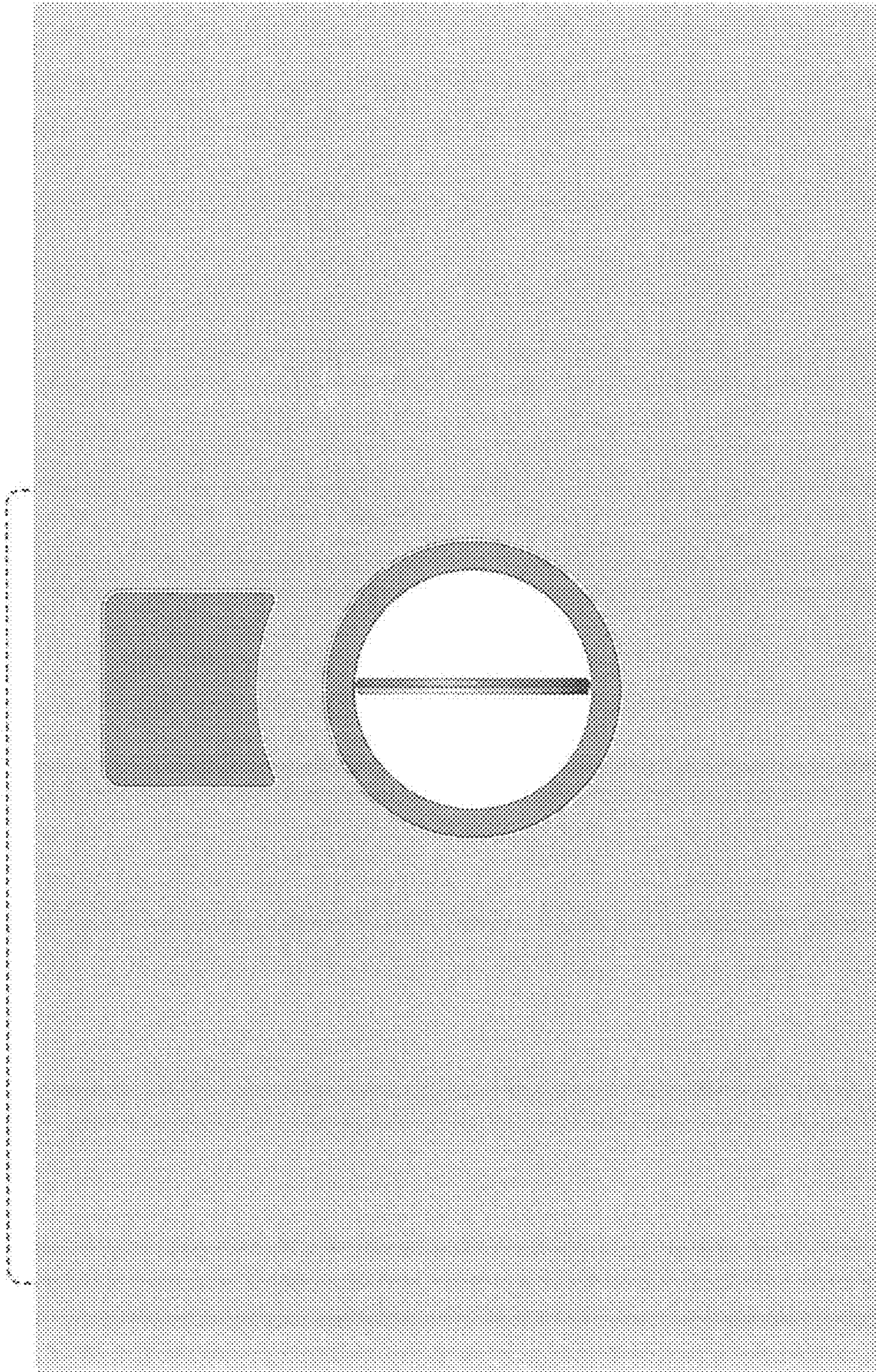


FIG. 14