



US00D912232S

(12) **United States Design Patent**
Goad

(10) **Patent No.:** **US D912,232 S**
(45) **Date of Patent:** **** Mar. 2, 2021**

- (54) **TOILET TANK**
- (71) Applicant: **Kohler Co.**, Kohler, WI (US)
- (72) Inventor: **Robin Goad**, Sheboygan, WI (US)
- (73) Assignee: **Kohler Co.**, Kohler, WI (US)
- (**) Term: **15 Years**
- (21) Appl. No.: **29/736,073**
- (22) Filed: **May 27, 2020**

- D514,208 S 1/2006 Gordon
- D514,673 S 2/2006 Lanius
- D515,186 S 2/2006 Lanius
- D529,153 S 9/2006 Gordon
- D585,128 S 1/2009 Slothower
- D608,430 S 1/2010 Slothower
- D637,703 S 5/2011 Corpuz
- D639,918 S 6/2011 Bates
- D641,459 S 7/2011 Corpuz, Jr.
- D649,627 S 11/2011 Corpuz, Jr.
- D678,490 S 3/2013 Corpuz, Jr.

Primary Examiner — Robert A Delehanty
(74) *Attorney, Agent, or Firm* — Lempia Summerfield Katz LLC

Related U.S. Application Data

- (62) Division of application No. 29/663,998, filed on Sep. 20, 2018, now Pat. No. Des. 893,689.
- (51) **LOC (13) Cl.** **23-02**
- (52) **U.S. Cl.**
USPC **D23/313**
- (58) **Field of Classification Search**
USPC D23/295, 301, 303, 310, 313
CPC A47K 11/00
See application file for complete search history.

(57) **CLAIM**

I claim the ornamental design for a toilet tank, as shown and described.

DESCRIPTION

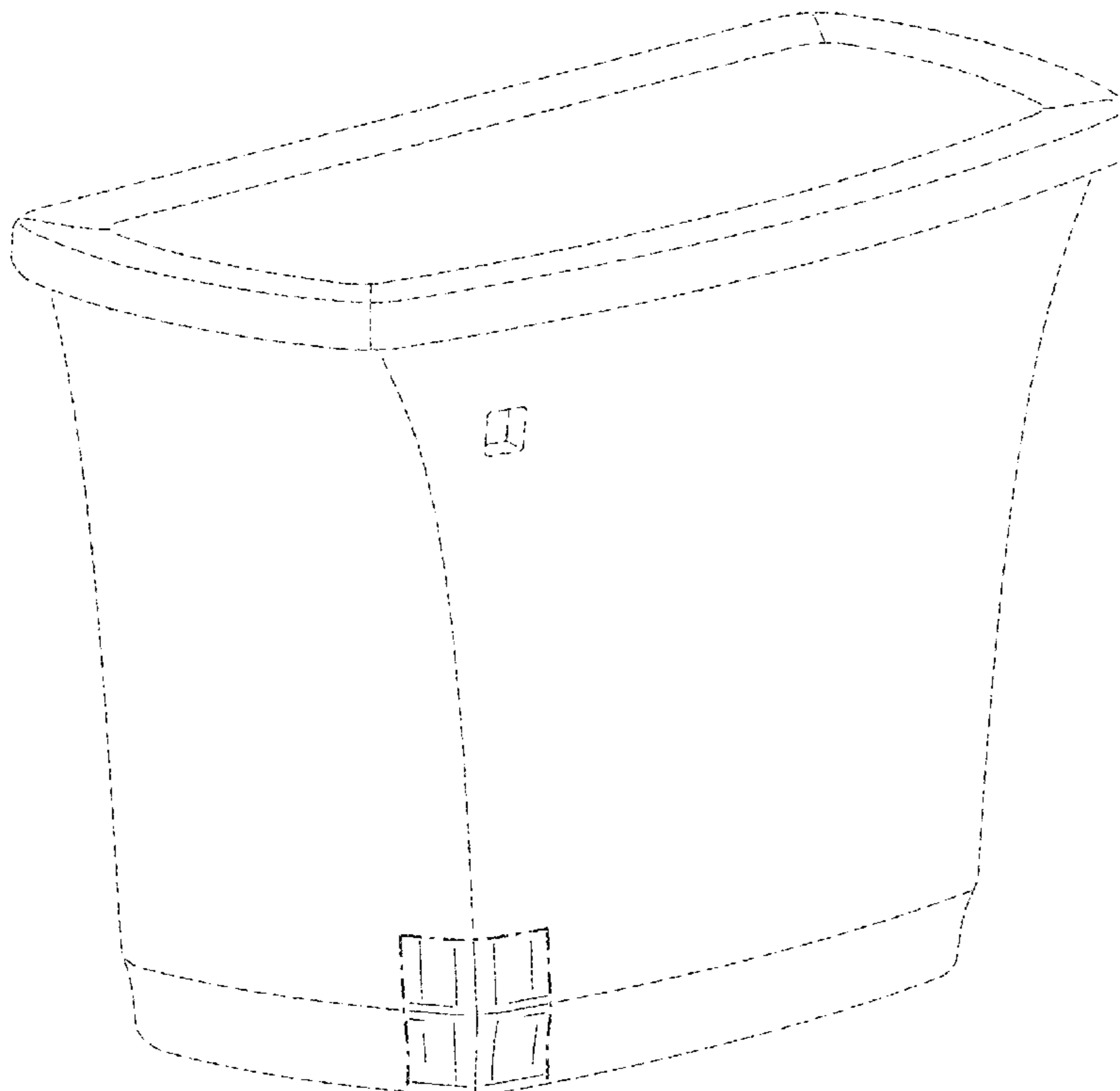
FIG. 1 is a perspective view of another embodiment of the claimed design;
FIG. 2 is a front view of the embodiment of FIG. 1;
FIG. 3 is a rear view of the embodiment of FIG. 1;
FIG. 4 is a side view of the embodiment of FIG. 1;
FIG. 5 is another side view of the embodiment of FIG. 1;
FIG. 6 is a top view of the embodiment of FIG. 1; and,
FIG. 7 is a bottom view of the embodiment of FIG. 1.
The ornamental design which is claimed is shown in solid lines in the drawings. The broken lines in the drawings are for illustrative purposes only and form no part of the claimed design. Broken lines formed of unequal length dashes (i.e., dash-dot) define bounds of the claimed design.

(56) **References Cited**

U.S. PATENT DOCUMENTS

- D379,217 S 5/1997 Kergoet
- D390,933 S 2/1998 Slothower
- D415,583 S 10/1999 Byers
- D441,437 S 5/2001 McKeone
- D451,175 S 11/2001 Smith
- D471,621 S 3/2003 Bennie

1 Claim, 5 Drawing Sheets



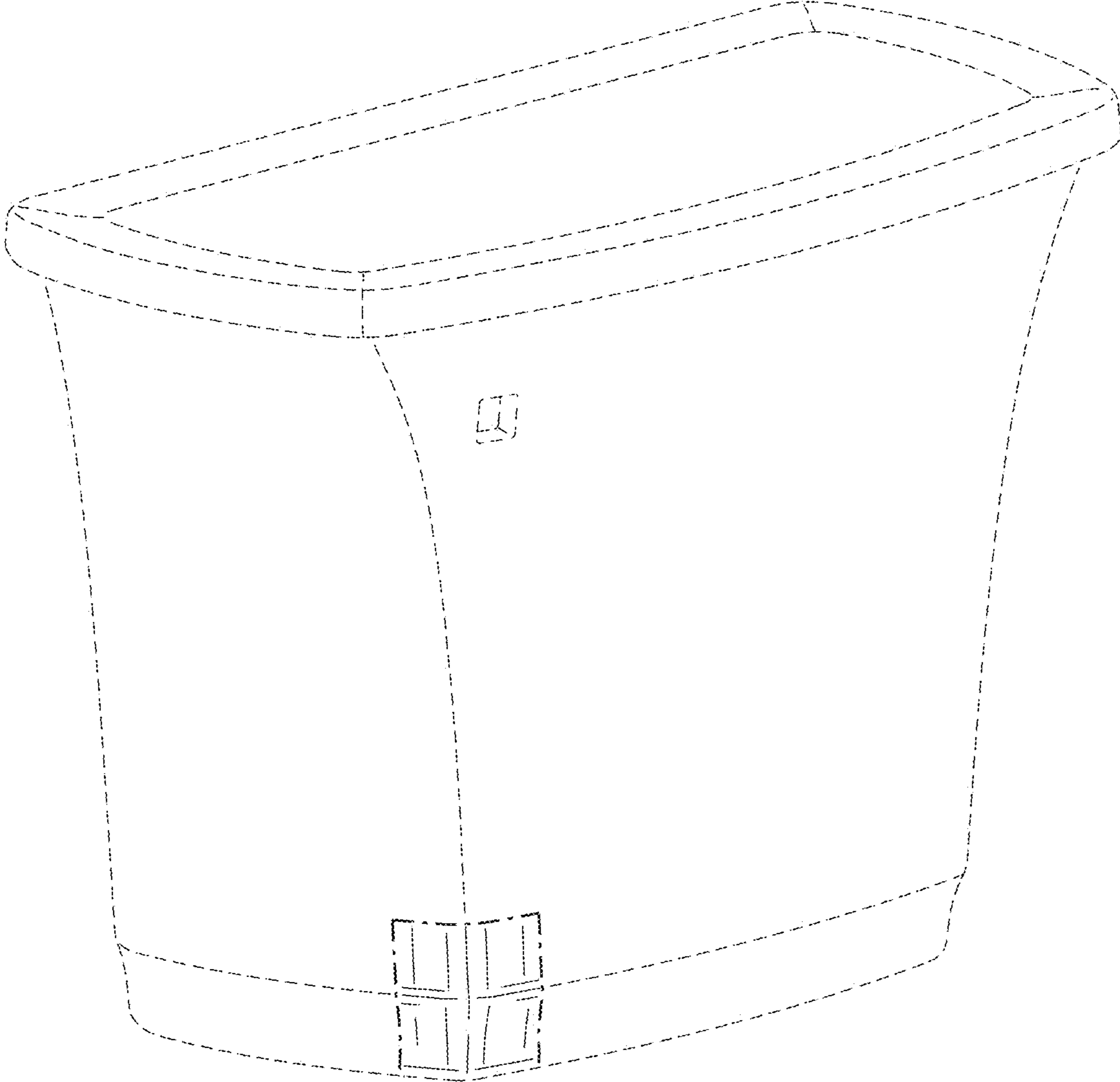


FIG. 1

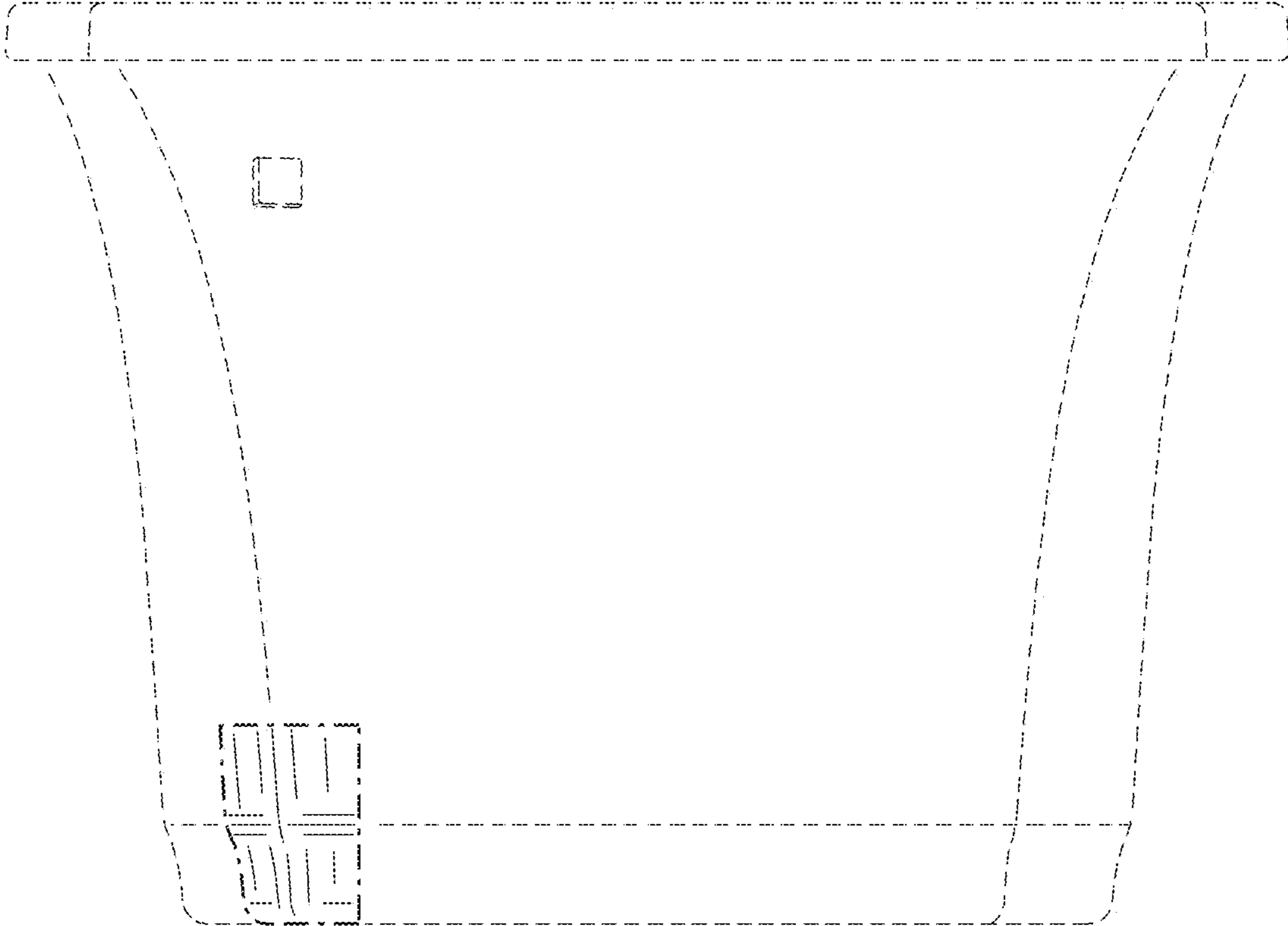


FIG. 2

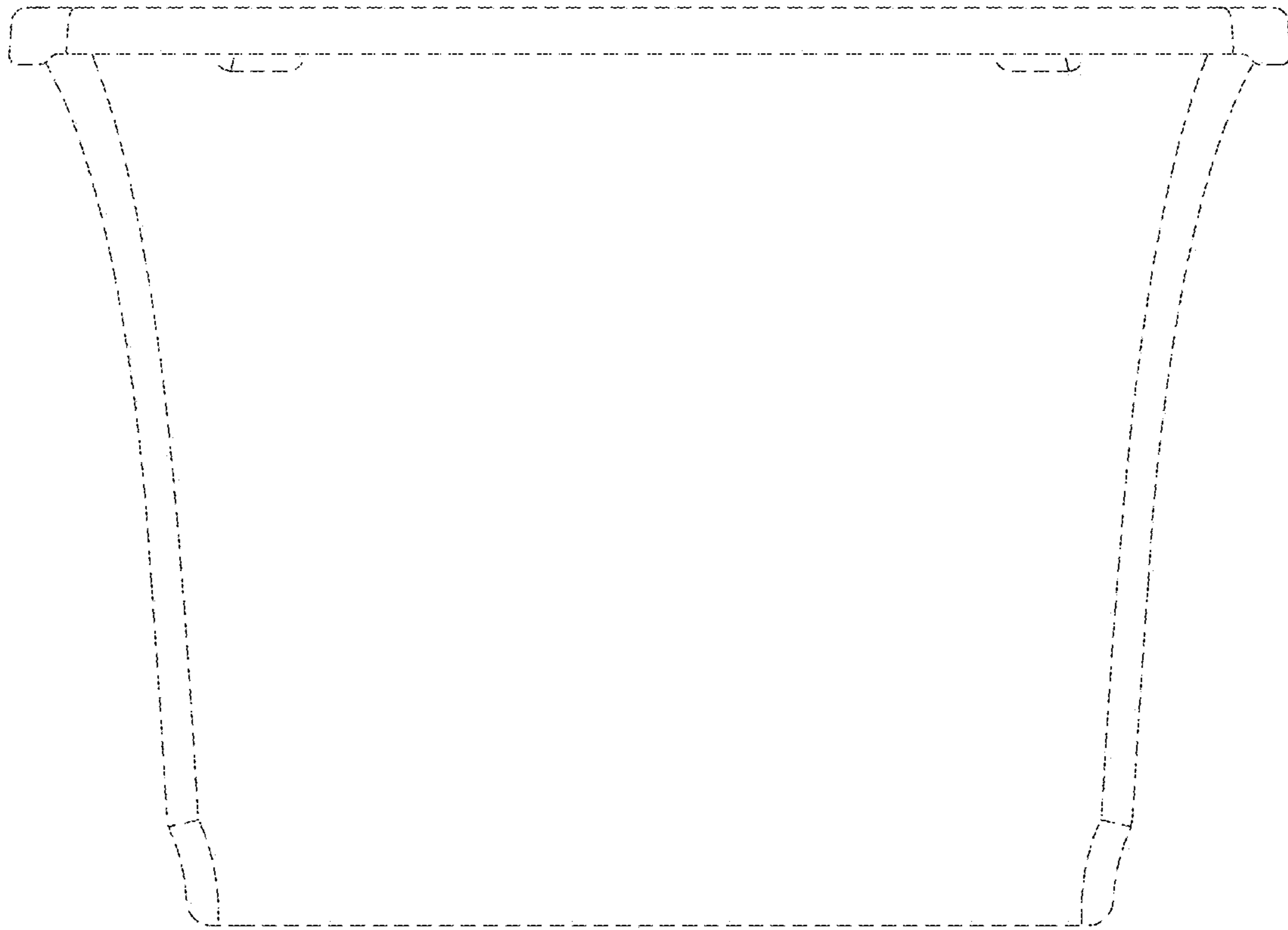


FIG. 3

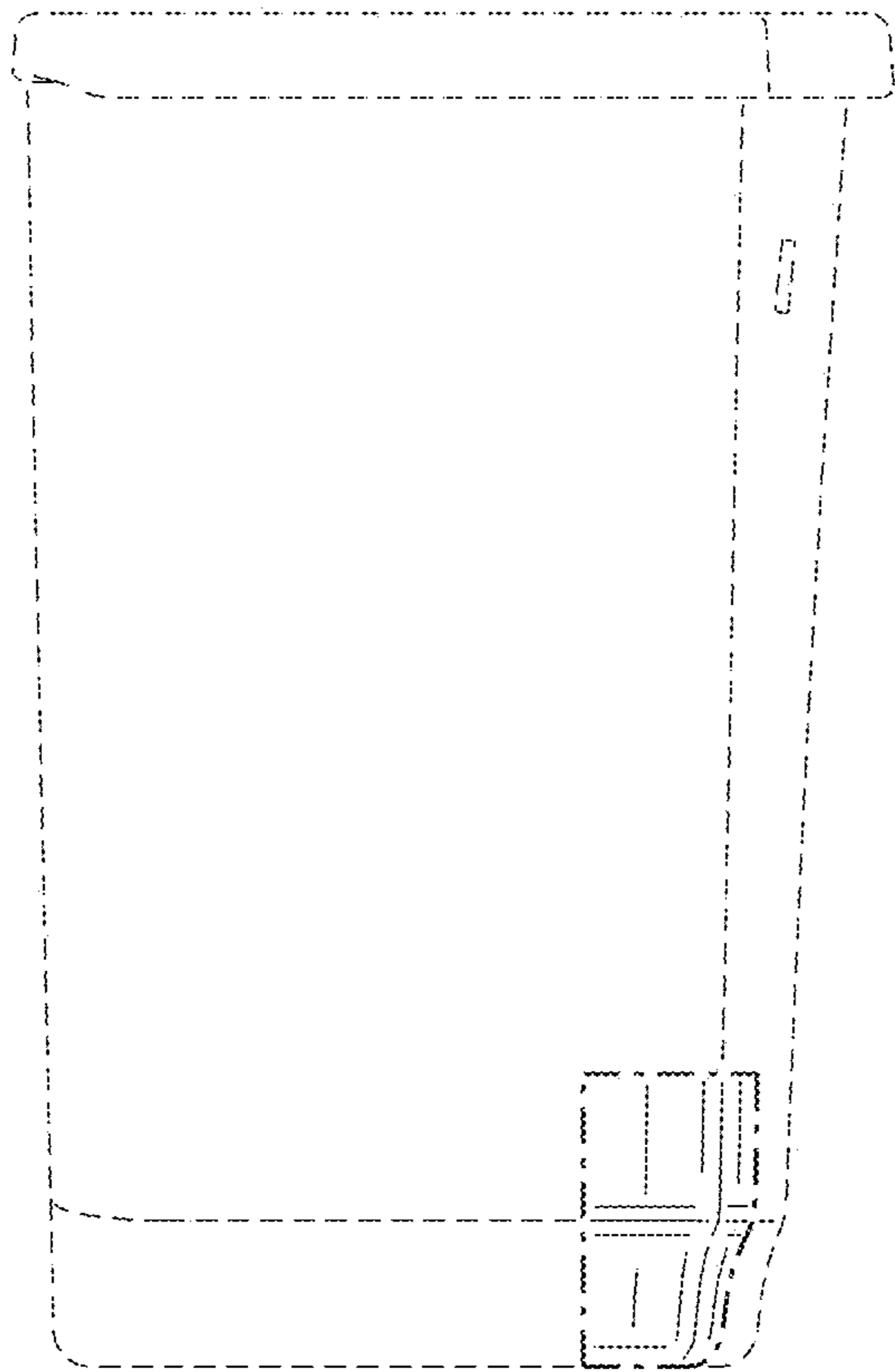


FIG. 4

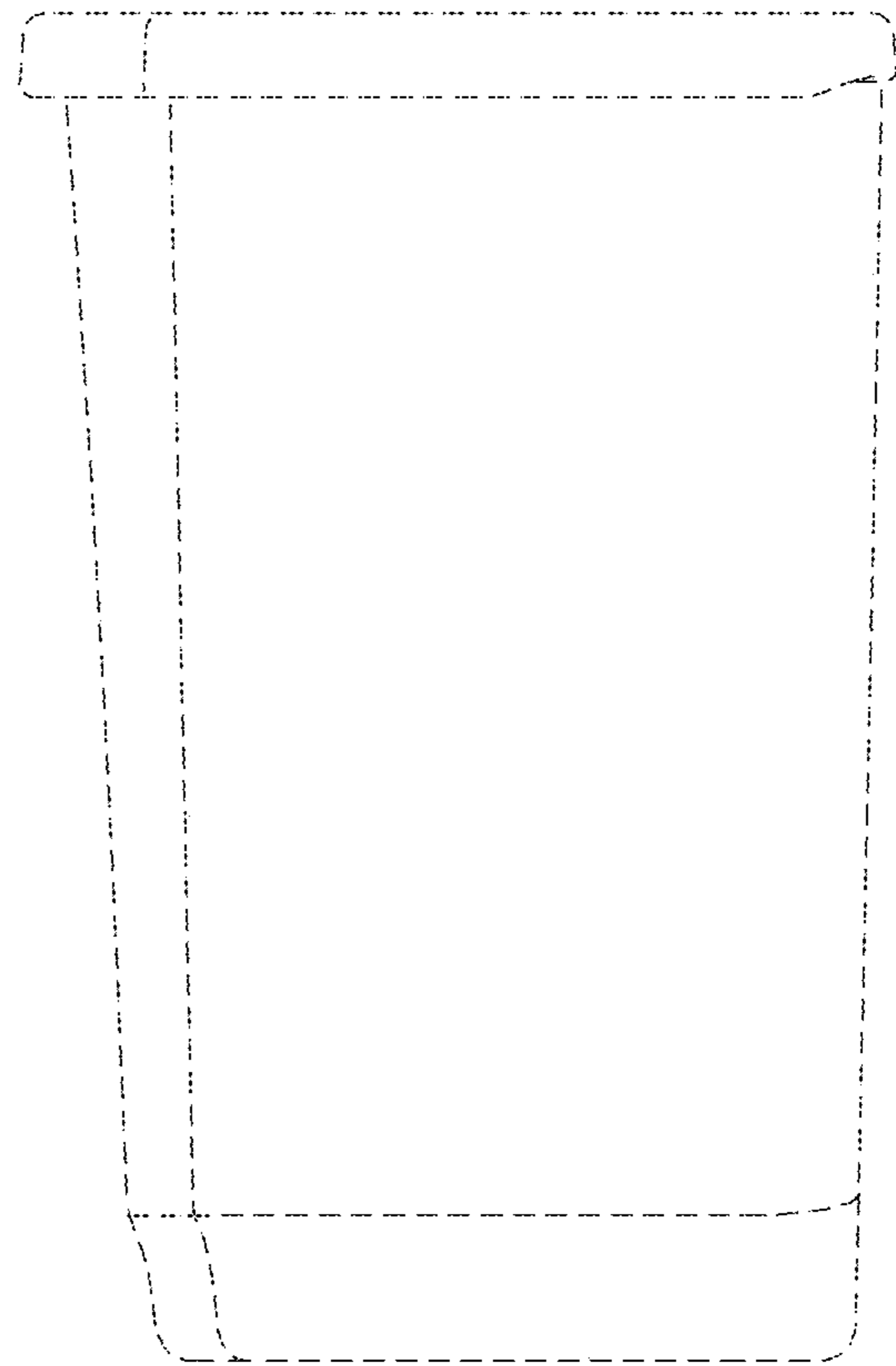


FIG. 5

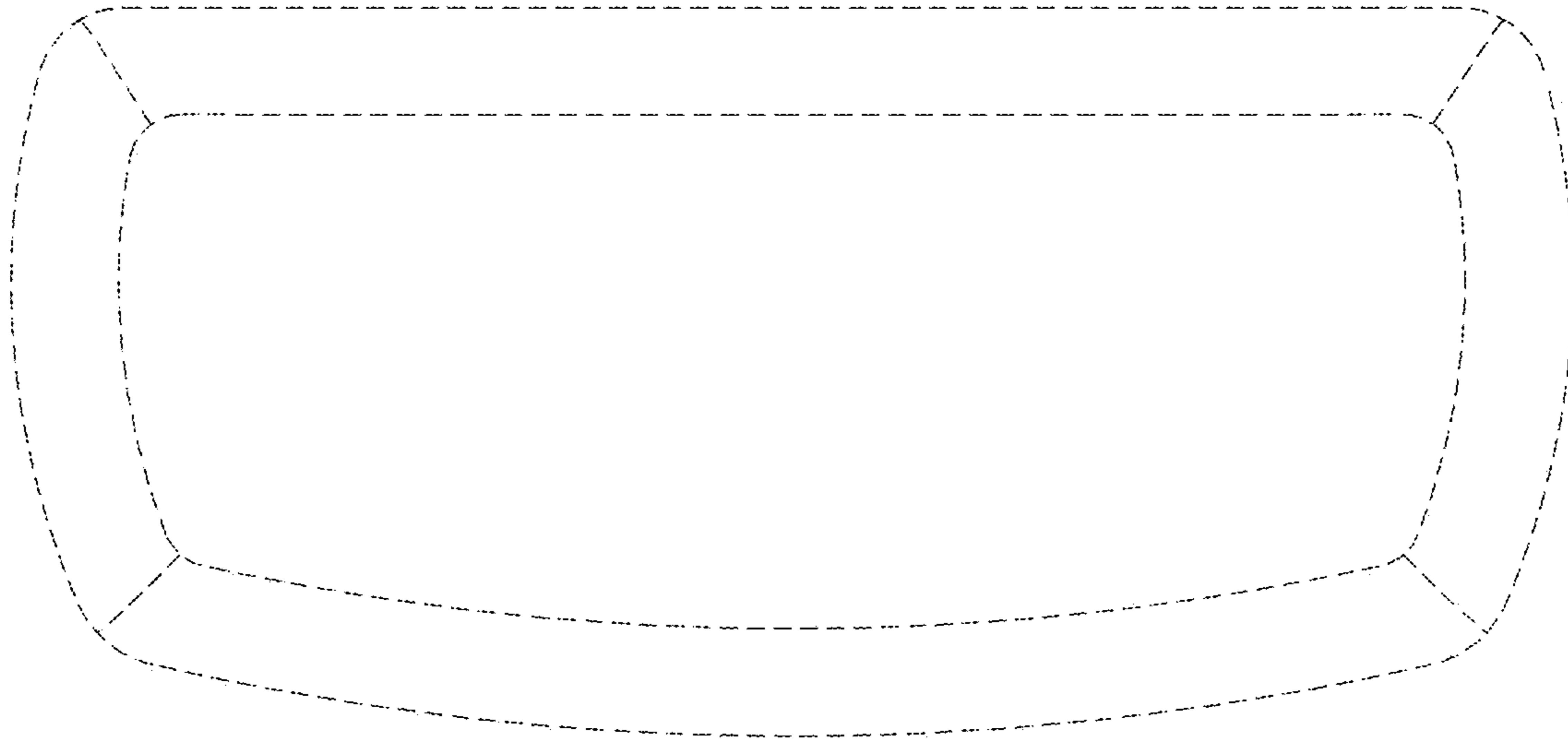


FIG. 6

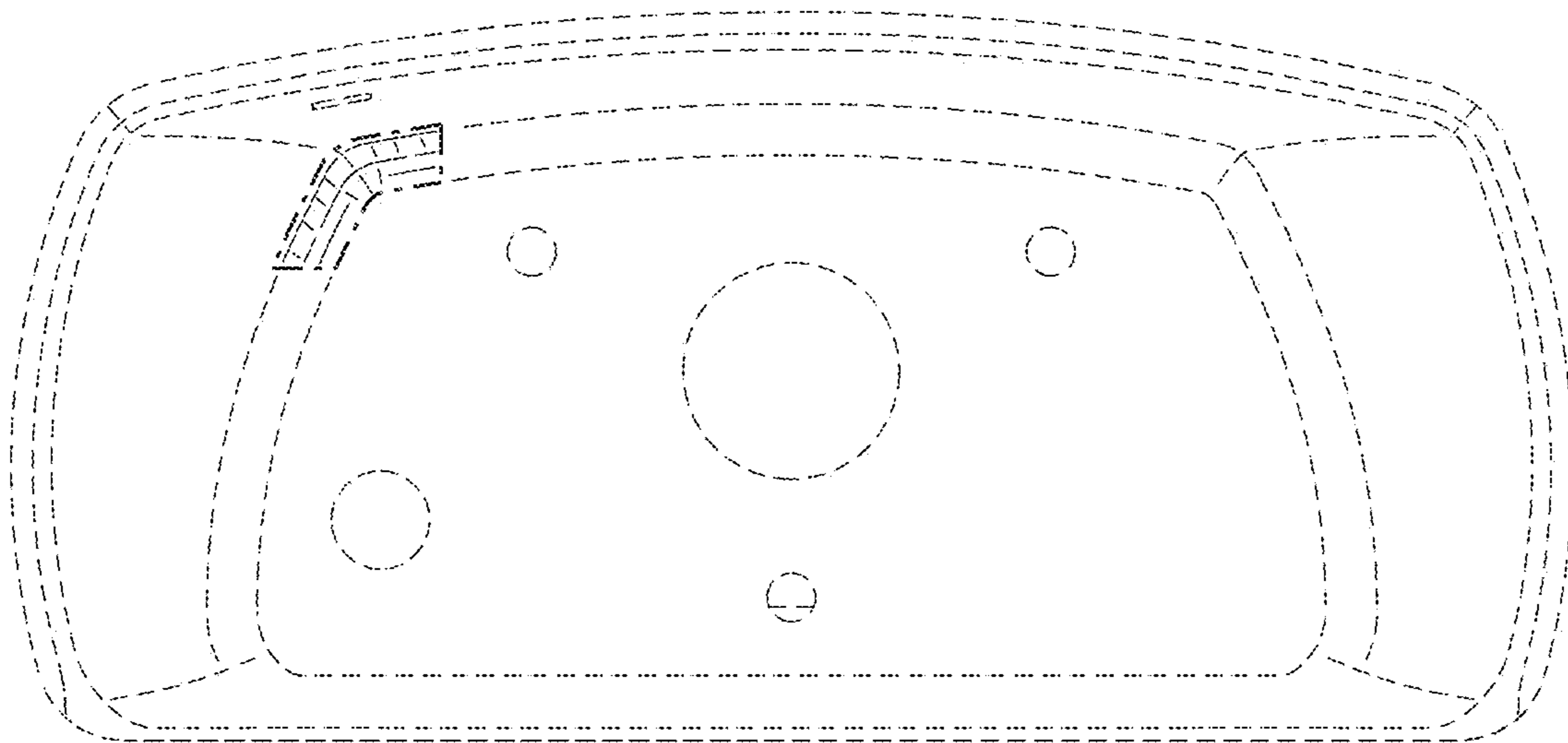


FIG. 7