



US00D912231S

(12) **United States Design Patent**
Uceda

(10) **Patent No.:** **US D912,231 S**
(45) **Date of Patent:** **** Mar. 2, 2021**

(54) **TOILET**

D697,599 S 1/2014 Bates
D725,248 S 3/2015 Bates
D743,516 S 11/2015 Bates
D806,842 S 1/2018 Goad

(71) Applicant: **Kohler Co.**, Kohler, WI (US)

(72) Inventor: **Carlos F. Uceda**, Sheboygan, WI (US)

(73) Assignee: **Kohler Co.**, Kohler, WI (US)

(**) Term: **15 Years**

(21) Appl. No.: **29/735,912**

(22) Filed: **May 26, 2020**

Primary Examiner — Robert A Delehanty
(74) *Attorney, Agent, or Firm* — Lempia Summerfield
Katz LLC

(57) **CLAIM**

I claim the ornamental design for a toilet, as shown and described.

DESCRIPTION

FIG. 1 is a top, front, left perspective view of another embodiment of the claimed design;
FIG. 2 is a left side elevation view thereof;
FIG. 3 is a right side elevation view thereof;
FIG. 4 is a front elevation view thereof;
FIG. 5 is a rear elevation view thereof;
FIG. 6 is a top plan view thereof; and,
FIG. 7 is a bottom plan view thereof.

The ornamental design which is claimed is shown in solid lines in the drawings. The broken lines in the drawings are for illustrative purposes only and form no part of the claimed design. Broken lines formed by equal length dashes show unclaimed subject matter. Broken lines formed by unequal length dashes (i.e., dash-dot) define bounds of the claimed design. Broken away symbols having a jagged element are not part of the claimed design and show unspecified lengths of the portion are possible and that no particular length of the portion is being claimed. Such break lines illustrate a symbolic break in length, and the appearance of any portion of the article between the break lines forms no part of the claimed design.

Related U.S. Application Data

(62) Division of application No. 29/662,925, filed on Sep. 10, 2018, now Pat. No. Des. 892,285.

(51) **LOC (13) Cl.** **23-02**

(52) **U.S. Cl.**
USPC **D23/301**

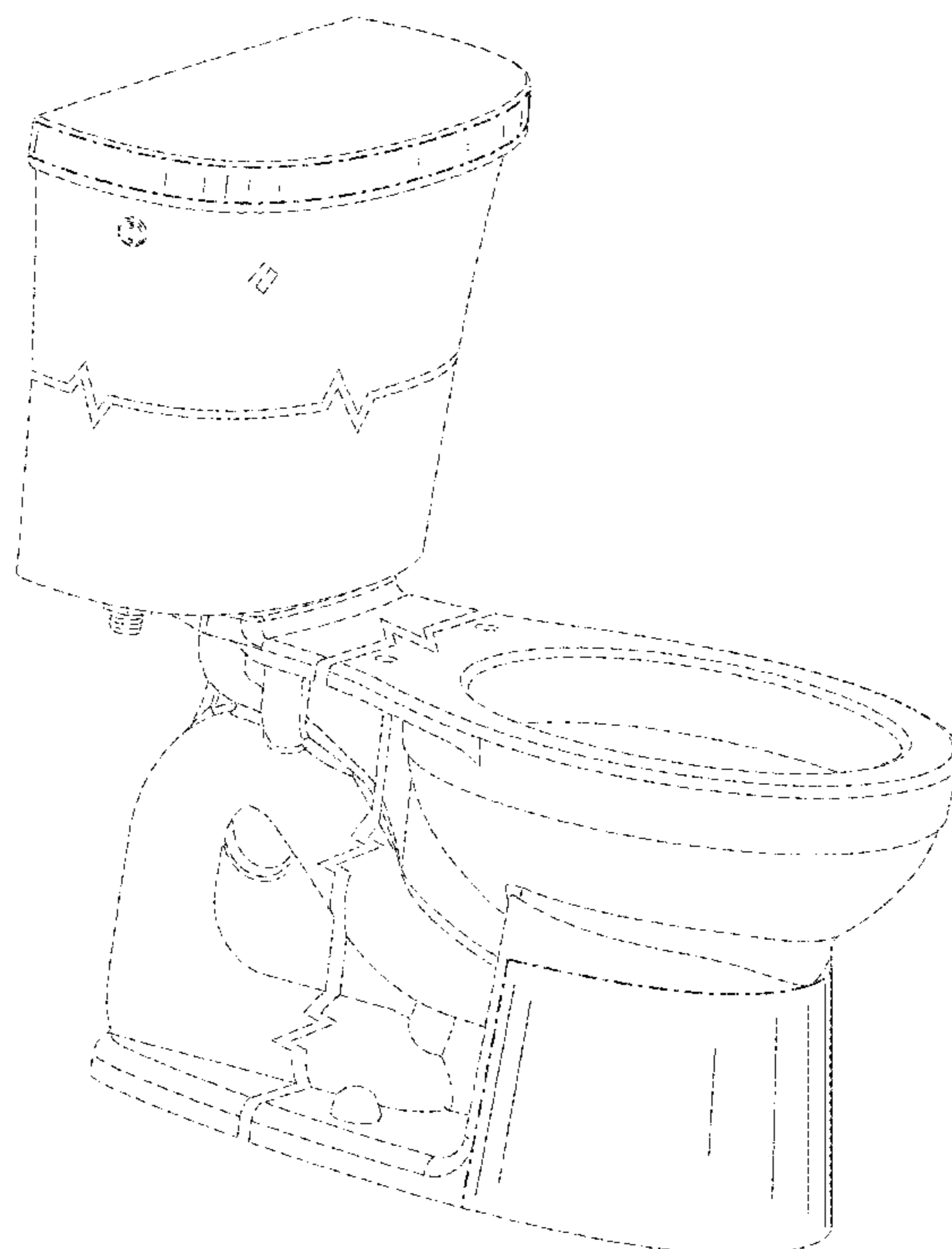
(58) **Field of Classification Search**
USPC D23/295, 301, 303, 310, 313
CPC A47K 11/00
See application file for complete search history.

(56) **References Cited**

U.S. PATENT DOCUMENTS

D347,054 S	5/1994	Kohler
D397,214 S	8/1998	Felker
D507,335 S	7/2005	Gordon
D514,208 S	1/2006	Gordon
D532,875 S	11/2006	Kaule
D647,184 S	10/2011	Bates
D662,575 S	6/2012	Corpuz, Jr.
D690,402 S	9/2013	Bates

1 Claim, 7 Drawing Sheets



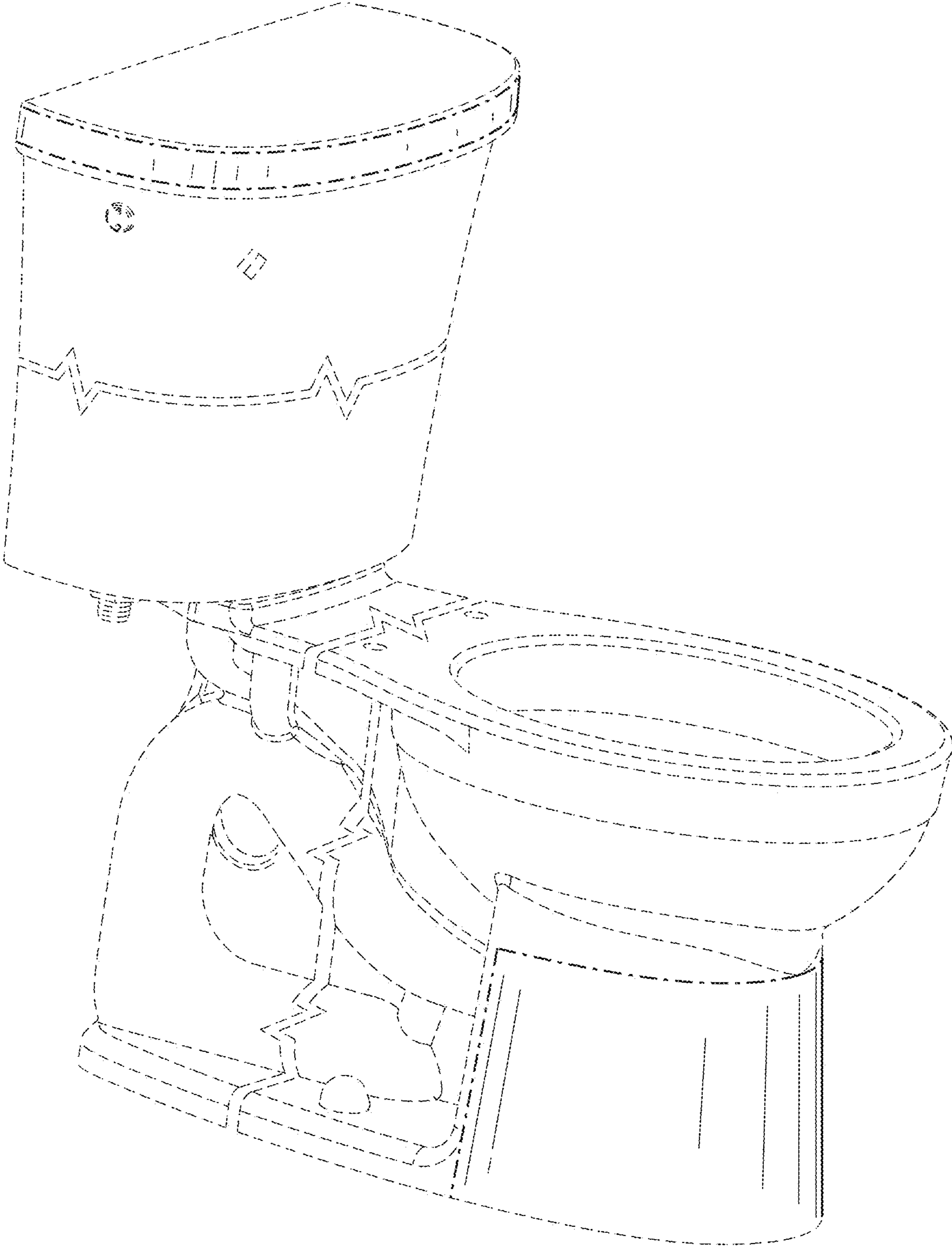


FIG. 1

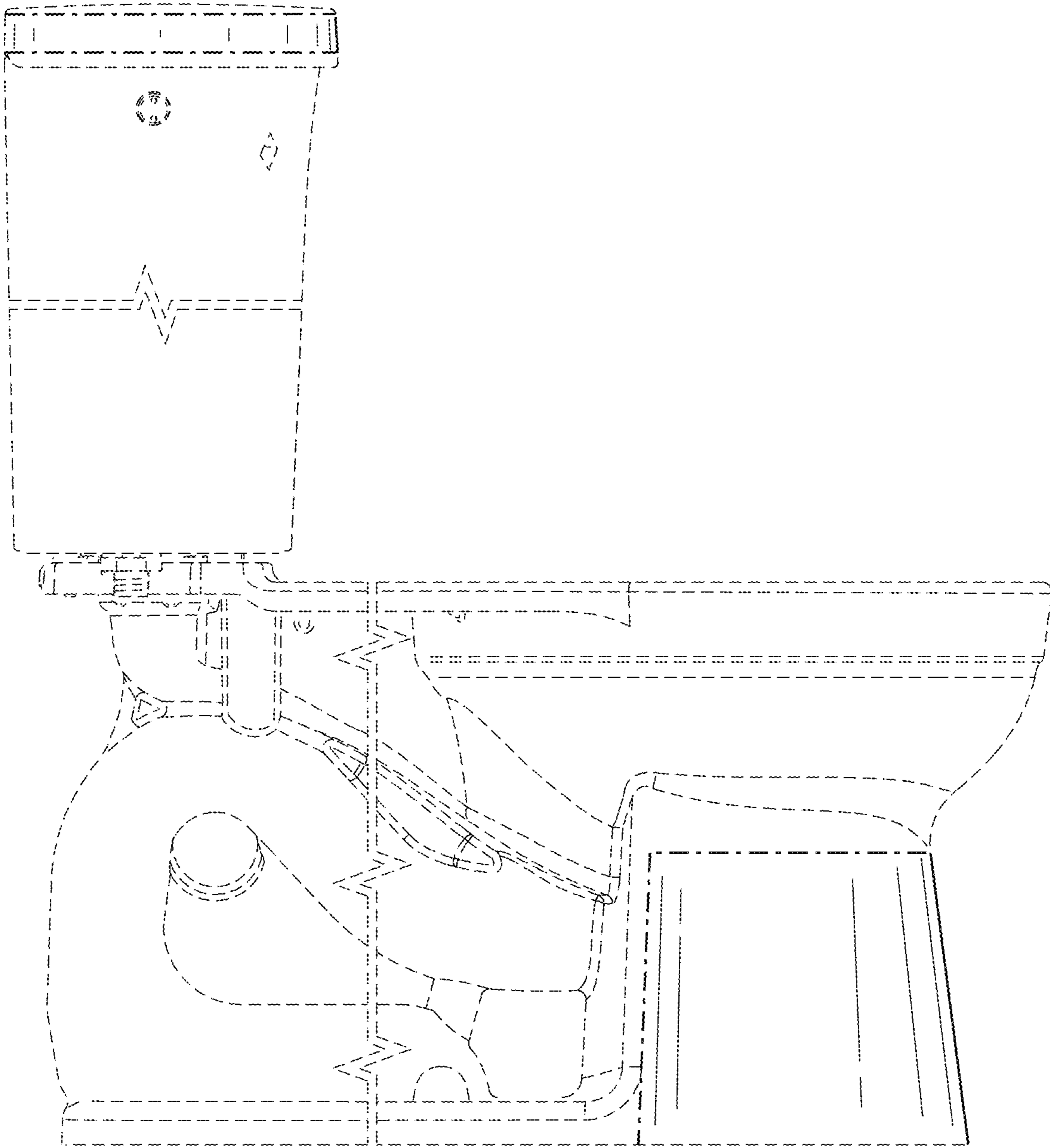


FIG. 2

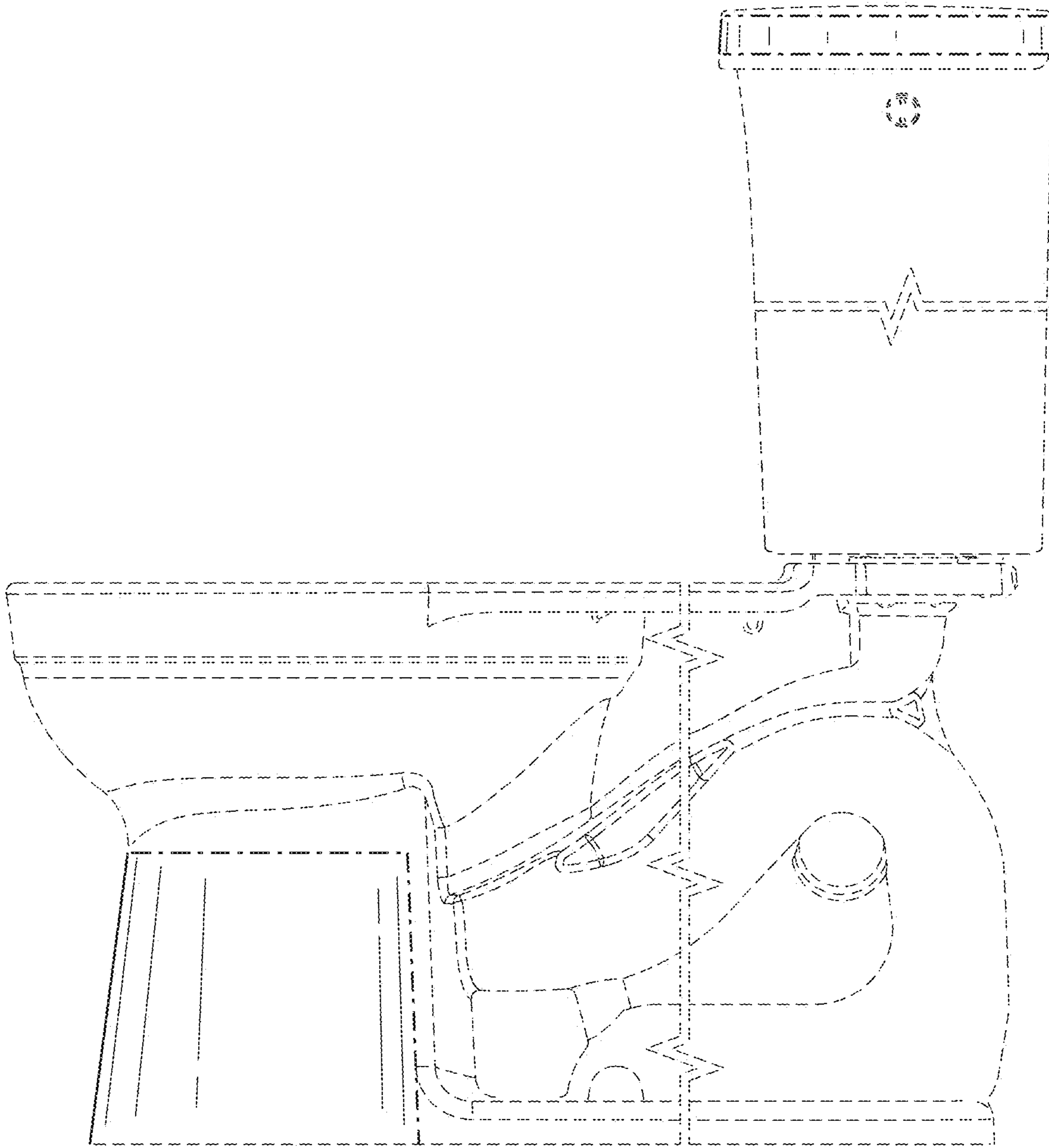


FIG. 3

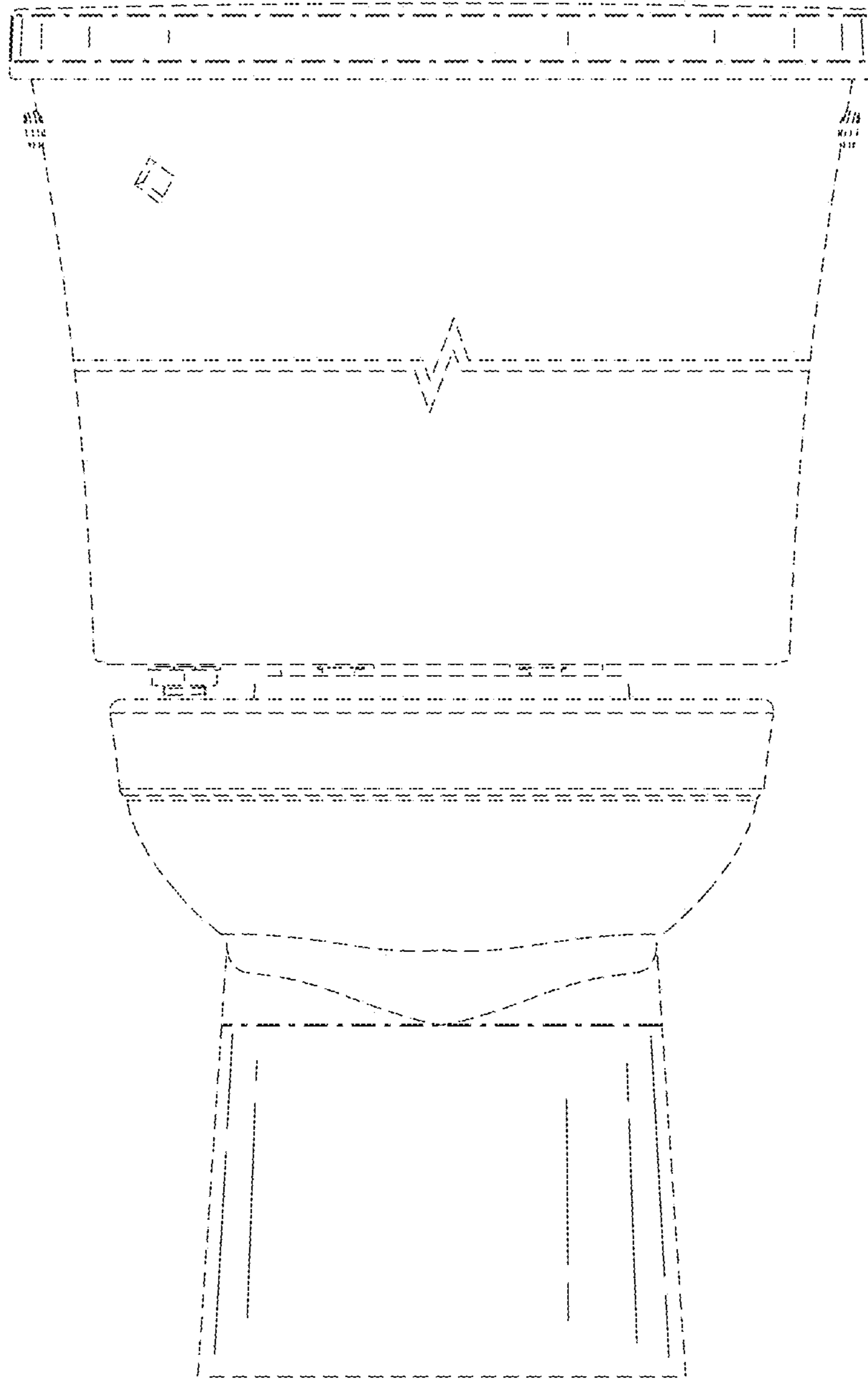


FIG. 4

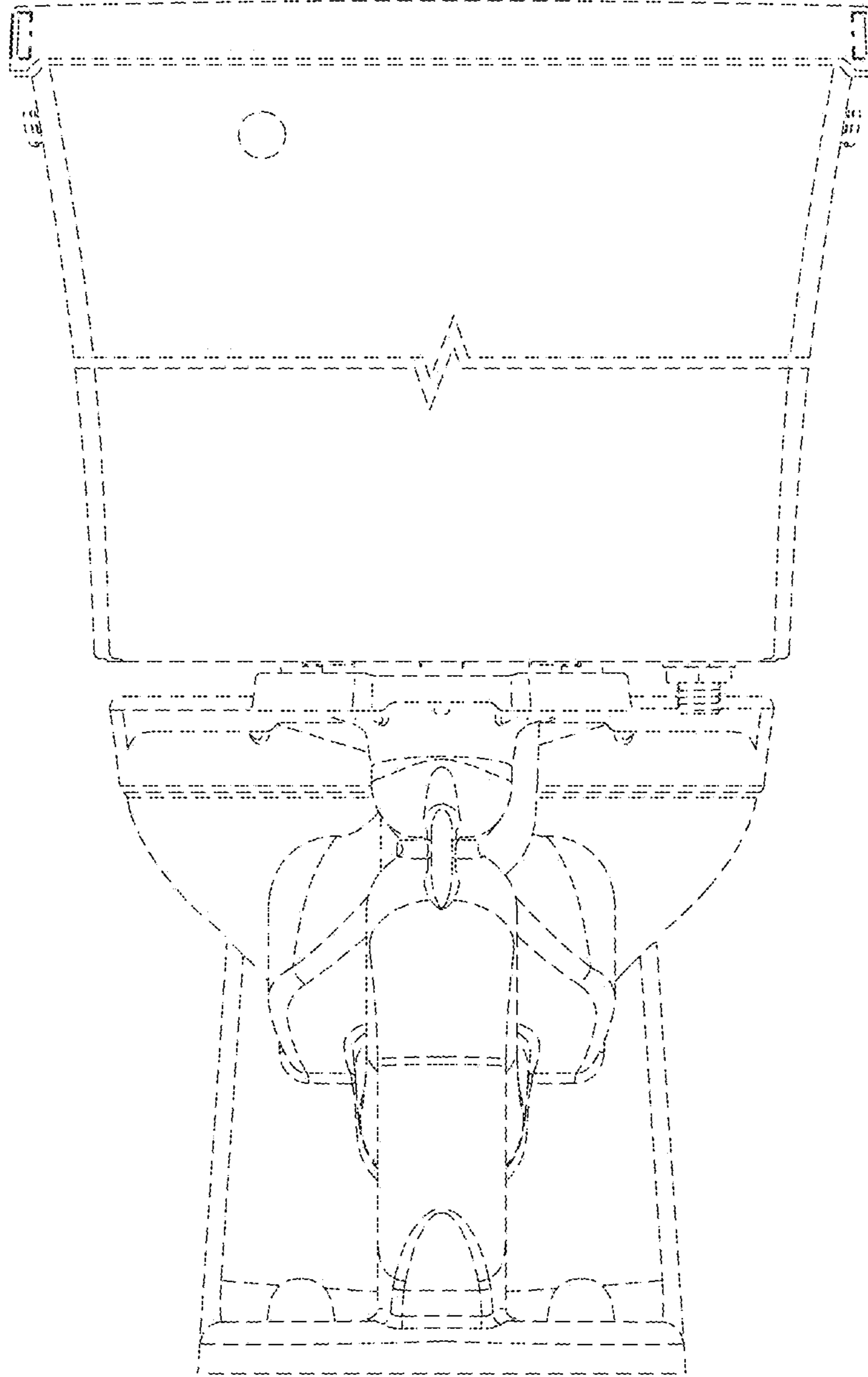


FIG. 5

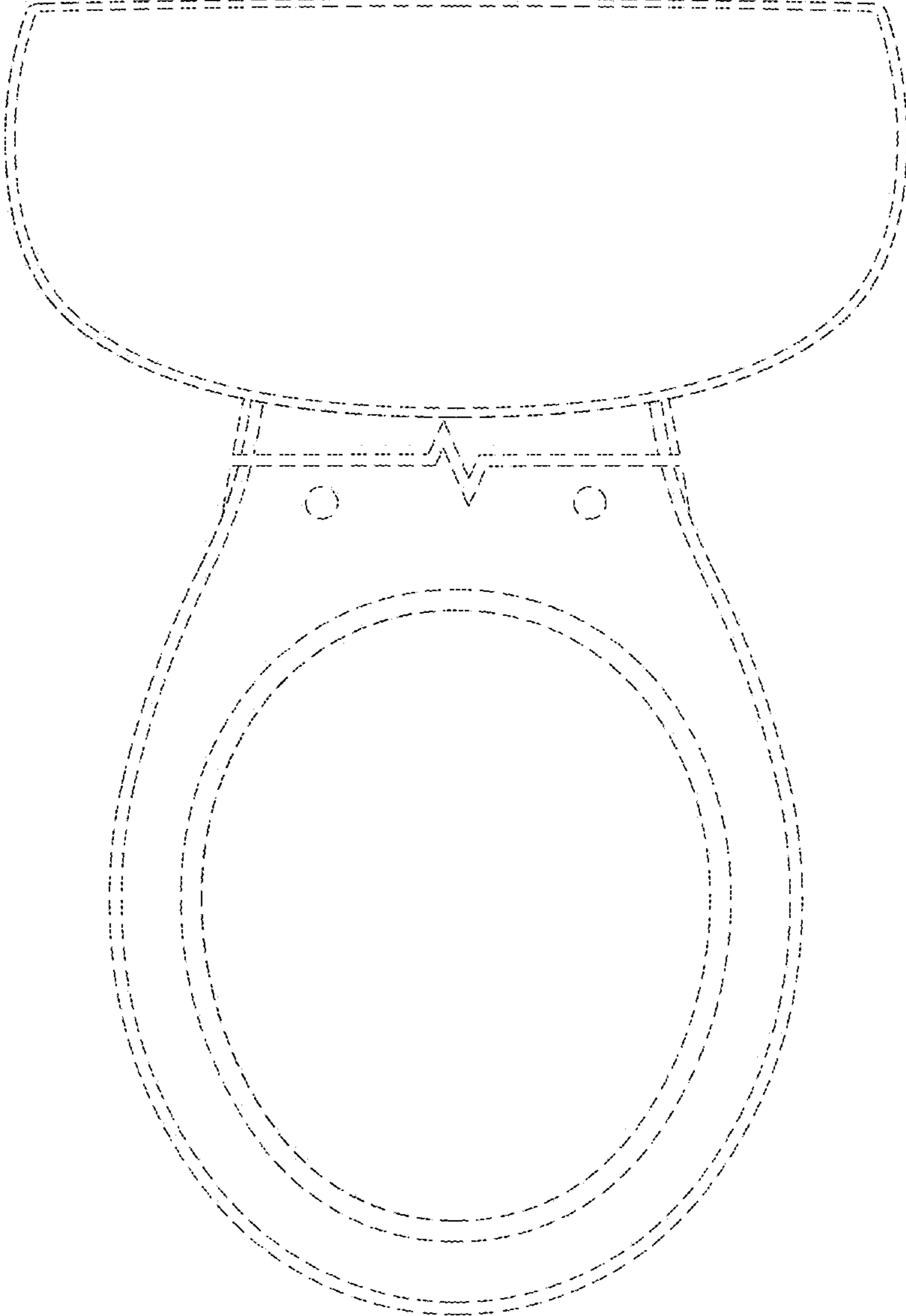


FIG. 6

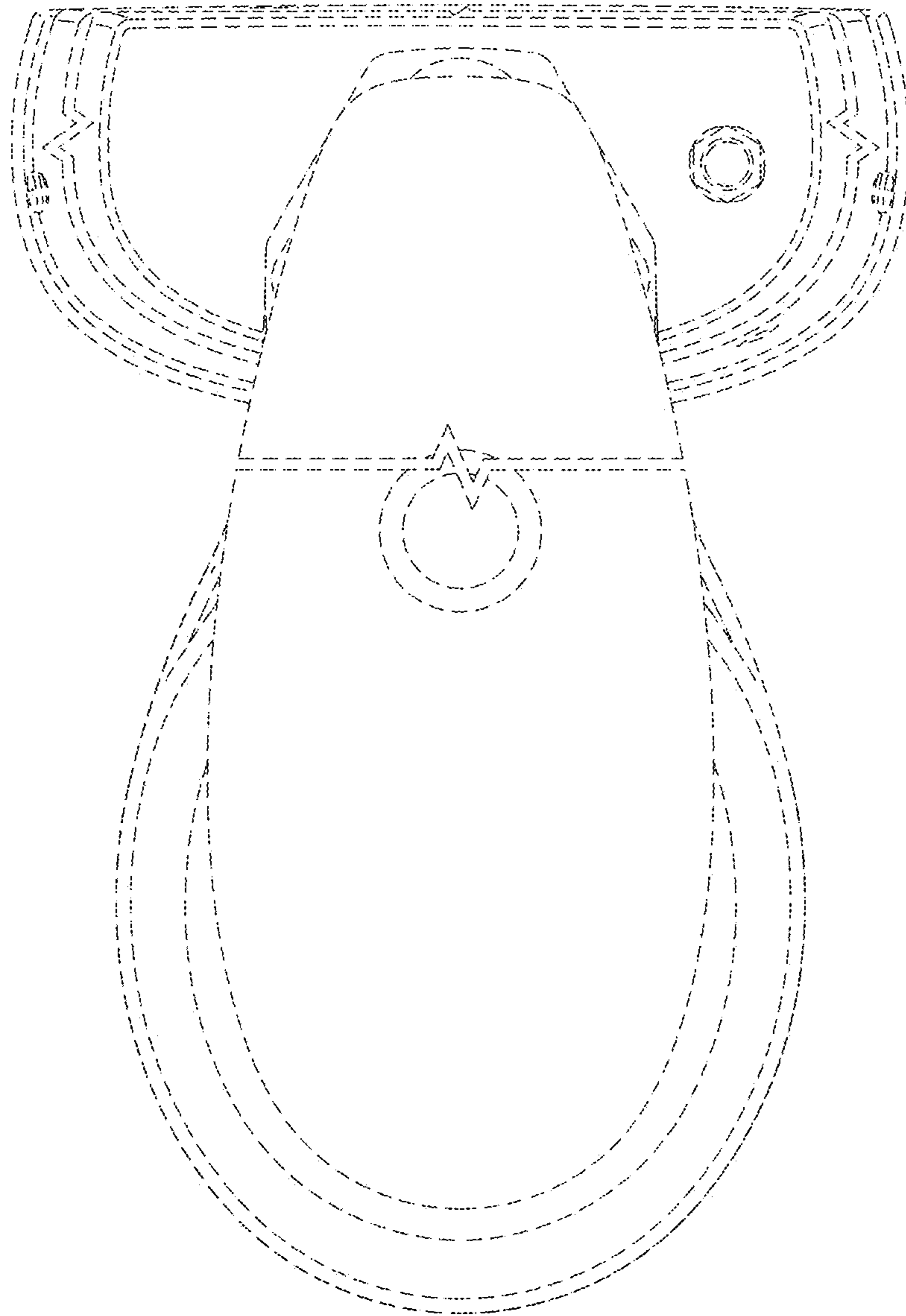


FIG. 7