



US00D912228S

(12) **United States Design Patent** (10) **Patent No.:** **US D912,228 S**  
**Chong et al.** (45) **Date of Patent:** **\*\* Mar. 2, 2021**

(54) **CABINET WITH SINK**  
(71) Applicant: **Elkay Manufacturing Company**,  
Downers Grove, IL (US)  
(72) Inventors: **Jonathan Chee Yeen Chong**, Chicago,  
IL (US); **Jason Scott Silverstein**,  
Palatine, IL (US); **David Alan Carhart**,  
Cary, IL (US)  
(73) Assignee: **Elkay Manufacturing Company**,  
Downers Grove, IL (US)  
(\*\*) Term: **15 Years**  
(21) Appl. No.: **29/733,796**  
(22) Filed: **May 6, 2020**

D799,649 S \* 10/2017 Chong ..... D23/284  
D849,893 S \* 5/2019 Chen ..... D23/287  
2018/0044901 A1\* 2/2018 Lloyd ..... E03C 1/33  
2018/0187403 A1\* 7/2018 Chong ..... E03C 1/182  
2018/0259202 A1\* 9/2018 Kim ..... F24F 3/14

\* cited by examiner

*Primary Examiner* — Robert A Delehanty  
(74) *Attorney, Agent, or Firm* — Neal, Gerber &  
Eisenberg LLP; Tanvi B. Patel; Nawshaba M. Siddiquee

(57) **CLAIM**

The ornamental design for a cabinet with sink, as shown and described.

**DESCRIPTION**

FIG. 1 is a front perspective view of a cabinet with sink, showing our new design.  
FIG. 2 is a front elevation view thereof.  
FIG. 3 is a rear elevation view thereof.  
FIG. 4 is a first side elevation view thereof.  
FIG. 5 is a second side elevation view thereof.  
FIG. 6 is a top plan view thereof.  
FIG. 7 is a bottom plan view thereof.  
FIG. 8 is a front perspective view of a cabinet with sink, without obscurement.  
FIG. 9 is a front elevation view thereof.  
FIG. 10 is a rear elevation view thereof.  
FIG. 11 is a first side elevation view thereof.  
FIG. 12 is a second side elevation view thereof.  
FIG. 13 is a top plan view thereof; and,  
FIG. 14 is a bottom plan view thereof.  
The broken lines shown in the drawing views are for illustrative purposes and form no part of the claim design.

**Related U.S. Application Data**

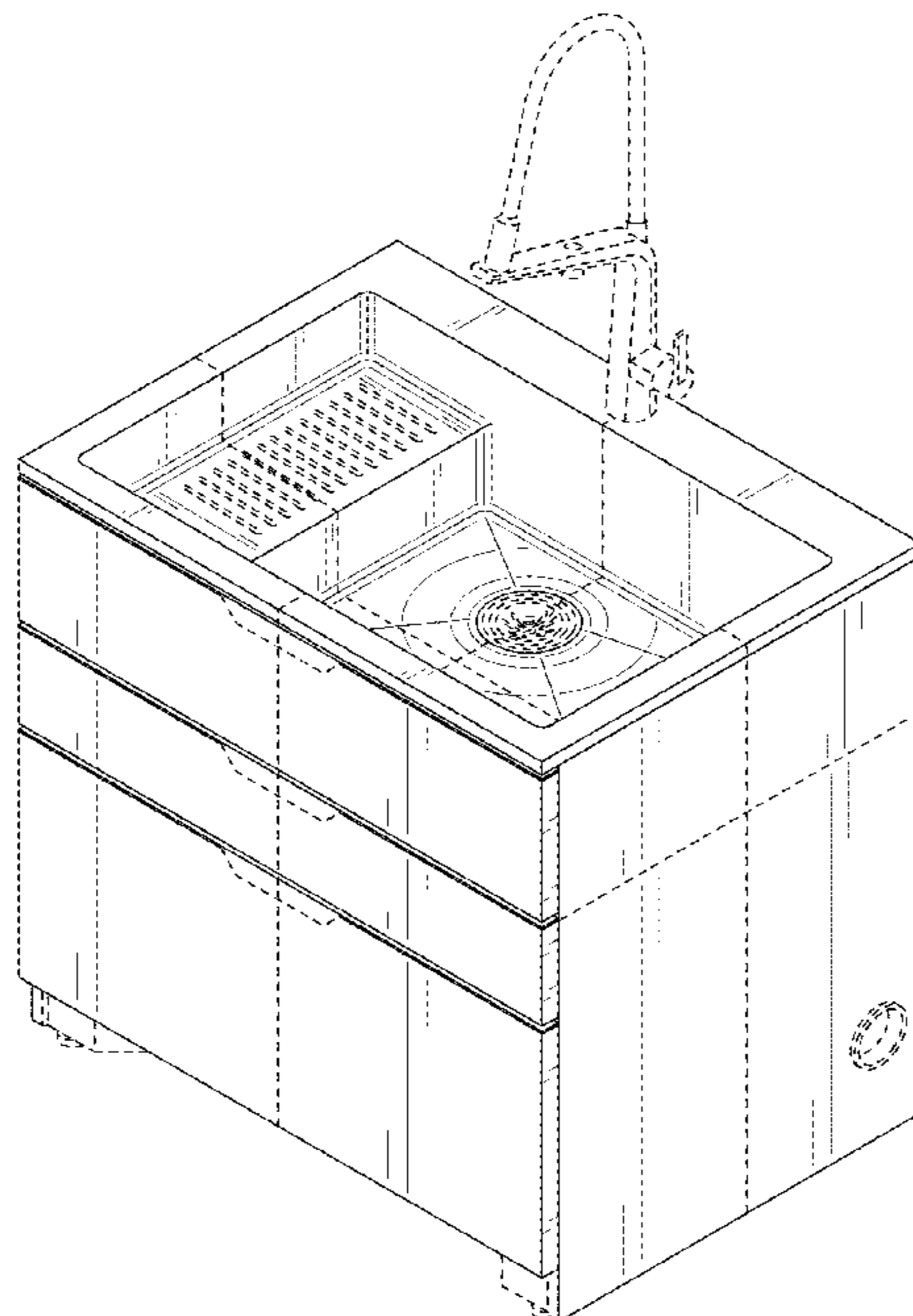
(62) Division of application No. 16/746,086, filed on Jan. 17, 2020.  
(51) **LOC (13) Cl.** ..... **23-02**  
(52) **U.S. Cl.**  
USPC ..... **D23/286**  
(58) **Field of Classification Search**  
USPC ..... D23/284, 286, 293.1, 308, 271; D6/642,  
D6/655.1, 655.14, 664  
CPC ..... A47B 77/06  
See application file for complete search history.

(56) **References Cited**

**U.S. PATENT DOCUMENTS**

D142,688 S \* 10/1945 Beebe ..... D23/271  
D624,634 S \* 9/2010 Thomas ..... D23/286  
D631,143 S \* 1/2011 Thomas ..... D23/284  
D799,648 S \* 10/2017 Chong ..... D23/284

**1 Claim, 14 Drawing Sheets**



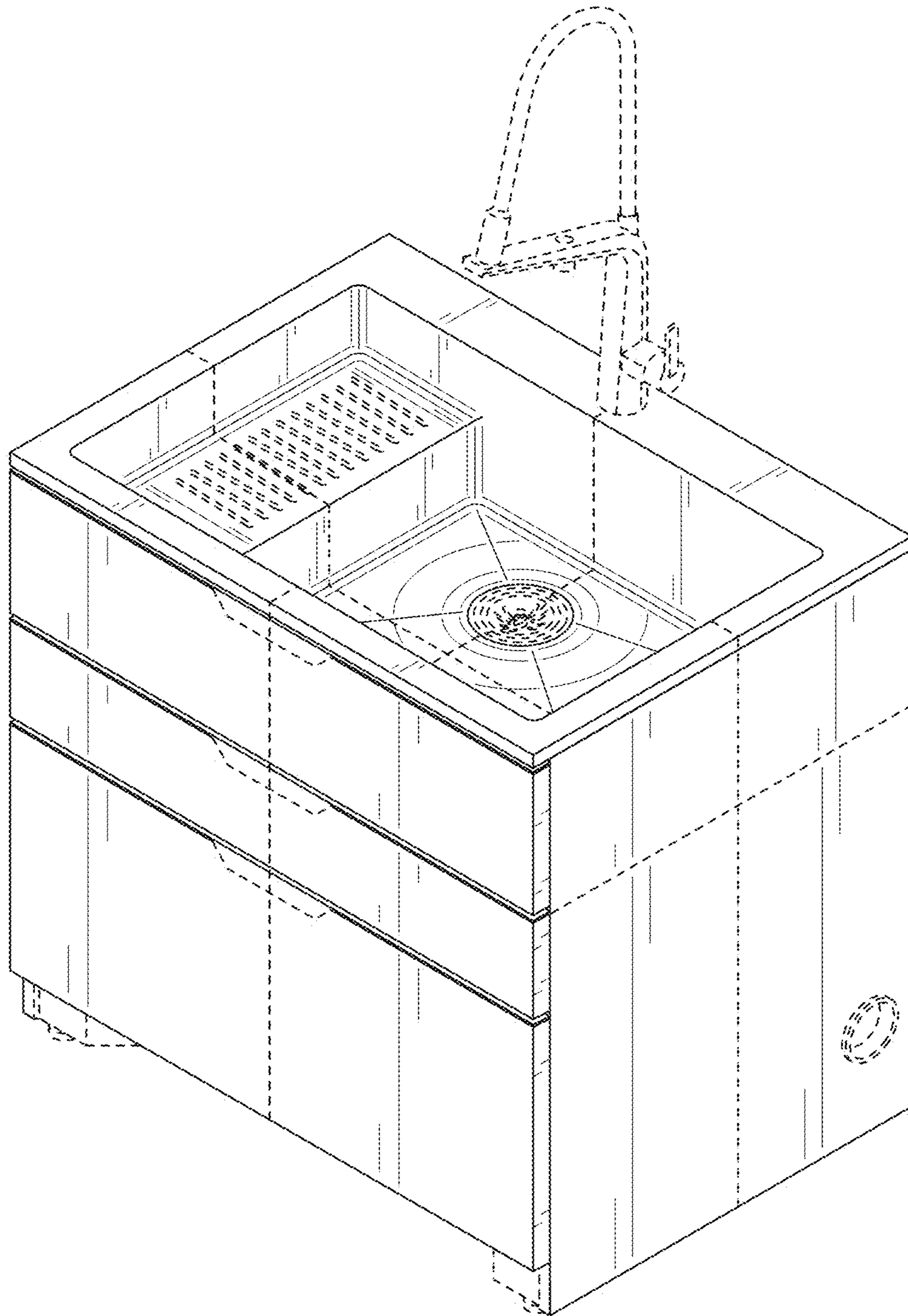


FIG. 1

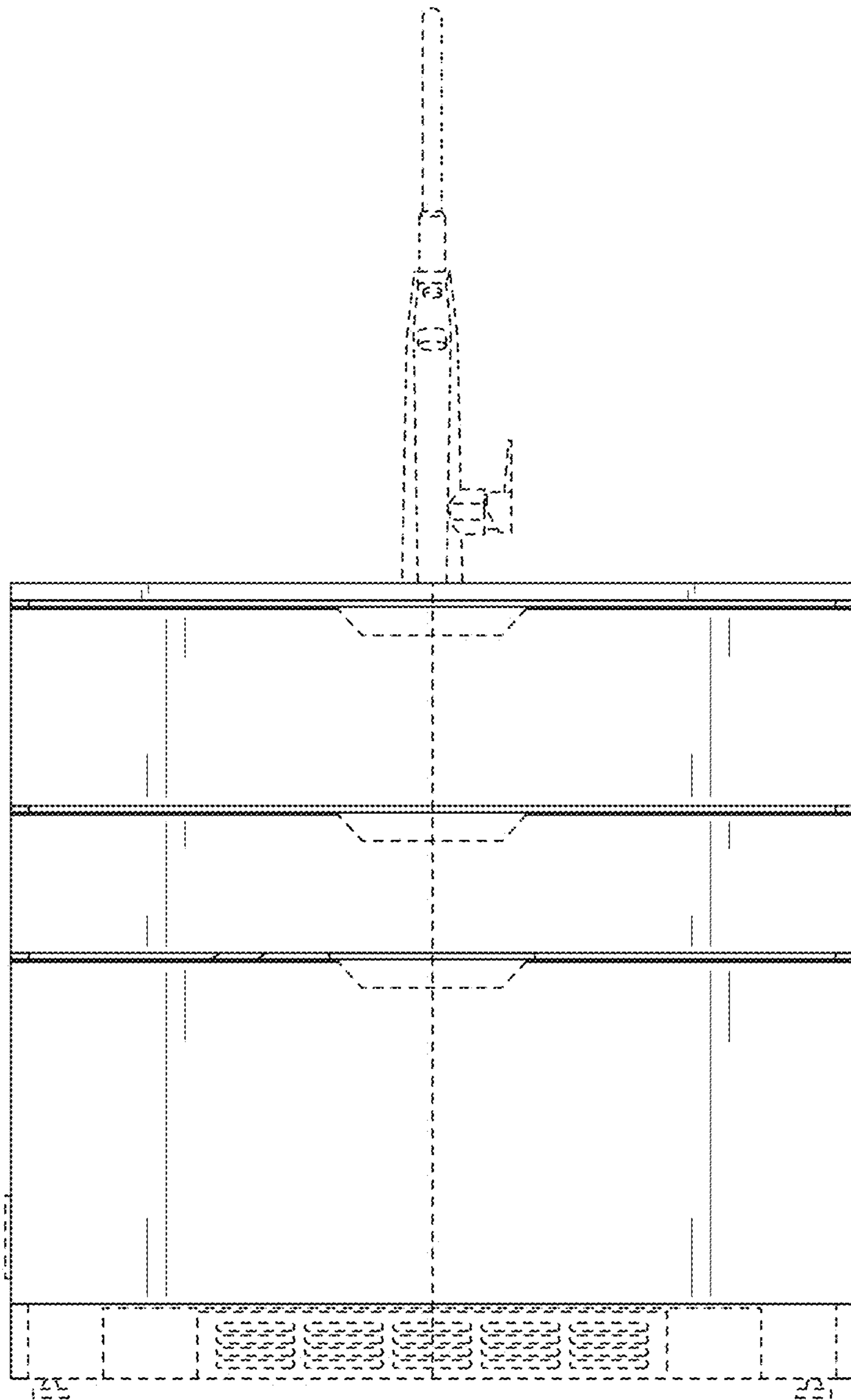


FIG. 2

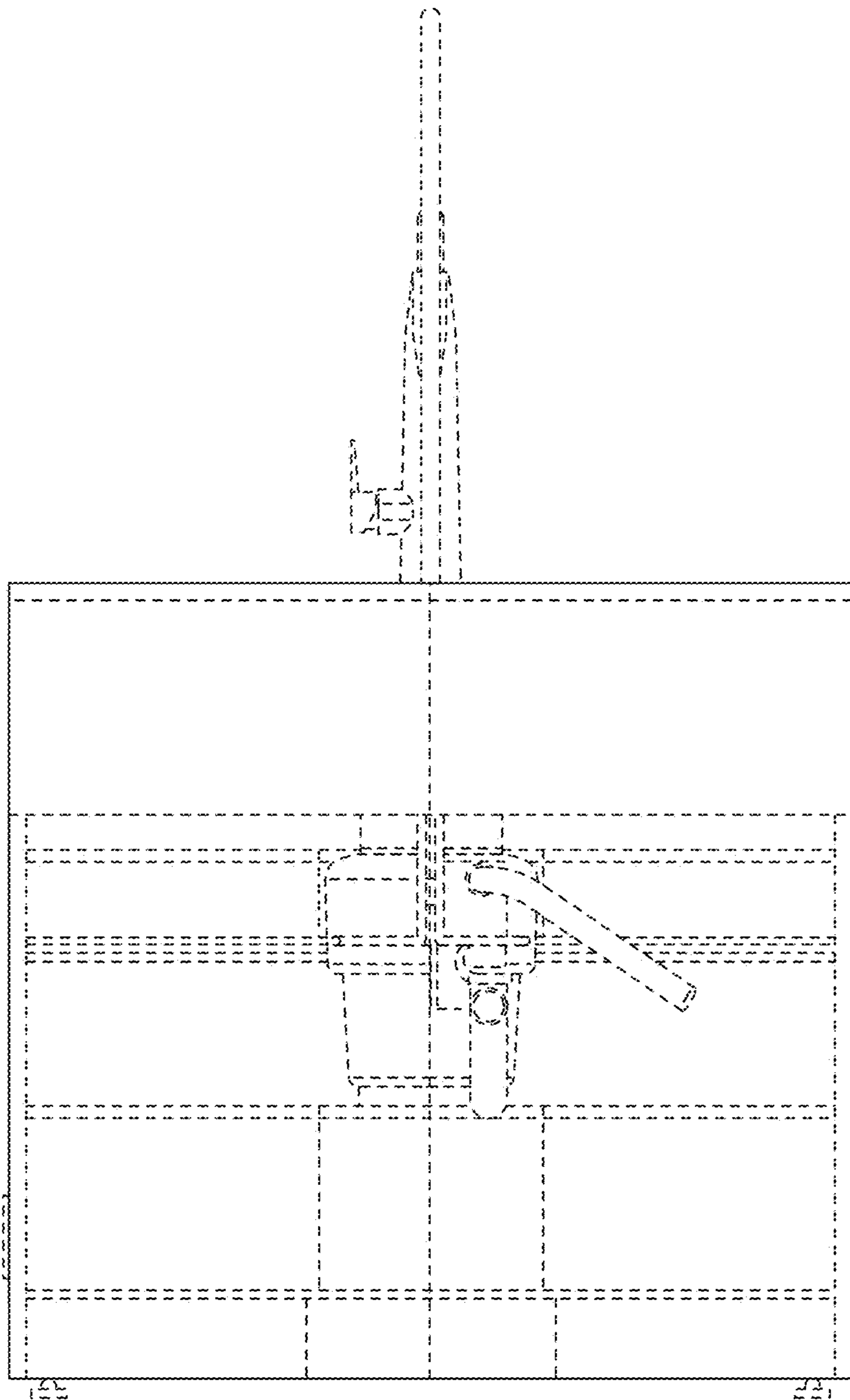


FIG. 3

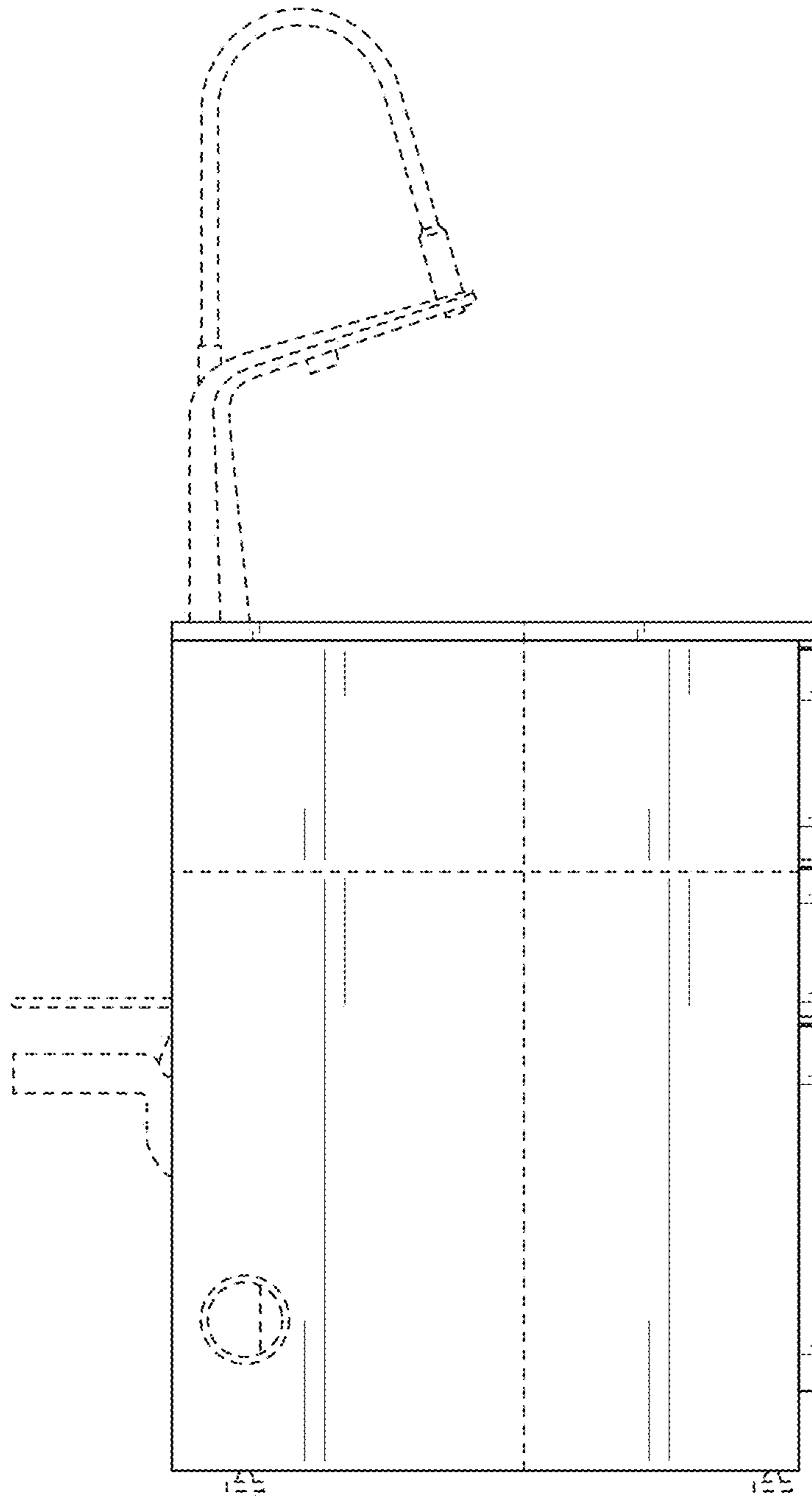


FIG. 4

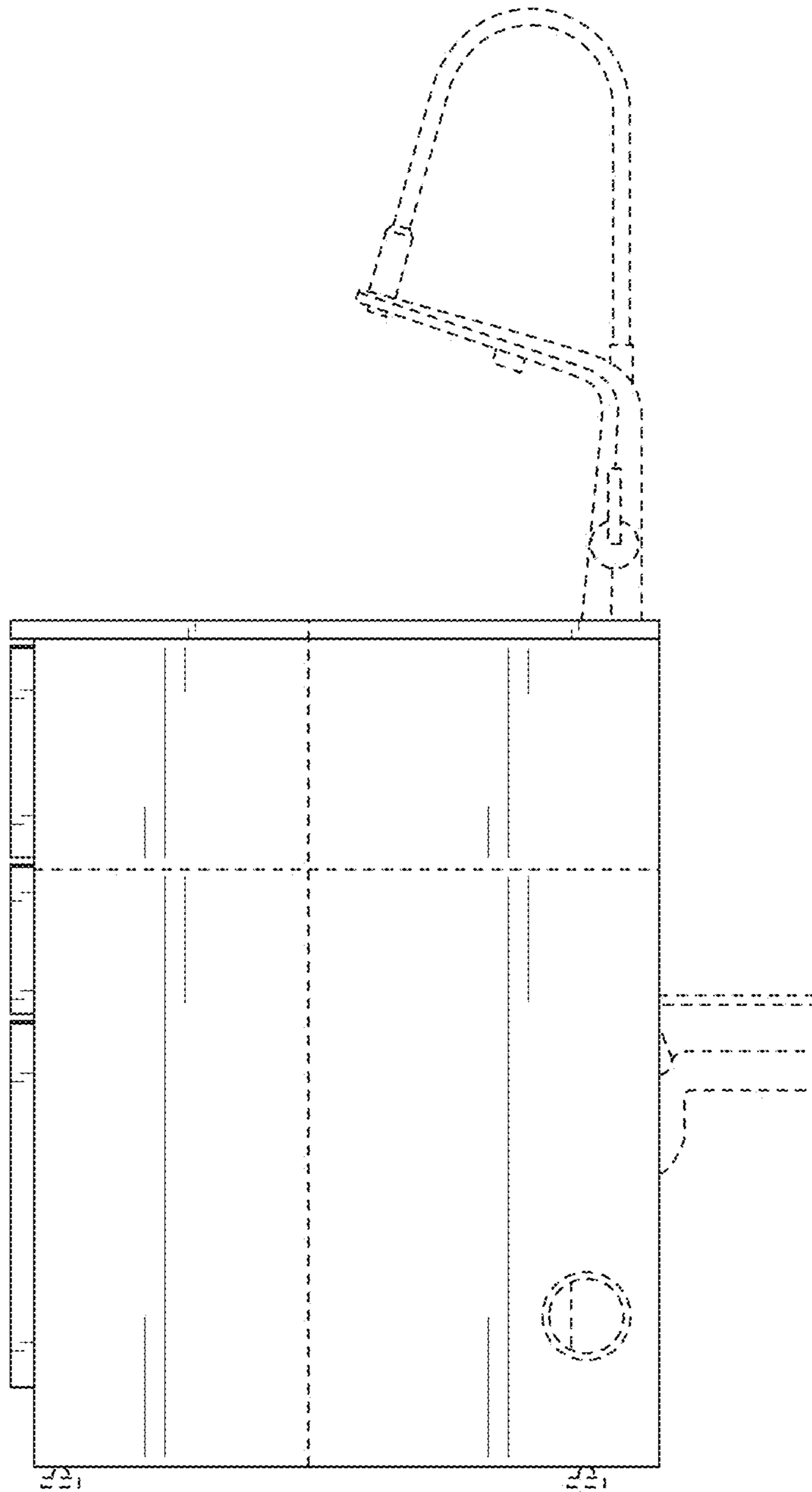


FIG. 5

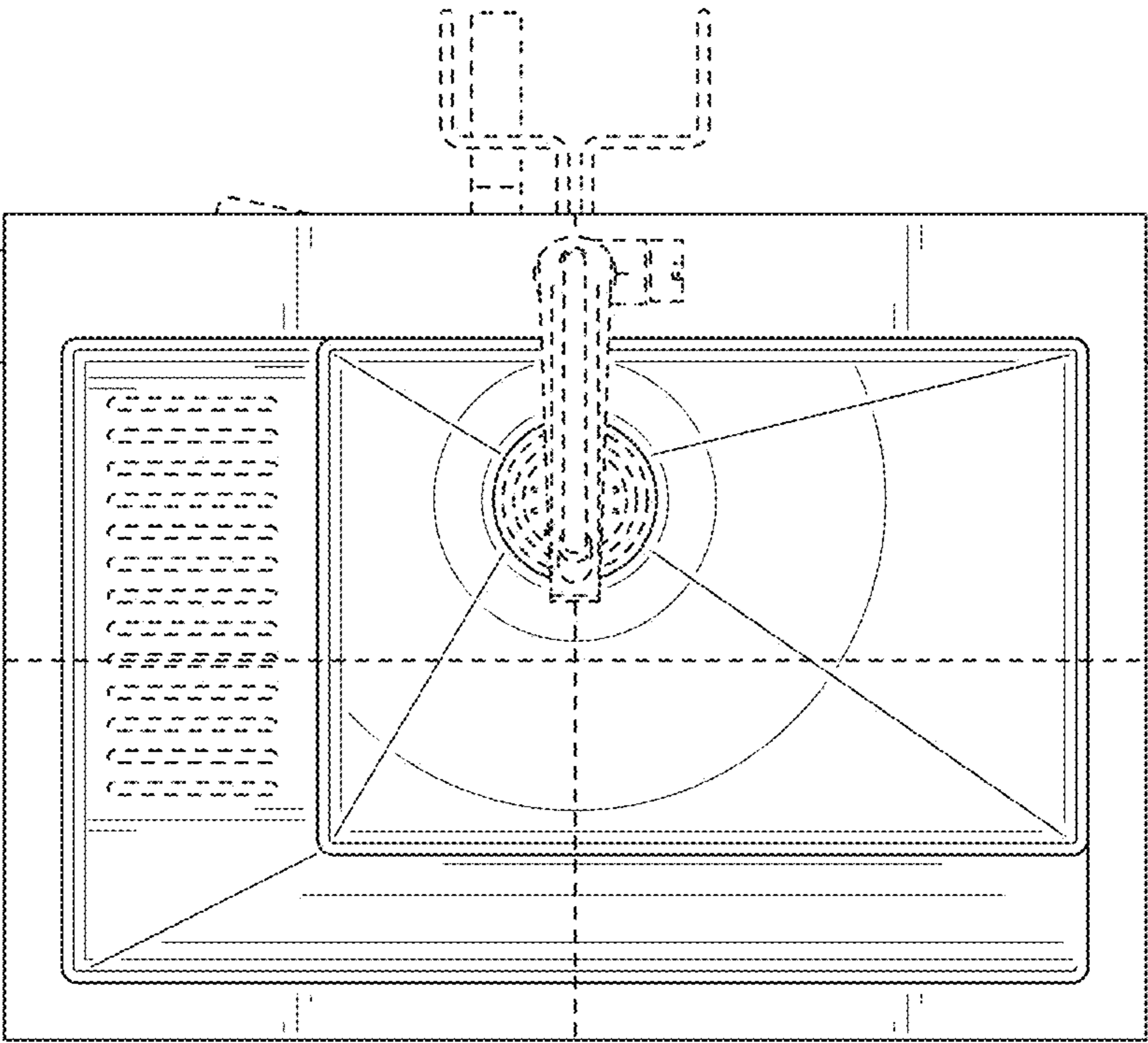


FIG. 6

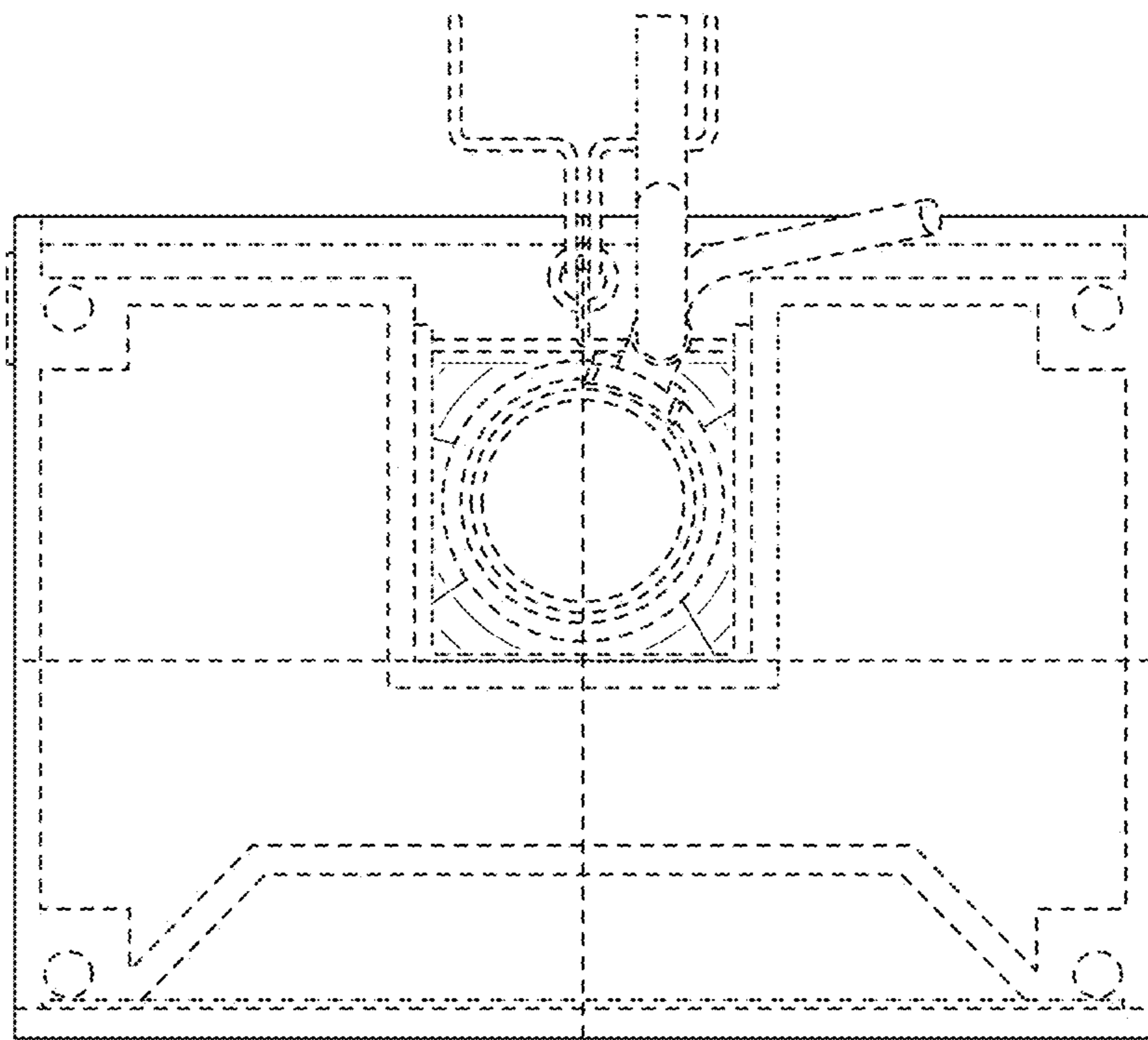


FIG. 7



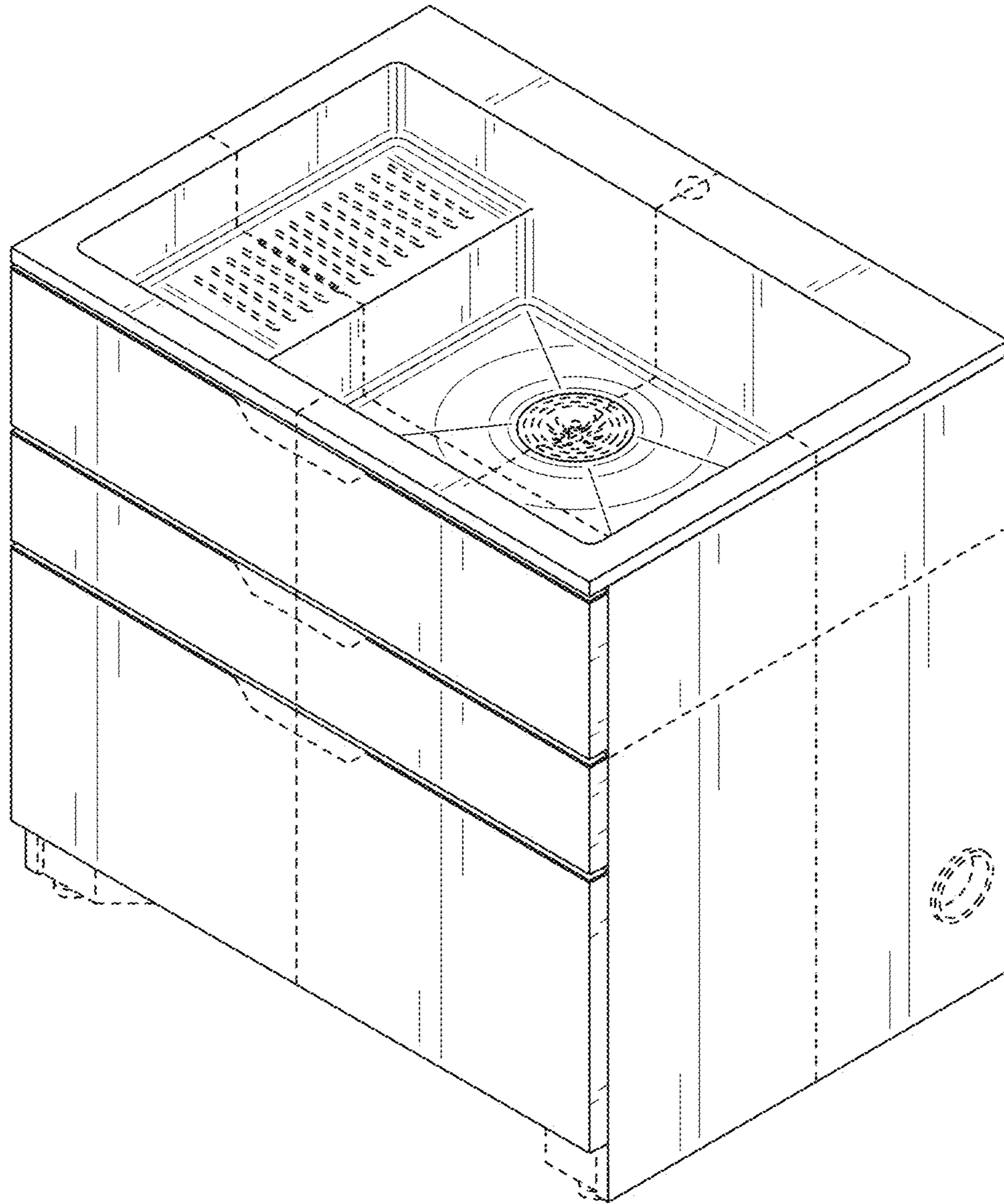


FIG. 8

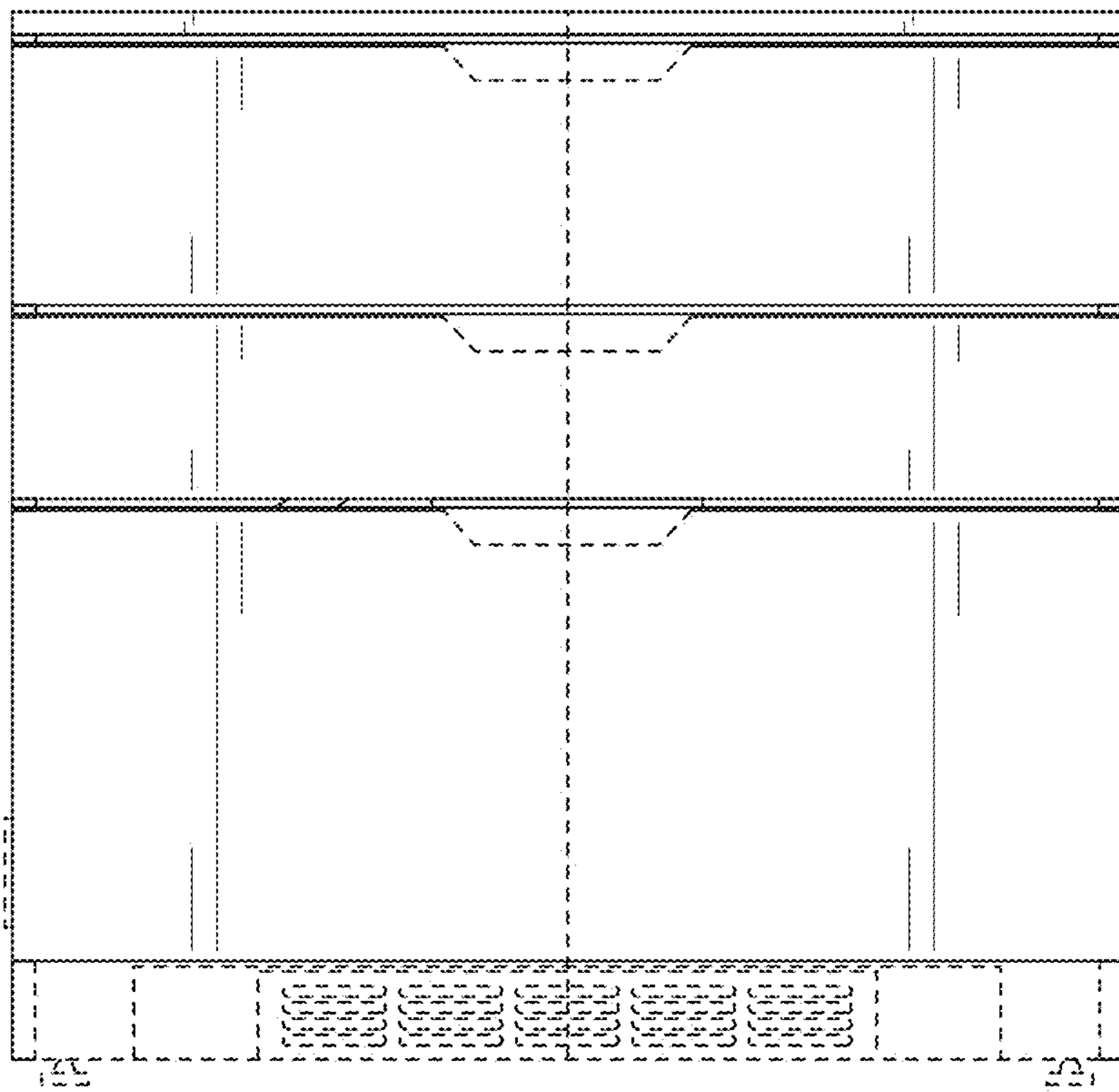


FIG. 9

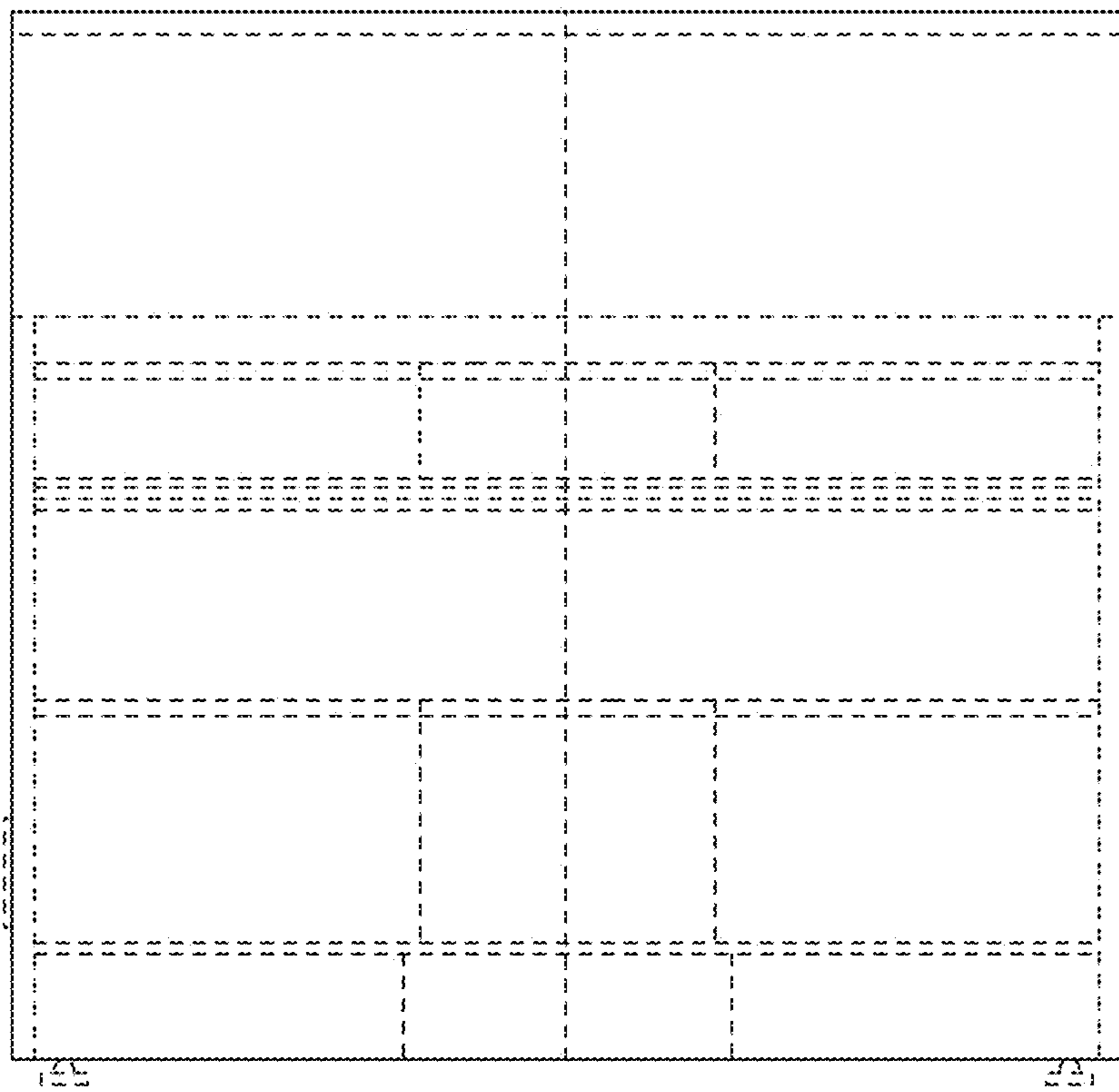


FIG. 10

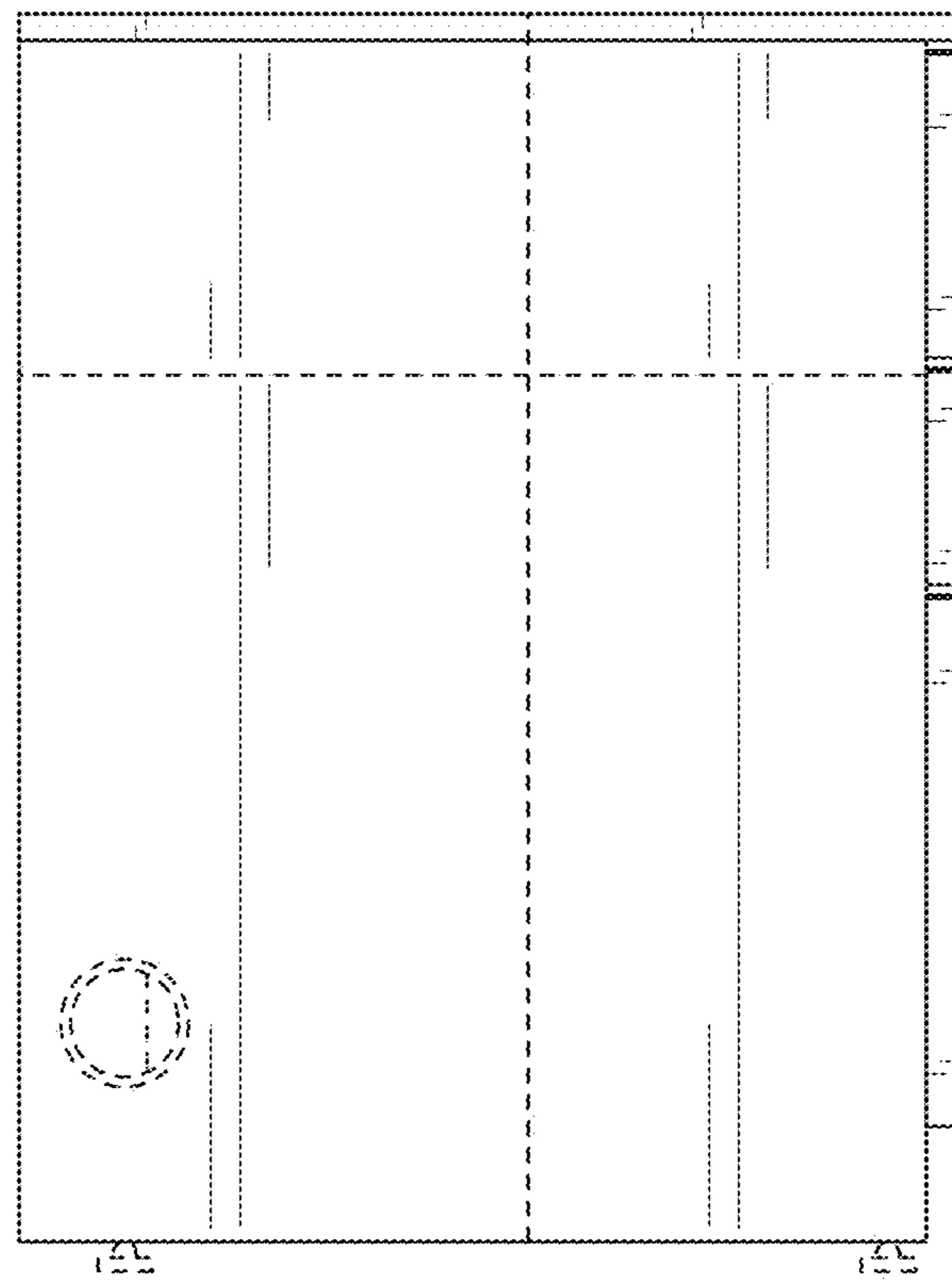


FIG. 11

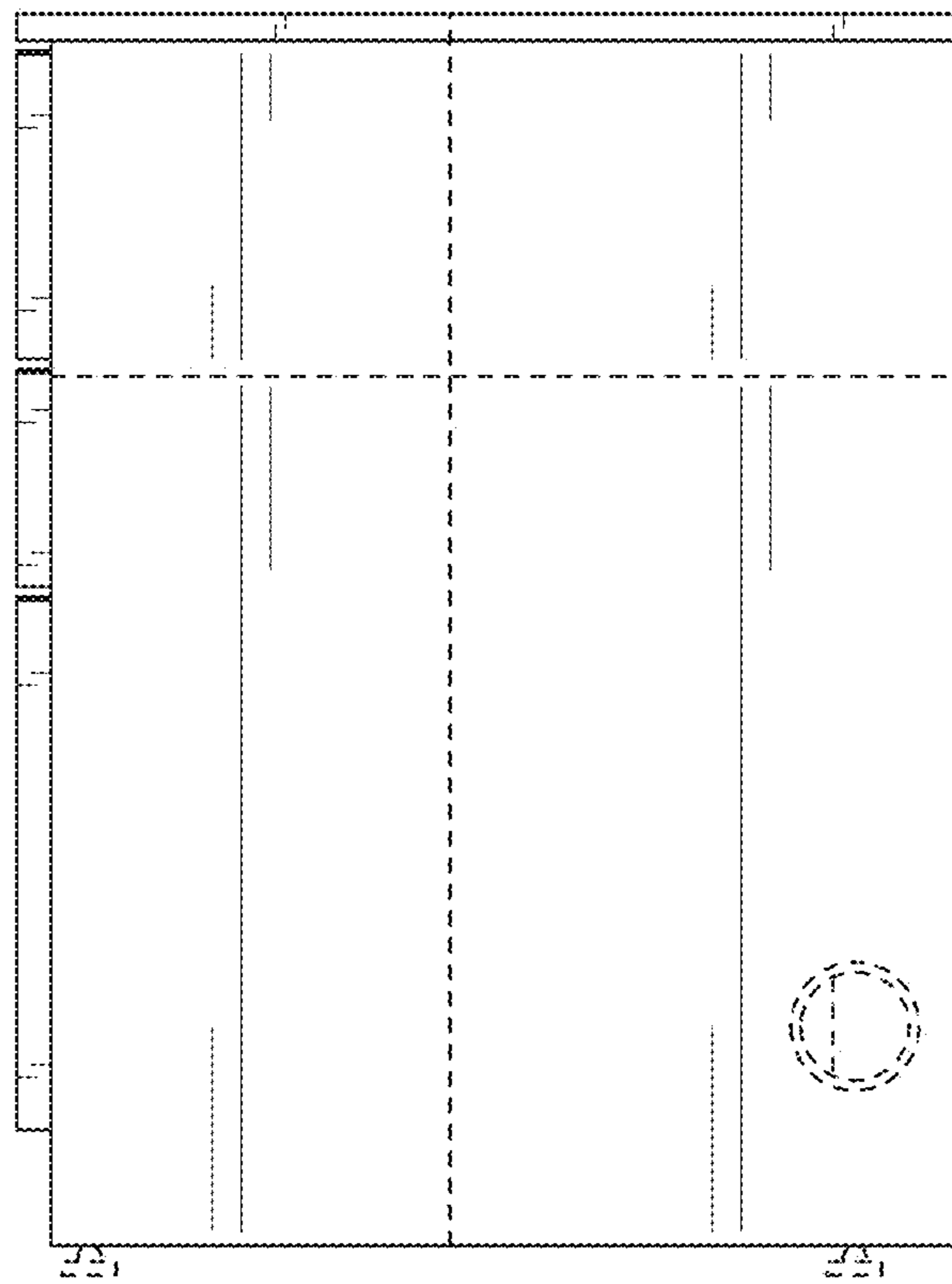


FIG. 12

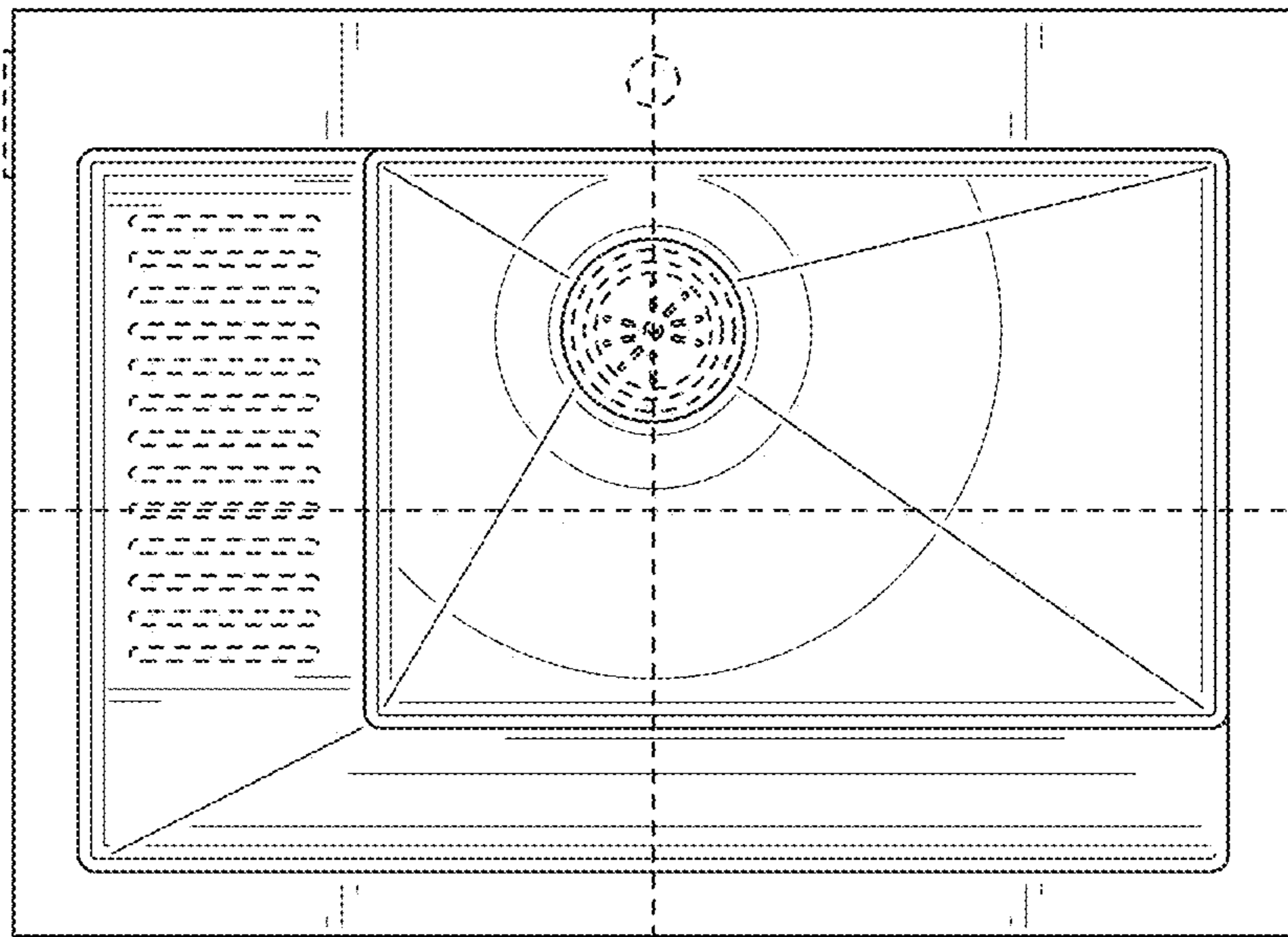


FIG. 13

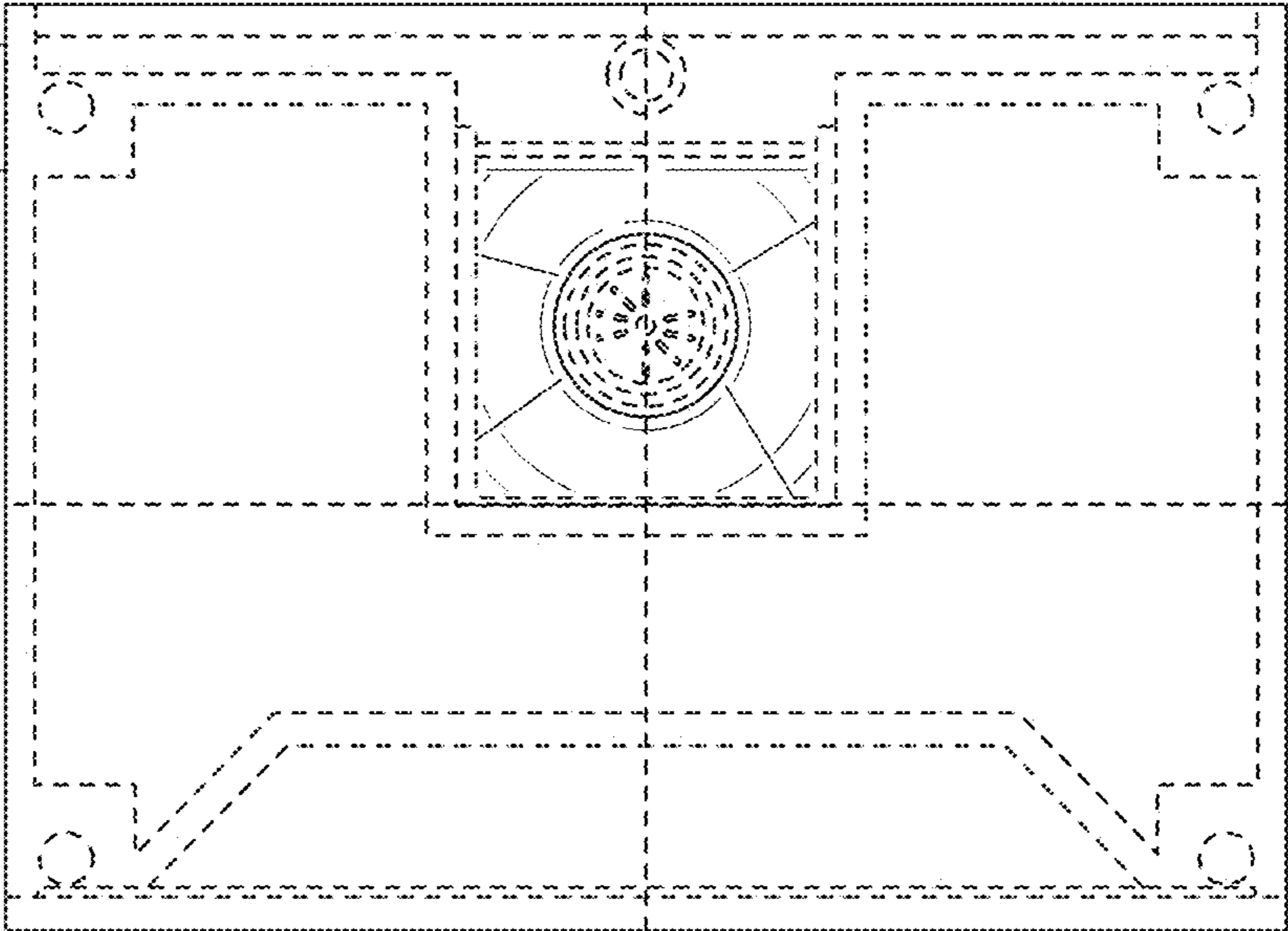


FIG. 14