



US00D912227S

(12) **United States Design Patent**  
**Chong**

(10) **Patent No.:** **US D912,227 S**  
(45) **Date of Patent:** **\*\* Mar. 2, 2021**

(54) **SINK**

(71) Applicant: **Elkay Manufacturing Company**,  
Downers Grove, IL (US)

(72) Inventor: **Jonathan Chee Yeen Chong**, Chicago,  
IL (US)

(73) Assignee: **Elkay Manufacturing Company**,  
Downers Grove, IL (US)

(\*\*) Term: **15 Years**

(21) Appl. No.: **29/733,792**

(22) Filed: **May 6, 2020**

**Related U.S. Application Data**

(62) Division of application No. 16/746,086, filed on Jan.  
17, 2020.

(51) **LOC (13) Cl.** ..... **23-02**

(52) **U.S. Cl.**  
USPC ..... **D23/284**

(58) **Field of Classification Search**  
USPC ..... D23/284, 286, 293.1, 308  
CPC ..... A47B 77/06  
See application file for complete search history.

(56) **References Cited**

U.S. PATENT DOCUMENTS

D631,143 S *	1/2011	Thomas .....	D23/284
D670,367 S *	11/2012	Miller .....	D23/308
D694,377 S *	11/2013	Mustee .....	D23/284
D799,648 S *	10/2017	Chong .....	D23/284
D849,893 S *	5/2019	Chen .....	D23/287
D849,894 S *	5/2019	Chen .....	D23/287

\* cited by examiner

*Primary Examiner* — Robert A Delehanty  
(74) *Attorney, Agent, or Firm* — Neal, Gerber &  
Eisenberg LLP; Tanvi B. Patel; Nawshaba M. Siddiquee

(57) **CLAIM**

The ornamental design for a sink, as shown and described.

**DESCRIPTION**

FIG. 1 is a front perspective view of a sink, showing our new design.

FIG. 2 is a front elevation view thereof.

FIG. 3 is a rear elevation view thereof.

FIG. 4 is a first side elevation view thereof.

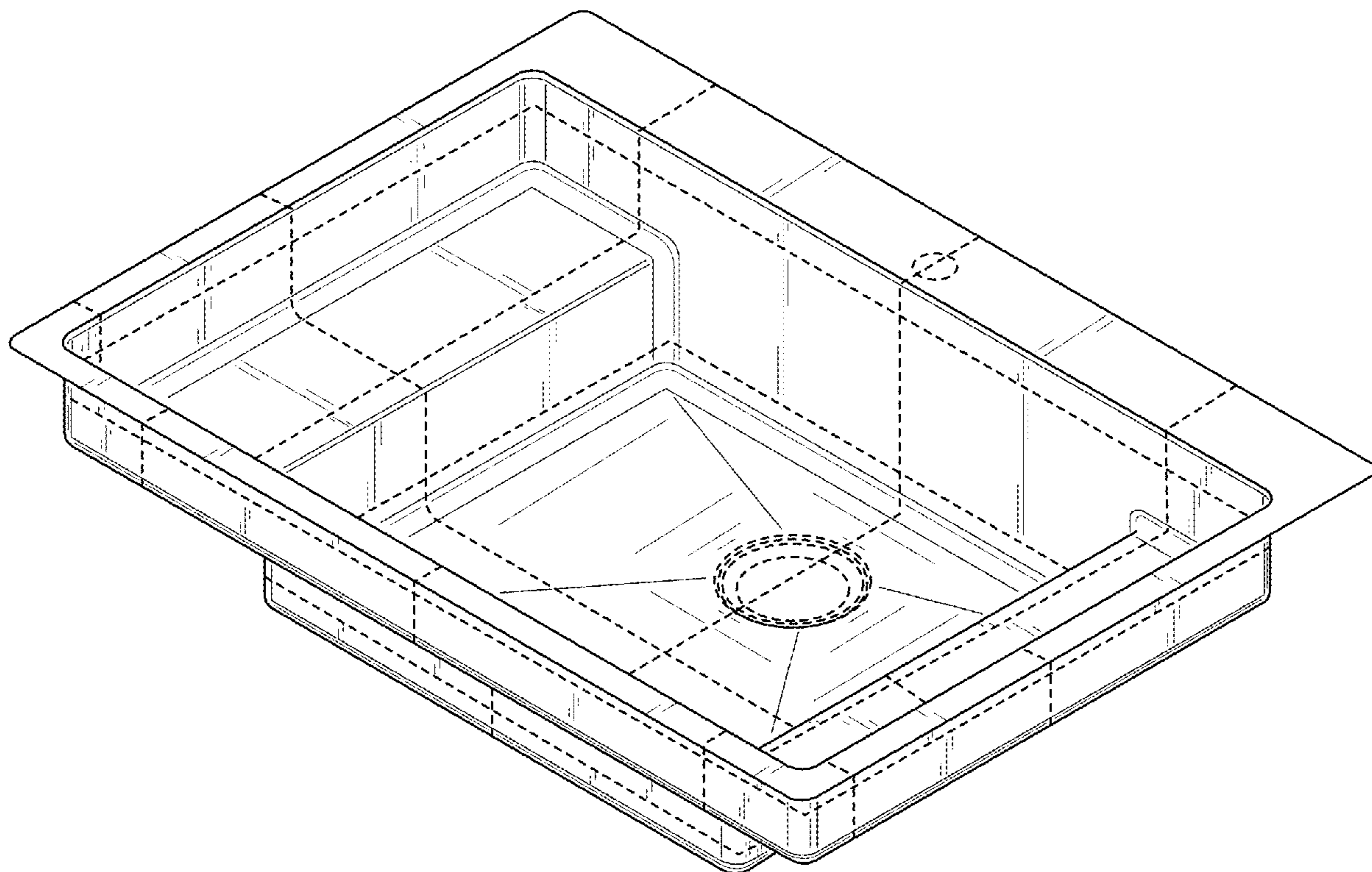
FIG. 5 is a second side elevation view thereof.

FIG. 6 is a top plan view thereof; and,

FIG. 7 is a bottom plan view thereof.

The broken lines shown in the drawing views are for illustrative purposes and form no part of the claim design.

**1 Claim, 7 Drawing Sheets**



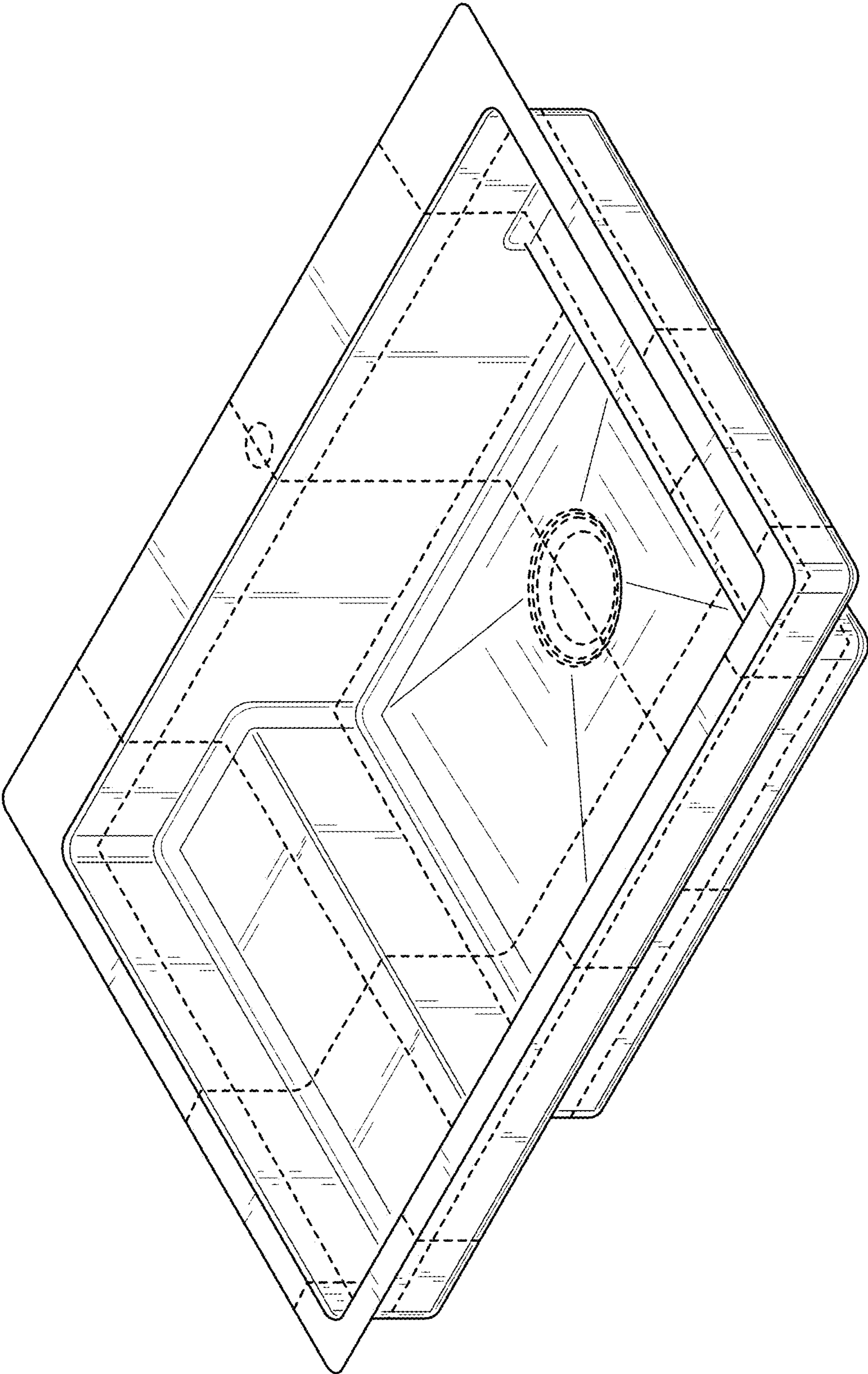


FIG. 1

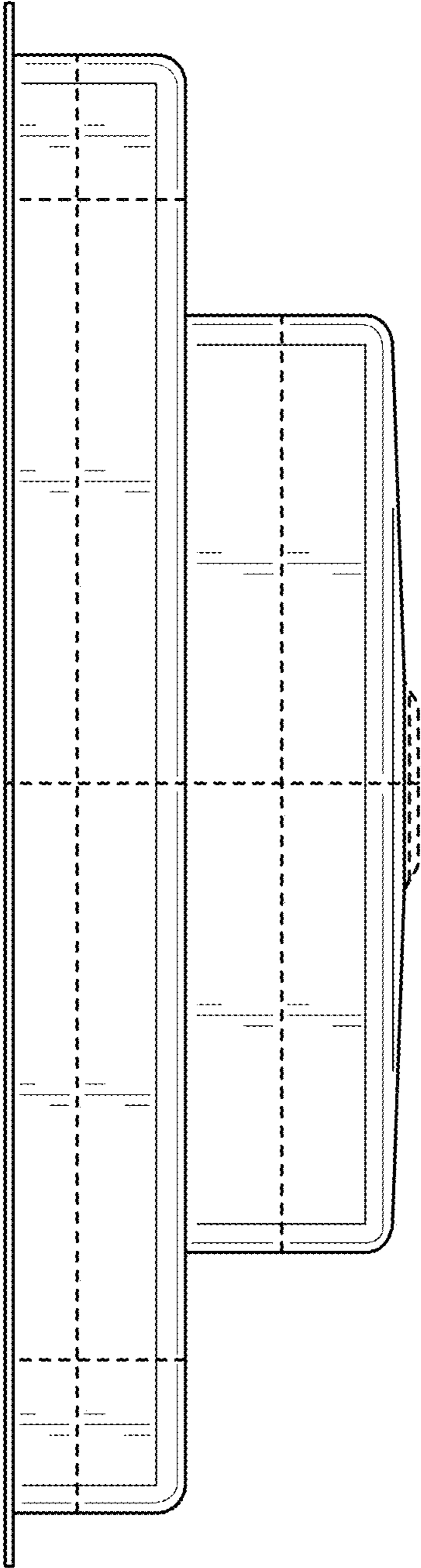


FIG. 2

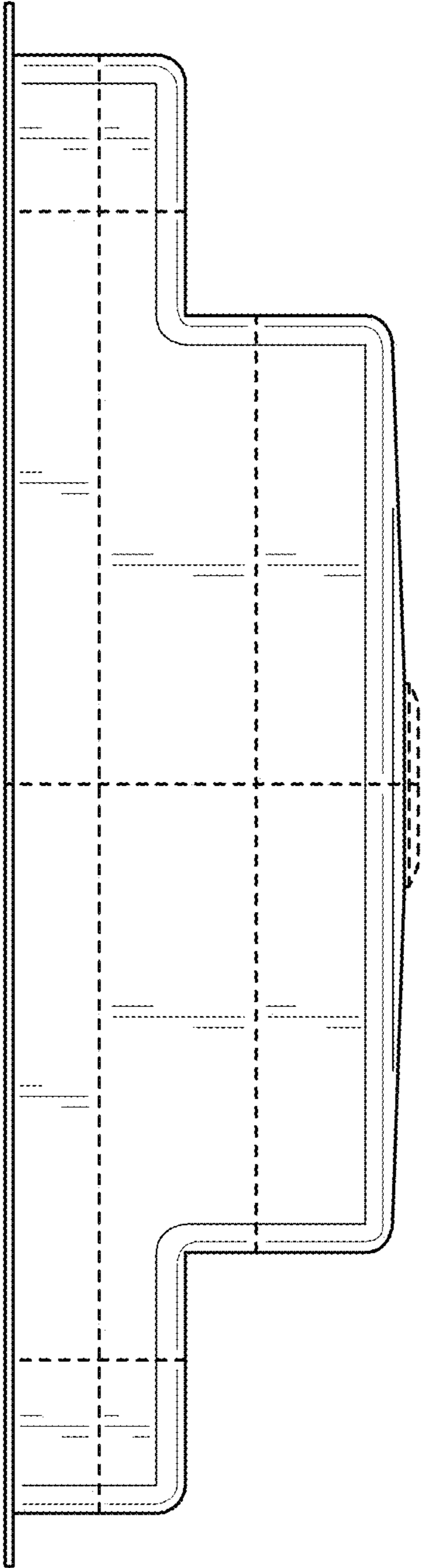


FIG. 3



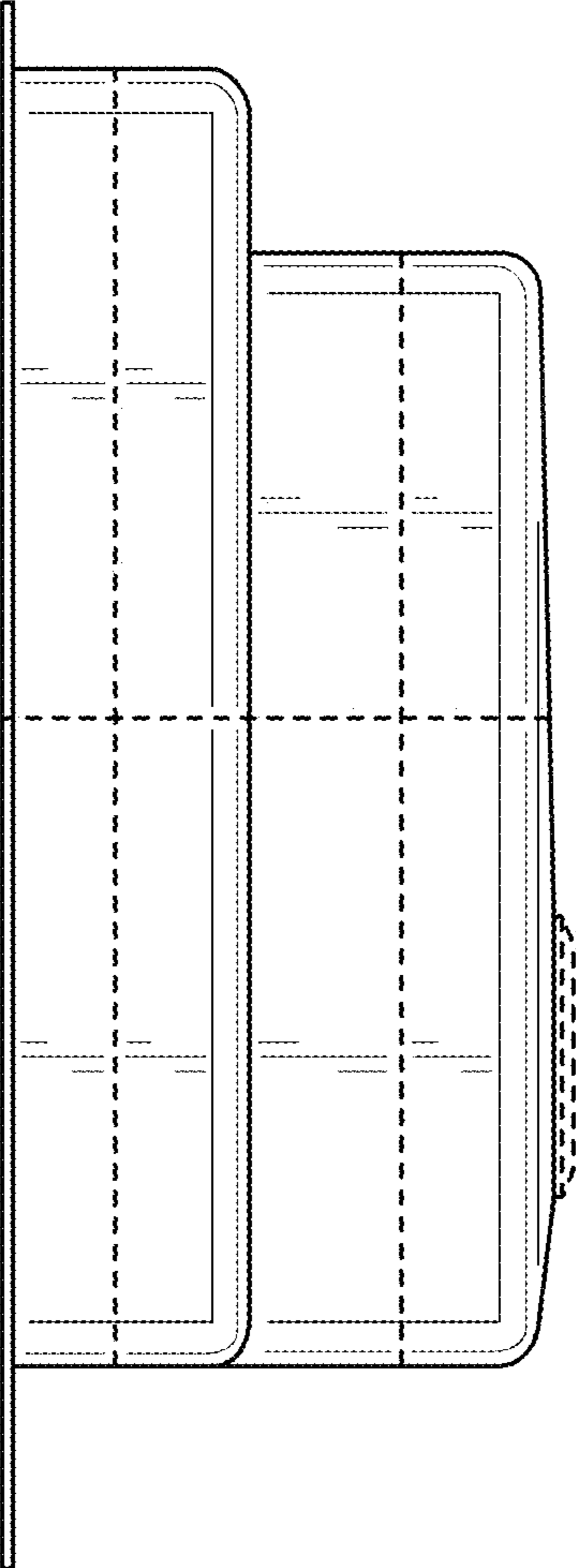


FIG. 4

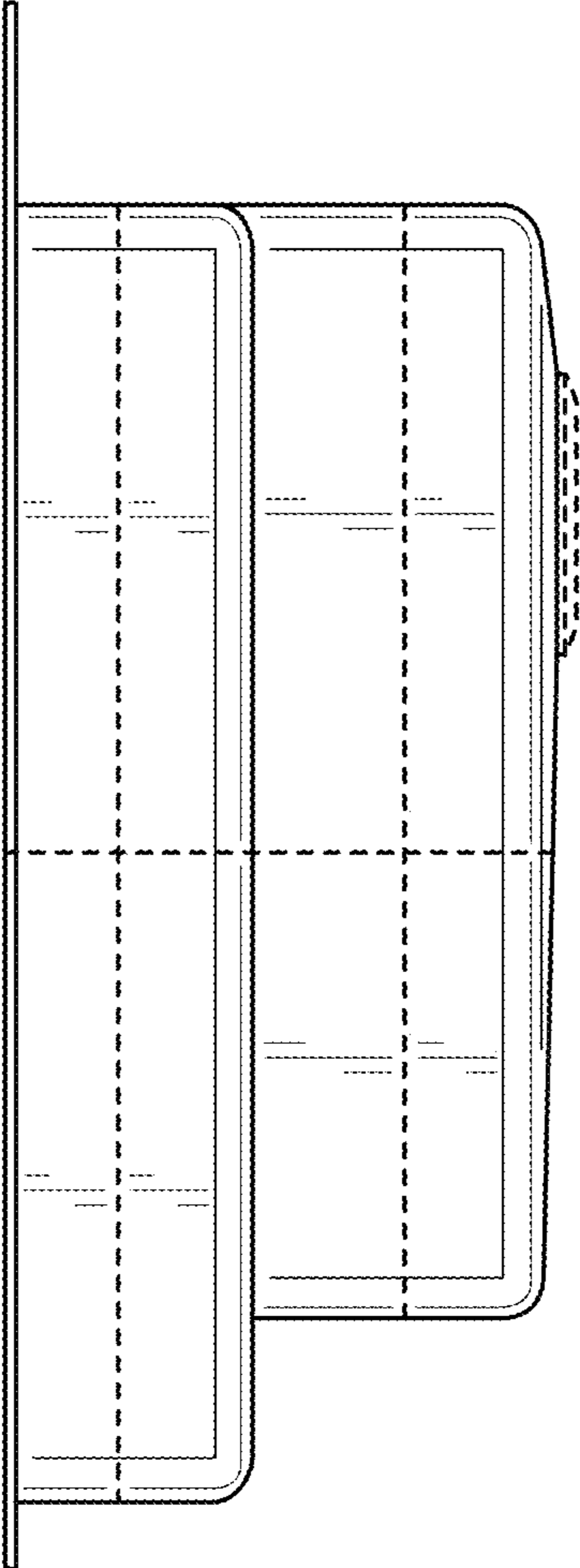


FIG. 5

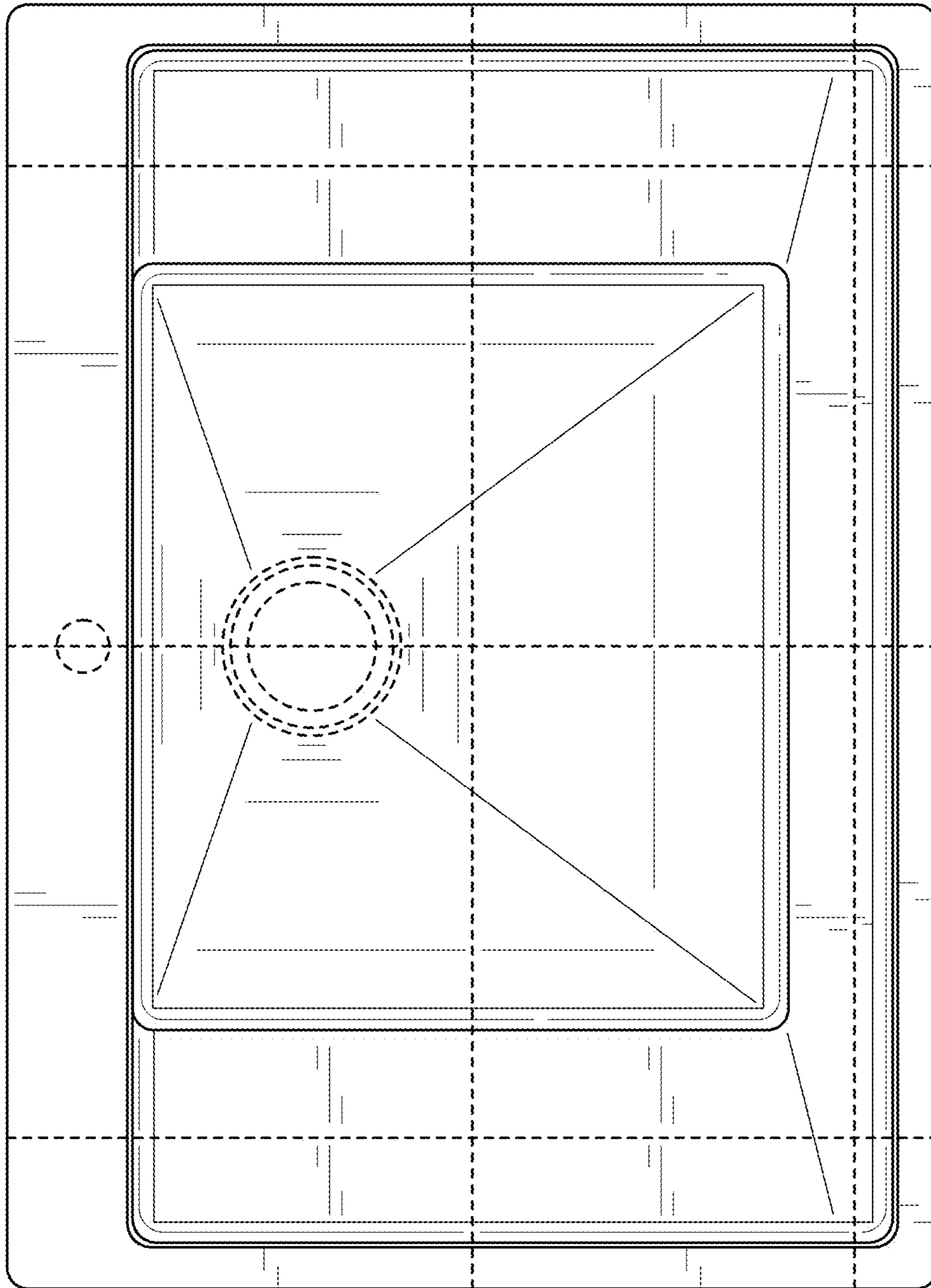


FIG. 6

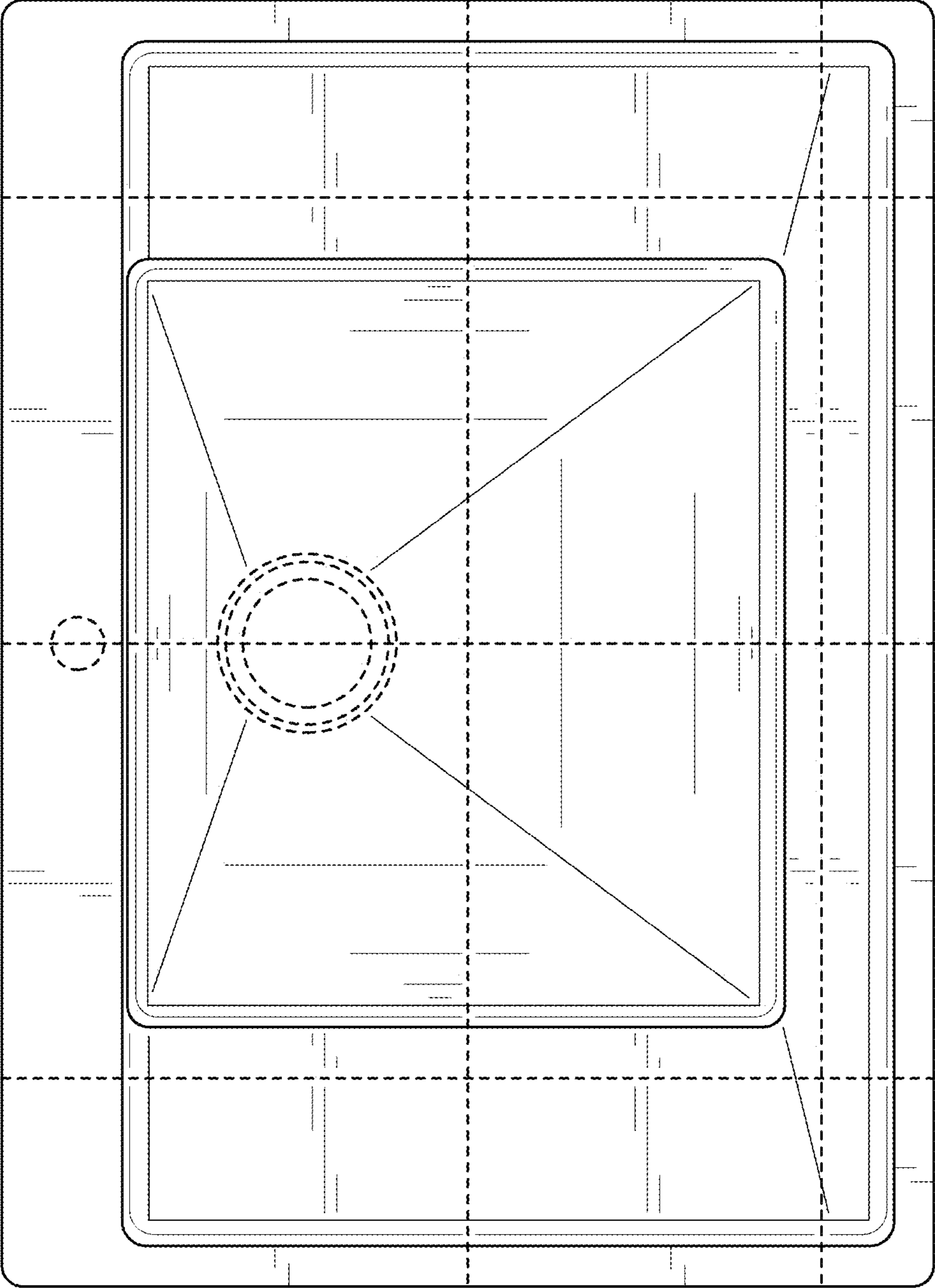


FIG. 7