



US00D912226S

(12) **United States Design Patent** (10) **Patent No.:** **US D912,226 S**  
**Chong et al.** (45) **Date of Patent:** **\*\* Mar. 2, 2021**

(54) **SINK** D799,649 S \* 10/2017 Chong ..... D23/284  
 D849,893 S \* 5/2019 Chen ..... D23/287

(71) Applicant: **Elkay Manufacturing Company**,  
 Downers Grove, IL (US) \* cited by examiner

(72) Inventors: **Jonathan Chee Yeen Chong**, Chicago,  
 IL (US); **David Alan Carhart**, Cary, IL  
 (US) *Primary Examiner* — Robert A Delehanty  
 (74) *Attorney, Agent, or Firm* — Neal, Gerber &  
 Eisenberg LLP; Tauvi B. Patel; Nawshaba M. Siddiquee

(73) Assignee: **Elkay Manufacturing Company**,  
 Downers Grove, IL (US) (57) **CLAIM**

The ornamental design for a sink, as shown and described.

(\*\*) Term: **15 Years**

(21) Appl. No.: **29/733,790**

(22) Filed: **May 6, 2020**

**Related U.S. Application Data**

(62) Division of application No. 16/746,086, filed on Jan.  
 17, 2020.

(51) **LOC (13) Cl.** ..... **23-02**

(52) **U.S. Cl.**  
 USPC ..... **D23/284**

(58) **Field of Classification Search**  
 USPC ..... D23/284, 286, 293.1, 308  
 CPC ..... A47B 77/06  
 See application file for complete search history.

(56) **References Cited**

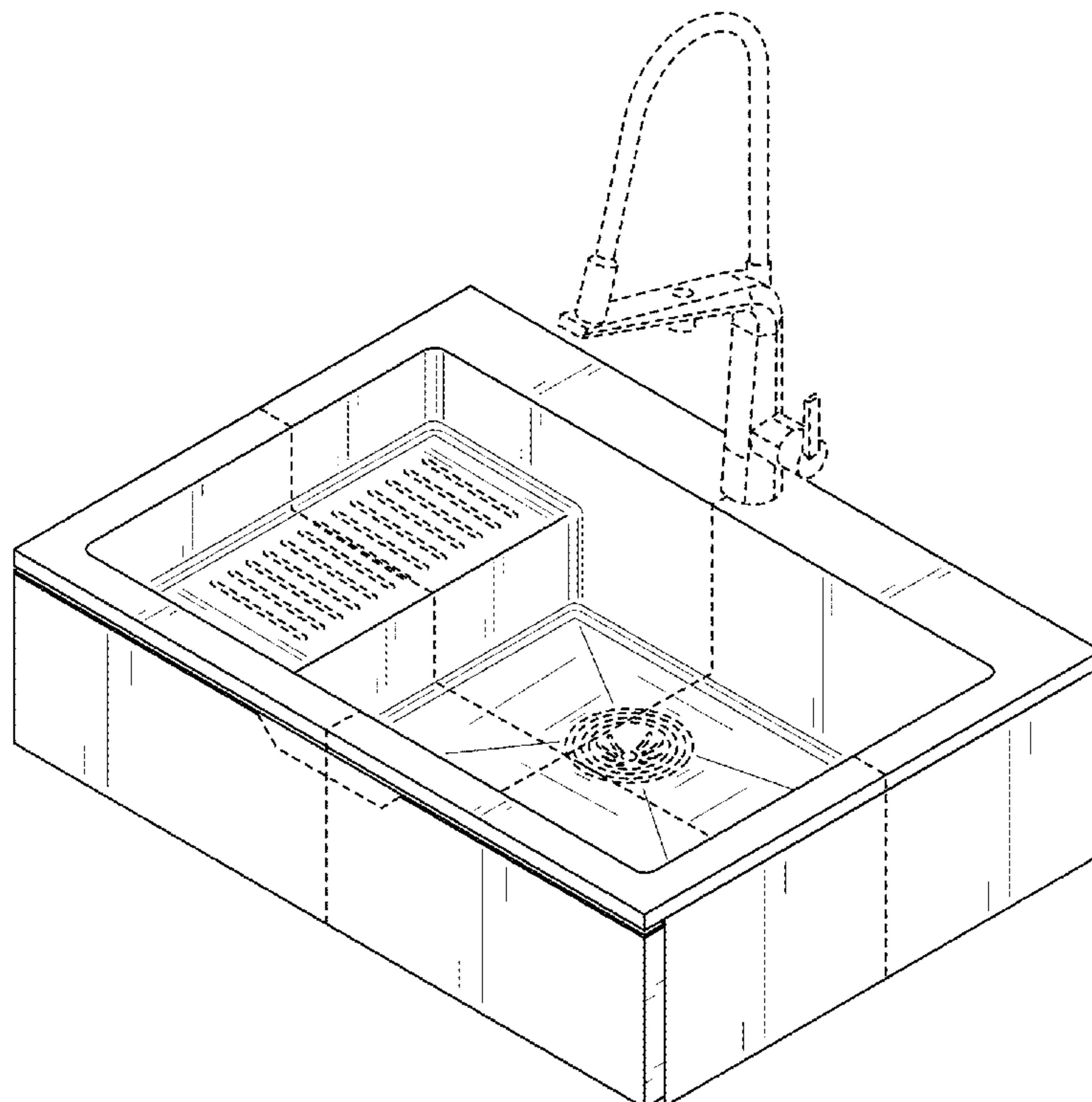
**U.S. PATENT DOCUMENTS**

D631,143 S \* 1/2011 Thomas ..... D23/284  
 D799,648 S \* 10/2017 Chong ..... D23/284

**DESCRIPTION**

FIG. 1 is a front perspective view of a sink, showing our new design.  
 FIG. 2 is a front elevation view thereof.  
 FIG. 3 is a rear elevation view thereof.  
 FIG. 4 is a first side elevation view thereof.  
 FIG. 5 is a second side elevation view thereof.  
 FIG. 6 is a top plan view thereof.  
 FIG. 7 is a bottom plan view thereof.  
 FIG. 8 is a front perspective view of a sink, without obscurement.  
 FIG. 9 is a front elevation view thereof.  
 FIG. 10 is a rear elevation view thereof.  
 FIG. 11 is a first side elevation view thereof.  
 FIG. 12 is a second side elevation view thereof.  
 FIG. 13 is a top plan view thereof; and,  
 FIG. 14 is a bottom plan view thereof.  
 The broken lines shown in the drawing views are for illustrative purposes and form no part of the claim design.

**1 Claim, 14 Drawing Sheets**



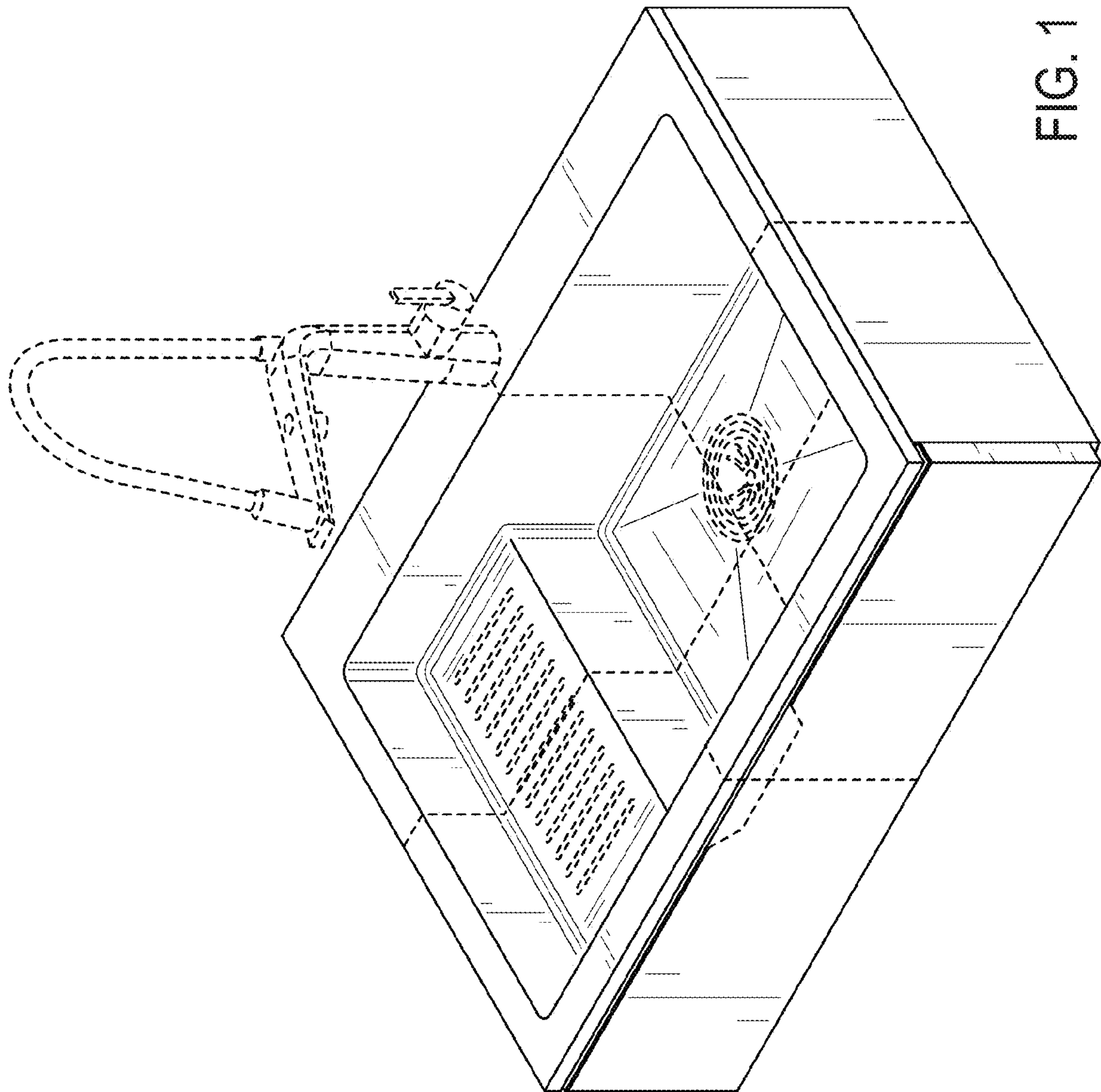


FIG. 1

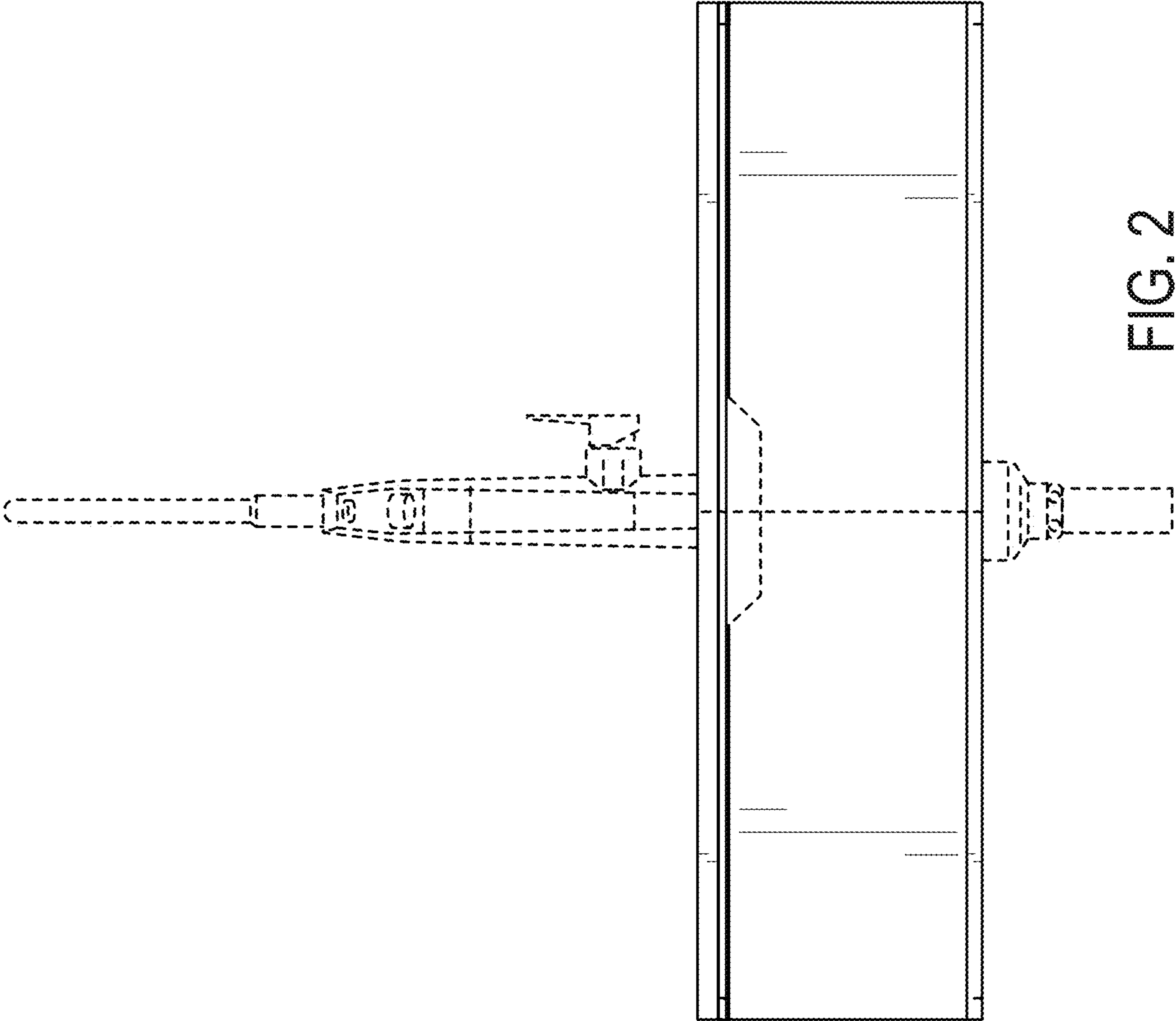


FIG. 2

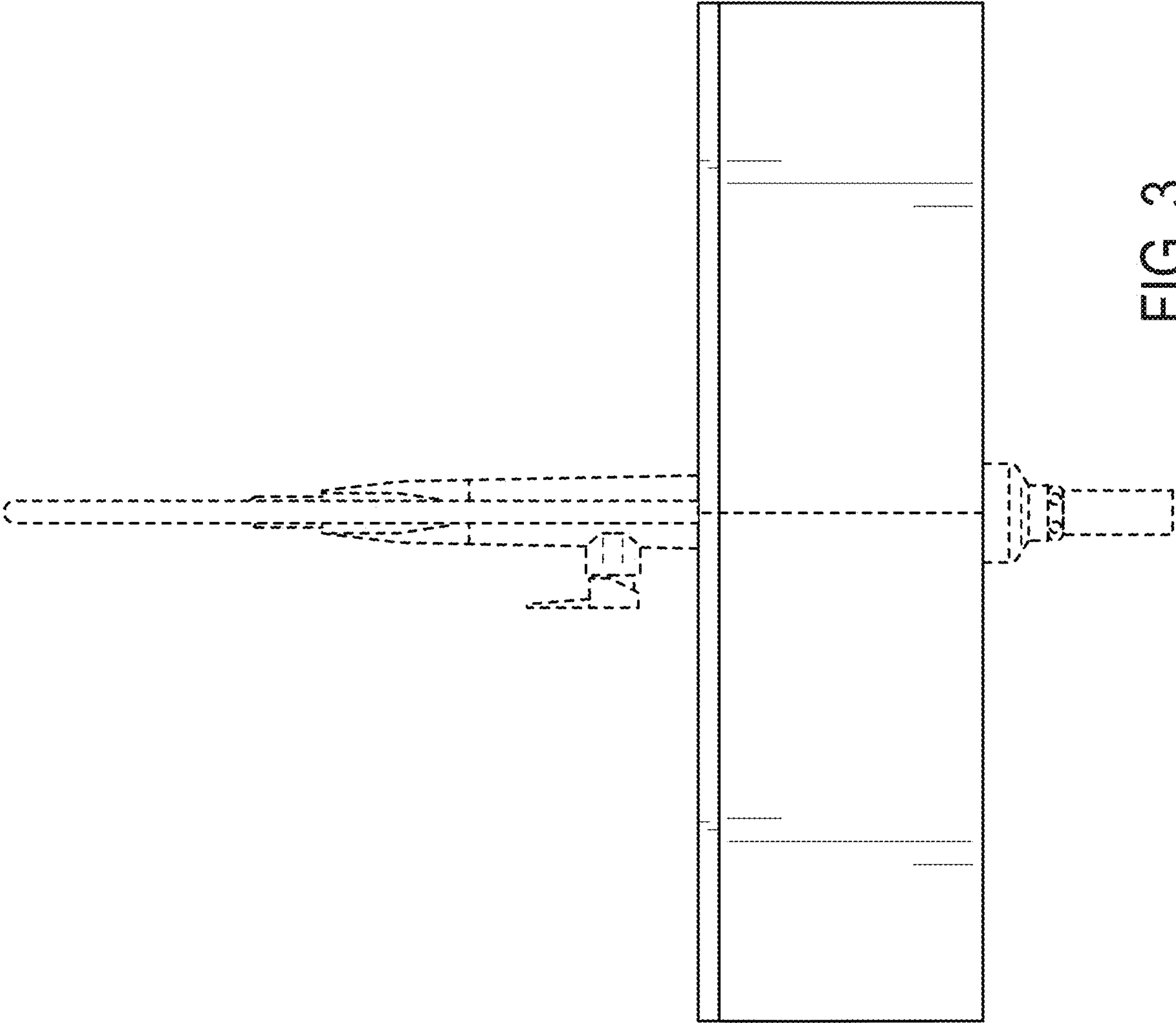


FIG. 3



FIG. 4

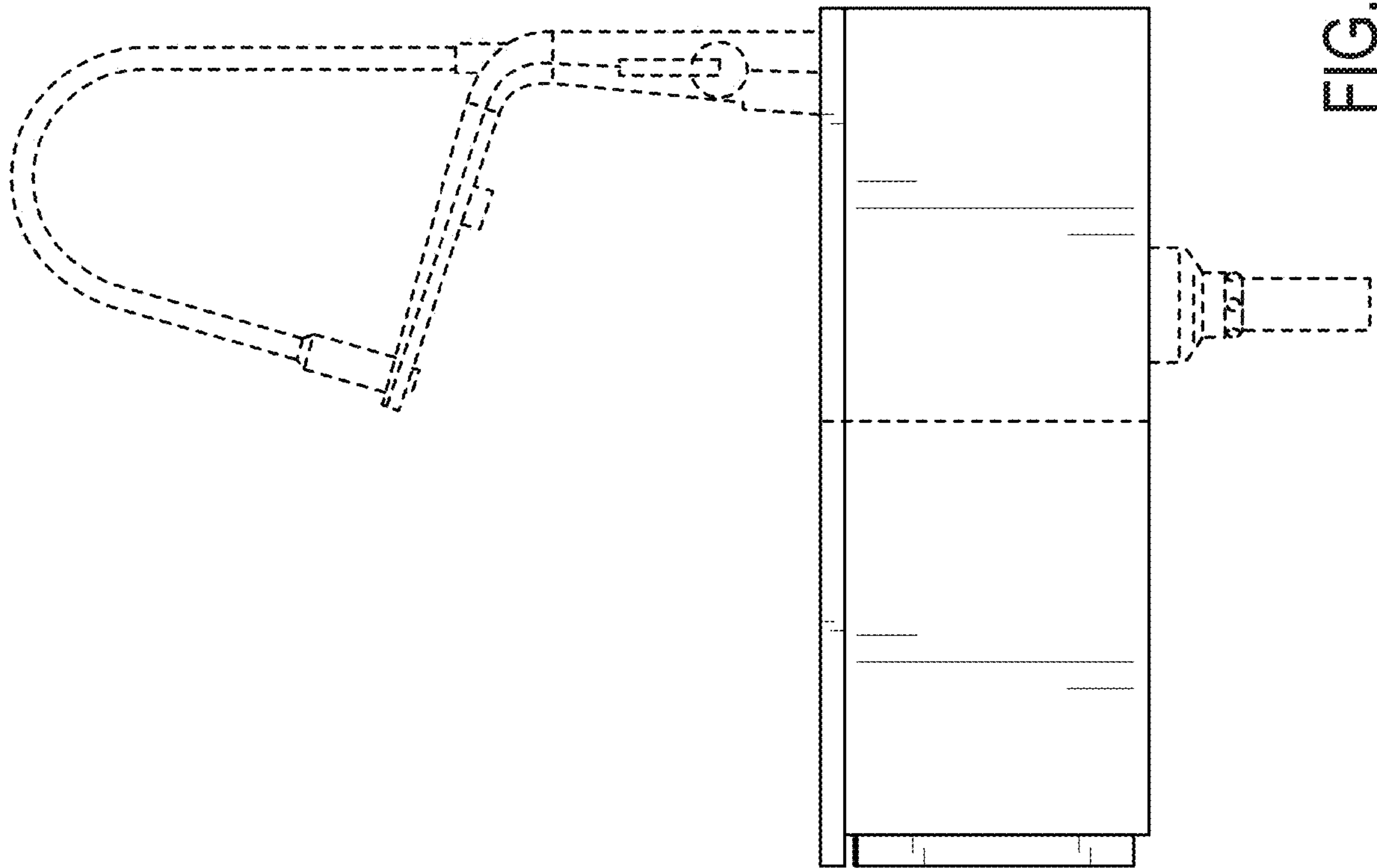


FIG. 5



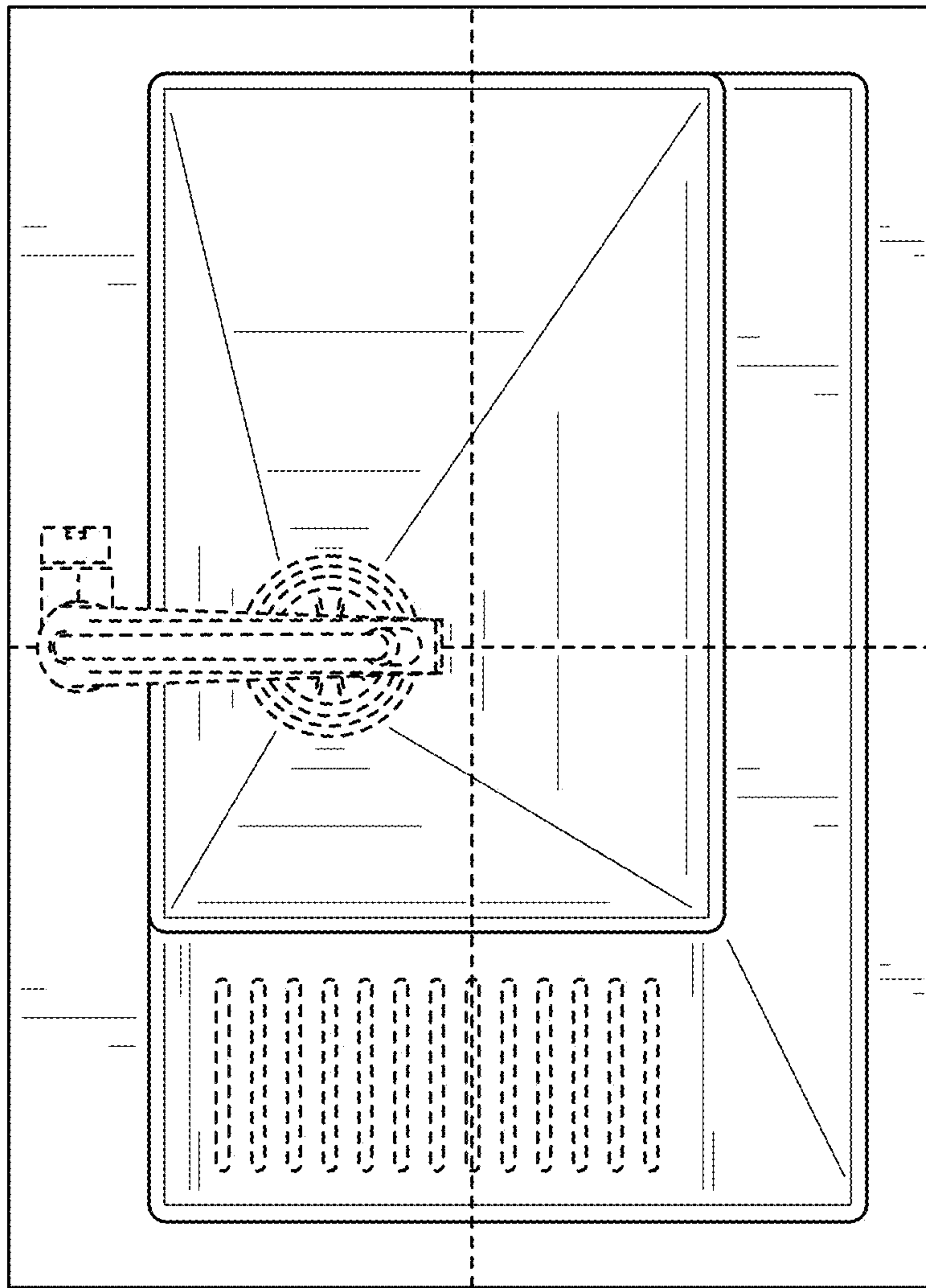


FIG. 6

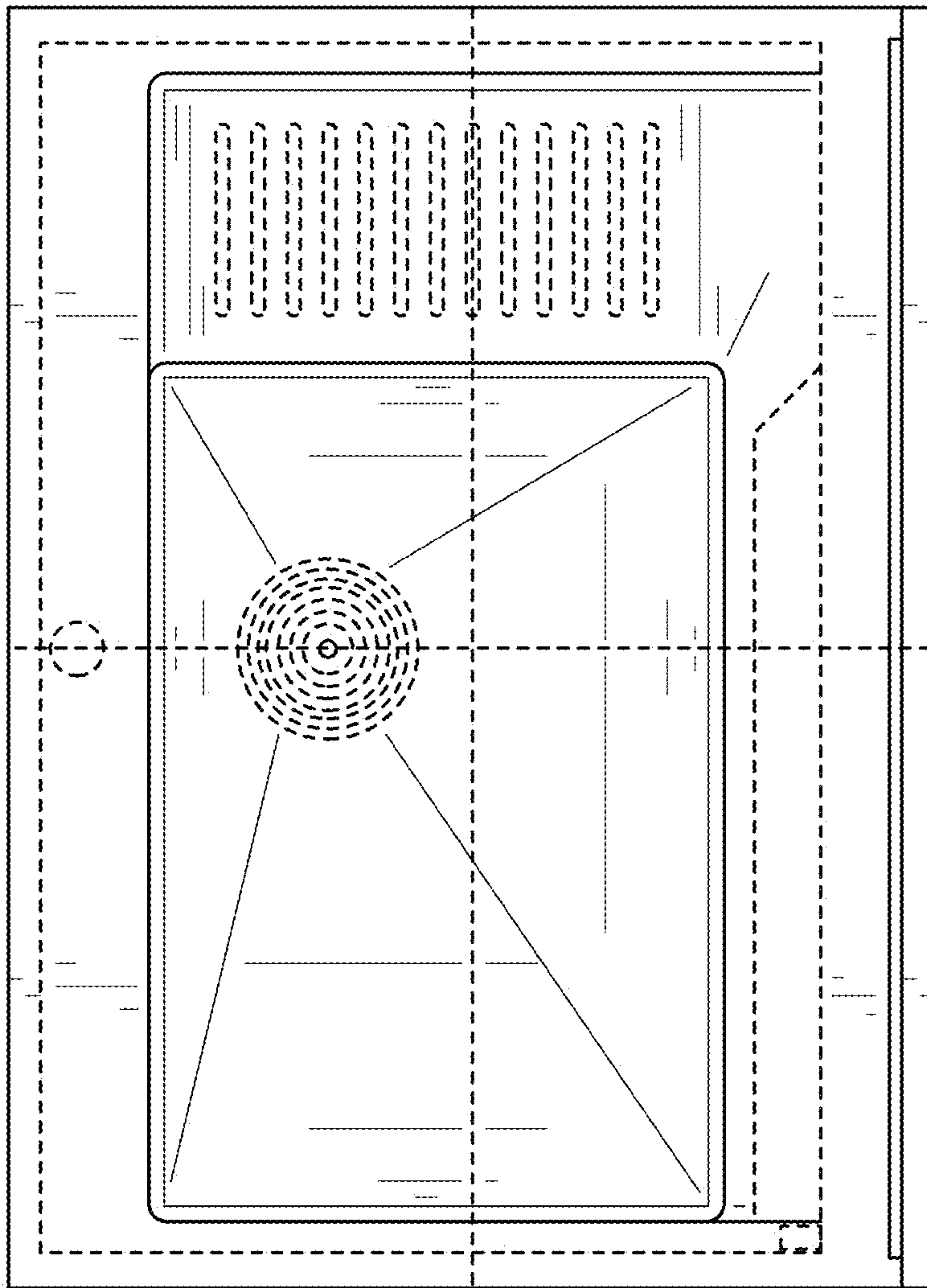


FIG. 7



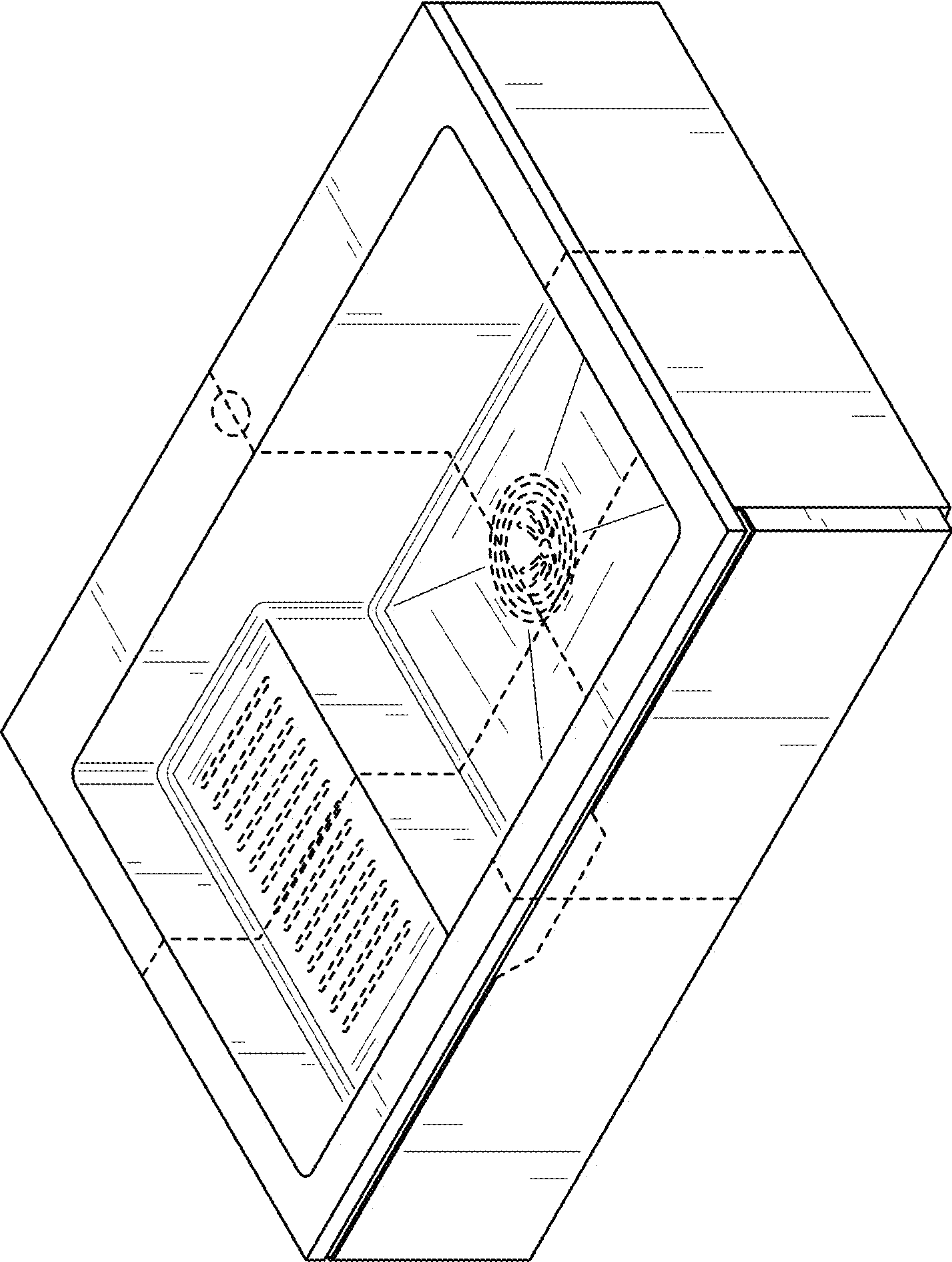


FIG. 8

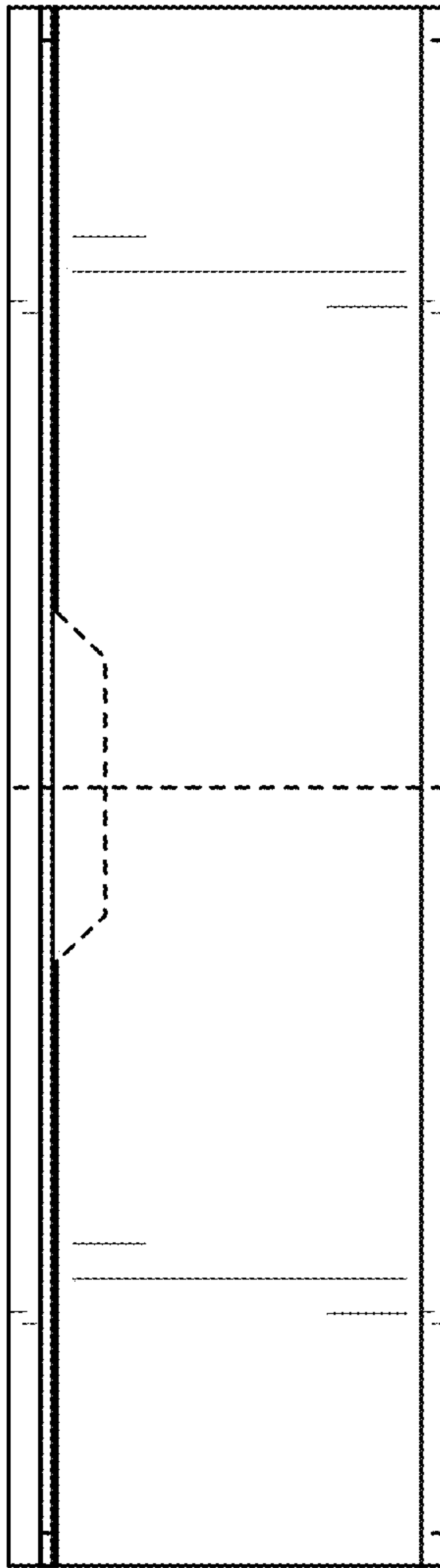


FIG. 9

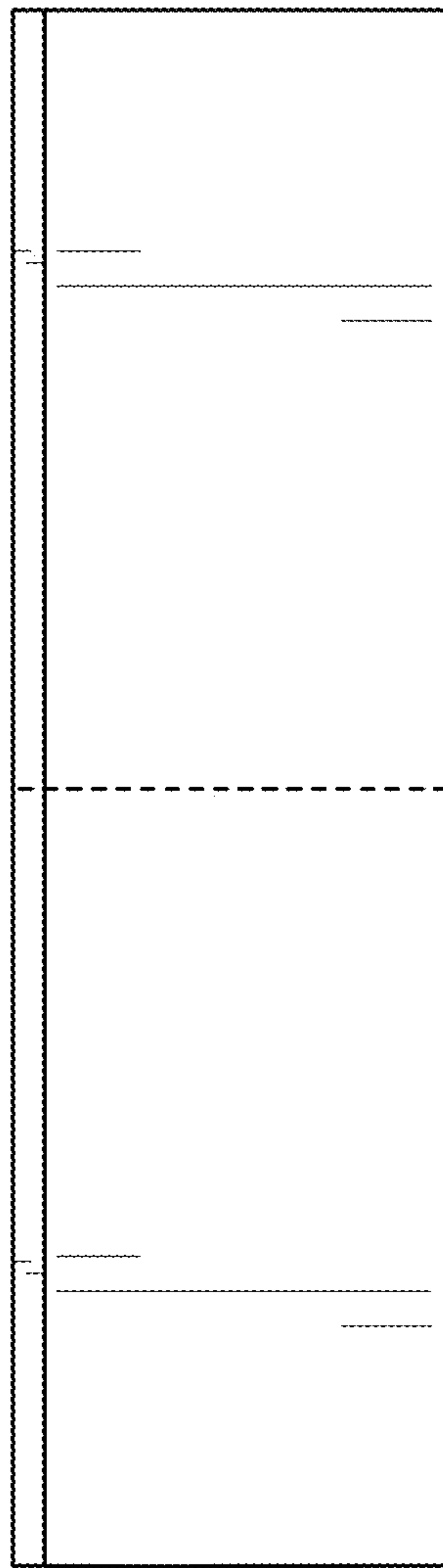


FIG. 10

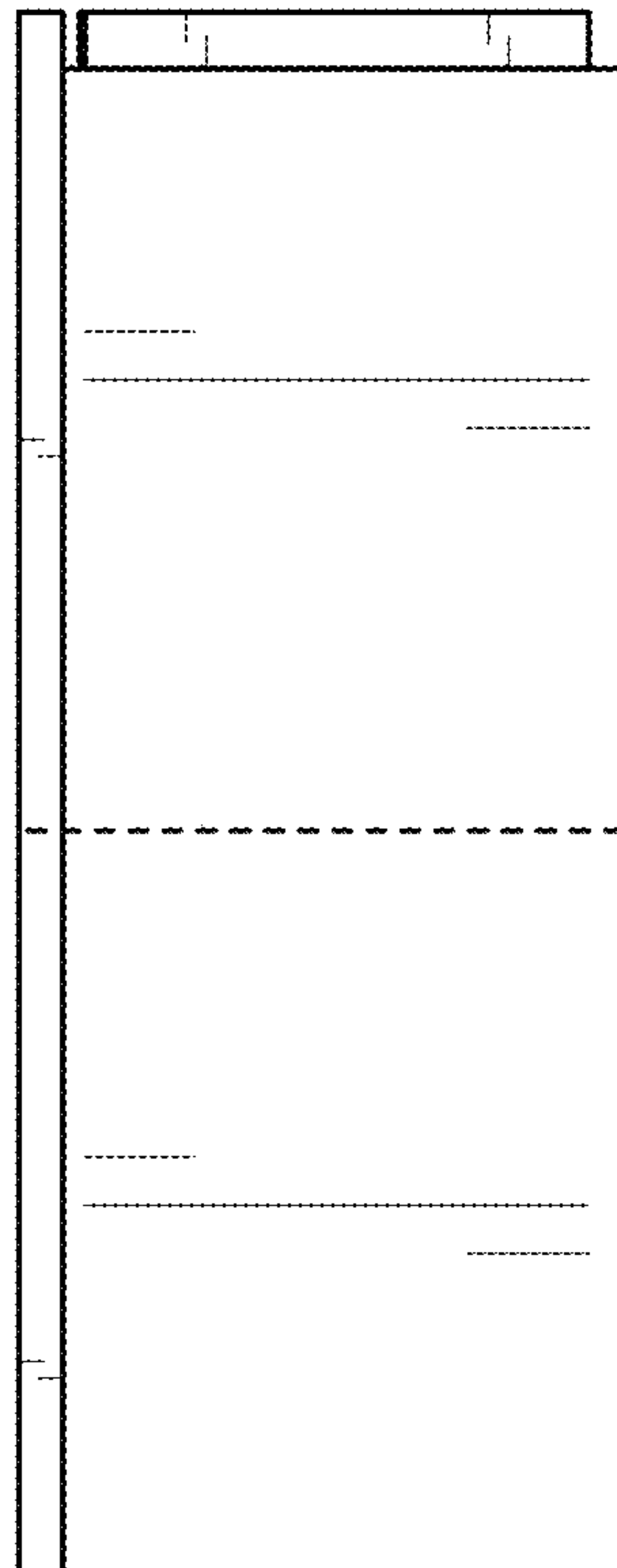


FIG. 11

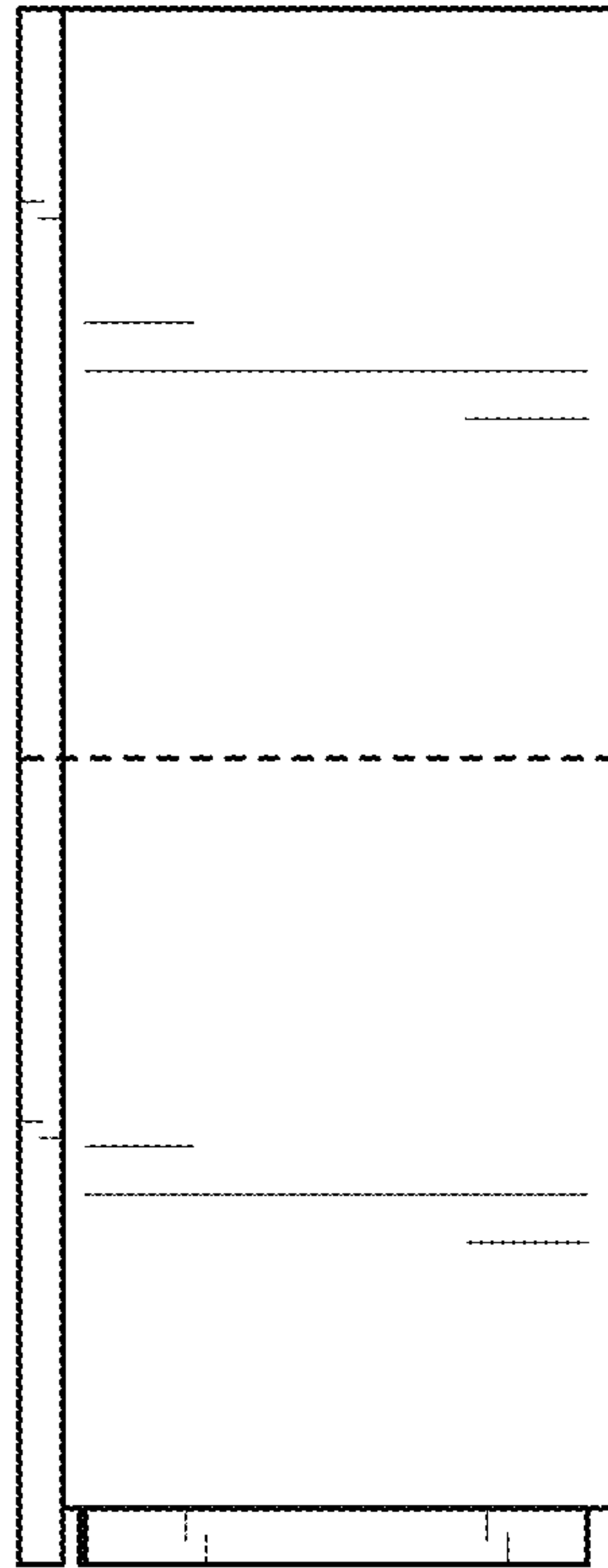


FIG. 12

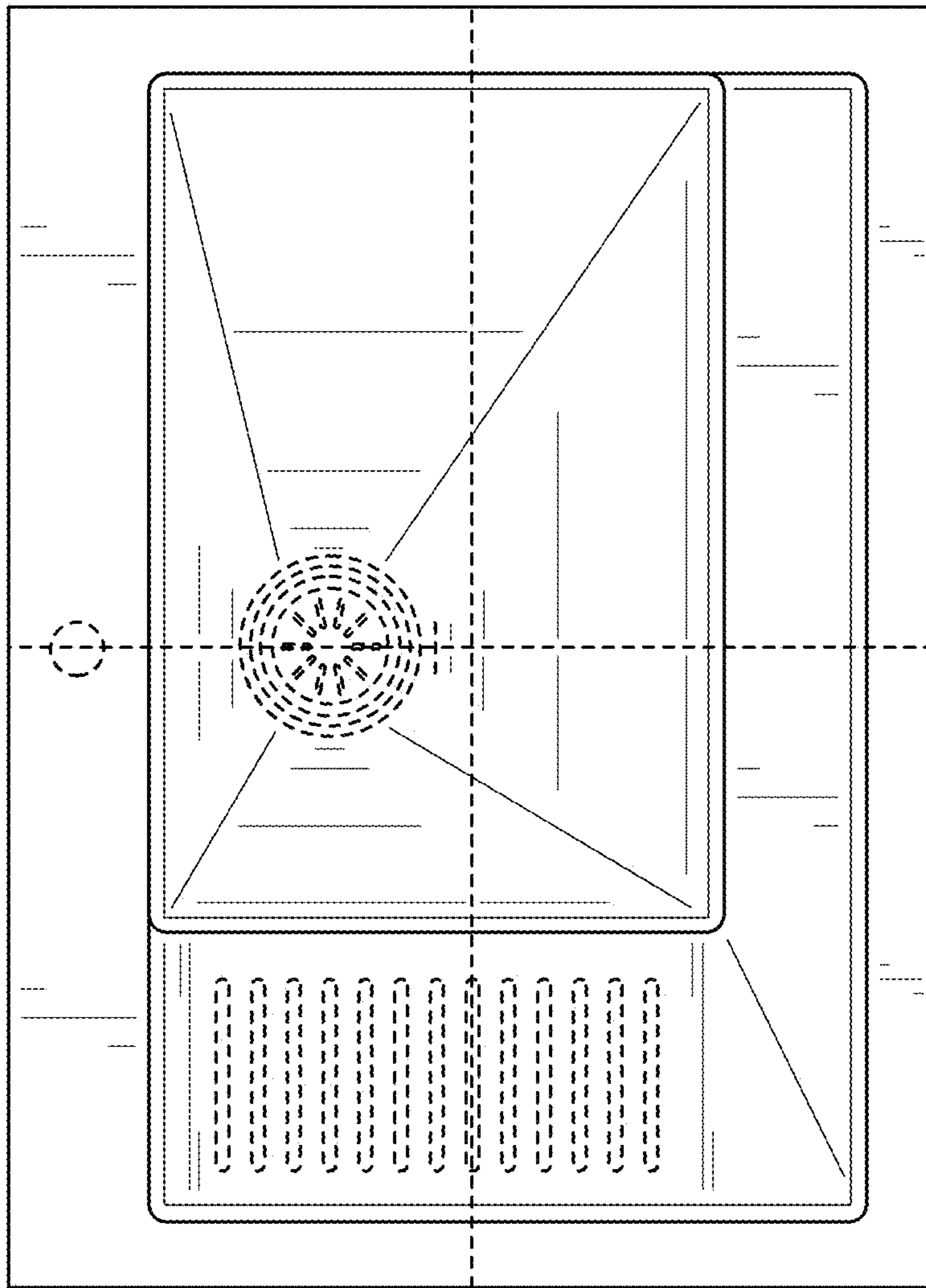


FIG. 13



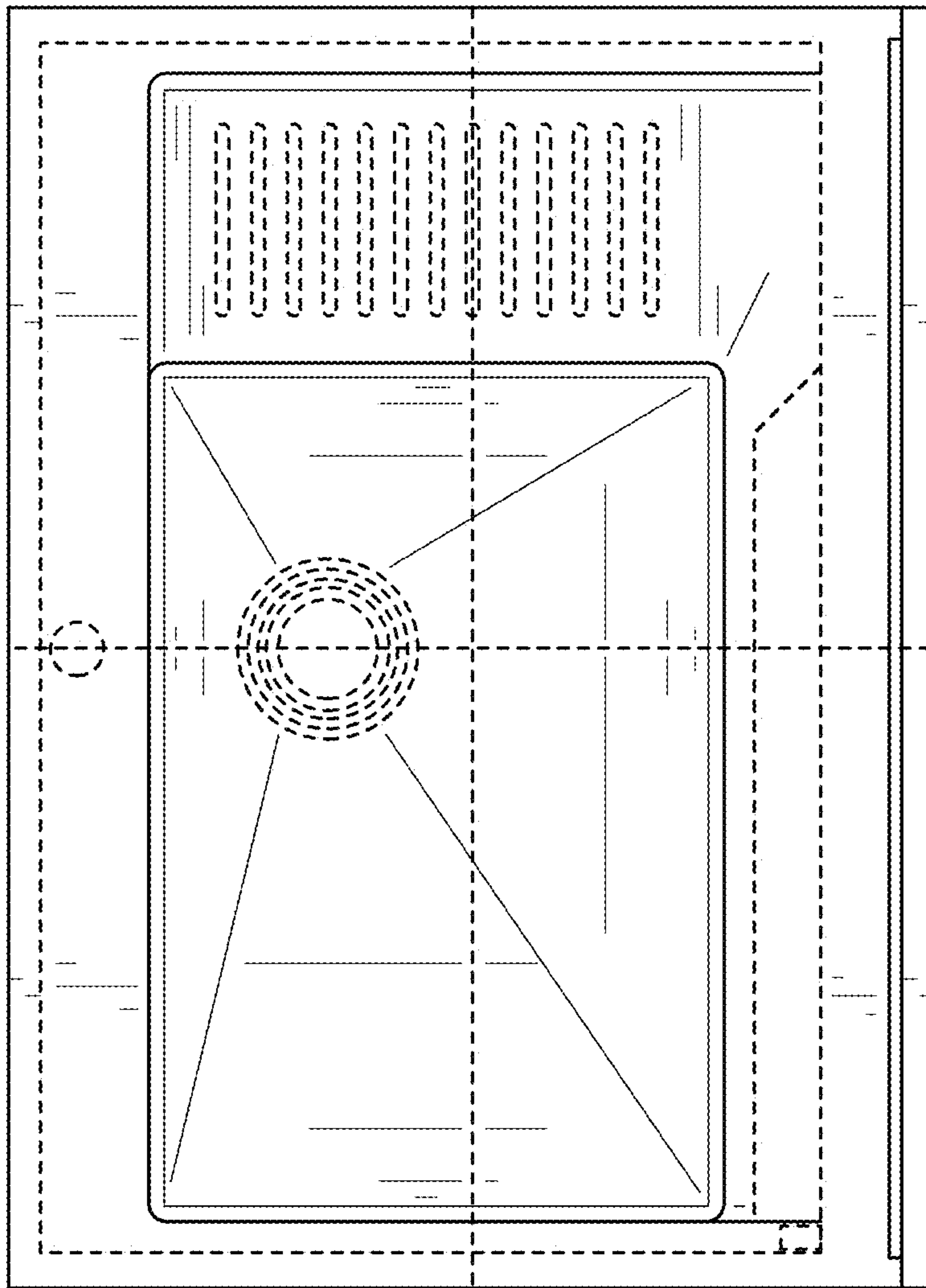


FIG. 14