



US00D912225S

(12) **United States Design Patent** (10) **Patent No.:** **US D912,225 S**
Moller et al. (45) **Date of Patent:** **** Mar. 2, 2021**

(54) **SINK**
(71) Applicant: **Kohler Co.**, Kohler, WI (US)
(72) Inventors: **Adam M. Moller**, Grafton, WI (US);
Shawn J. Booth, Sheboygan, WI (US);
Richard C. Kong, Sheboygan, WI (US)
(73) Assignee: **Kohler Co.**, Kohler, WI (US)
(**) Term: **15 Years**
(21) Appl. No.: **29/692,259**
(22) Filed: **May 23, 2019**
(51) **LOC (13) Cl.** **23-02**
(52) **U.S. Cl.**
USPC **D23/284**
(58) **Field of Classification Search**
USPC D23/284, 286, 293.1, 308
CPC A47B 77/06
See application file for complete search history.

Primary Examiner — Robert A Delehanty
(74) *Attorney, Agent, or Firm* — Lempia Summerfield
Katz LLC

(57) **CLAIM**

We claim the ornamental design for a sink, as shown and described.

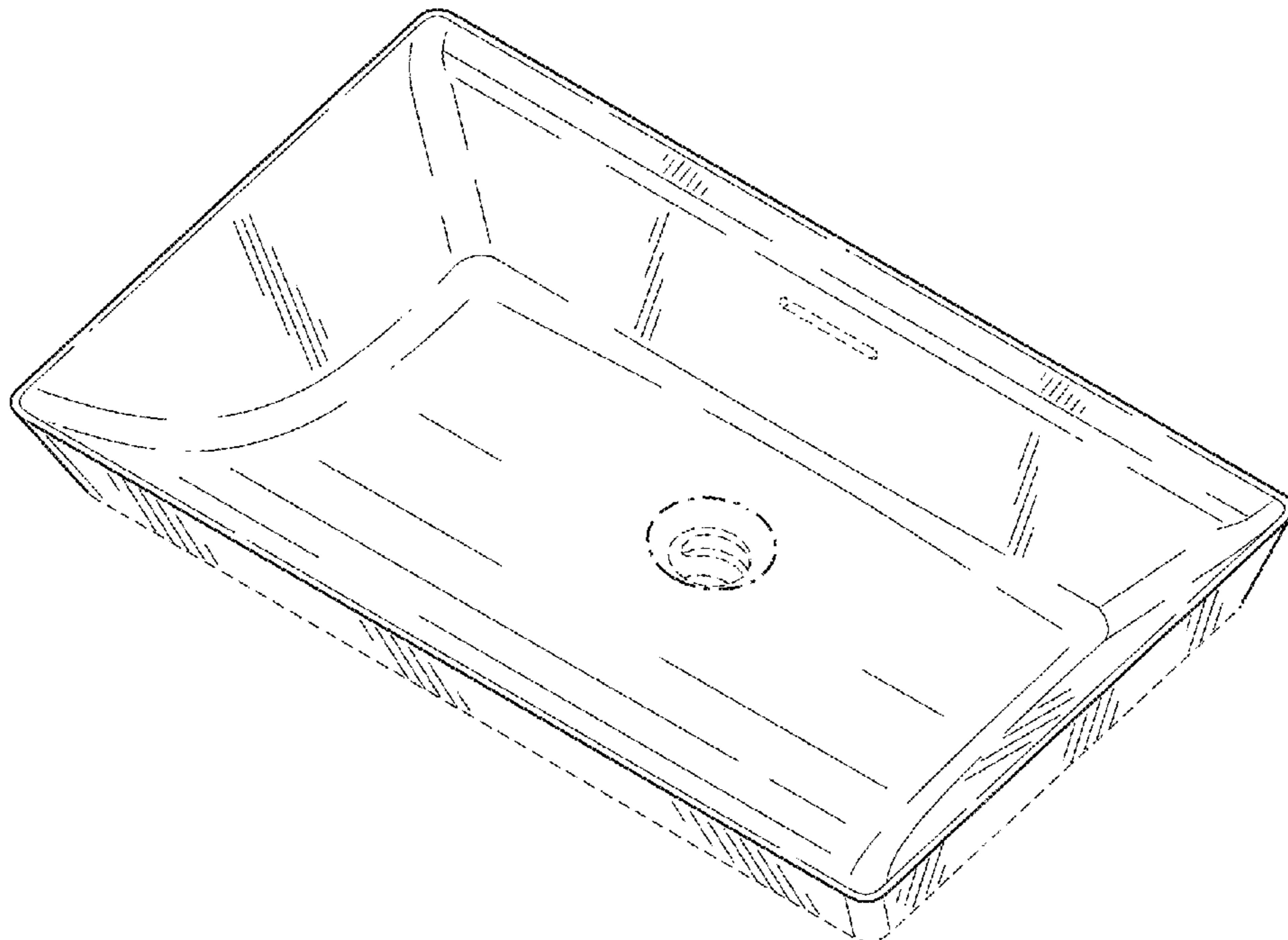
DESCRIPTION

FIG. 1 is a perspective view of an embodiment of the claimed design;
FIG. 2 is a top view of the embodiment of FIG. 1;
FIG. 3 is a bottom view of the embodiment of FIG. 1;
FIG. 4 is a front view of the embodiment of FIG. 1;
FIG. 5 is a rear view of the embodiment of FIG. 1;
FIG. 6 is a side view of the embodiment of FIG. 1;
FIG. 7 is another side view of the embodiment of FIG. 1;
FIG. 8 is a cross-sectional view of the claimed design shown in FIG. 1 taken along line 8-8 in FIG. 2; and,
FIG. 9 is a cross-sectional view of the claimed design shown in FIG. 1 taken along line 9-9 in FIG. 2.
The ornamental design that is claimed is shown in the drawings as solid lines and surfaces having surface shading. The broken lines in the drawings are for illustrative purposes only and form no part of the claimed design. For example, broken lines formed by equal length dashes show unclaimed portions of the design. Broken lines formed of unequal length dashes (i.e., dash-dot) show boundaries between either claimed and unclaimed portions of the design or between unclaimed and unclaimed portions of the design.

(56) **References Cited**
U.S. PATENT DOCUMENTS
D274,642 S 7/1984 Doman
D282,201 S 1/1986 Doman
D295,669 S 5/1988 Kolada
D295,670 S 5/1988 Reid et al.
D319,691 S 9/1991 Yvetot
D337,376 S 7/1993 Ragonot
D507,334 S * 7/2005 Ferrer Beltran D23/293.1
D609,315 S 2/2010 Soulier
D710,978 S * 8/2014 Spangler D23/293.1
D854,129 S * 7/2019 Kluck D23/284
D890,311 S * 7/2020 Belozerova D23/290

* cited by examiner

1 Claim, 6 Drawing Sheets



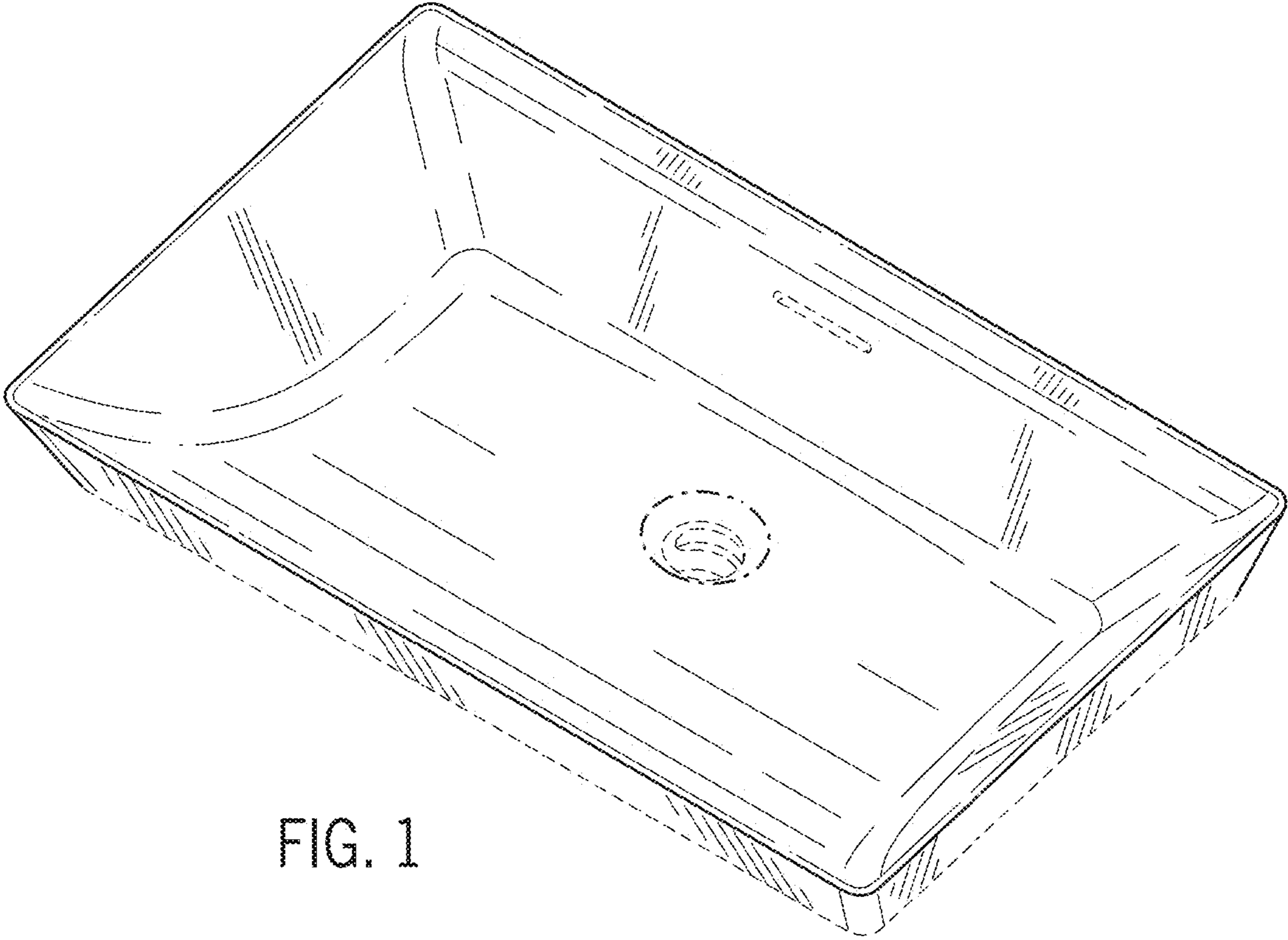


FIG. 1

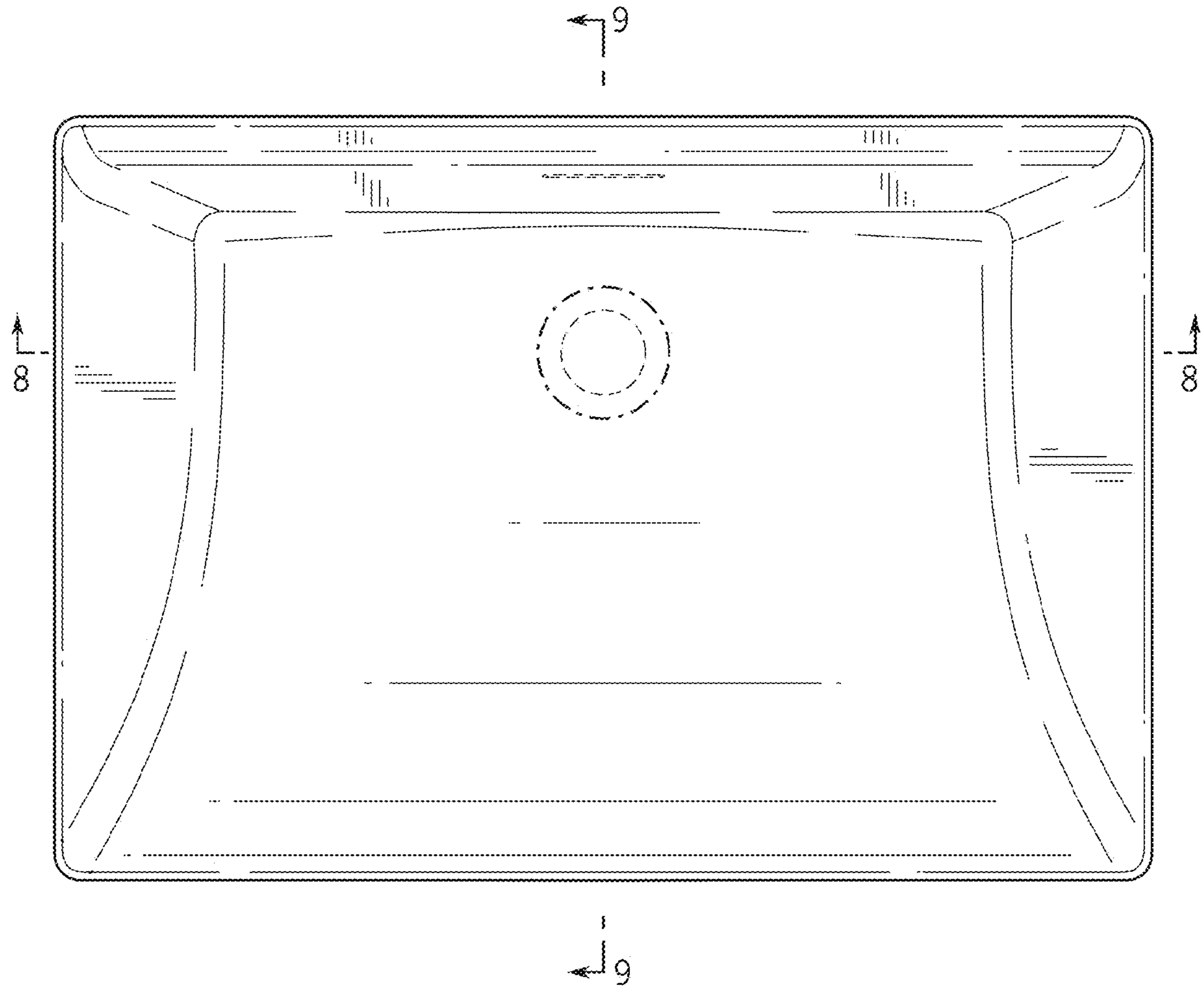


FIG. 2

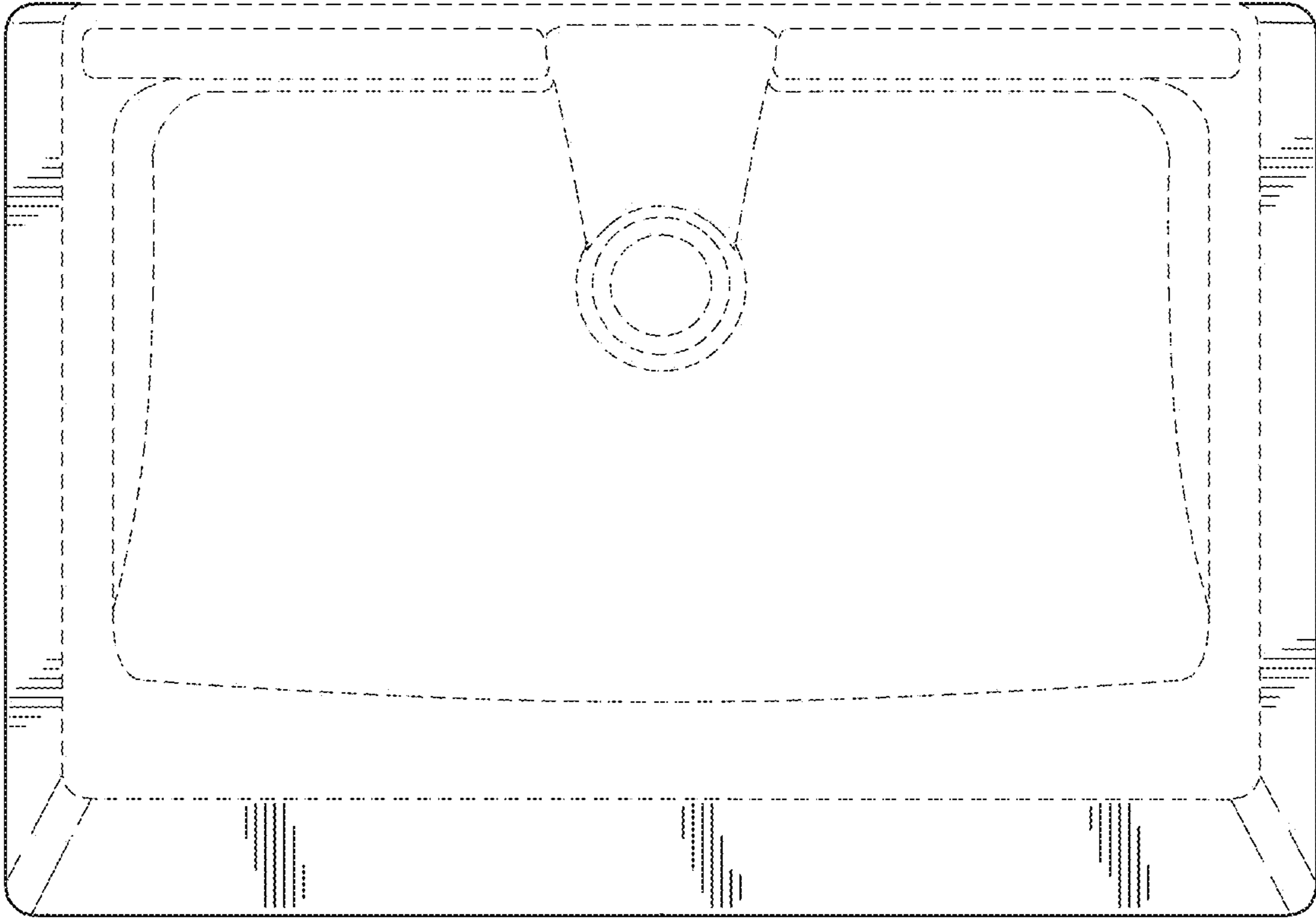


FIG. 3

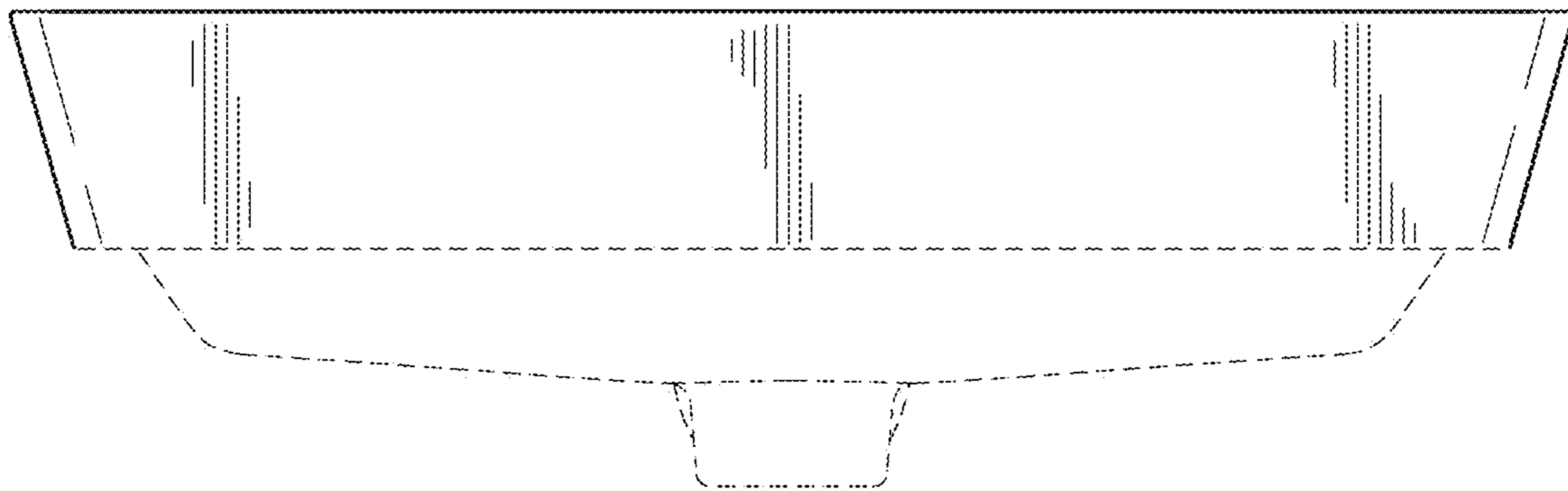


FIG. 4

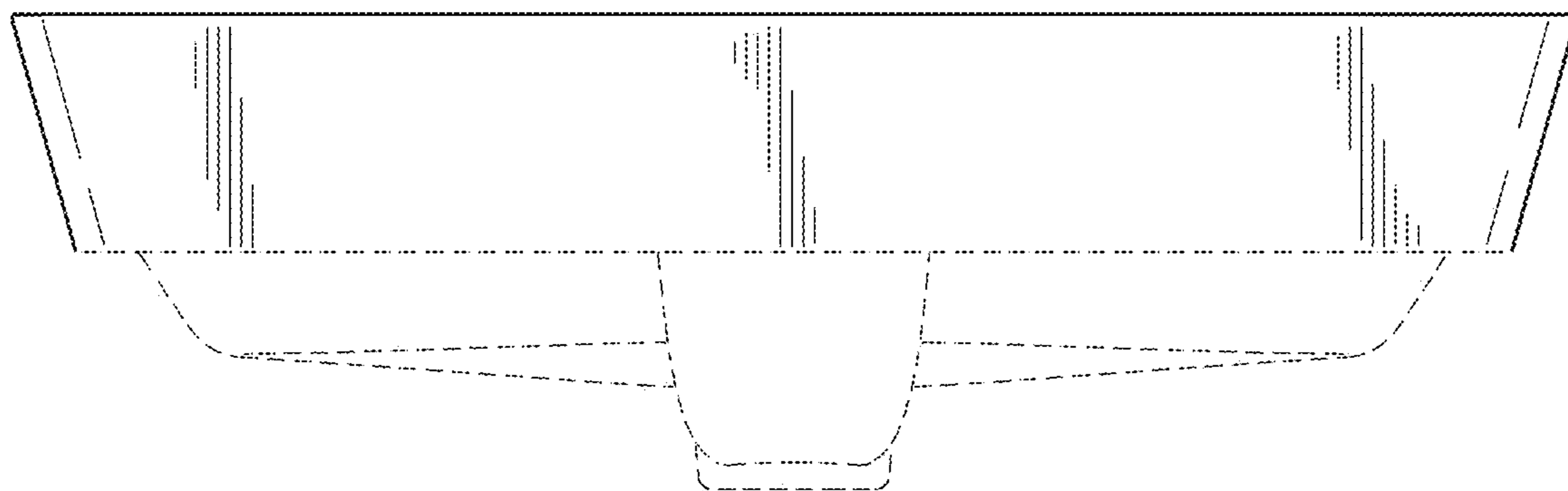


FIG. 5

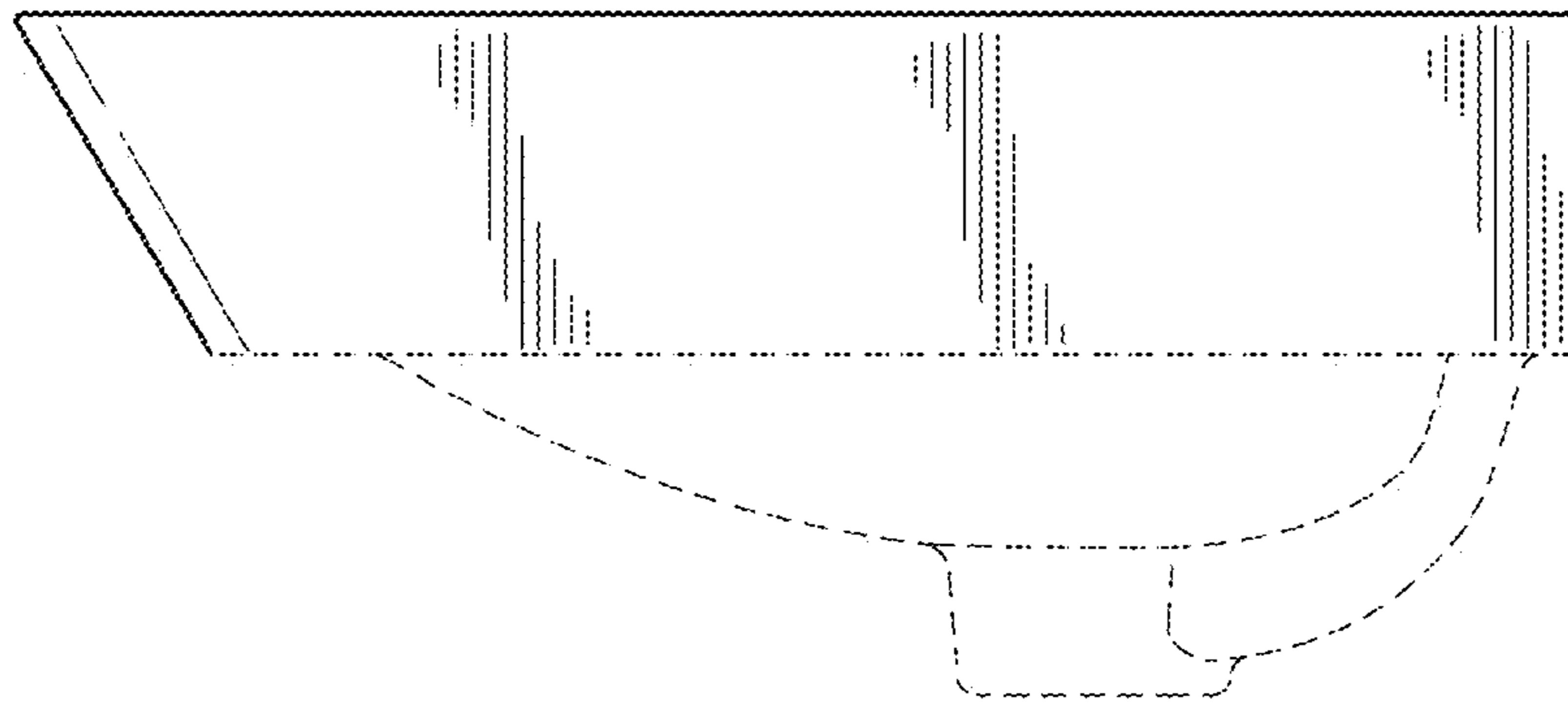


FIG. 6

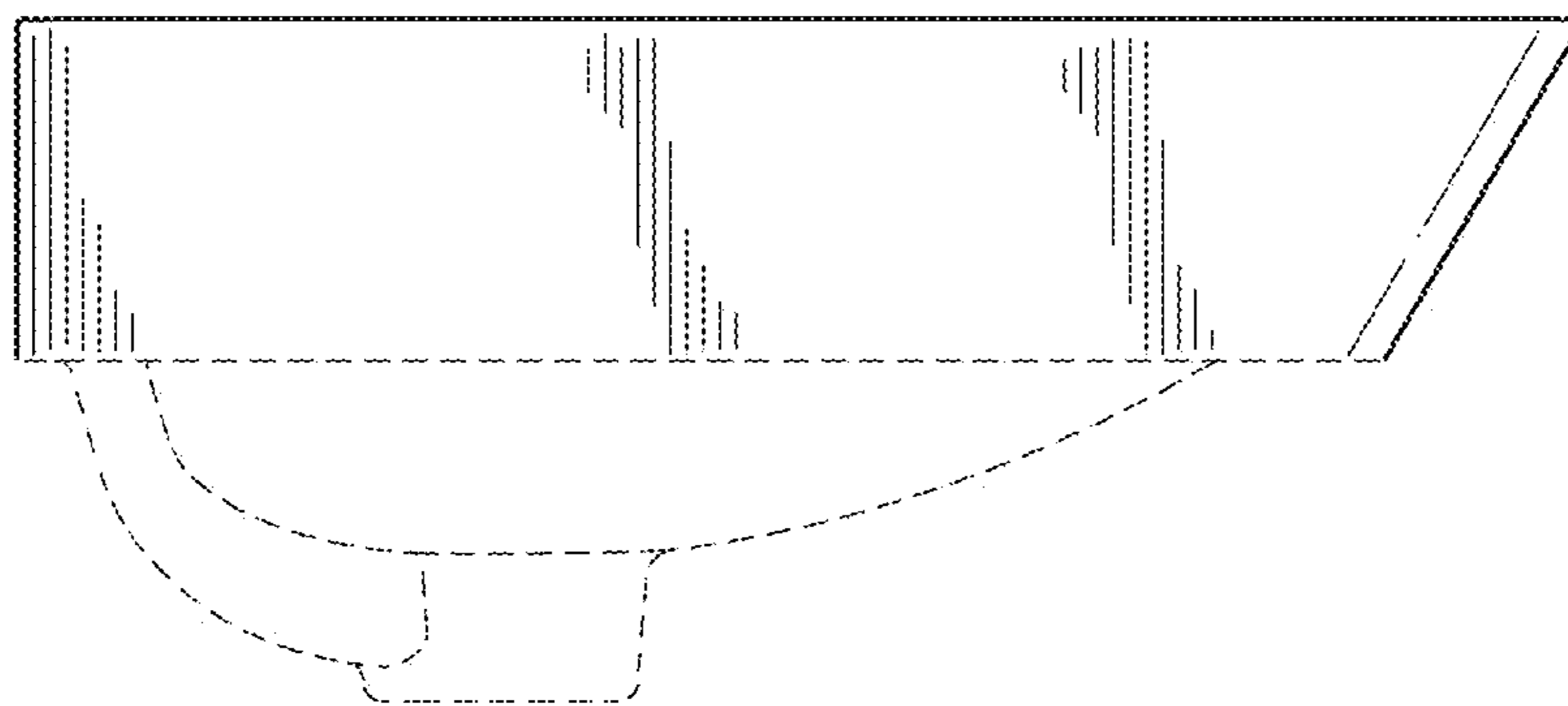


FIG. 7

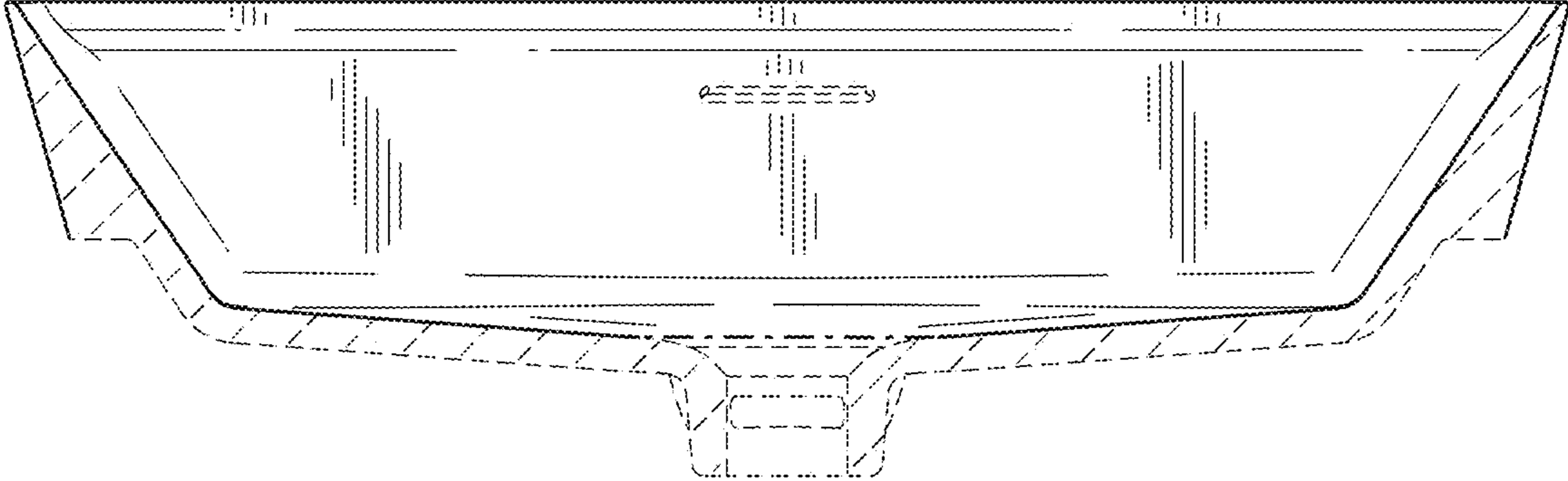


FIG. 8

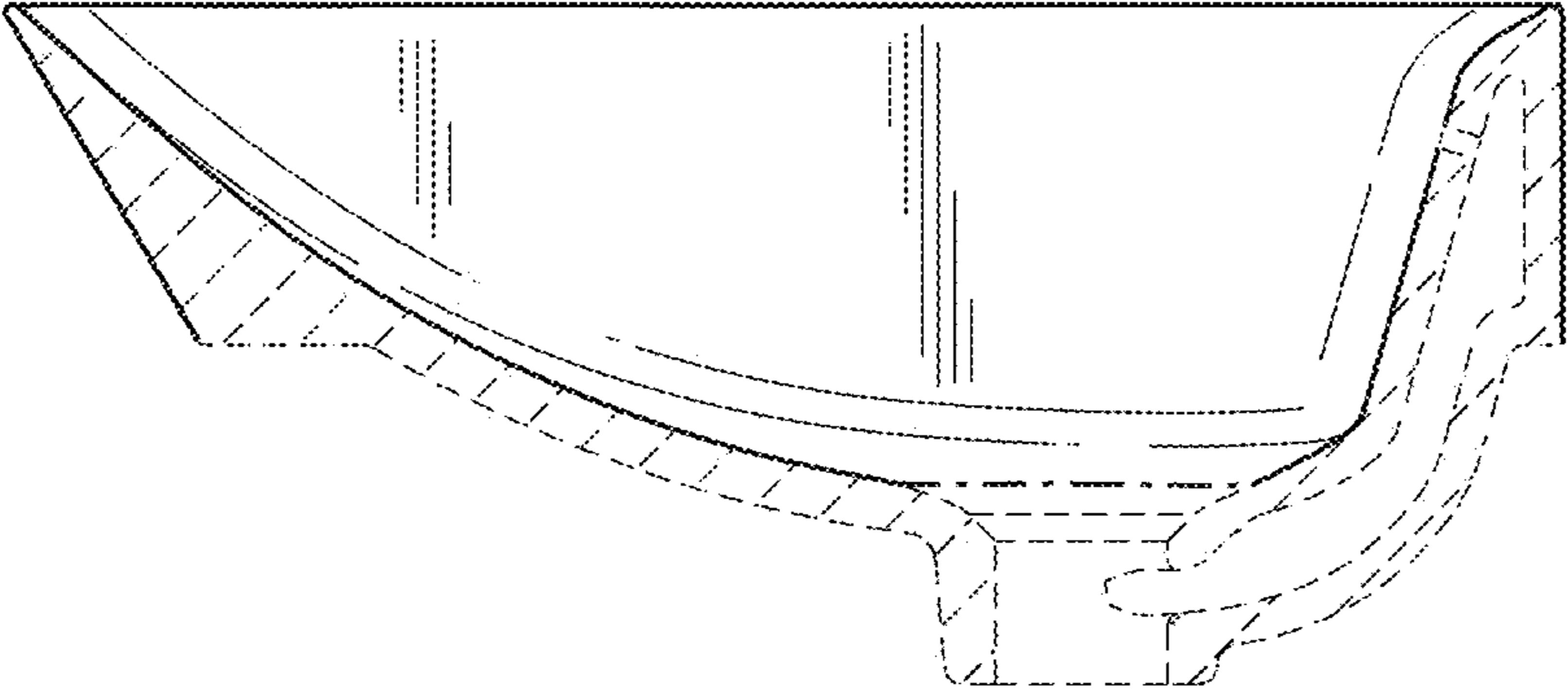


FIG. 9