



US00D912224S

(12) **United States Design Patent**
Moller et al.

(10) **Patent No.:** **US D912,224 S**

(45) **Date of Patent:** **** Mar. 2, 2021**

(54) **SINK**

(71) Applicant: **Kohler Co.**, Kohler, WI (US)

(72) Inventors: **Adam M. Moller**, Grafton, WI (US);
Shawn J. Booth, Sheboygan, WI (US);
Richard C. Kong, Sheboygan, WI (US)

(73) Assignee: **Kohler Co.**, Kohler, WI (US)

(**) Term: **15 Years**

(21) Appl. No.: **29/692,255**

(22) Filed: **May 23, 2019**

(51) **LOC (13) Cl.** **23-02**

(52) **U.S. Cl.**
USPC **D23/284**

(58) **Field of Classification Search**
USPC D23/284, 286, 293.1, 308
CPC A47B 77/06
See application file for complete search history.

(56) **References Cited**

U.S. PATENT DOCUMENTS

D274,642 S 7/1984 Doman
D282,201 S 1/1986 Doman
D295,669 S 5/1988 Kolada
D295,670 S 5/1988 Reid et al.

D319,691 S 9/1991 Yvetot
D337,376 S 7/1993 Ragonot
D507,334 S * 7/2005 Ferrer Beltran D23/293.1
D609,315 S 2/2010 Soulier
D710,978 S * 8/2014 Spangler D23/293.1
D854,129 S * 7/2019 Kluck D23/284
D890,311 S * 7/2020 Belozerova D23/290

* cited by examiner

Primary Examiner — Robert A Delehanty

(74) *Attorney, Agent, or Firm* — Lempia Summerfield
Katz LLC

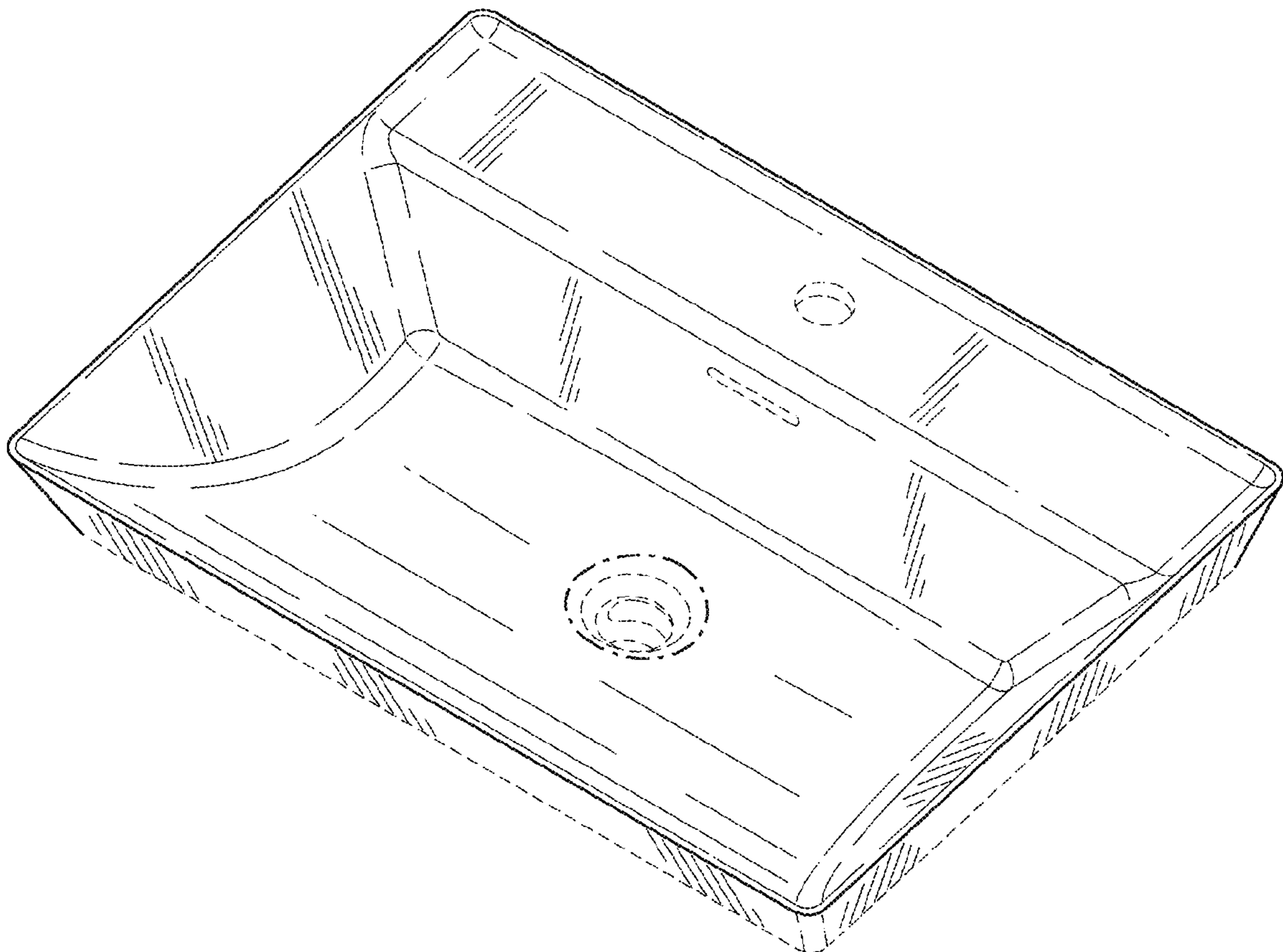
(57) **CLAIM**

We claim the ornamental design for a sink, as shown and described.

DESCRIPTION

FIG. 1 is a perspective view of an embodiment of the claimed design;
FIG. 2 is a top view of the embodiment of FIG. 1;
FIG. 3 is a bottom view of the embodiment of FIG. 1;
FIG. 4 is a front view of the embodiment of FIG. 1;
FIG. 5 is a rear view of the embodiment of FIG. 1;
FIG. 6 is a side view of the embodiment of FIG. 1;
FIG. 7 is another side view of the embodiment of FIG. 1;
FIG. 8 is a cross-sectional view taken along line 8-8 in FIG. 2; and,
FIG. 9 is a cross-sectional view taken along line 9-9 in FIG. 2.

1 Claim, 6 Drawing Sheets



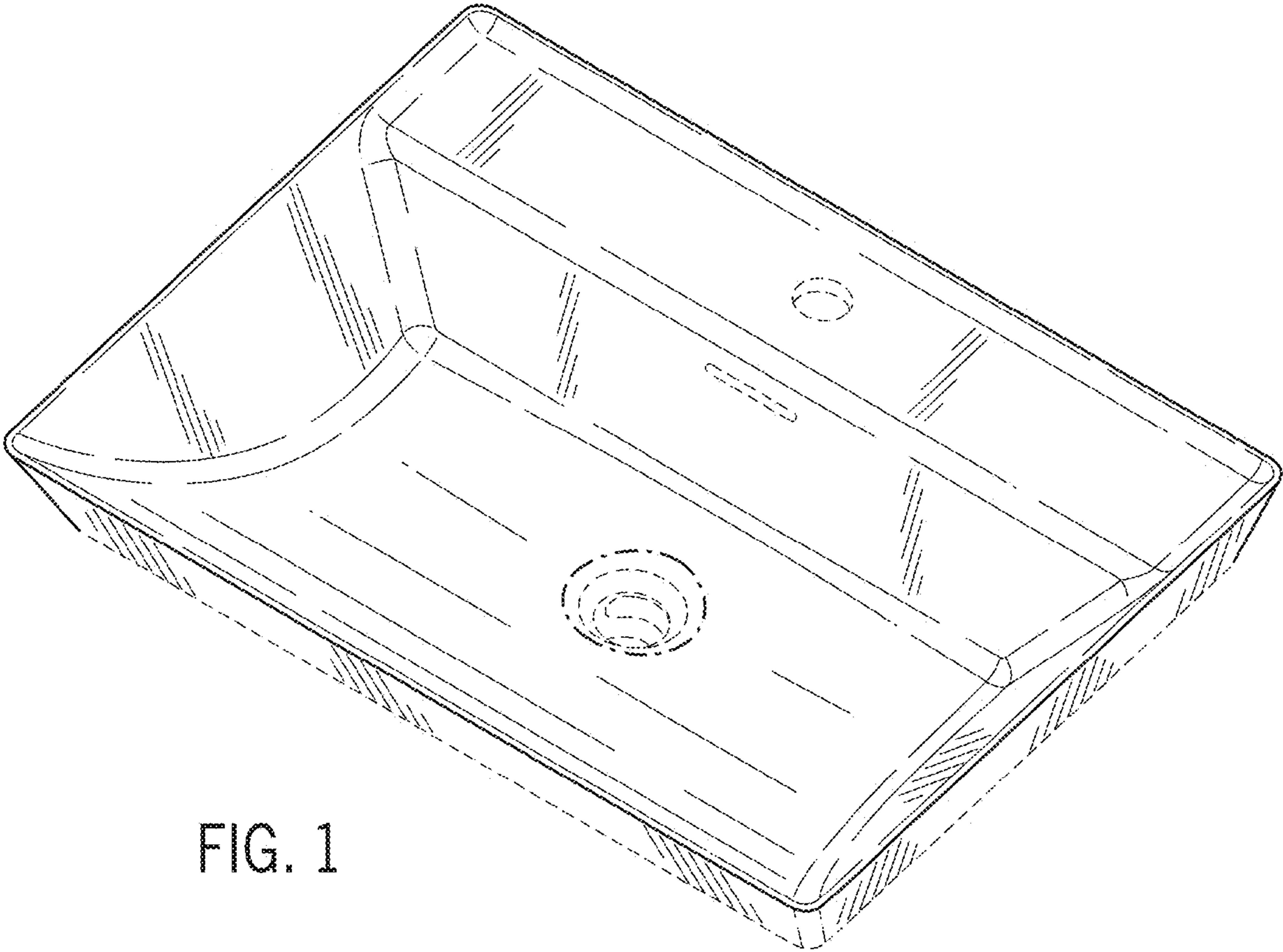


FIG. 1

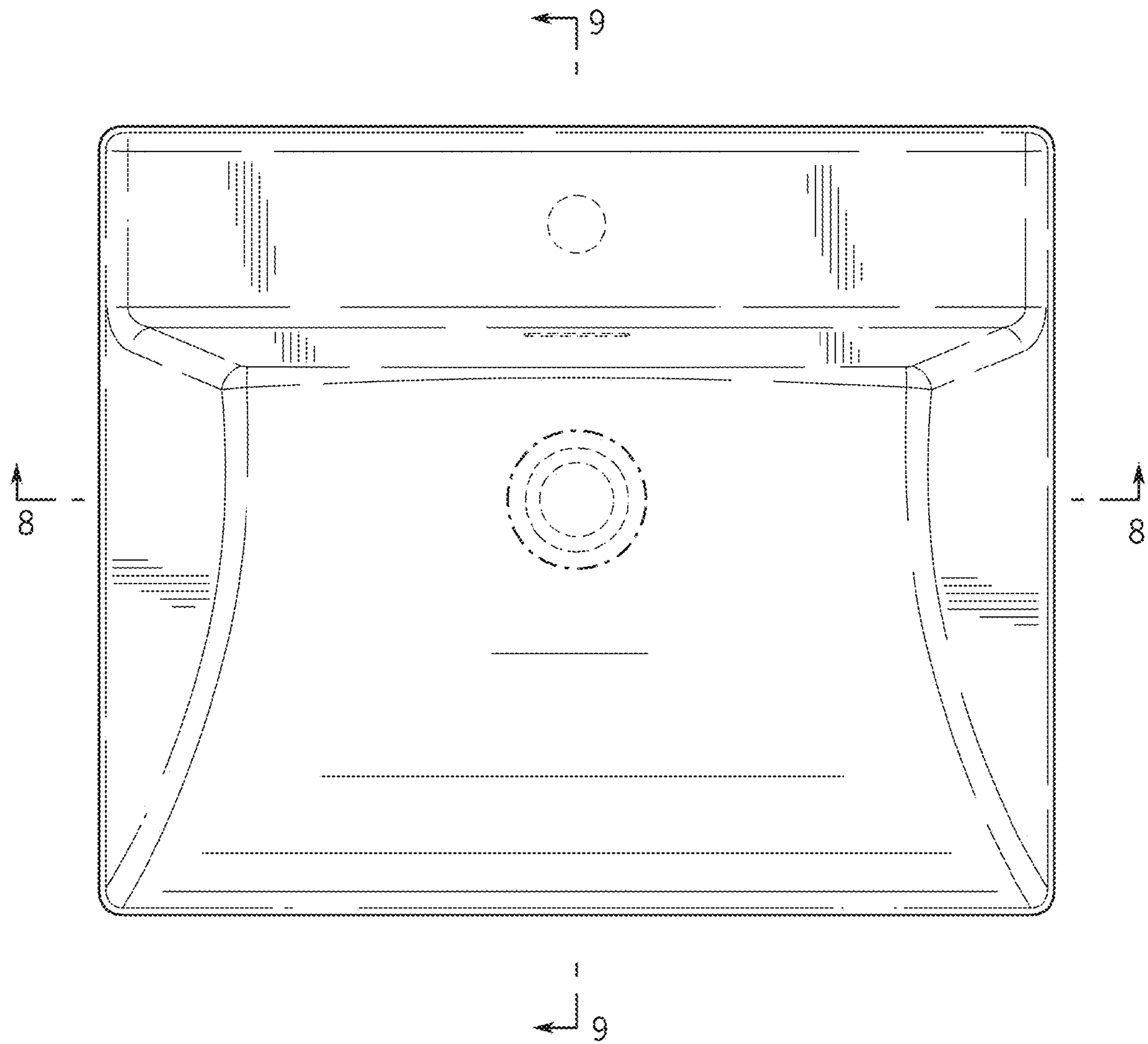


FIG. 2

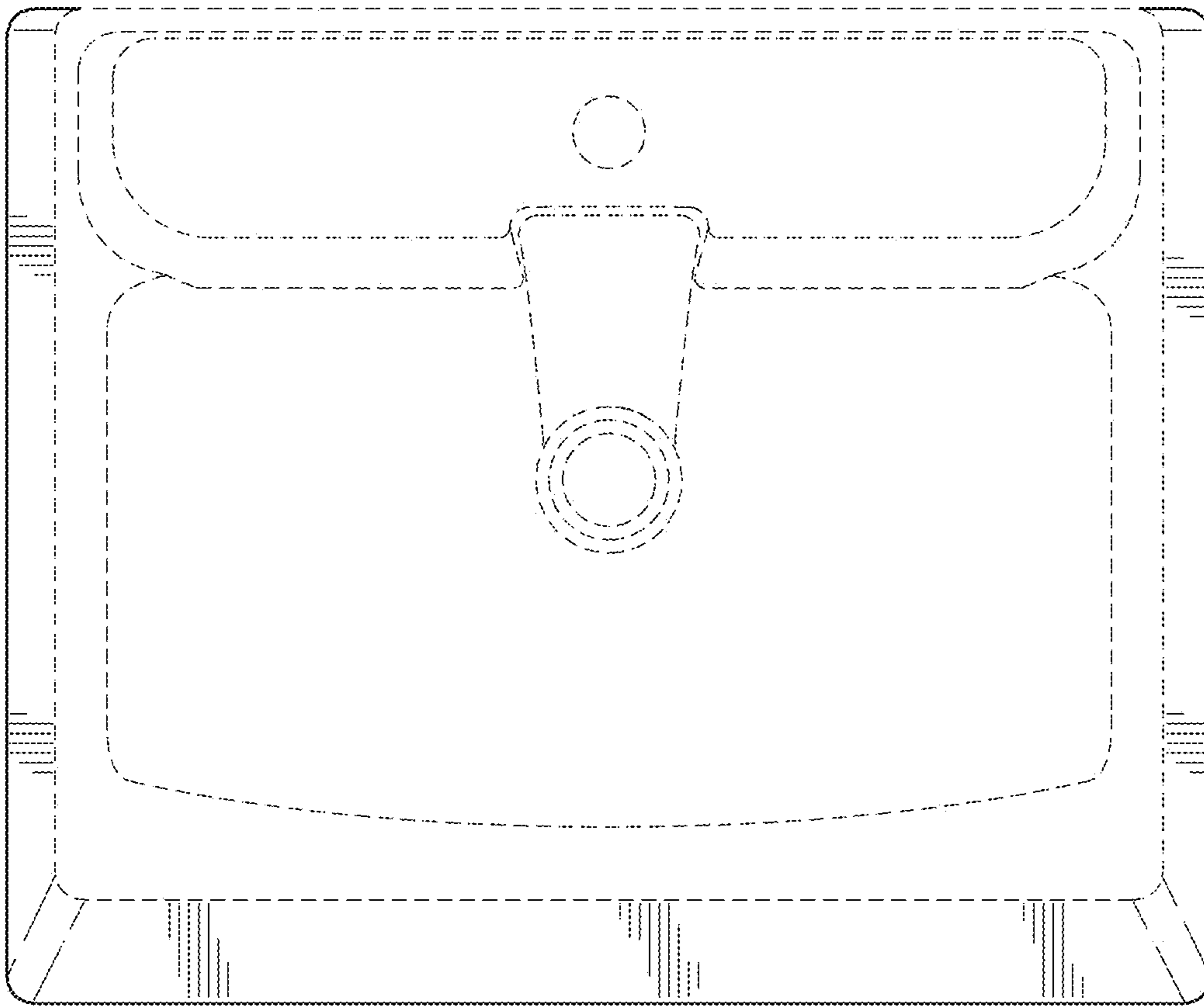


FIG. 3

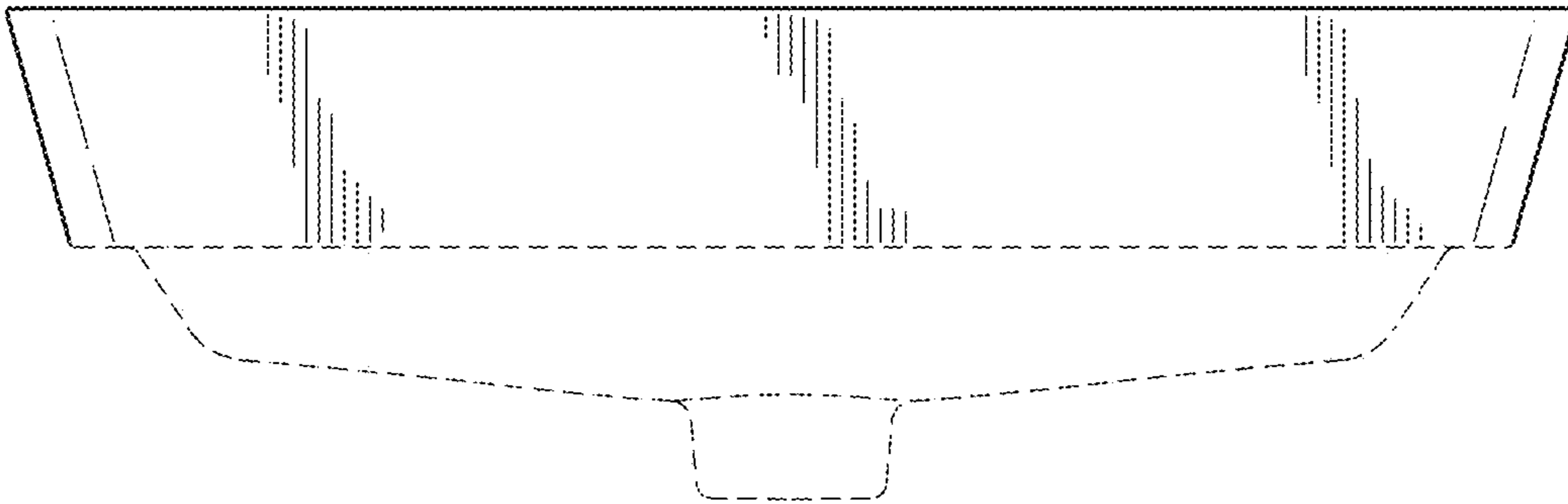


FIG. 4

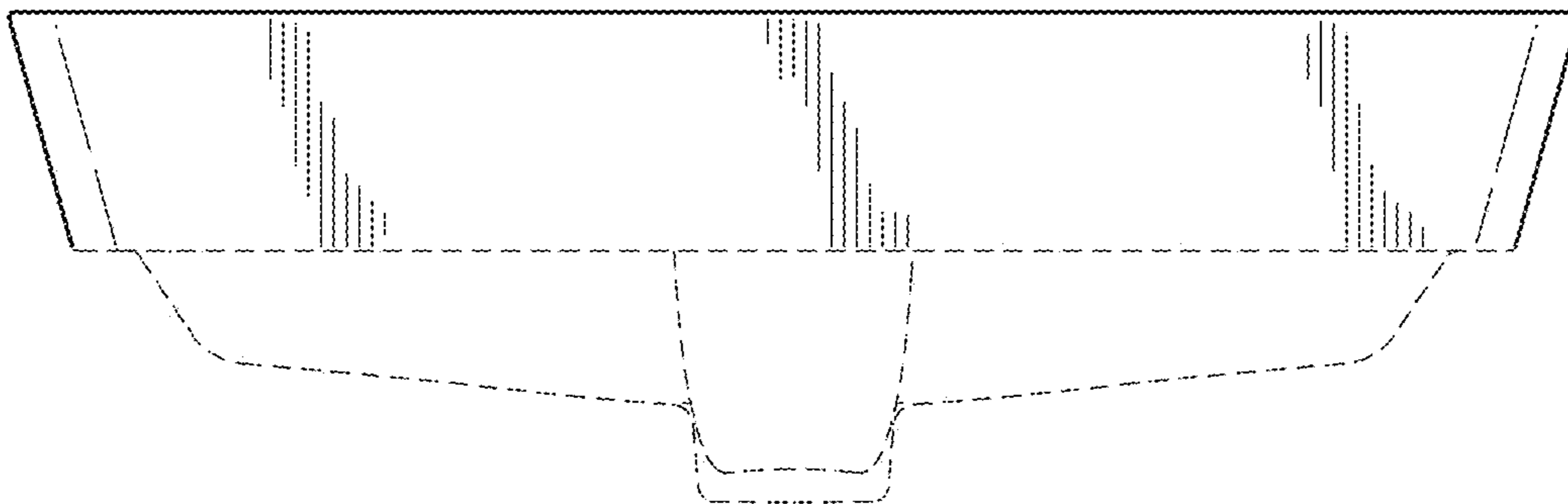


FIG. 5

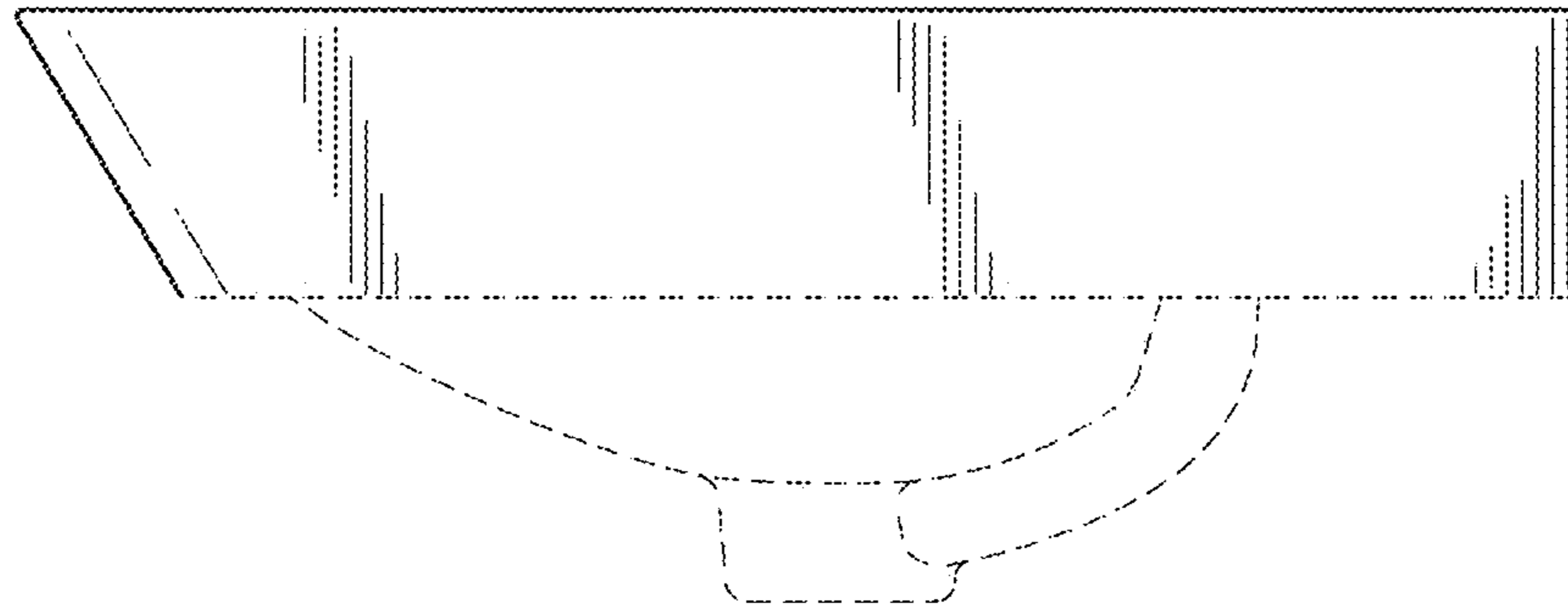


FIG. 6

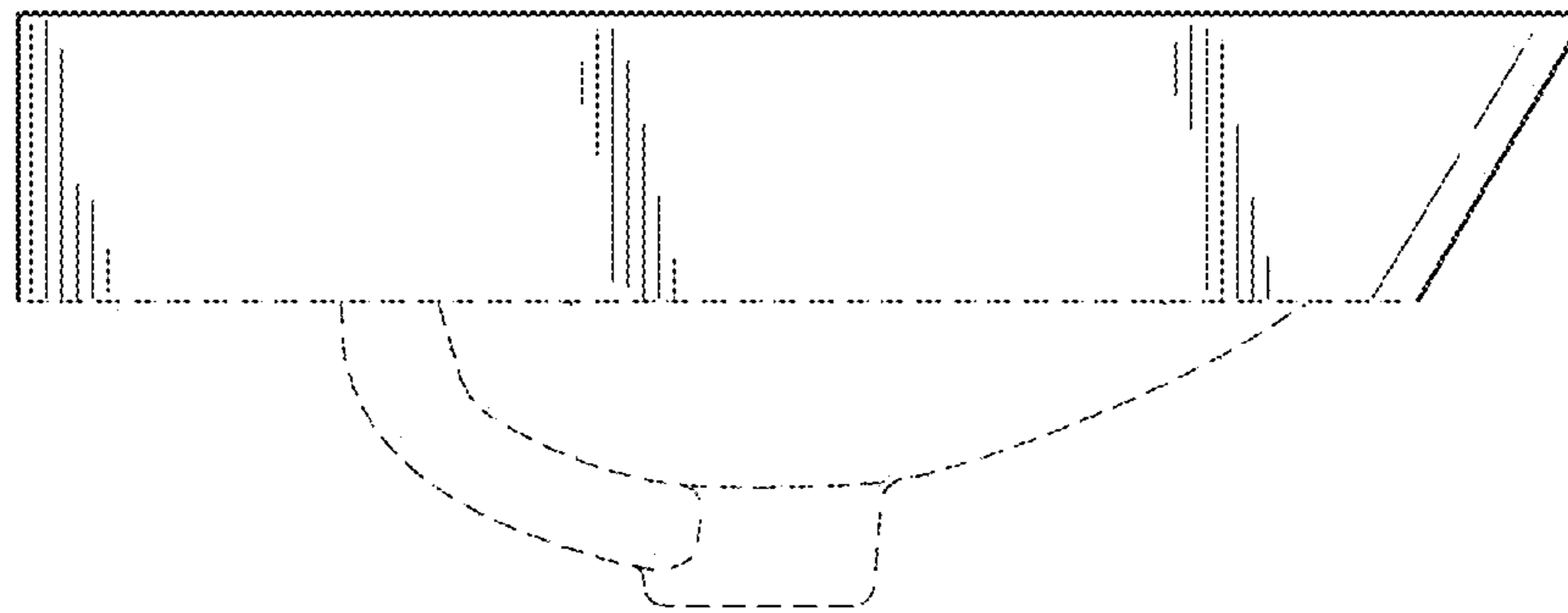


FIG. 7

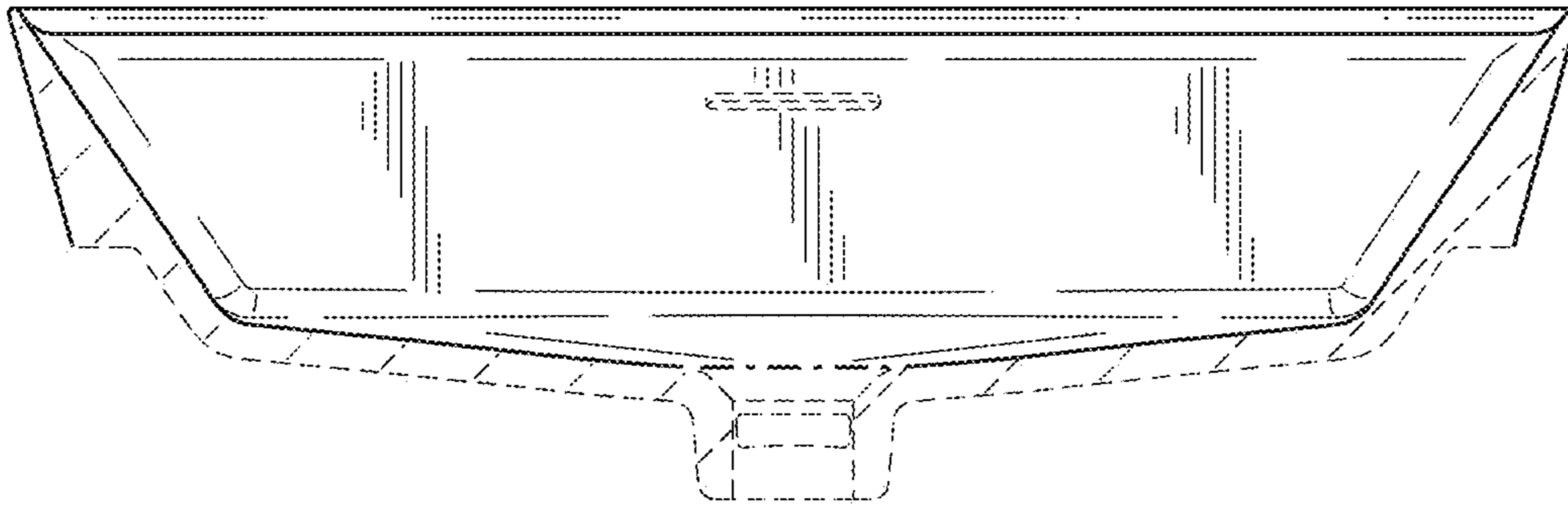


FIG. 8

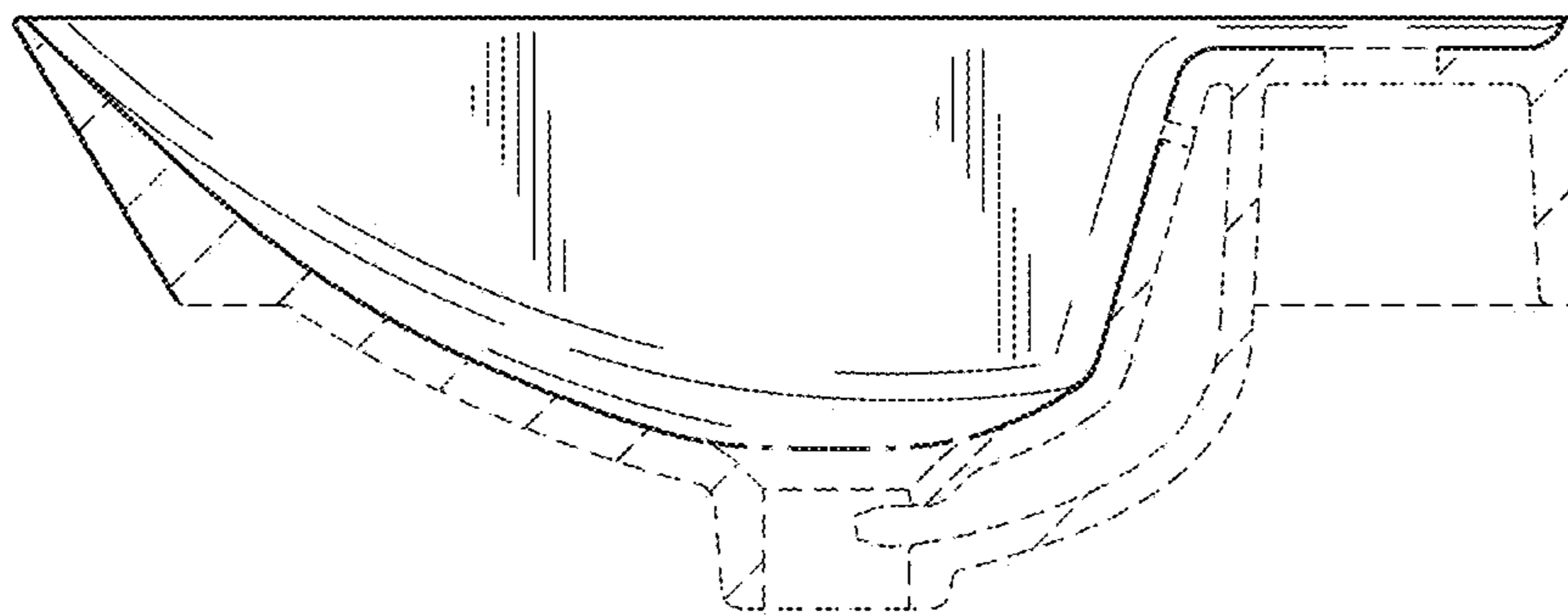


FIG. 9