



US00D912221S

(12) **United States Design Patent** (10) **Patent No.:** **US D912,221 S**
Bayless et al. (45) **Date of Patent:** **** Mar. 2, 2021**

(54) **PIPE**

(71) Applicants: **Bejamin Bayless**, Chattanooga, TN (US); **James Andrew Burran**, Chattanooga, TN (US); **Michael Cox**, Chattanooga, TN (US)

(72) Inventors: **Bejamin Bayless**, Chattanooga, TN (US); **James Andrew Burran**, Chattanooga, TN (US); **Michael Cox**, Chattanooga, TN (US)

(73) Assignee: **AFS Newco, LLC**, Virginia Beach, VA (US)

(**) Term: **15 Years**

(21) Appl. No.: **29/704,947**

(22) Filed: **Sep. 9, 2019**

(51) **LOC (13) Cl.** **23-01**

(52) **U.S. Cl.**
USPC **D23/266; D23/267**

(58) **Field of Classification Search**
USPC **D23/267, 259-262, 265-266; 210/163-164; 52/169.5; 4/613, 679,**
(Continued)

(56) **References Cited**

U.S. PATENT DOCUMENTS

D10,632 S * 4/1878 Starr D23/266
D16,877 S * 8/1886 Briggs D23/266
(Continued)

Primary Examiner — Amy C Wierenga

(74) *Attorney, Agent, or Firm* — Jeremy A. Smith; Lanier Ford Shaver & Payne, PC

(57) **CLAIM**

The ornamental design for a pipe, as shown and described.

DESCRIPTION

FIG. 1 shows a right perspective view of a first embodiment of the pipe of the present application;

FIG. 2 shows a left perspective view of the pipe of the present application;

FIG. 3 shows an alternate view of the view of the pipe shown in FIG. 1;

FIG. 4 shows an alternate view of the view of the pipe shown in FIG. 2;

FIG. 5 shows an end view of the pipe shown in FIGS. 1-4. The opposing end view is identical;

FIG. 6 shows a side view of the pipe shown in FIGS. 1-5; FIG. 7 shows an alternate side view of the pipe shown in FIGS. 1-6;

FIG. 8 shows a top view of the pipe shown in FIGS. 1-7; FIG. 9 shows a bottom view of the pipe shown in FIGS. 1-8;

FIG. 10 shows a close-up view of the pipe in FIGS. 1-9; FIG. 11 shows an alternate close-up view of the pipe in FIGS. 1-10;

FIG. 12 shows a close-up view of the pipe in FIGS. 1-11; and FIG. 13 shows an alternate close-up view of the pipe in FIGS. 1-12.

FIG. 14 shows a right perspective view of a second embodiment of pipe of the present application;

FIG. 15 shows a left perspective view of an alternate embodiment of the pipe of the present application;

FIG. 16 shows an alternate view of an alternate embodiment of the pipe shown in FIG. 14;

FIG. 17 shows an alternate view of an alternate embodiment of the pipe shown in FIG. 15;

FIG. 18 shows an end view of the pipe shown in FIGS. 14-17. The opposing end view is identical;

FIG. 19 shows a side view of the pipe shown in FIGS. 14-18; FIG. 20 shows an alternate side view of the pipe shown in FIGS. 14-19;

FIG. 21 shows a top view of the pipe shown in FIGS. 14-20; FIG. 22 shows a bottom view of the pipe shown in FIGS. 14-21;

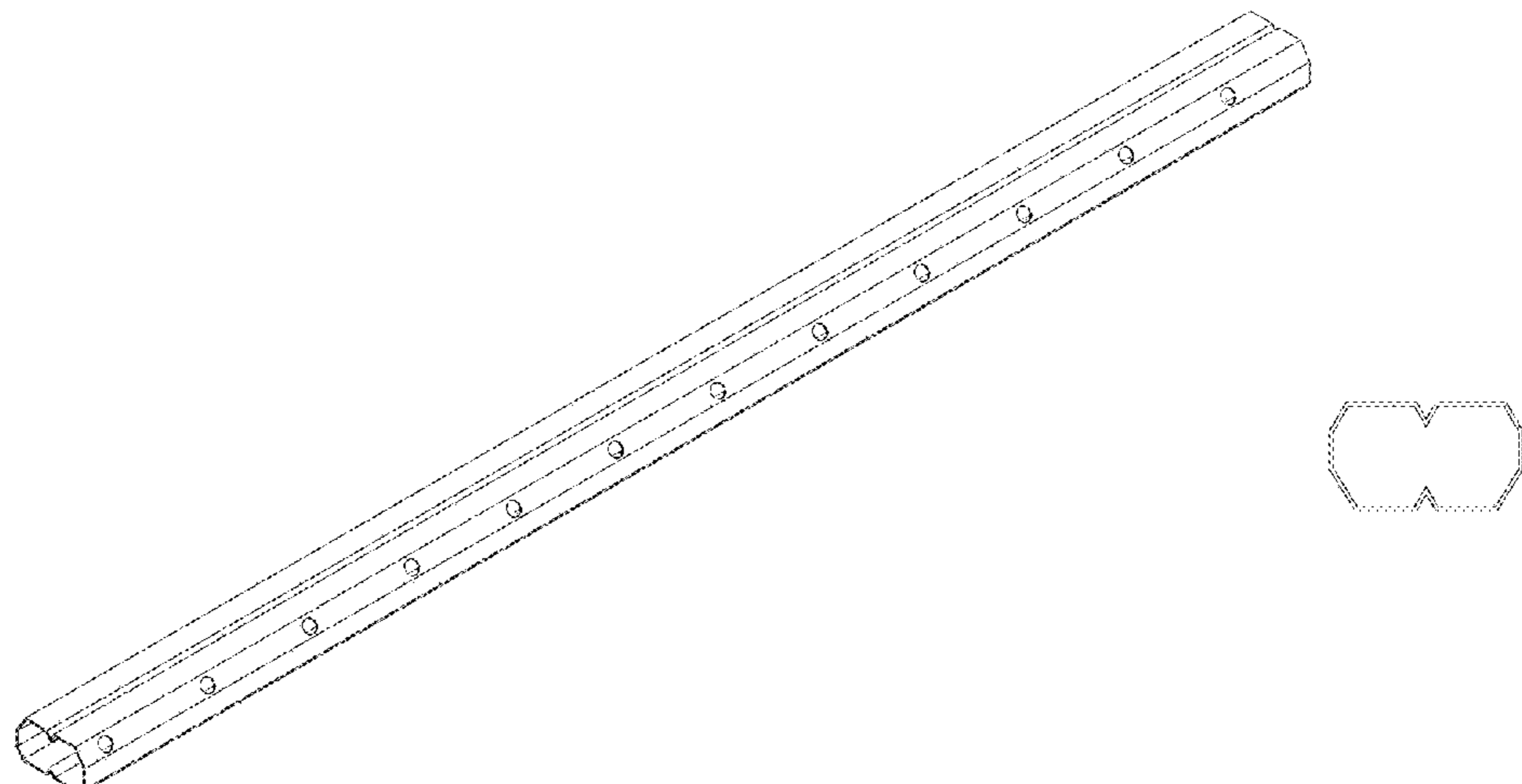
FIG. 23 shows a close-up view of the pipe in FIGS. 14-22; FIG. 24 shows an alternate close-up view of the pipe in FIGS. 14-23;

FIG. 25 shows a close-up view of the pipe in FIGS. 14-24; and,

FIG. 26 shows an alternate close-up view of the pipe in FIGS. 14-25.

The broken lines shown in FIGS. 14, 16, 20, 22-23, and 26 illustrate portions of the pipe that form no part of the claim.

(Continued)



The pipe is shown with a symbolic break to its length in FIGS. 10-13 and 23-26. The appearance of any portion of the pipe between the break lines forms no part of the claim.

1 Claim, 14 Drawing Sheets

(58) Field of Classification Search

USPC 4/684, 689; 285/125.1, 126.1, 129.2,
285/132.1, 360-361, 376, 396, 401-402;
137/247.51

CPC E02D 31/02; E03F 3/046; A47K 3/40
See application file for complete search history.

(56) References Cited

U.S. PATENT DOCUMENTS

D488,545 S * 4/2004 Takamatu D23/266

D498,825 S *	11/2004	Fu	D23/266
7,818,925 B2 *	10/2010	Benedict	E02D 27/02 52/169.5
8,109,045 B2 *	2/2012	Kliefoth	E02D 31/02 52/169.5
8,109,046 B2 *	2/2012	Nordhoff	E04B 1/7023 52/169.5
D840,001 S *	2/2019	Steylaerts	D23/261
D881,359 S *	4/2020	Hunter	D23/267
2005/0204653 A1 *	9/2005	Matthews	E02D 31/02 52/169.5
2006/0239781 A1 *	10/2006	Kliefoth	E02D 27/02 405/229
2008/0190045 A1 *	8/2008	Janesky	E02D 31/02 52/169.5
2012/0060433 A1 *	3/2012	Chandler	E02D 31/02 52/169.5
2020/0240100 A1 *	7/2020	Bayless	E02D 31/02

* cited by examiner

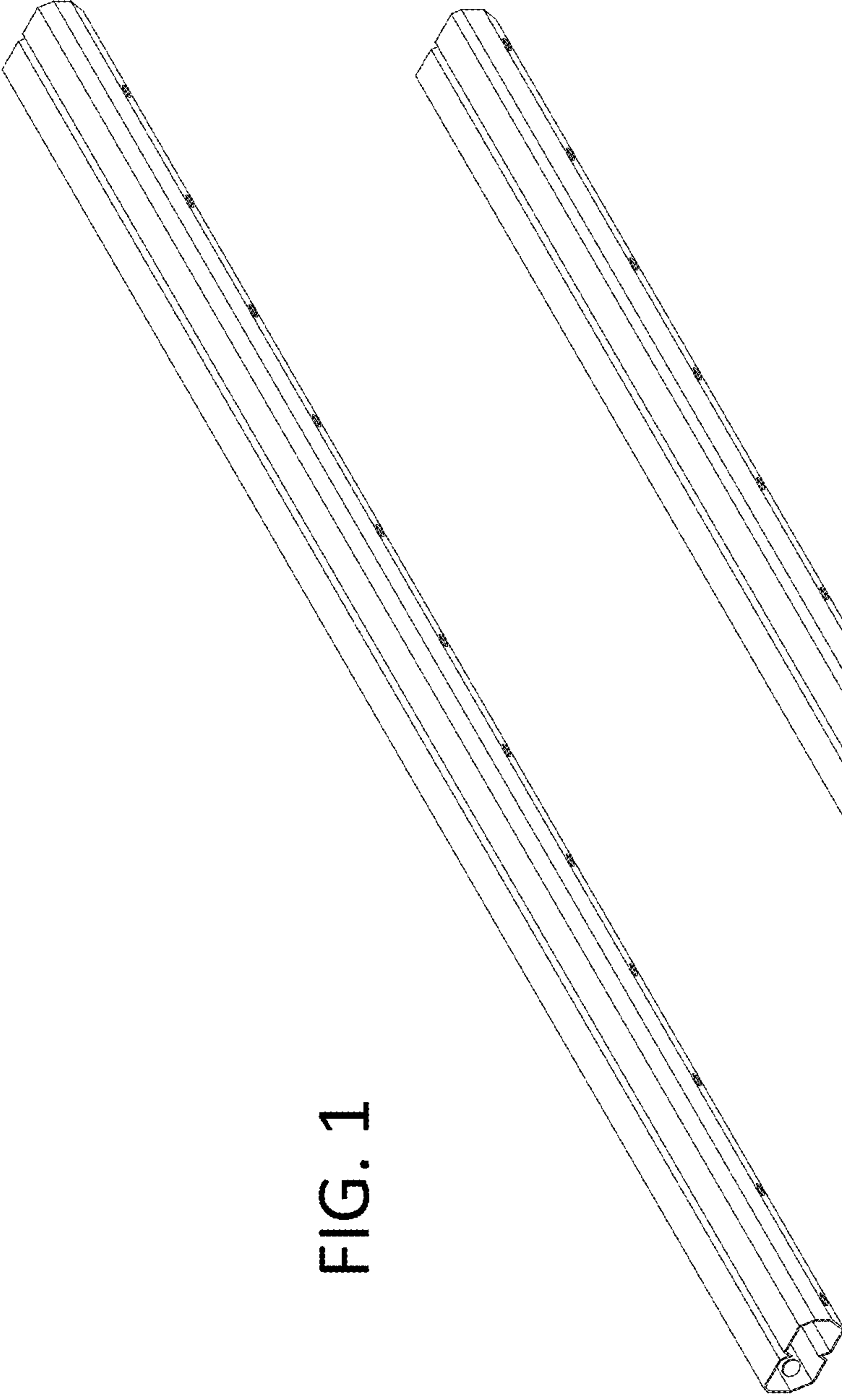


FIG. 1

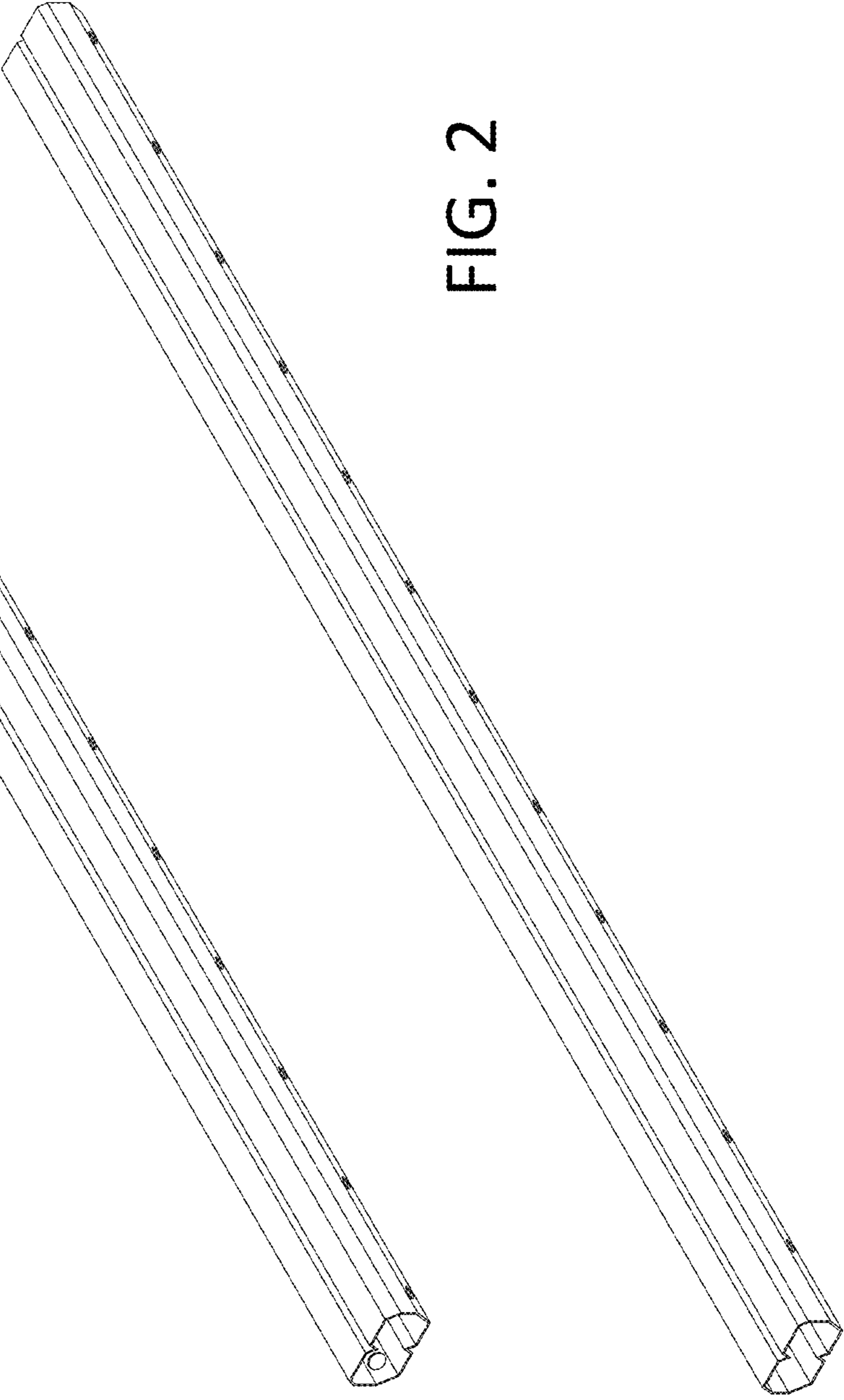


FIG. 2

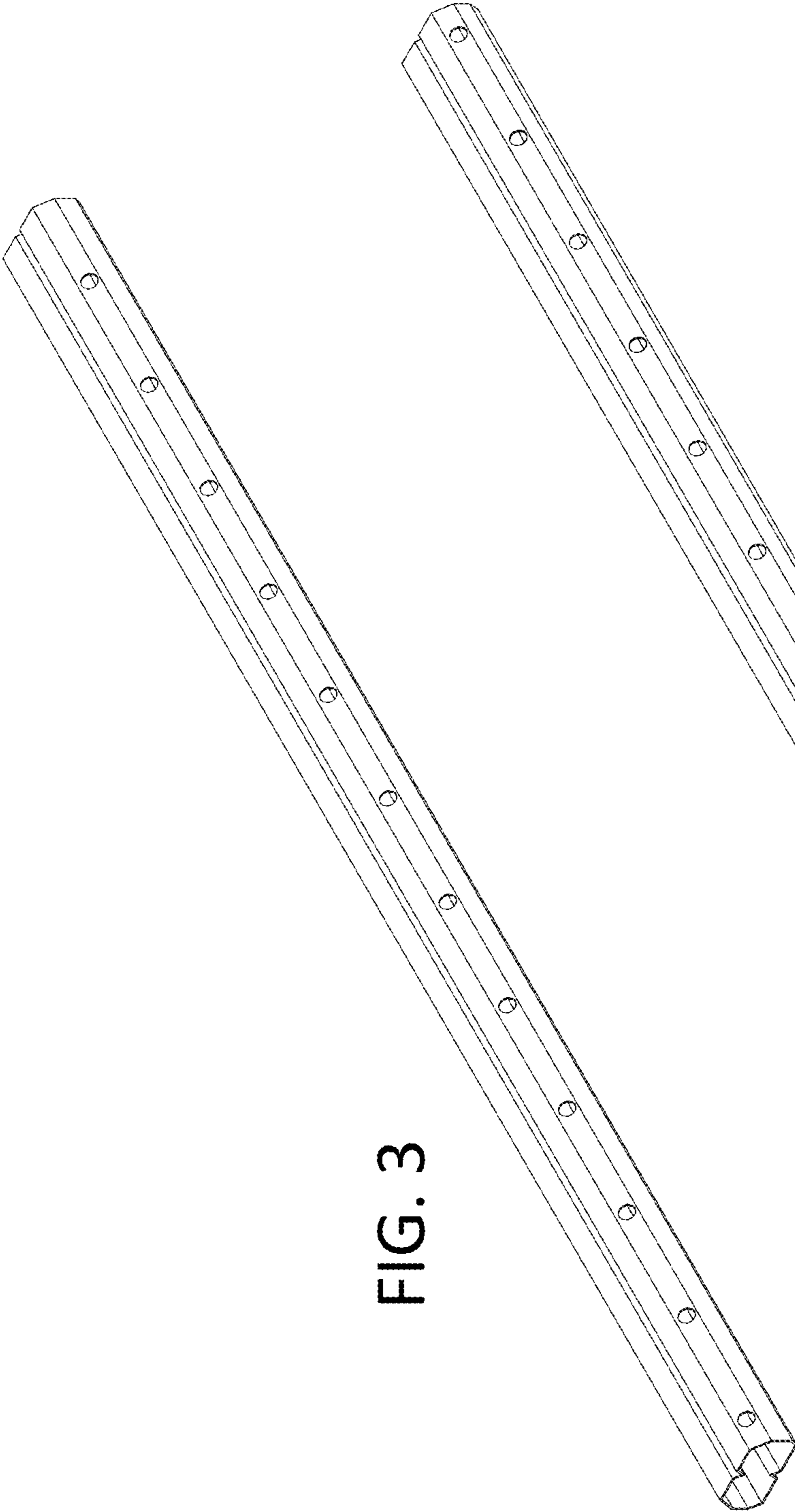


FIG. 3

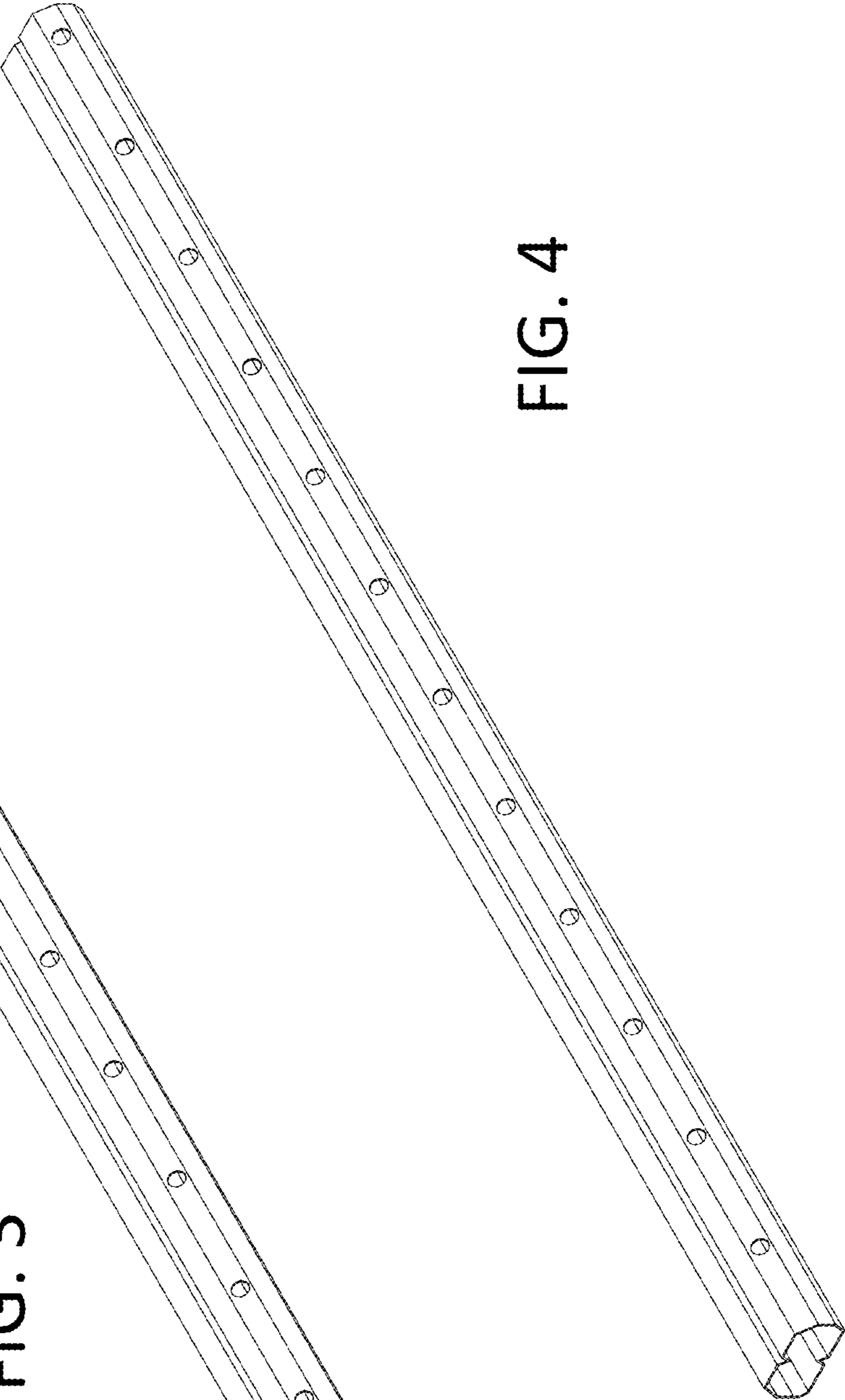


FIG. 4

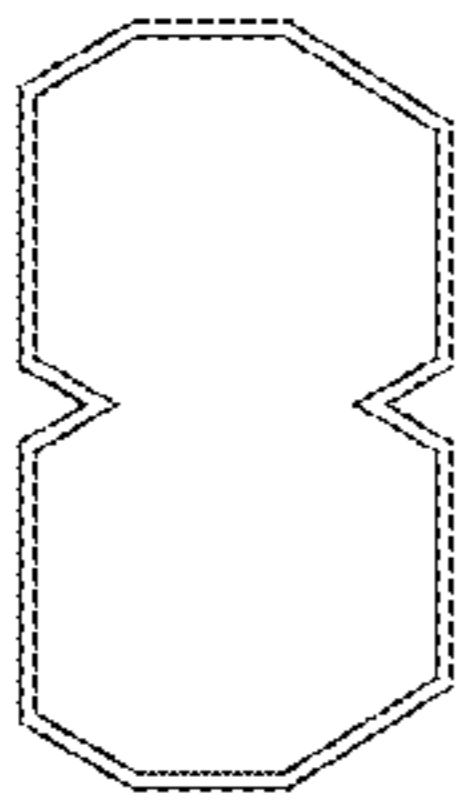


FIG. 5



FIG. 6

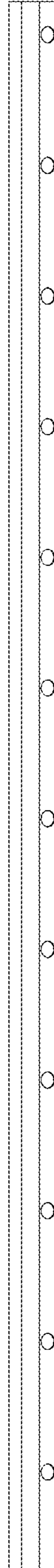


FIG. 7

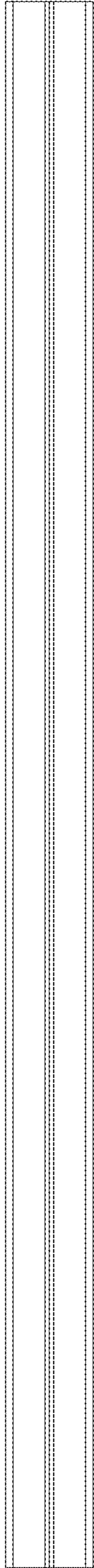


FIG. 8

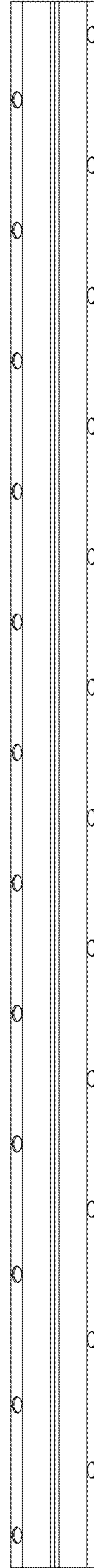


FIG. 9

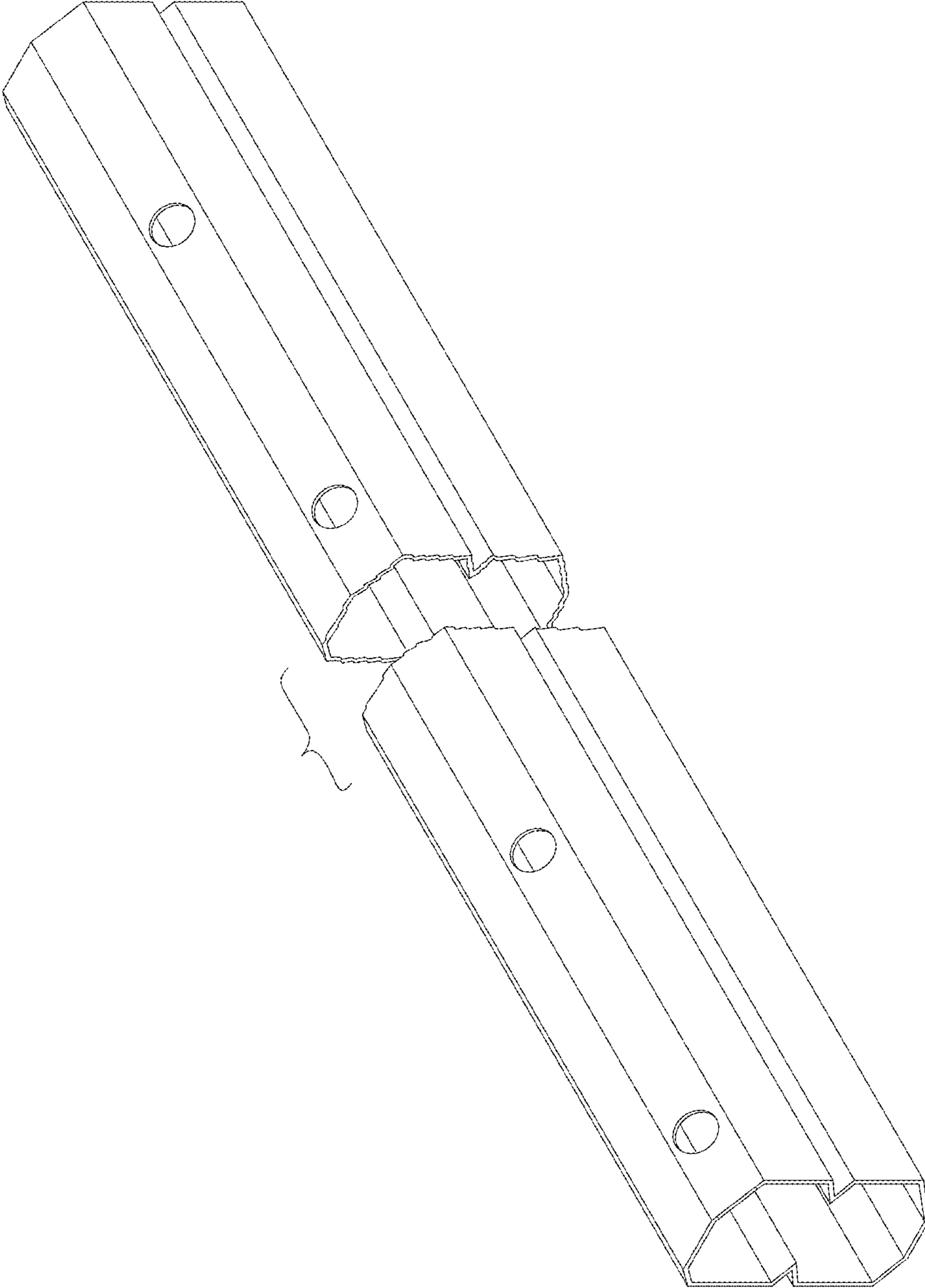


FIG. 10

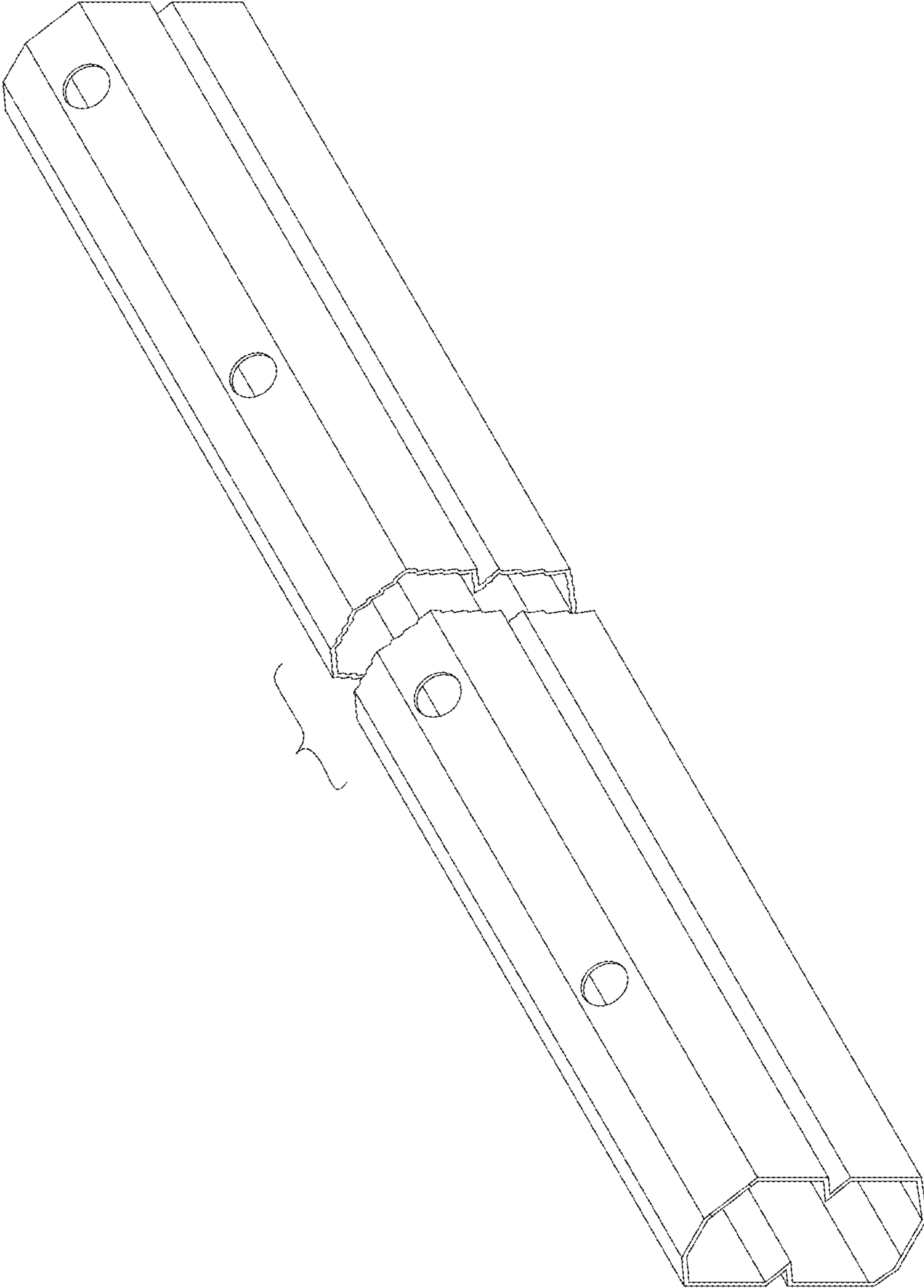


FIG. 11

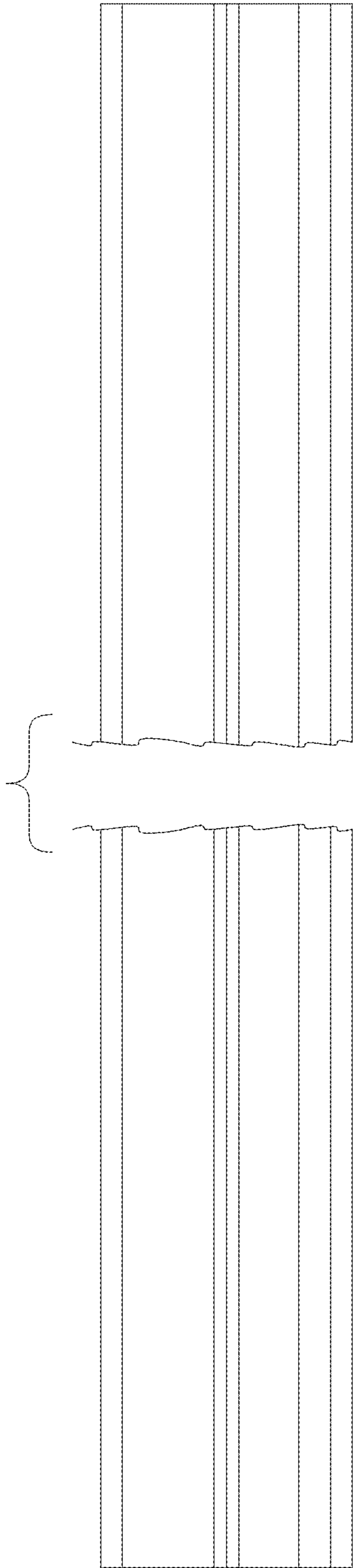


FIG. 12

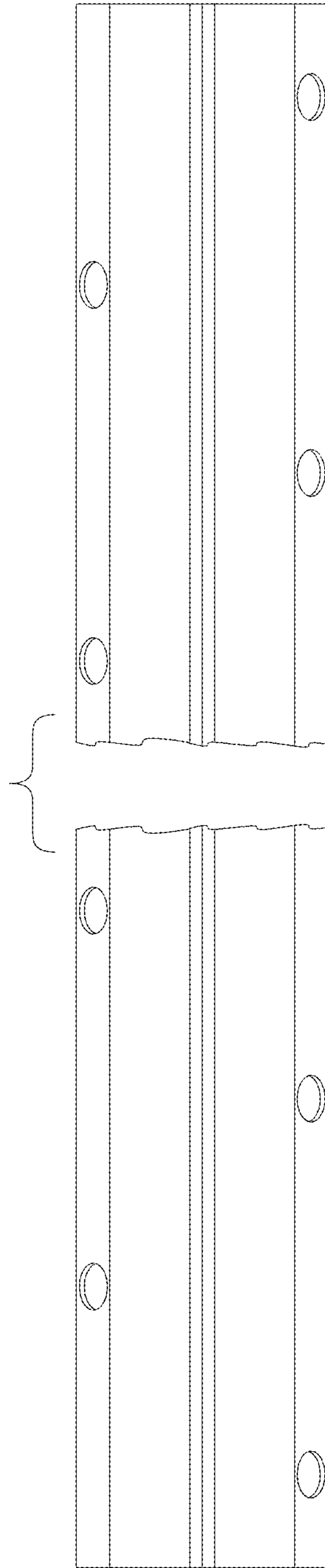


FIG. 13

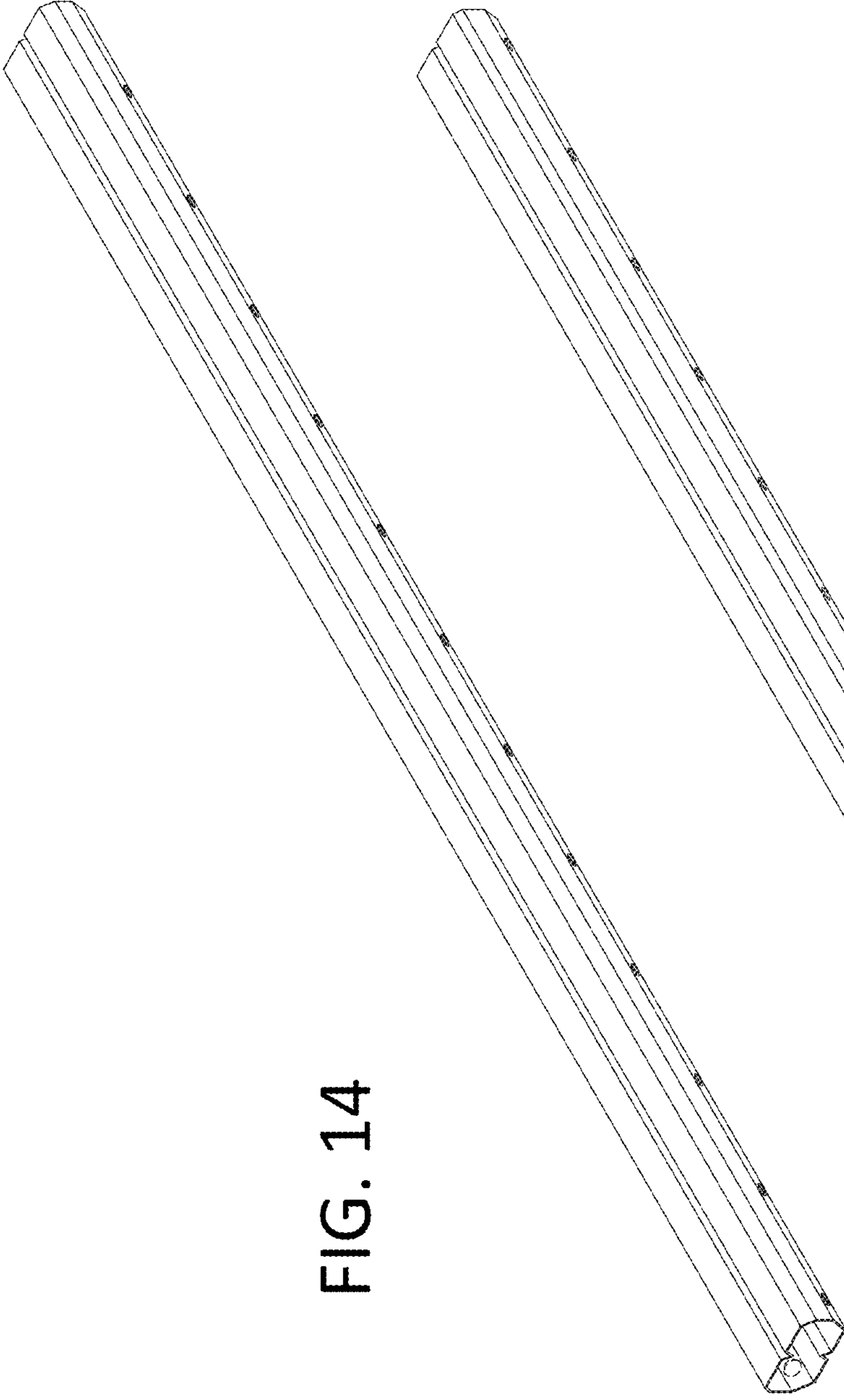


FIG. 14

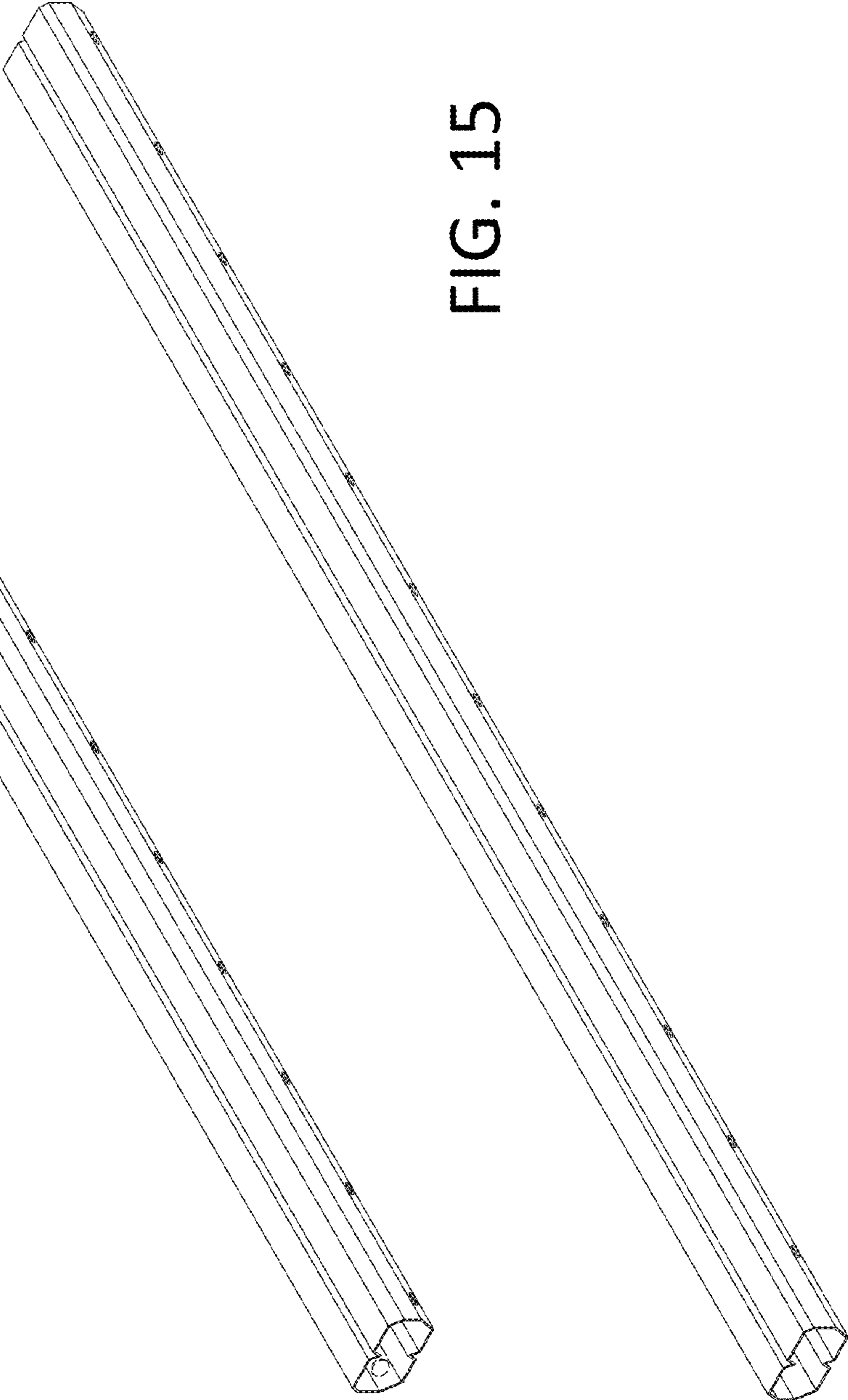


FIG. 15

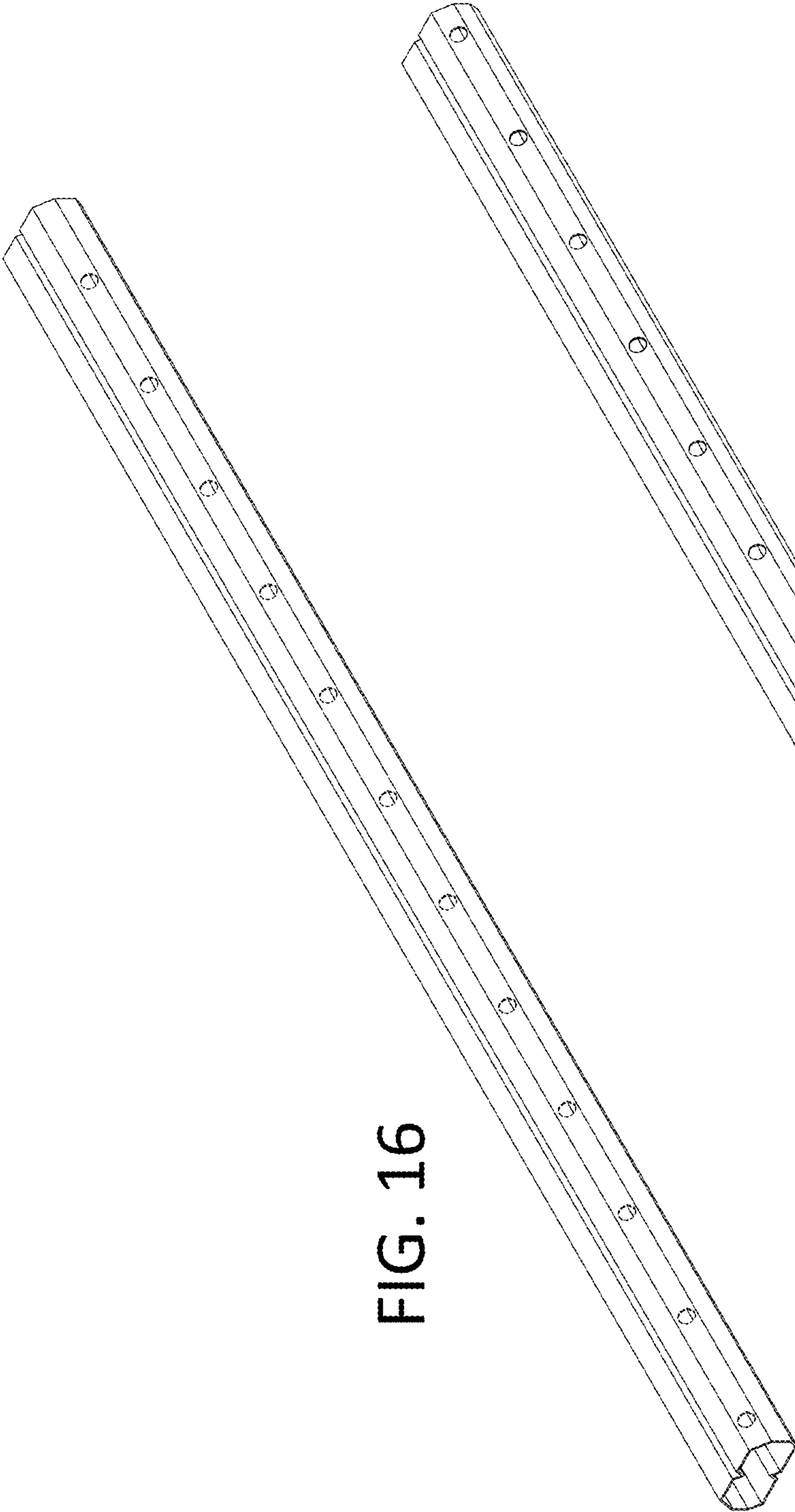


FIG. 16

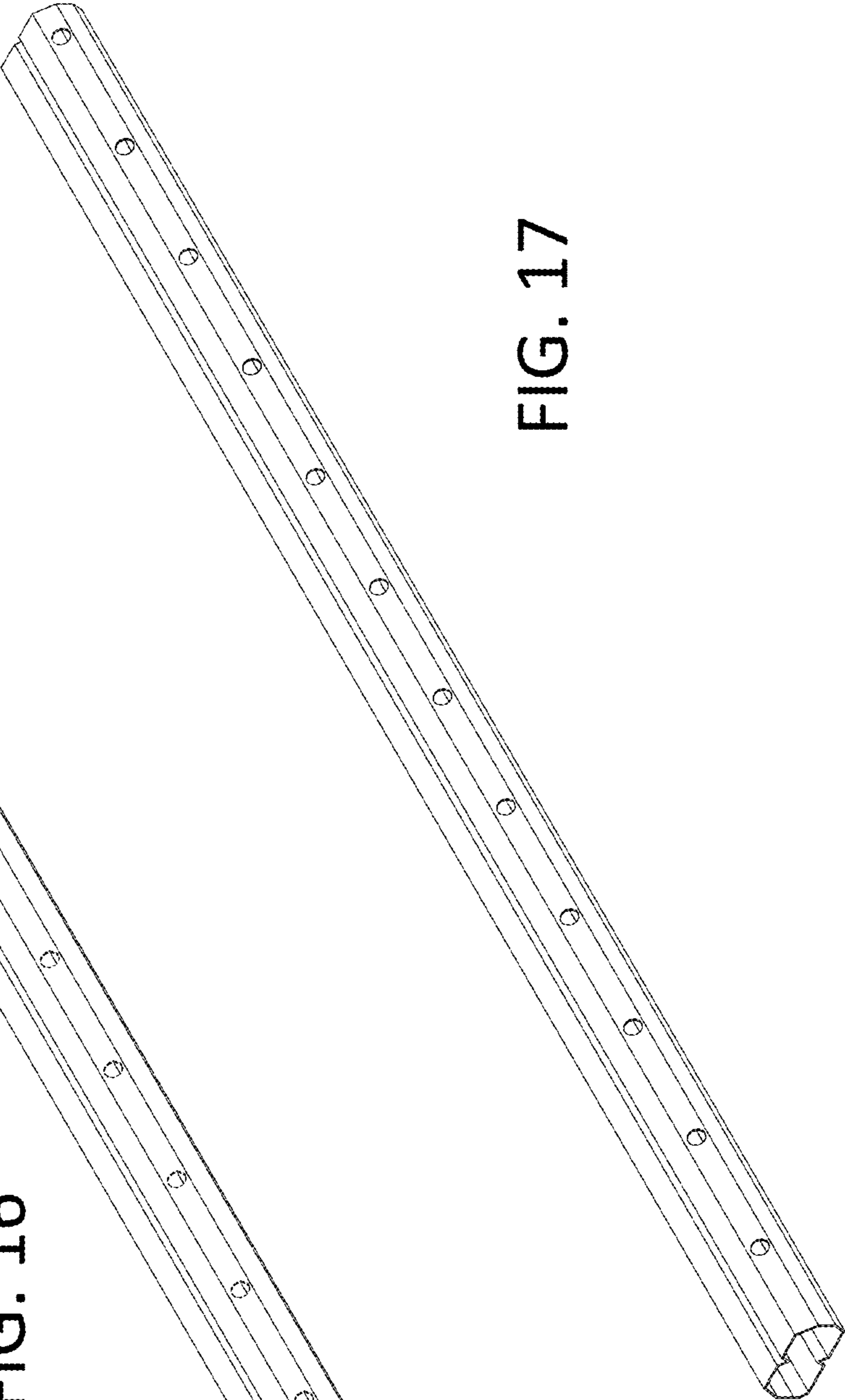


FIG. 17

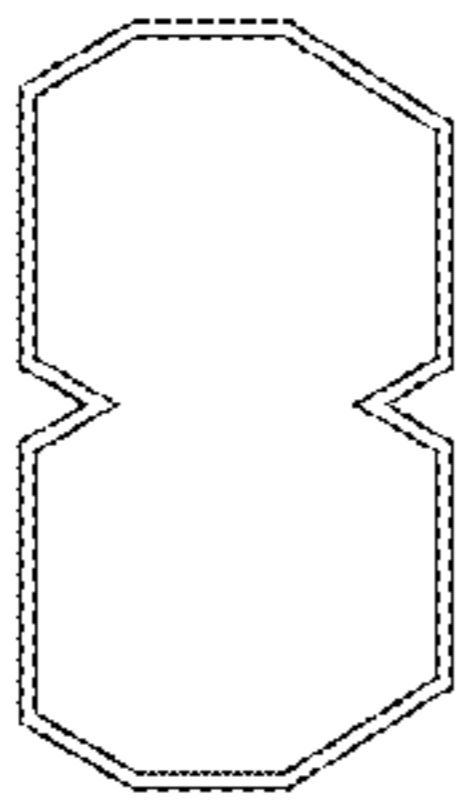


FIG. 18



FIG. 19

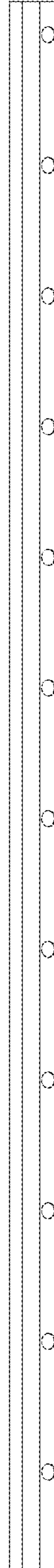


FIG. 20

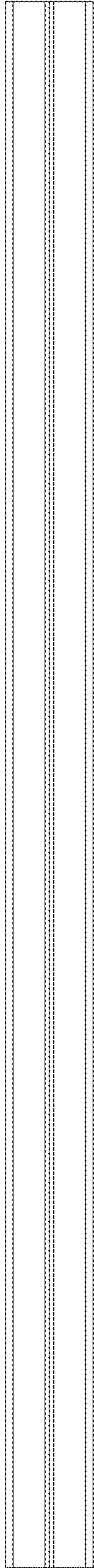


FIG. 21

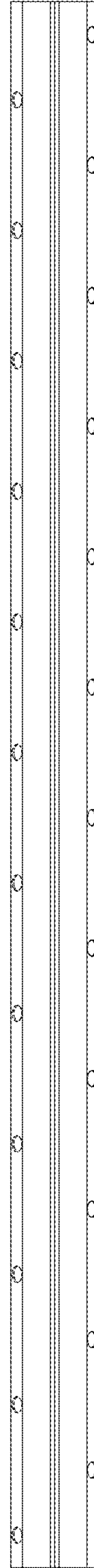


FIG. 22

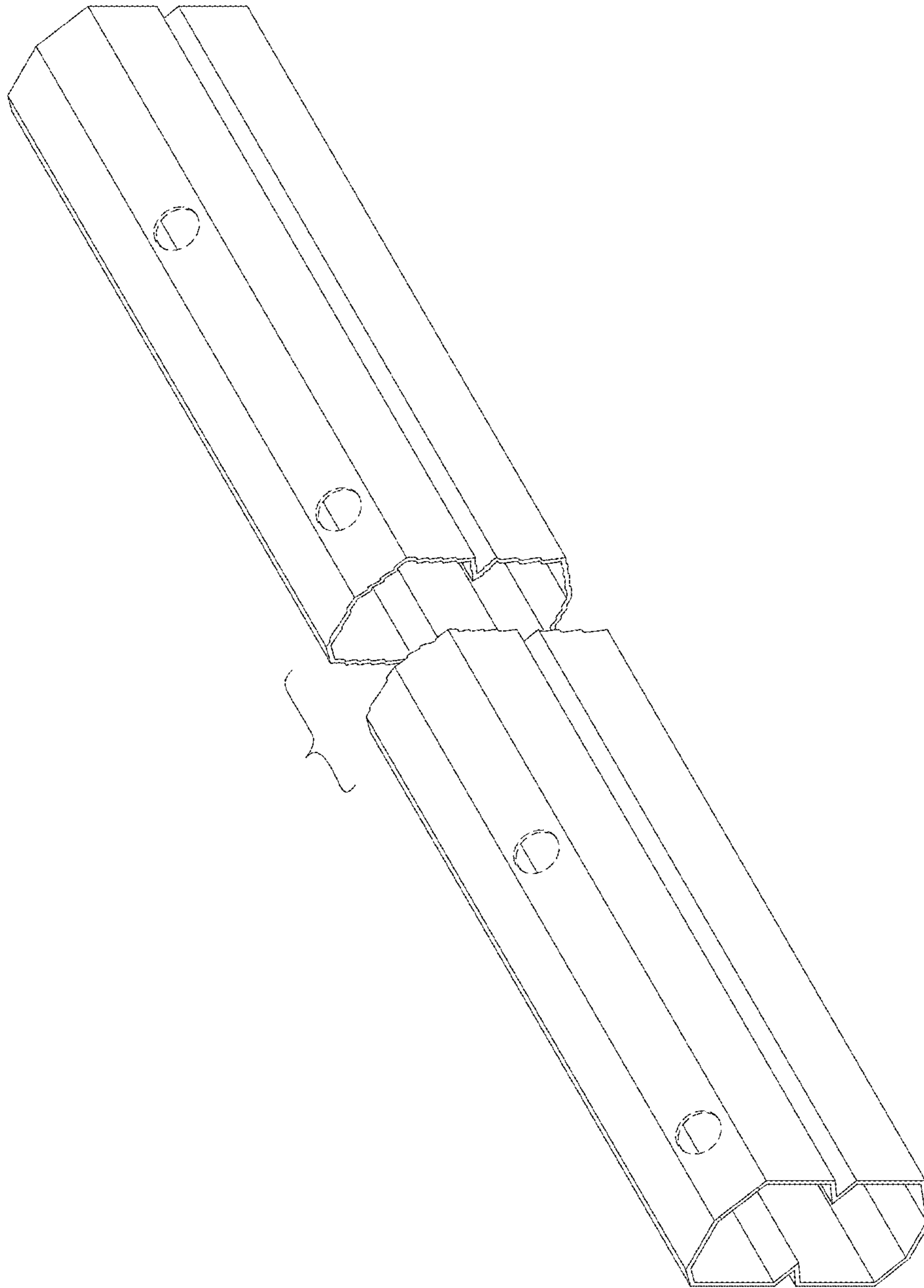


FIG. 23

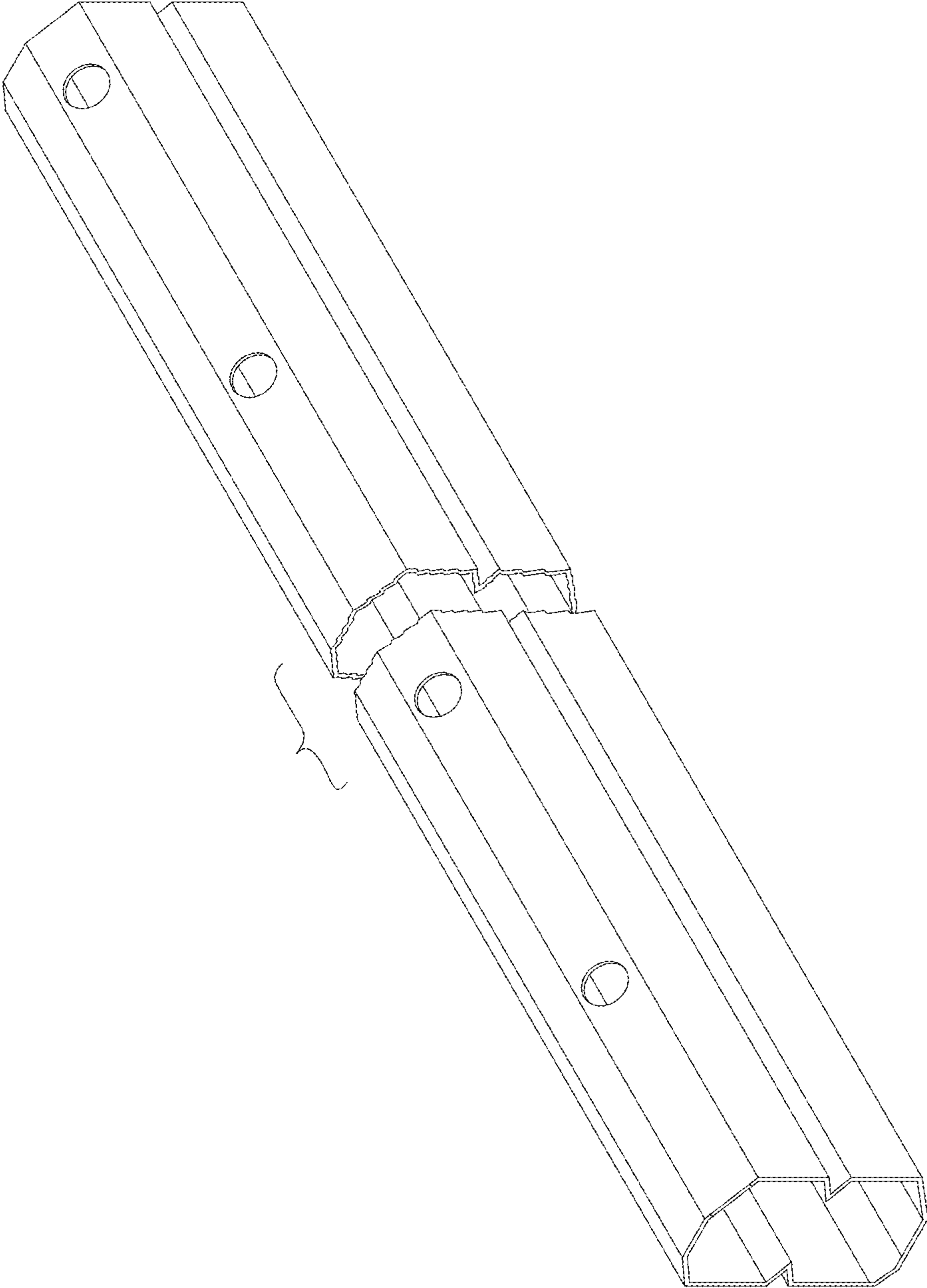


FIG. 24

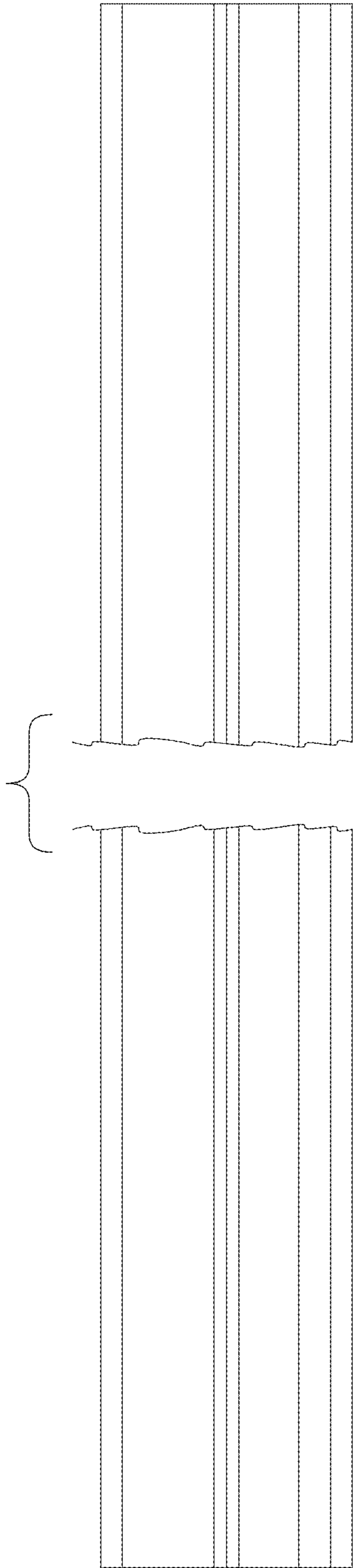


FIG. 25

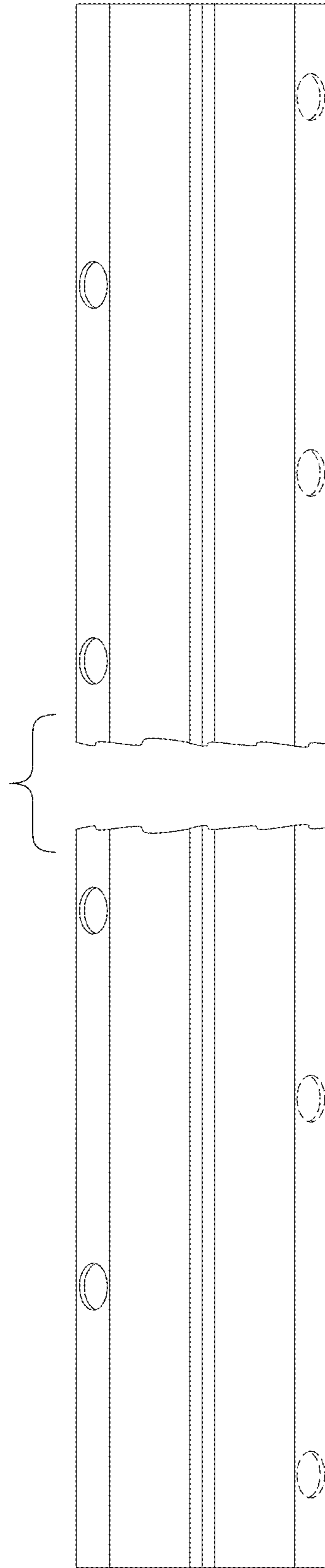


FIG. 26