



US00D912218S

(12) **United States Design Patent**
Eads

(10) **Patent No.:** **US D912,218 S**

(45) **Date of Patent:** **** Mar. 2, 2021**

(54) **TUB SPOUT**

(71) Applicant: **DELTA FAUCET COMPANY,**
Indianapolis, IN (US)

(72) Inventor: **Thad Eads,** Urbana, IN (US)

(73) Assignee: **DELTA FAUCET COMPANY,**
Indianapolis, IN (US)

(**) Term: **15 Years**

(21) Appl. No.: **29/683,598**

(22) Filed: **Mar. 14, 2019**

(51) **LOC (13) Cl.** **23-01**

(52) **U.S. Cl.**
USPC **D23/255**

(58) **Field of Classification Search**
USPC D23/238, 241–243, 249, 255, 257
CPC Y10T 137/9464; Y10T 137/6014; Y10T
137/6017

See application file for complete search history.

(56) **References Cited**

U.S. PATENT DOCUMENTS

D428,974 S * 8/2000 Spangler D23/255
D601,667 S * 10/2009 Schoenherr D23/255

D619,223 S * 7/2010 Sofield D23/255
D719,243 S * 12/2014 Fritz D23/255
D791,282 S * 7/2017 Bahler D23/255
D810,888 S * 2/2018 Schoenherr D23/255
D815,255 S * 4/2018 Garland D23/255
D867,547 S * 11/2019 Garland D23/255
D870,248 S * 12/2019 Spangler D23/257

* cited by examiner

Primary Examiner — Robert A Delehanty

(74) *Attorney, Agent, or Firm* — Nirav D. Parikh; Edgar
A. Zarins

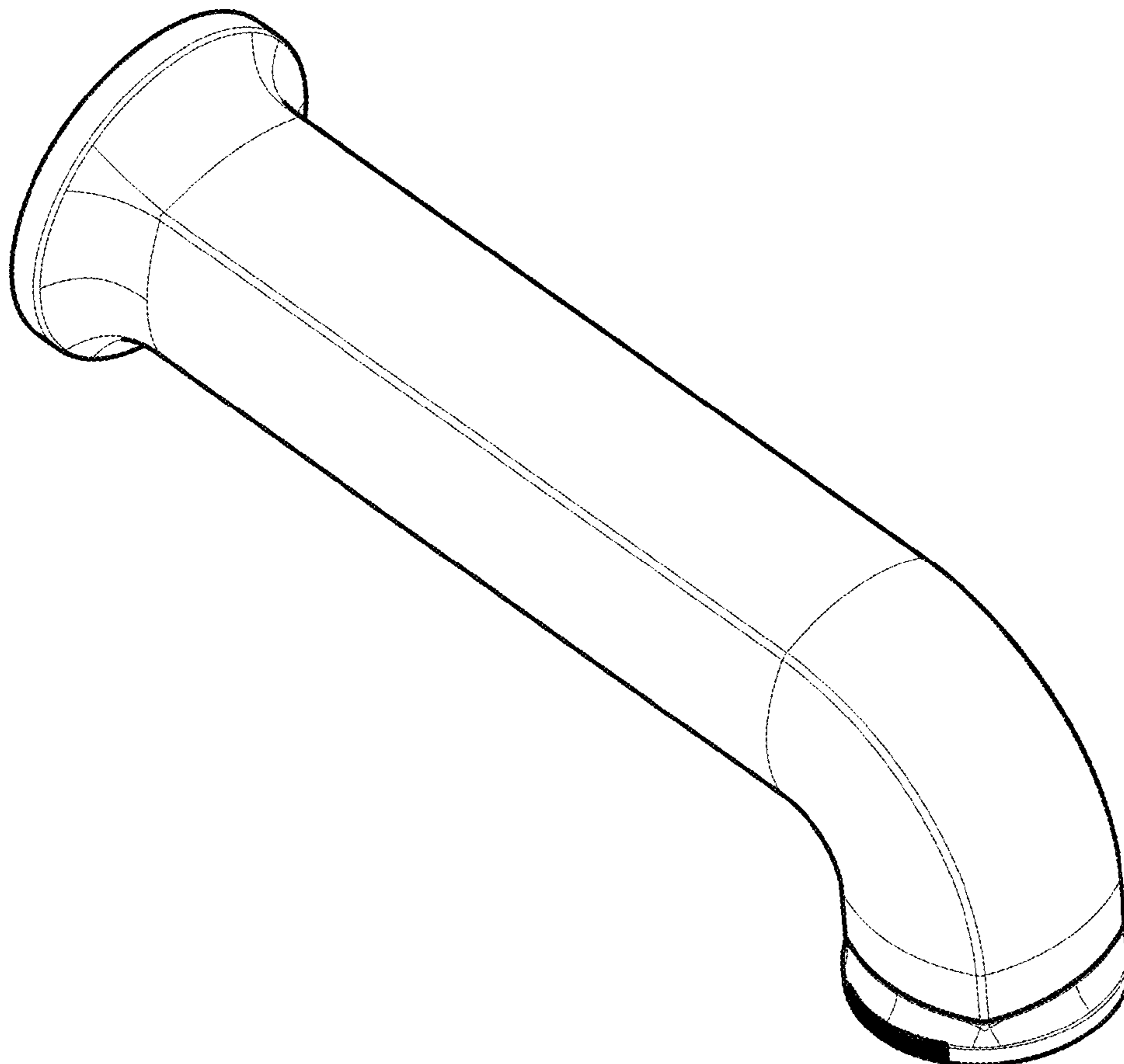
(57) **CLAIM**

The ornamental design for a tub spout, as shown and
described.

DESCRIPTION

FIG. 1 is a front perspective view of a tub spout showing my
new design;
FIG. 2 is a rear perspective view thereof;
FIG. 3 is a front elevational view thereof;
FIG. 4 is a left side view thereof;
FIG. 5 is a rear view thereof;
FIG. 6 is a right side view thereof; and,
FIG. 7 is a top plan view thereof.

1 Claim, 4 Drawing Sheets



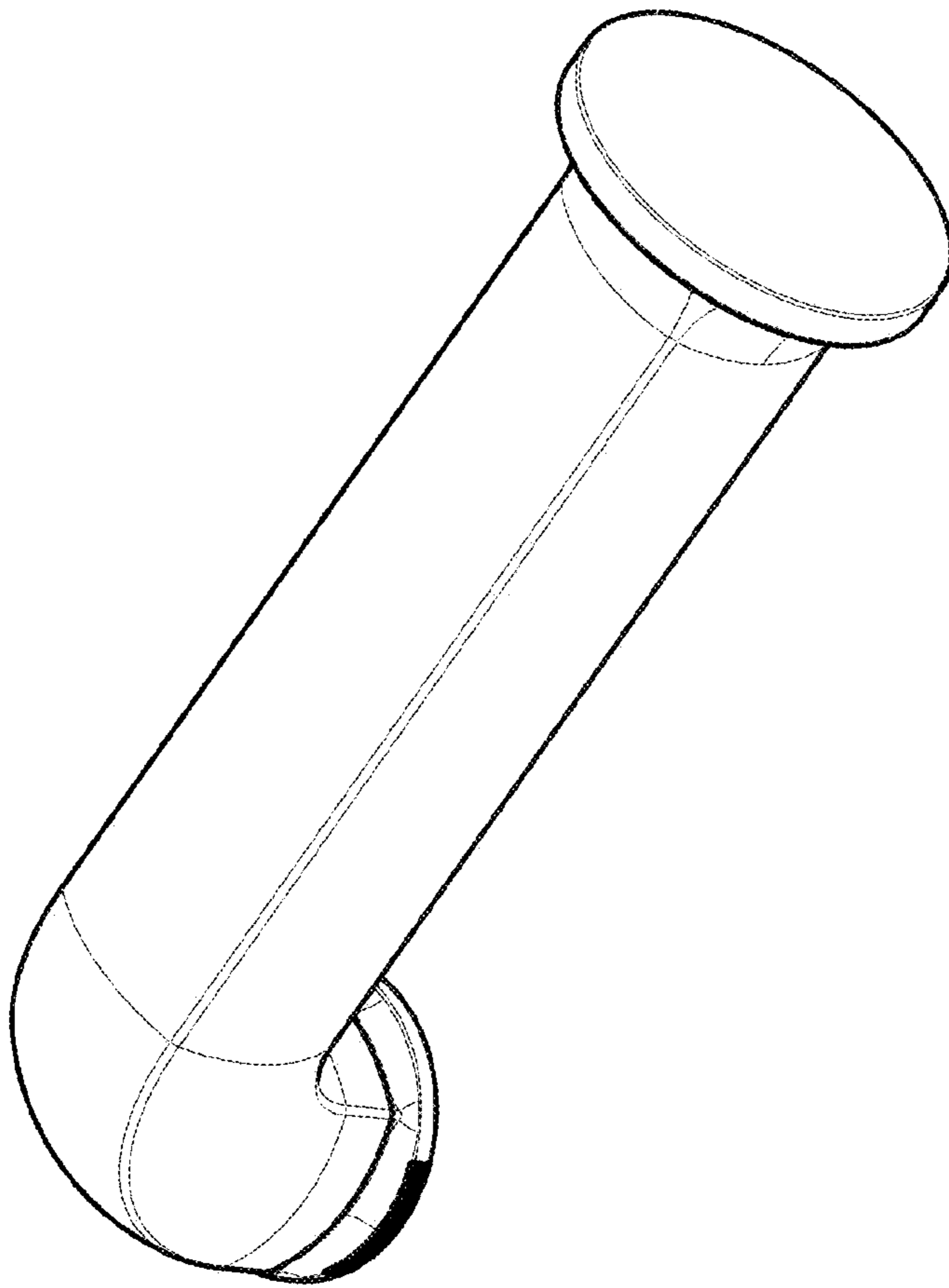


FIG - 2

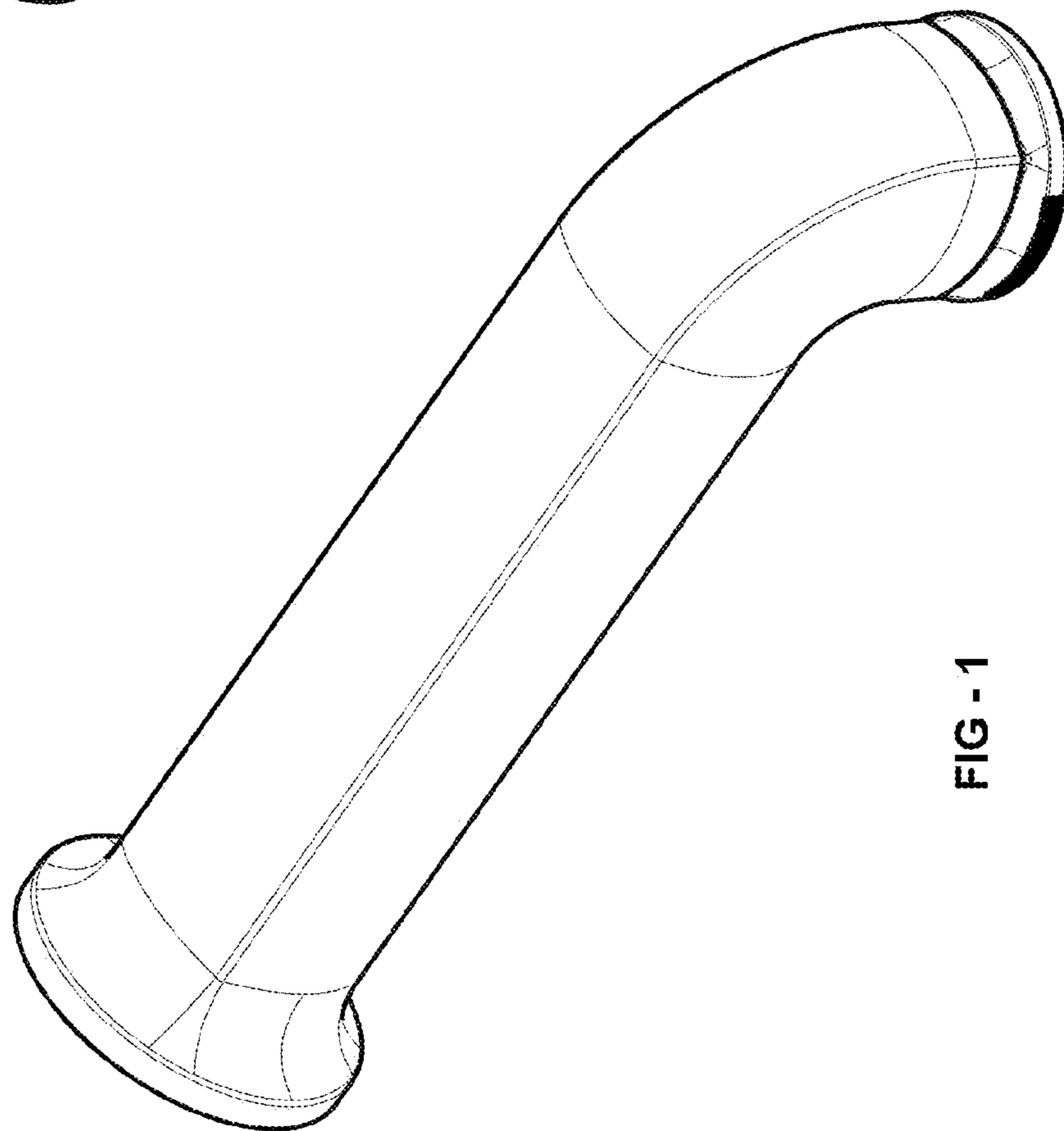


FIG - 1

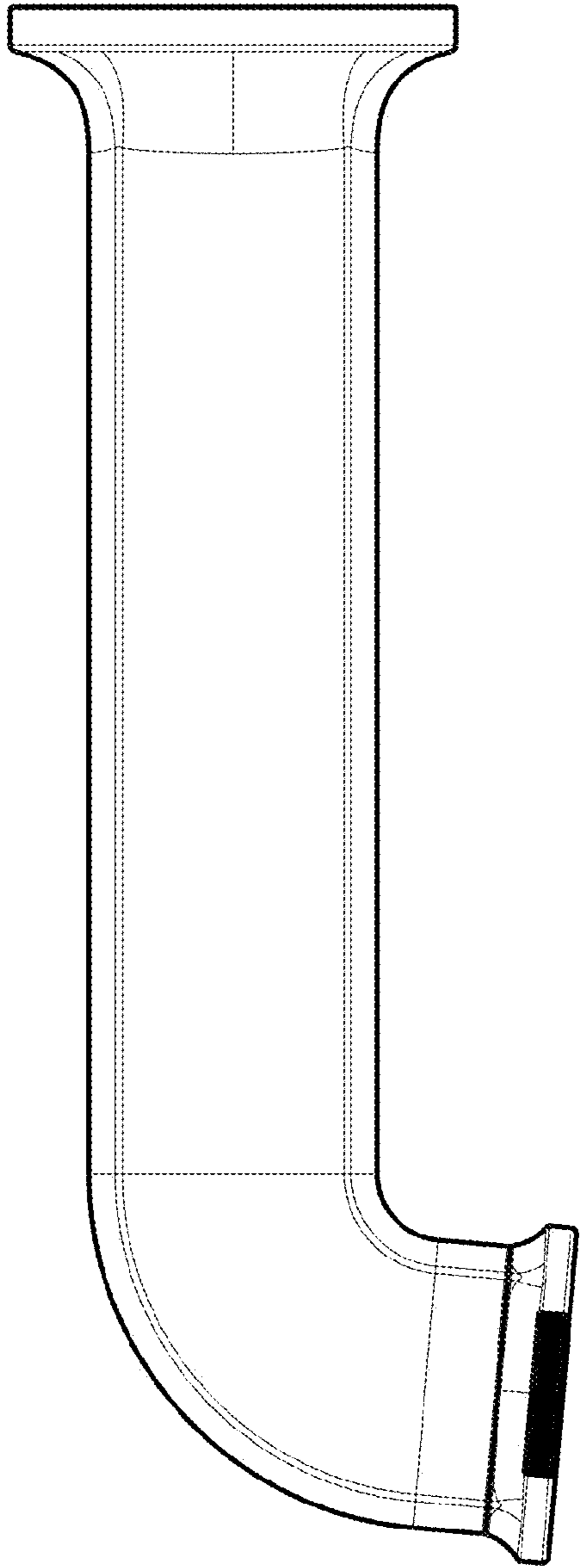


FIG - 4

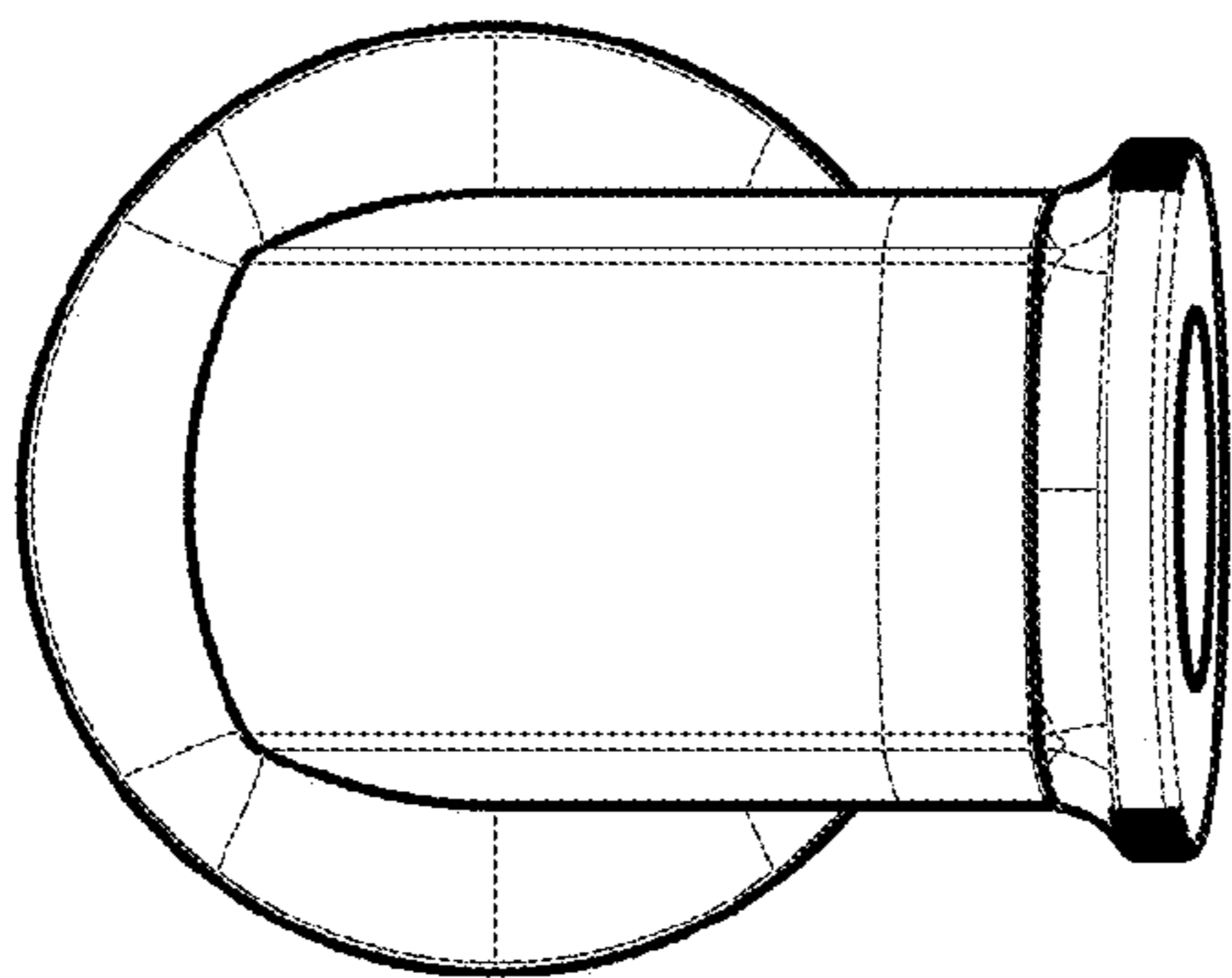


FIG - 3

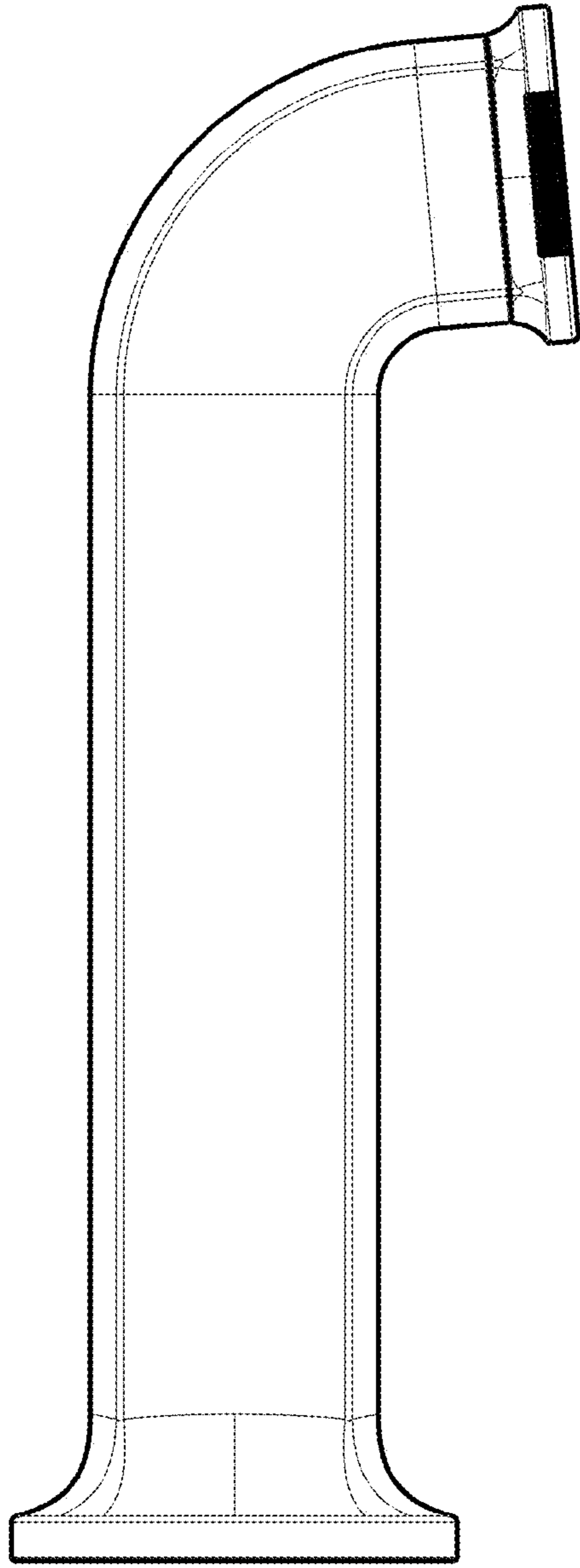


FIG - 6

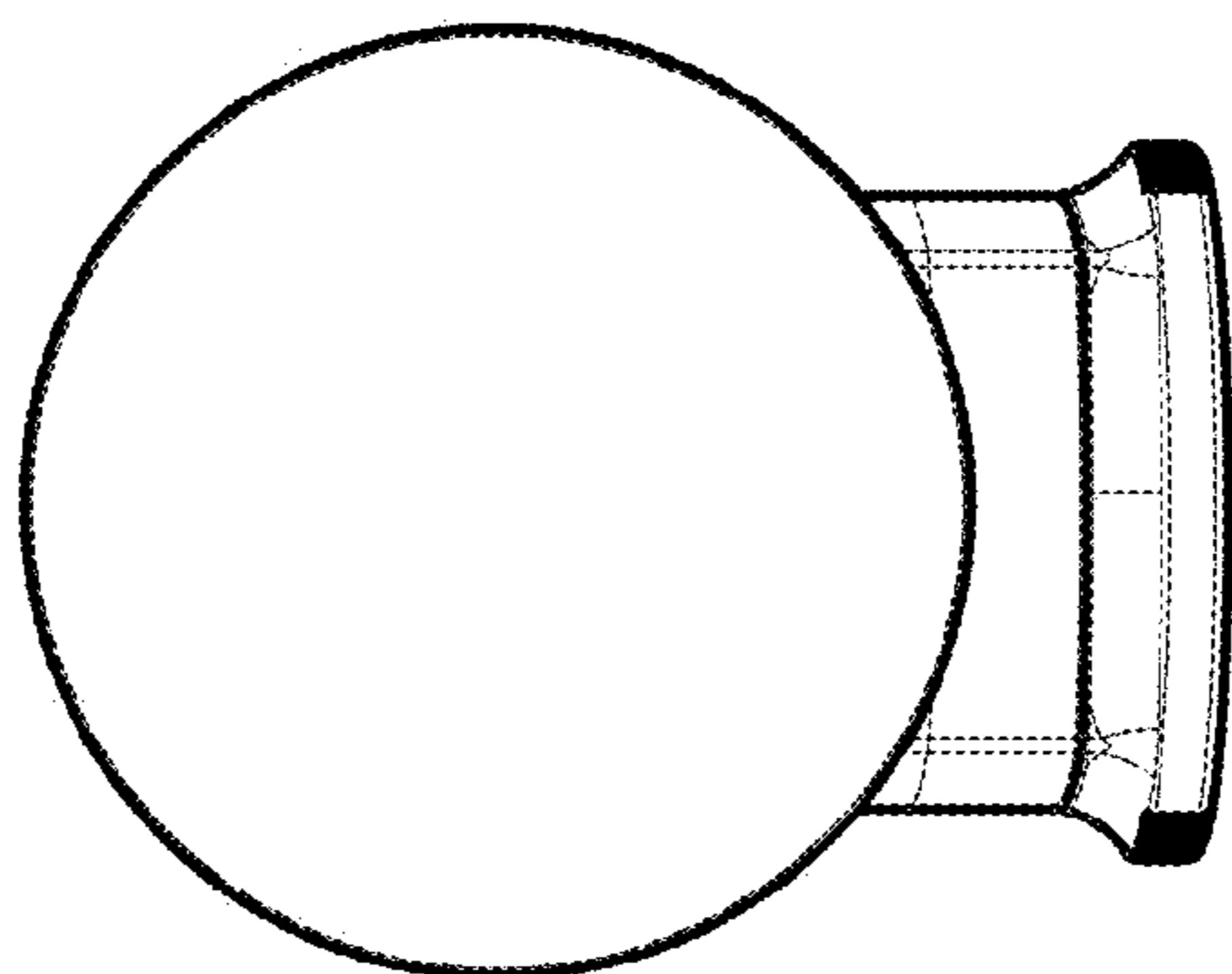


FIG - 5

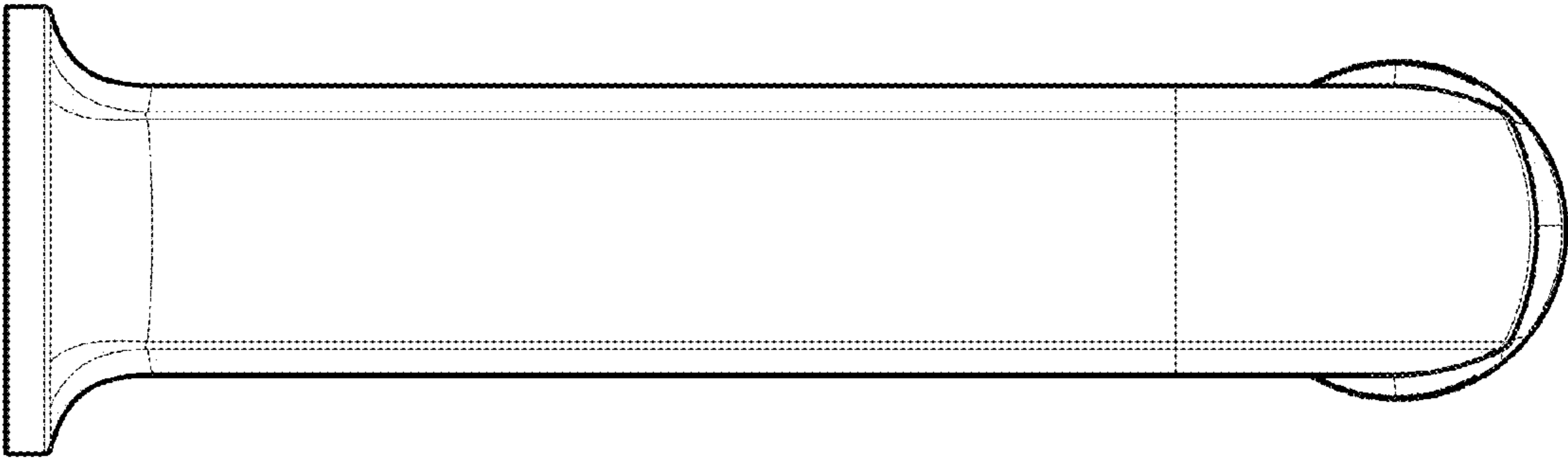


FIG - 7