



US00D912217S

(12) **United States Design Patent**  
**Eads**

(10) **Patent No.:** **US D912,217 S**  
(45) **Date of Patent:** **\*\* Mar. 2, 2021**

- (54) **TUB SPOUT**
- (71) Applicant: **DELTA FAUCET COMPANY**,  
Indianapolis, IN (US)
- (72) Inventor: **Thad Eads**, Urbana, IN (US)
- (73) Assignee: **DELTA FAUCET COMPANY**,  
Indianapolis, IN (US)
- (\*\*) Term: **15 Years**
- (21) Appl. No.: **29/683,453**
- (22) Filed: **Mar. 13, 2019**
- (51) **LOC (13) Cl.** ..... **23-01**
- (52) **U.S. Cl.**  
USPC ..... **D23/255**
- (58) **Field of Classification Search**  
USPC ..... D23/238, 241–243, 249, 255, 257  
CPC ..... Y10T 137/9464; Y10T 137/6014; Y10T  
137/6017  
See application file for complete search history.

- D719,243 S \* 12/2014 Fritz ..... D23/255
- D810,888 S \* 2/2018 Schoenherr ..... D23/255
- D815,255 S \* 4/2018 Garland ..... D23/255
- D870,248 S \* 12/2019 Spangler ..... D23/257

\* cited by examiner

*Primary Examiner* — Robert A Delehanty  
(74) *Attorney, Agent, or Firm* — Nirav D. Parikh; Edgar  
A. Zarins

(57) **CLAIM**

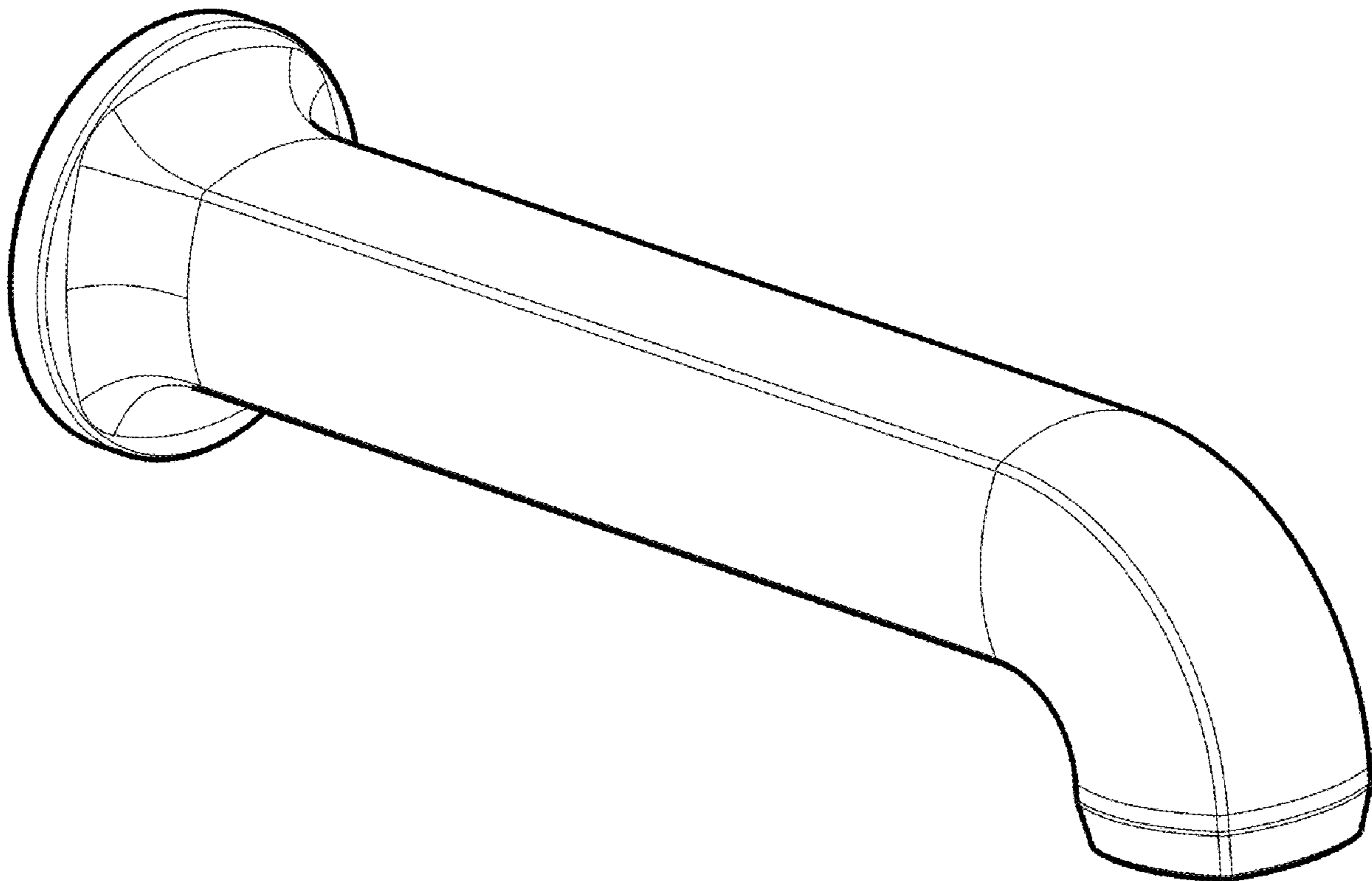
The ornamental design for a tub spout, as shown and described.

**DESCRIPTION**

FIG. 1 is a front perspective view of a tub spout showing my new design;  
FIG. 2 is a rear perspective view thereof;  
FIG. 3 is a front elevational view thereof;  
FIG. 4 is a left side view thereof;  
FIG. 5 is a rear view thereof;  
FIG. 6 is a right side view thereof; and,  
FIG. 7 is a top plan view thereof.

**1 Claim, 4 Drawing Sheets**

- (56) **References Cited**  
U.S. PATENT DOCUMENTS  
D601,667 S \* 10/2009 Schoenherr ..... D23/255  
D619,223 S \* 7/2010 Sofield ..... D23/255



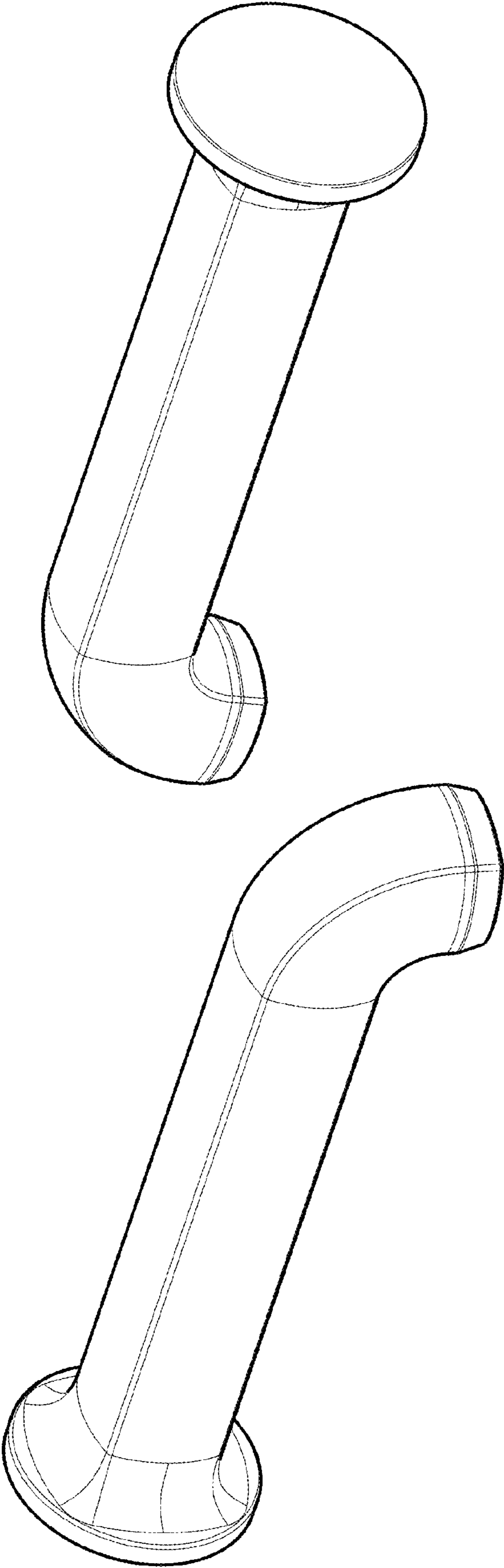


FIG - 2

FIG - 1

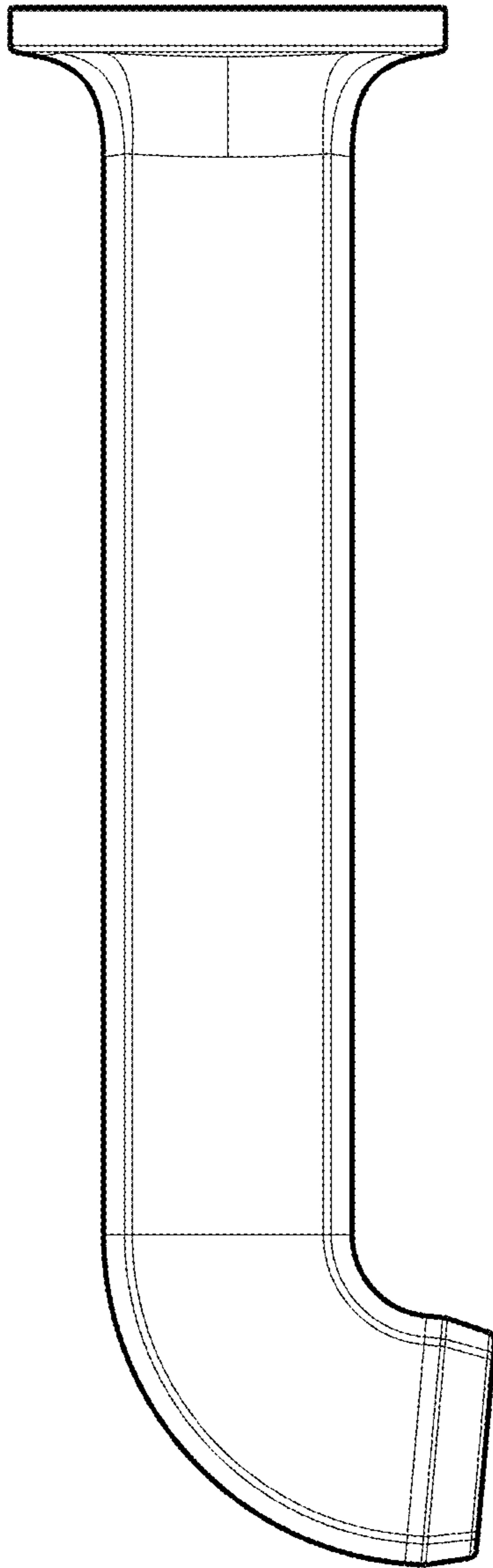


FIG - 4

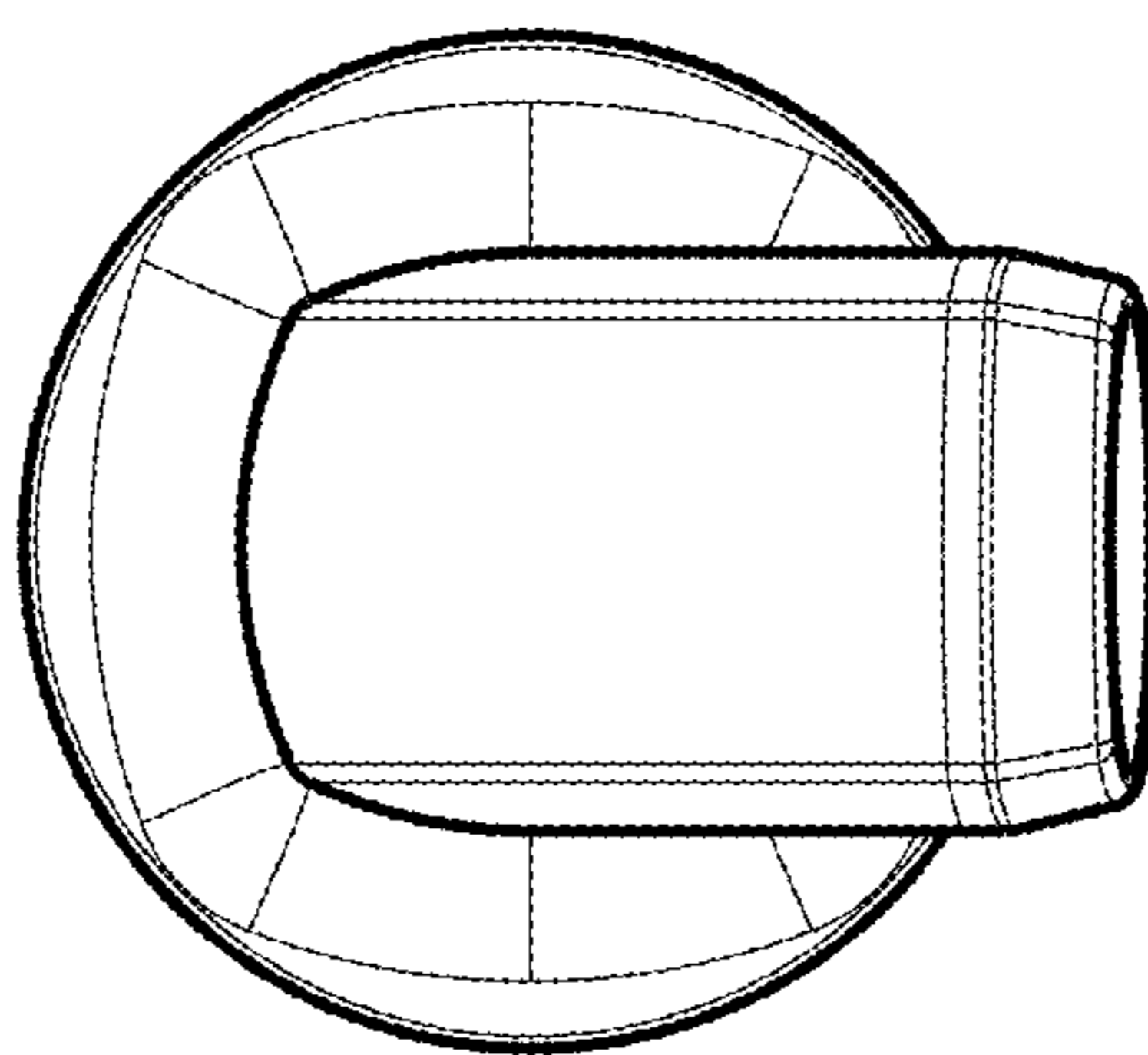


FIG - 3

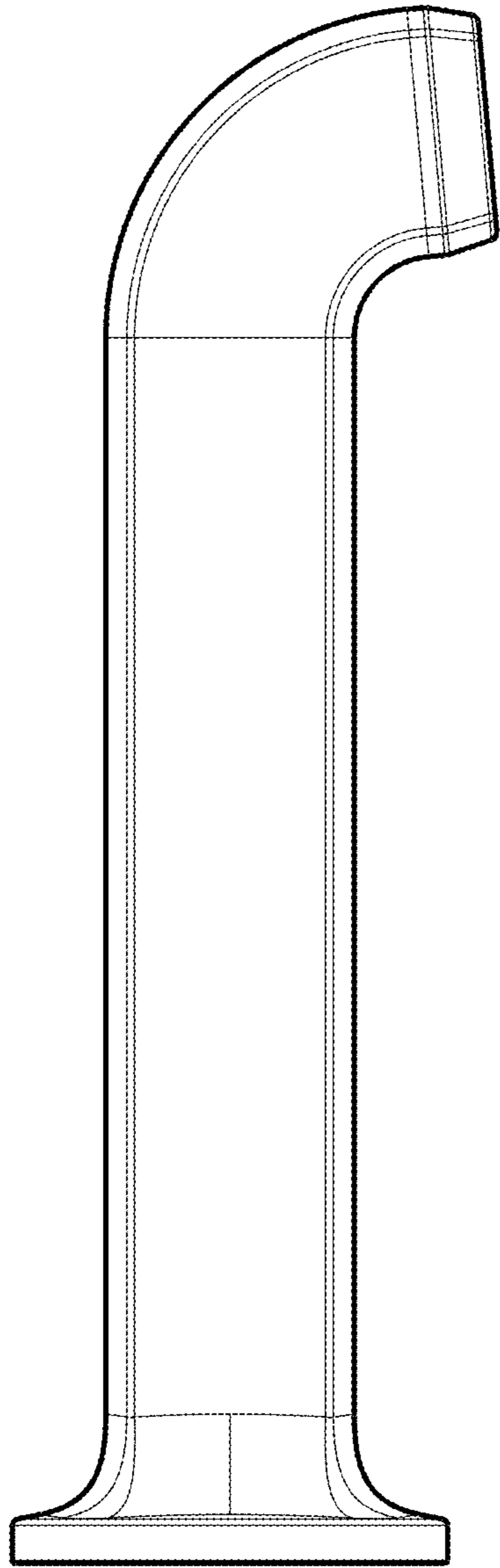


FIG - 5

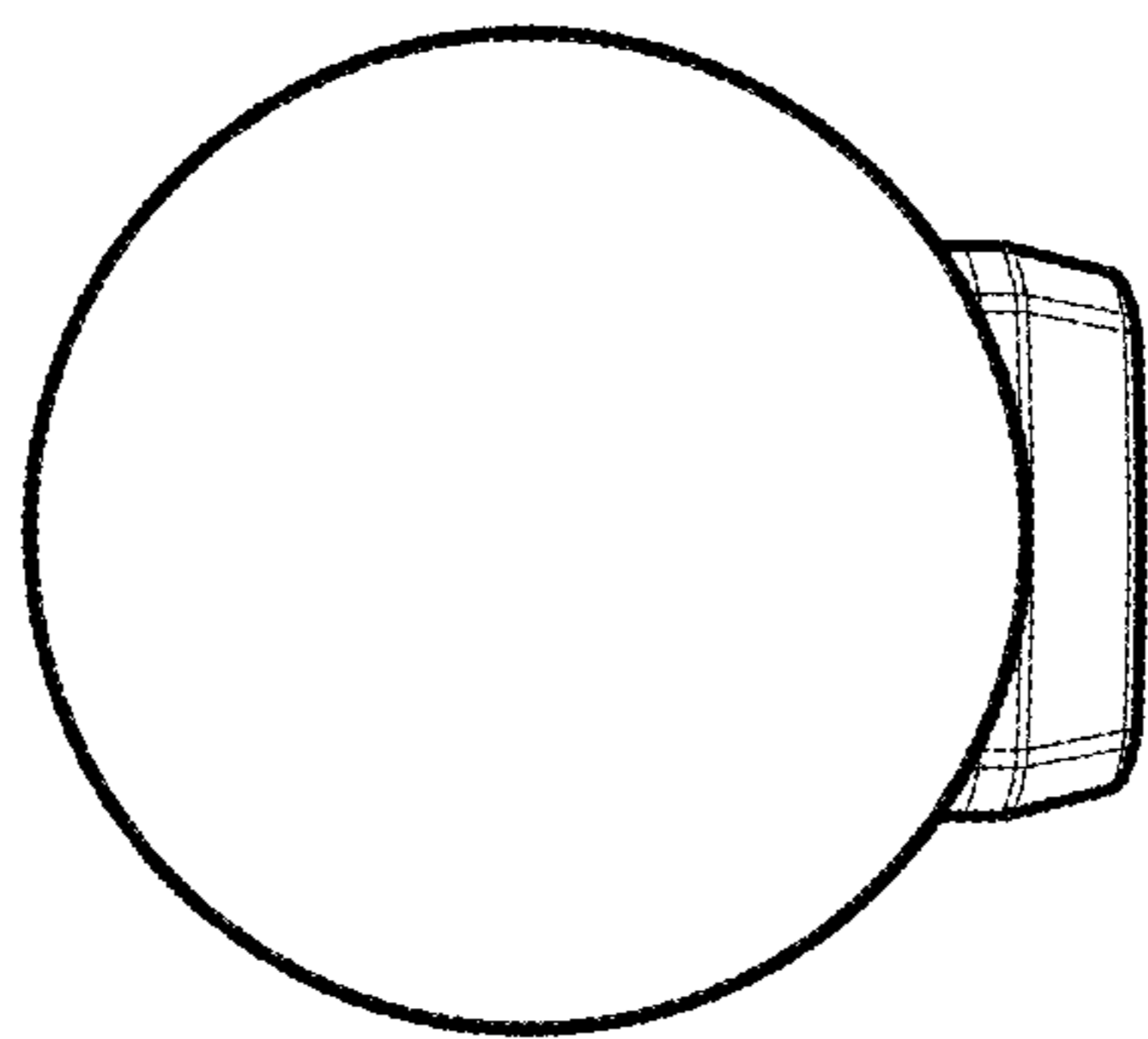


FIG - 6

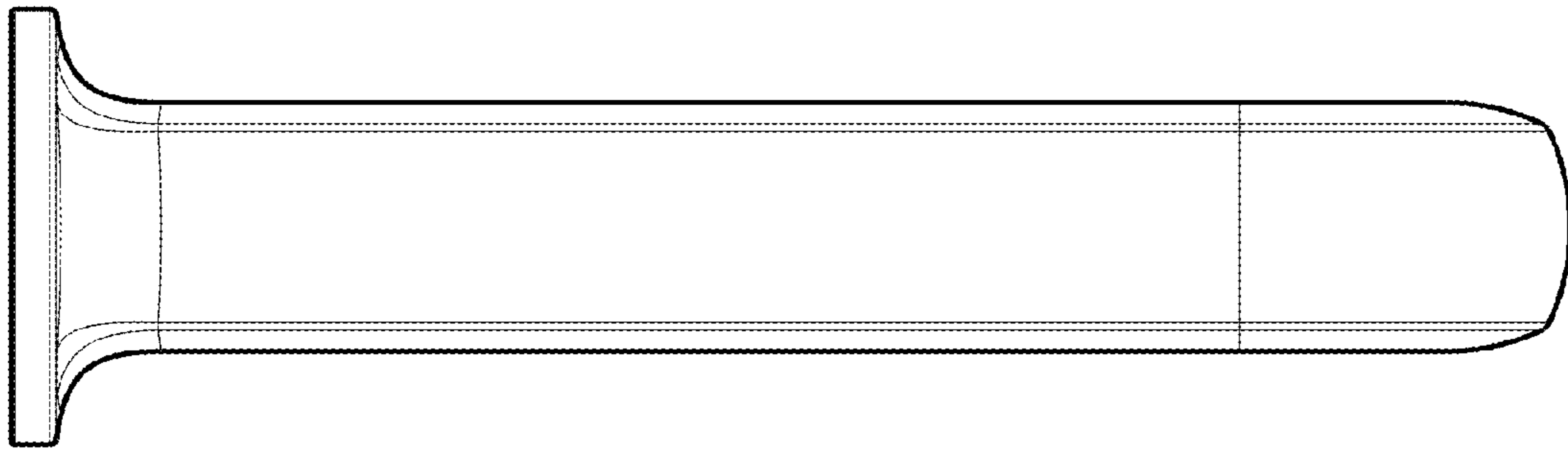


FIG - 7