



US00D912216S

(12) **United States Design Patent**
Malimovka

(10) **Patent No.:** **US D912,216 S**

(45) **Date of Patent:** **** Mar. 2, 2021**

- (54) **VALVE**
- (71) Applicant: **Dorot Management Control Valves Ltd.**, Hof Ashkelon (IL)
- (72) Inventor: **Uzi Malimovka**, Givat-Shmuel (IL)
- (73) Assignee: **DOROT MANAGEMENT CONTROL VALVES LTD.**, Hof Ashkelon (IL)
- (**) Term: **15 Years**
- (21) Appl. No.: **29/657,885**
- (22) Filed: **Jul. 26, 2018**
- (51) **LOC (13) Cl.** **23-01**
- (52) **U.S. Cl.**
USPC **D23/245**
- (58) **Field of Classification Search**
USPC D23/233–237, 241–249; 137/98, 100, 137/597, 625.68, 7
CPC G05D 23/136; G05D 23/13; G05D 16/024; G05D 23/1353; F16K 31/0693; F16K 39/022; F16K 11/00; F16K 11/0716; F16K 1/54
See application file for complete search history.

D460,526 S *	7/2002	Weingarten	D23/244
D538,890 S *	3/2007	Park	D23/233
D660,404 S *	5/2012	Weingarten	D23/244
D700,283 S *	2/2014	Park	D23/233
D736,890 S *	8/2015	Park	D23/233
D835,240 S *	12/2018	Ben Yaacov	D23/248

* cited by examiner

Primary Examiner — Gino Colan

(74) *Attorney, Agent, or Firm* — Edell, Shapiro & Finnan, LLC

(57) **CLAIM**

The ornamental design for a valve, as shown and described.

DESCRIPTION

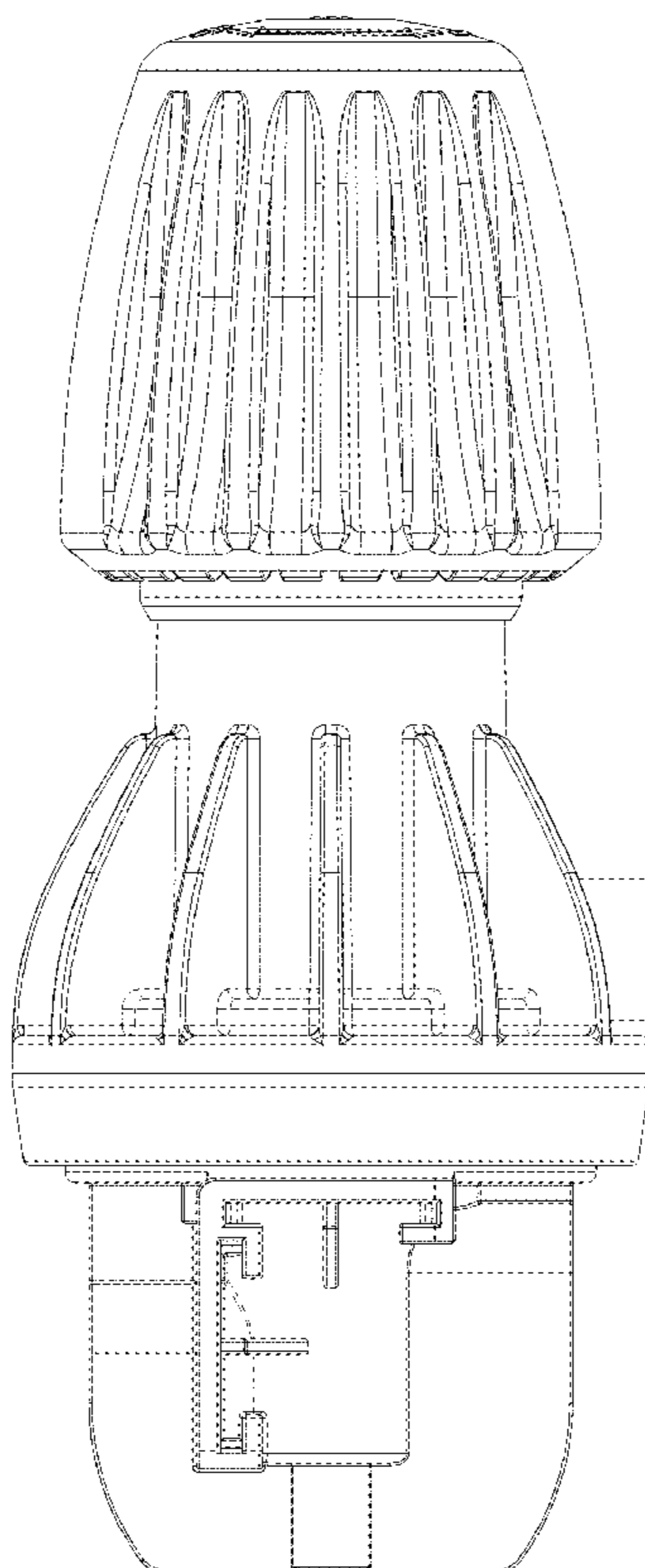
FIG. 1 is a front elevation view of a valve showing the new design;
 FIG. 2 is a rear elevation view of the valve of FIG. 1;
 FIG. 3 is a left side elevation view of the valve of FIG. 1;
 FIG. 4 is an elevation view of the valve of FIG. 1 rotated 120° about its longitudinal axis from the view of FIG. 1;
 FIG. 5 is an elevation view of the valve of FIG. 1 rotated 240° about its longitudinal axis from the view of FIG. 1;
 FIG. 6 is a right side elevation view of the valve of FIG. 1;
 FIG. 7 is a bottom plan view of the valve of FIG. 1; and,
 FIG. 8 is a top plan view of the valve of FIG. 1.
 The broken lines shown in the figures are included for the purpose of illustrating contextual portions of the valve and form no part of the claimed design.

(56) **References Cited**

U.S. PATENT DOCUMENTS

D273,034 S *	3/1984	Higgins	D23/245
D277,024 S *	1/1985	Fechtner	D23/245

1 Claim, 7 Drawing Sheets



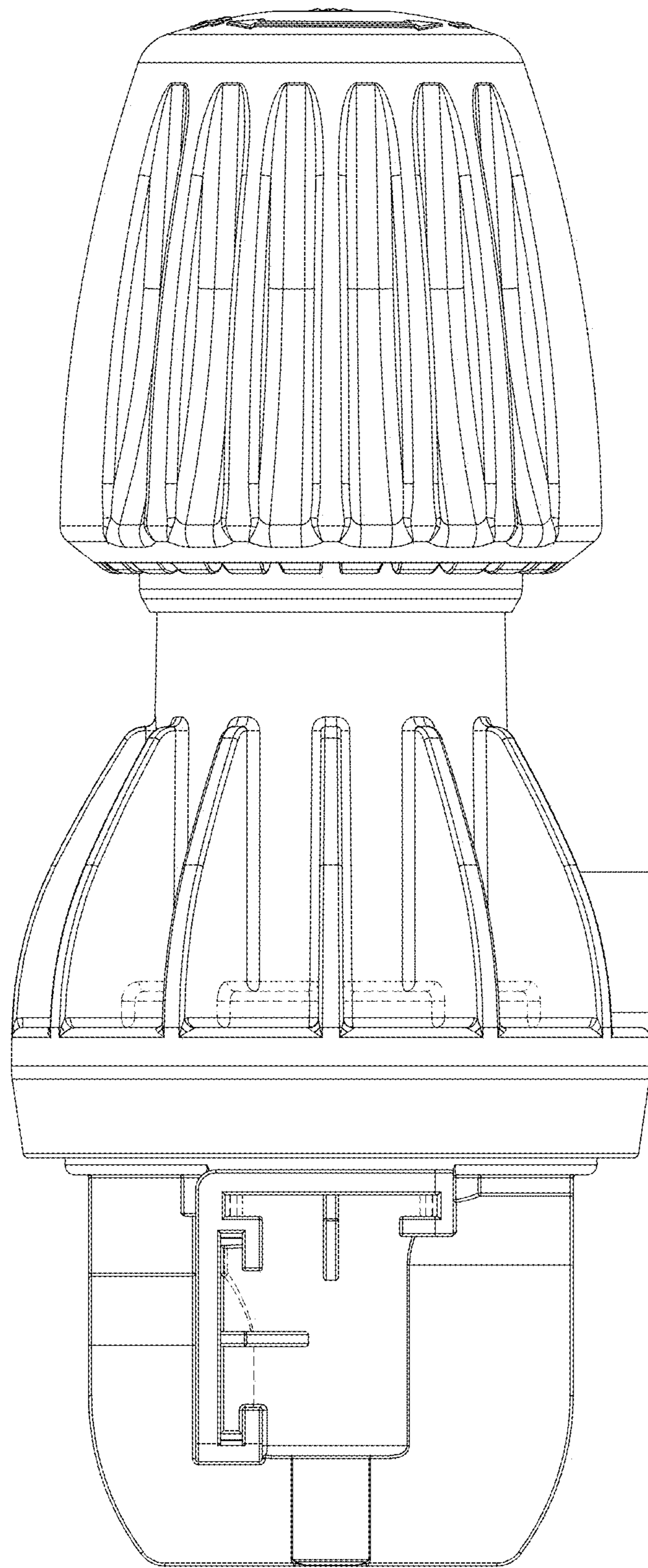


FIG.1

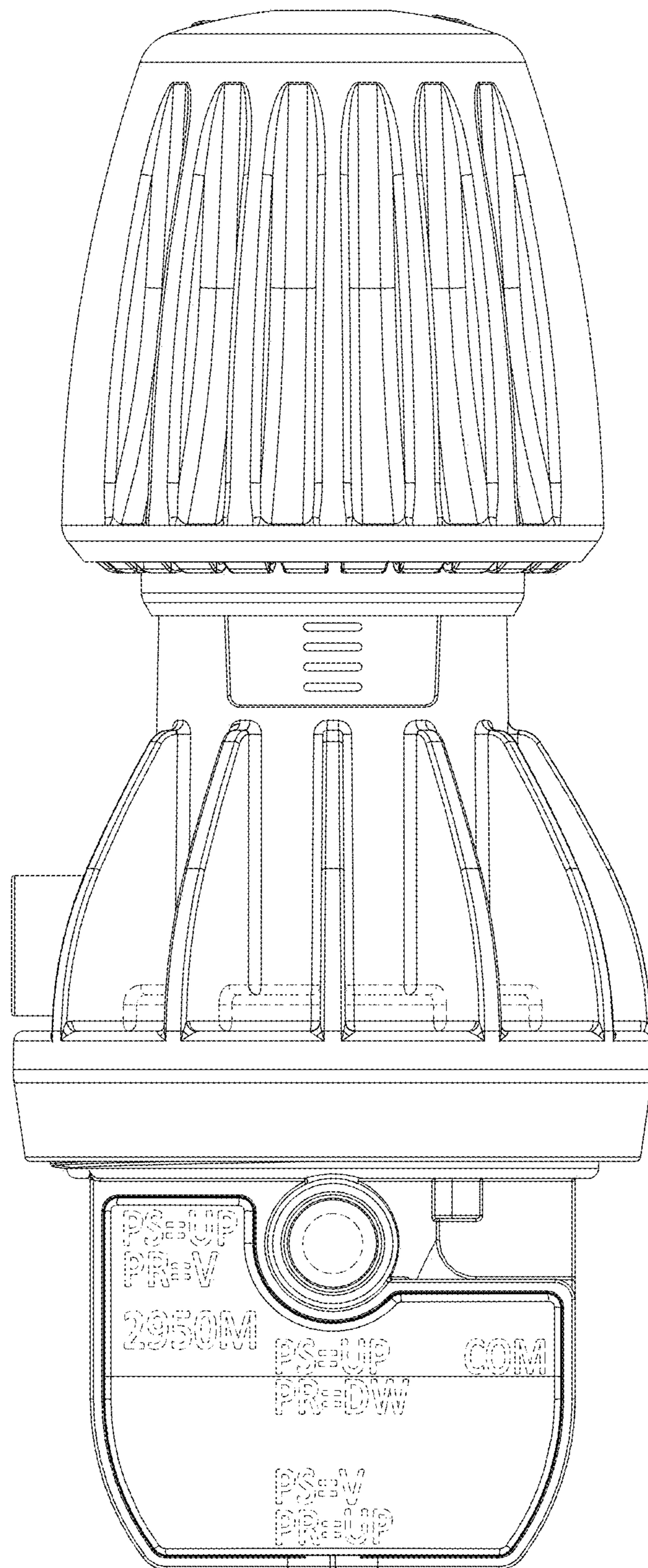


FIG.2

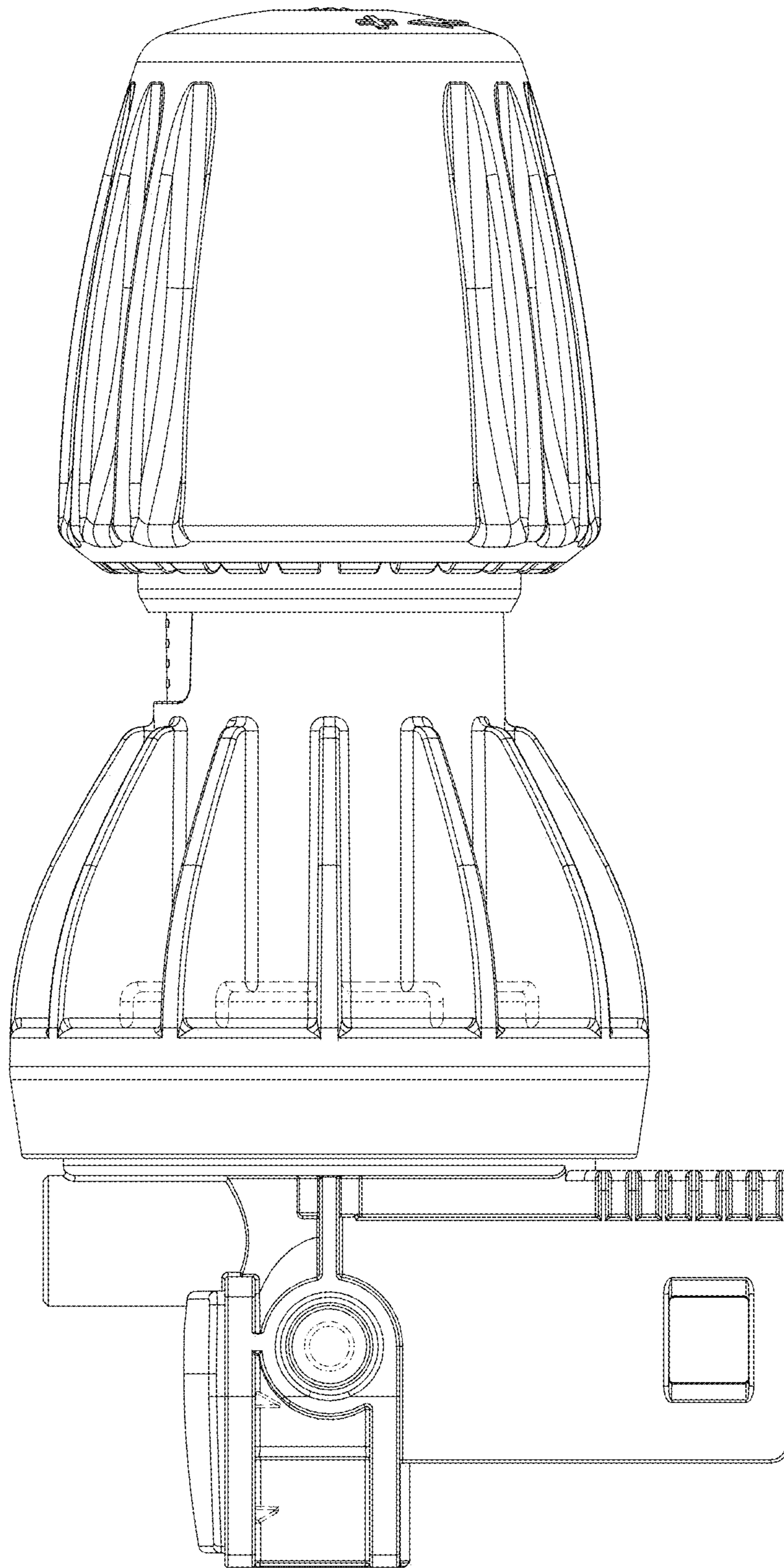


FIG.3

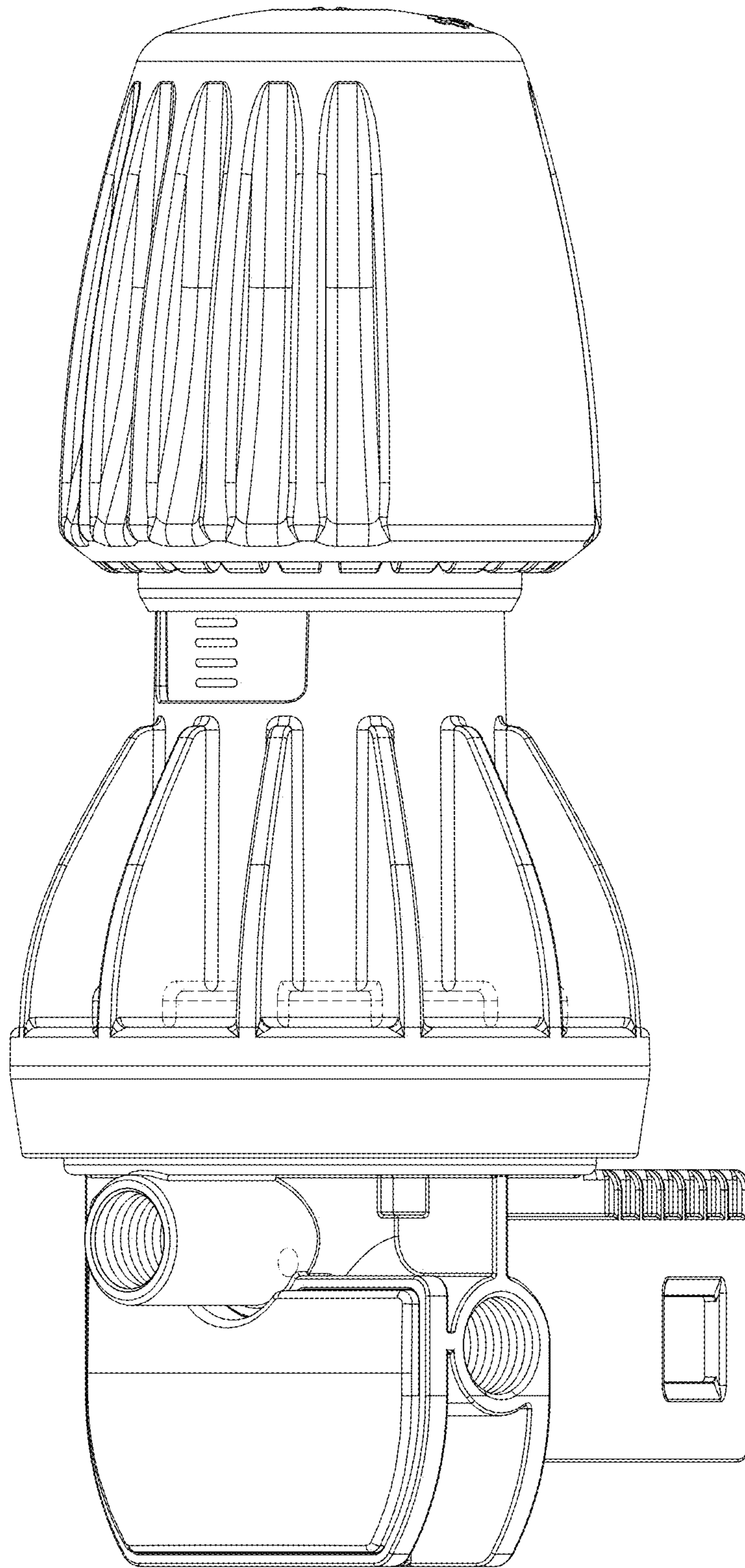


FIG.4

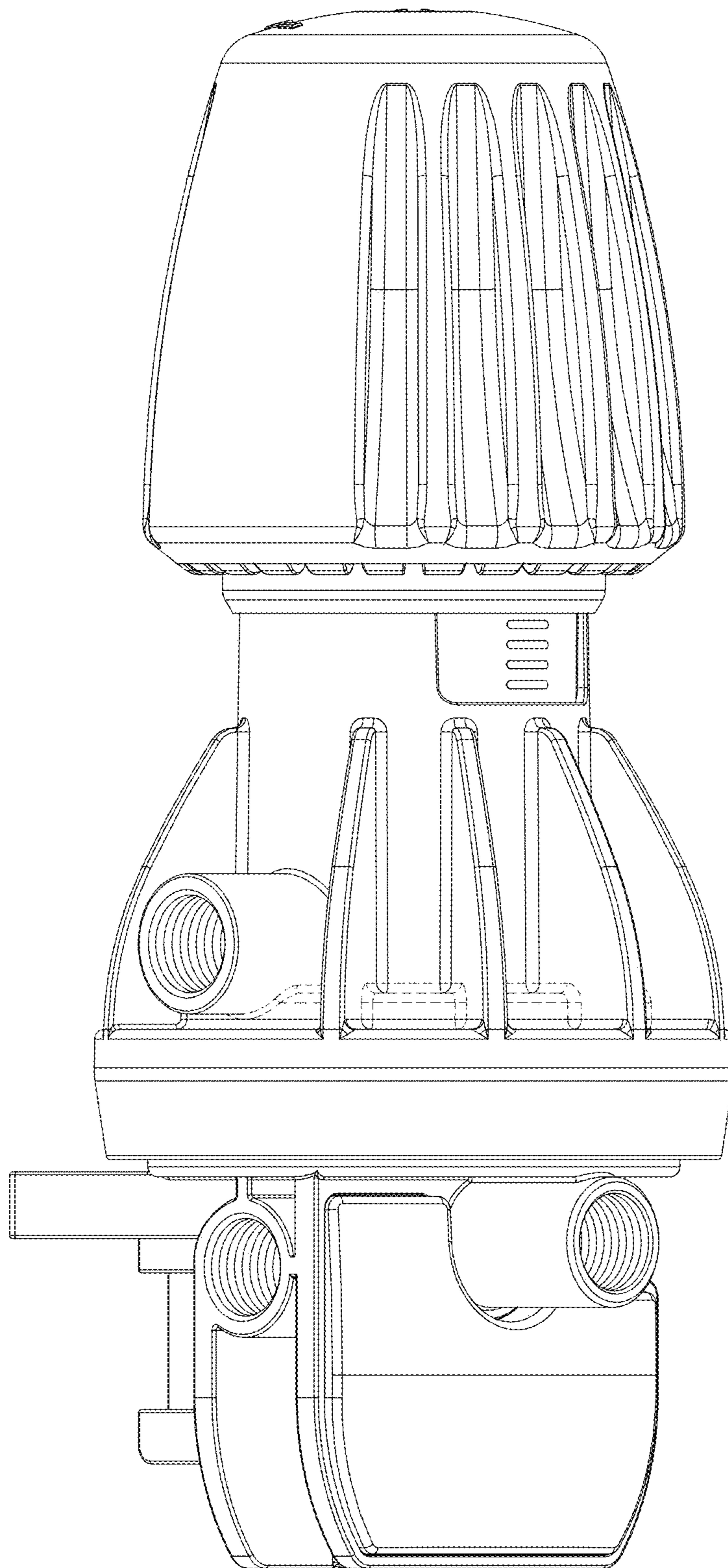


FIG.5

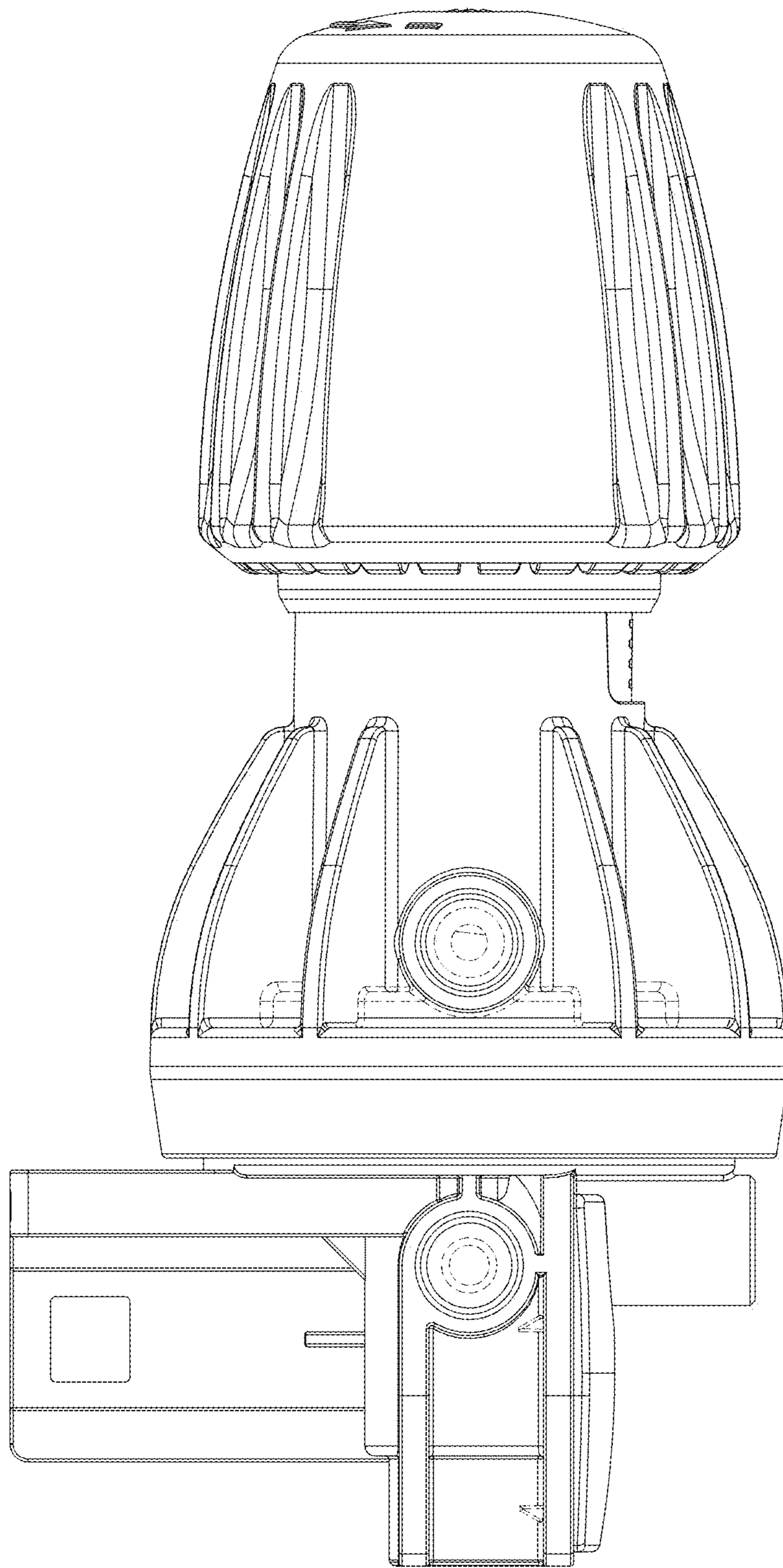


FIG.6

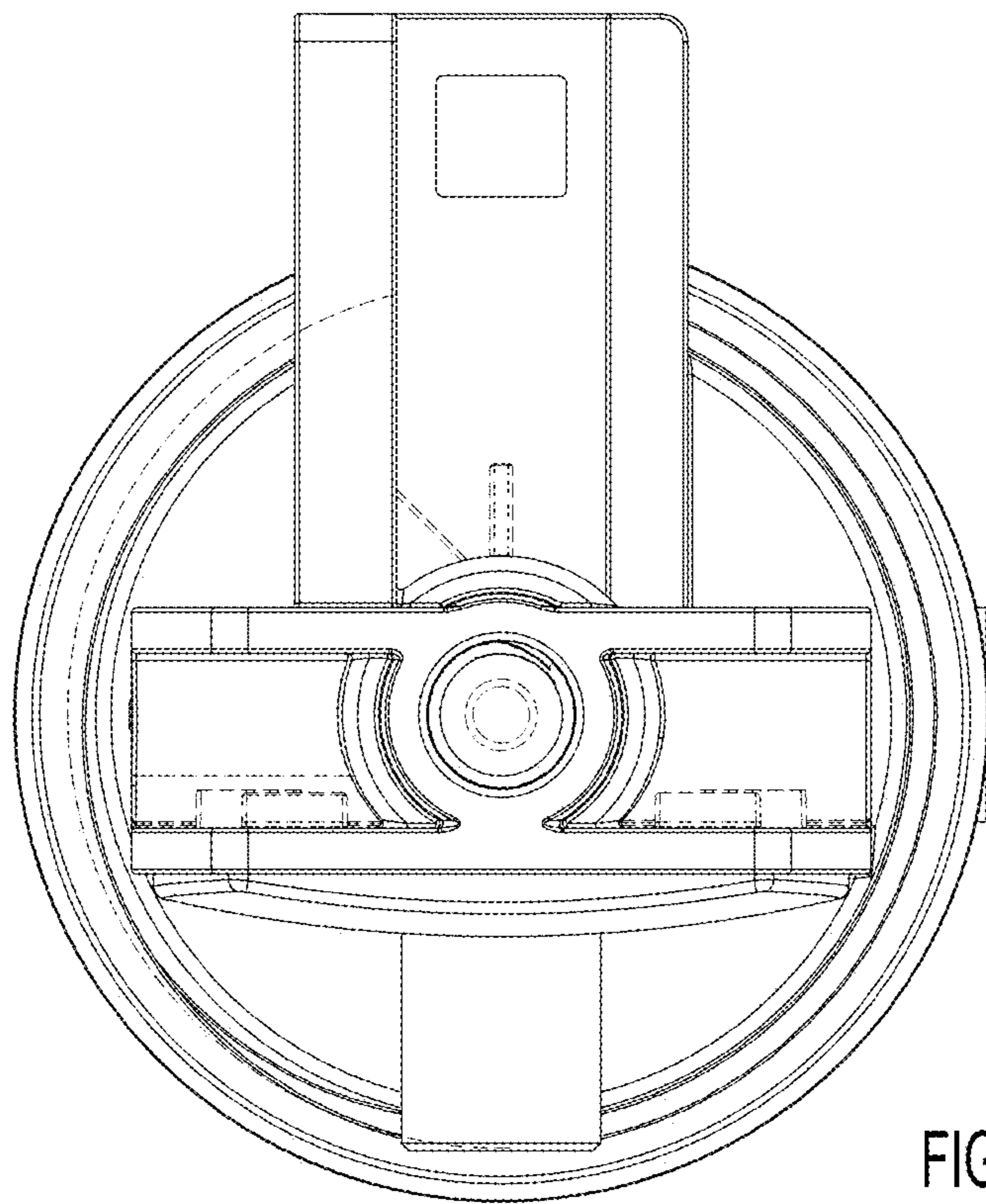


FIG. 7

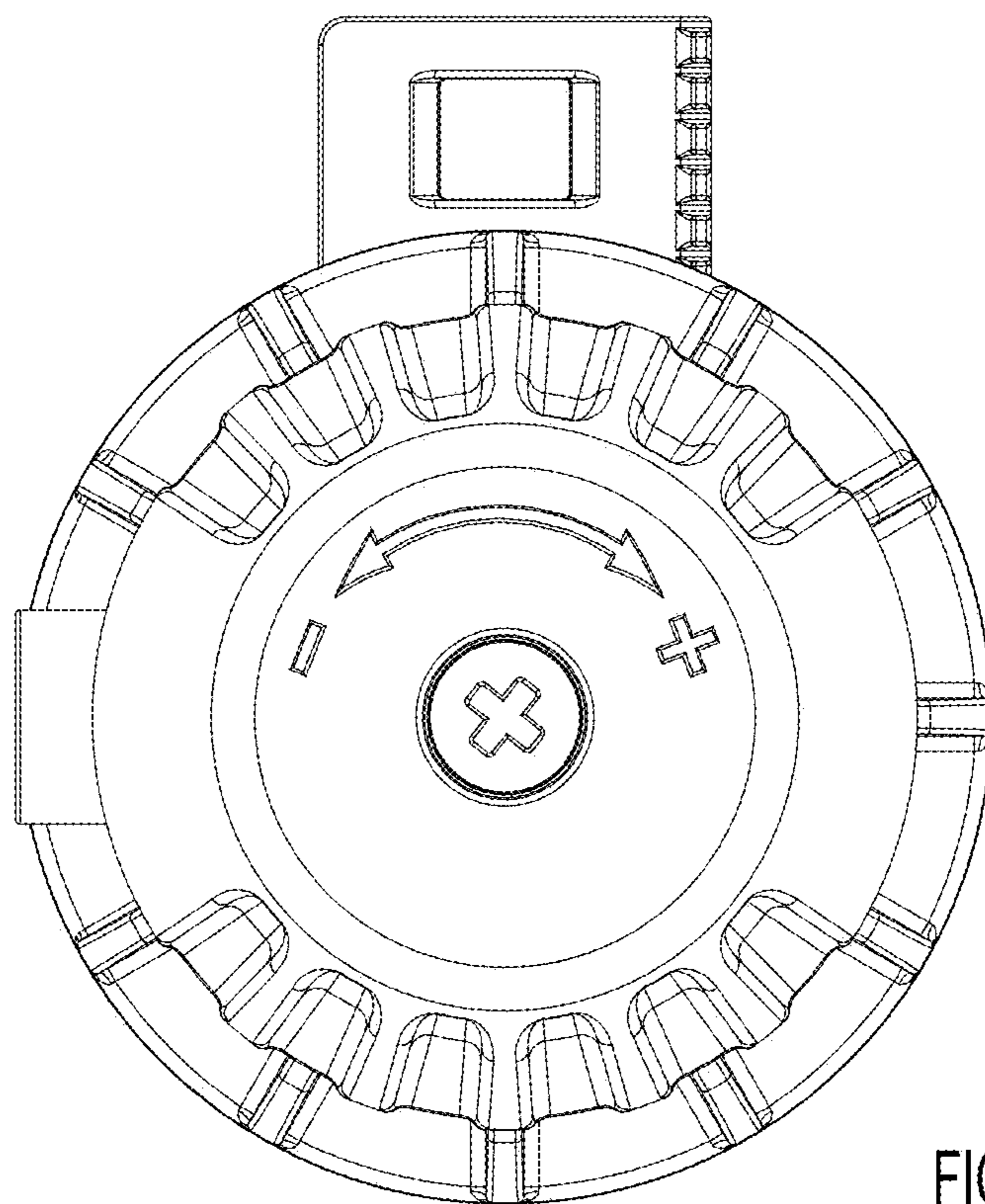


FIG. 8