

US00D912215S

(12) **United States Design Patent**
Kuang

(10) **Patent No.:** **US D912,215 S**
(45) **Date of Patent:** **** Mar. 2, 2021**

- (54) **BATHROOM FAUCET**
- (71) Applicant: **KAIPING LESHI HOUSEHOLD PRODUCTS CO., LTD.,** Kaiping (CN)
- (72) Inventor: **Zicong Kuang,** Kaiping (CN)
- (73) Assignee: **KAIPING LESHI HOUSEHOLD PRODUCTS CO., LTD.,** Kaiping (CN)

D846,705 S	4/2019	Garland	
D848,575 S	5/2019	Garland	
D865,127 S	10/2019	Fang	
D879,252 S	3/2020	Yu	
D886,243 S	6/2020	Tsai	
D890,885 S	7/2020	Tsai	
D891,585 S	7/2020	Spangler	
D896,349 S *	9/2020	Kuang	D23/242
2013/0213509 A1 *	8/2013	Thomas	E03C 1/04 137/801

(**) Term: **15 Years**

(21) Appl. No.: **29/748,989**

(22) Filed: **Sep. 2, 2020**

(51) **LOC (13) Cl.** **23-01**

(52) **U.S. Cl.**
USPC **D23/242**

(58) **Field of Classification Search**
USPC D23/238, 241–243, 249–250, 252,
D23/254–255, 257; D8/307–308, 353
CPC Y10T 137/9464; Y10T 137/6014; Y10T
137/6017
See application file for complete search history.

(56) **References Cited**

U.S. PATENT DOCUMENTS

D522,094 S *	5/2006	Koury	D23/249
D577,422 S *	9/2008	Williams	D23/241
D773,616 S *	12/2016	Potter	D23/252
D800,263 S	10/2017	Andrew	
D822,171 S	7/2018	Bennett	

* cited by examiner

Primary Examiner — Robert A Delehanty

(74) *Attorney, Agent, or Firm* — Law Offices of Steven W. Weinrieb

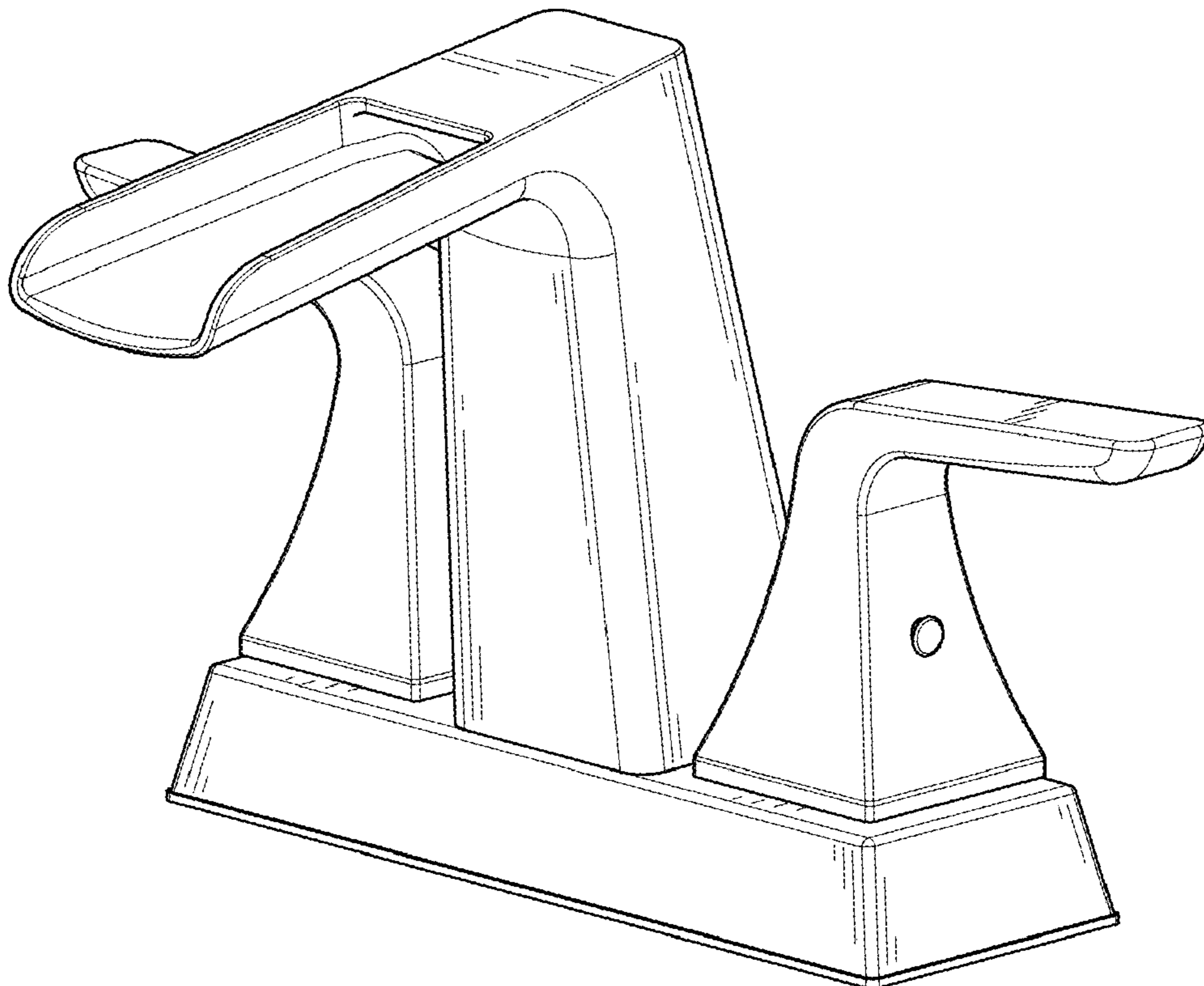
(57) **CLAIM**

The ornamental design for a bathroom faucet, as shown and described.

DESCRIPTION

FIG. 1 is a front, right side, top perspective view of a bathroom faucet showing my new design; FIG. 2 is a front elevational view thereof; FIG. 3 is a rear elevational view thereof; FIG. 4 is a left side elevational view thereof; FIG. 5 is a right side elevational view thereof; FIG. 6 is a top plan view thereof; and, FIG. 7 is a bottom plan view thereof. The broken lines depict portions of the bathroom faucet that form no part of the claimed design.

1 Claim, 7 Drawing Sheets



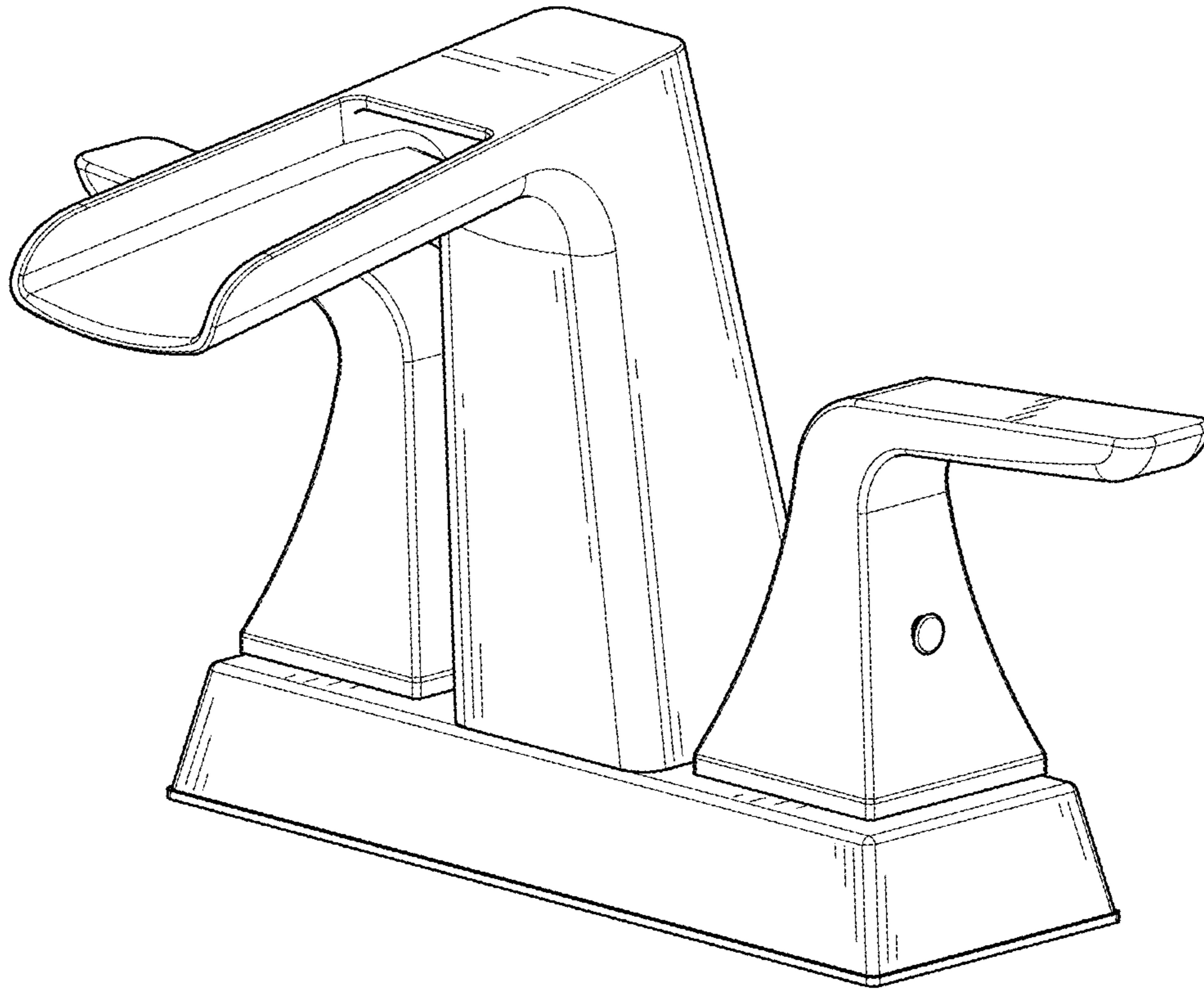


FIG.1

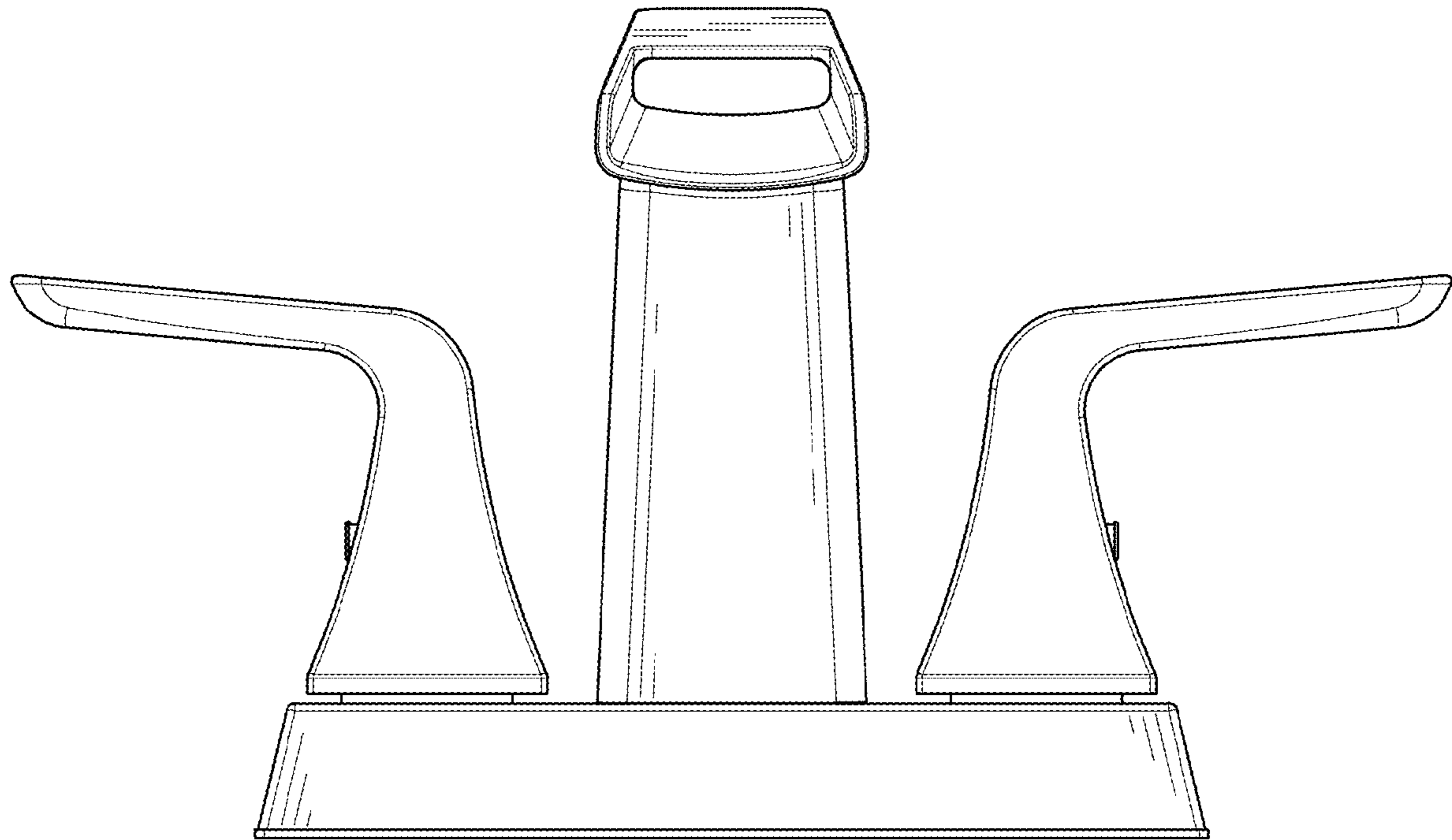


FIG.2

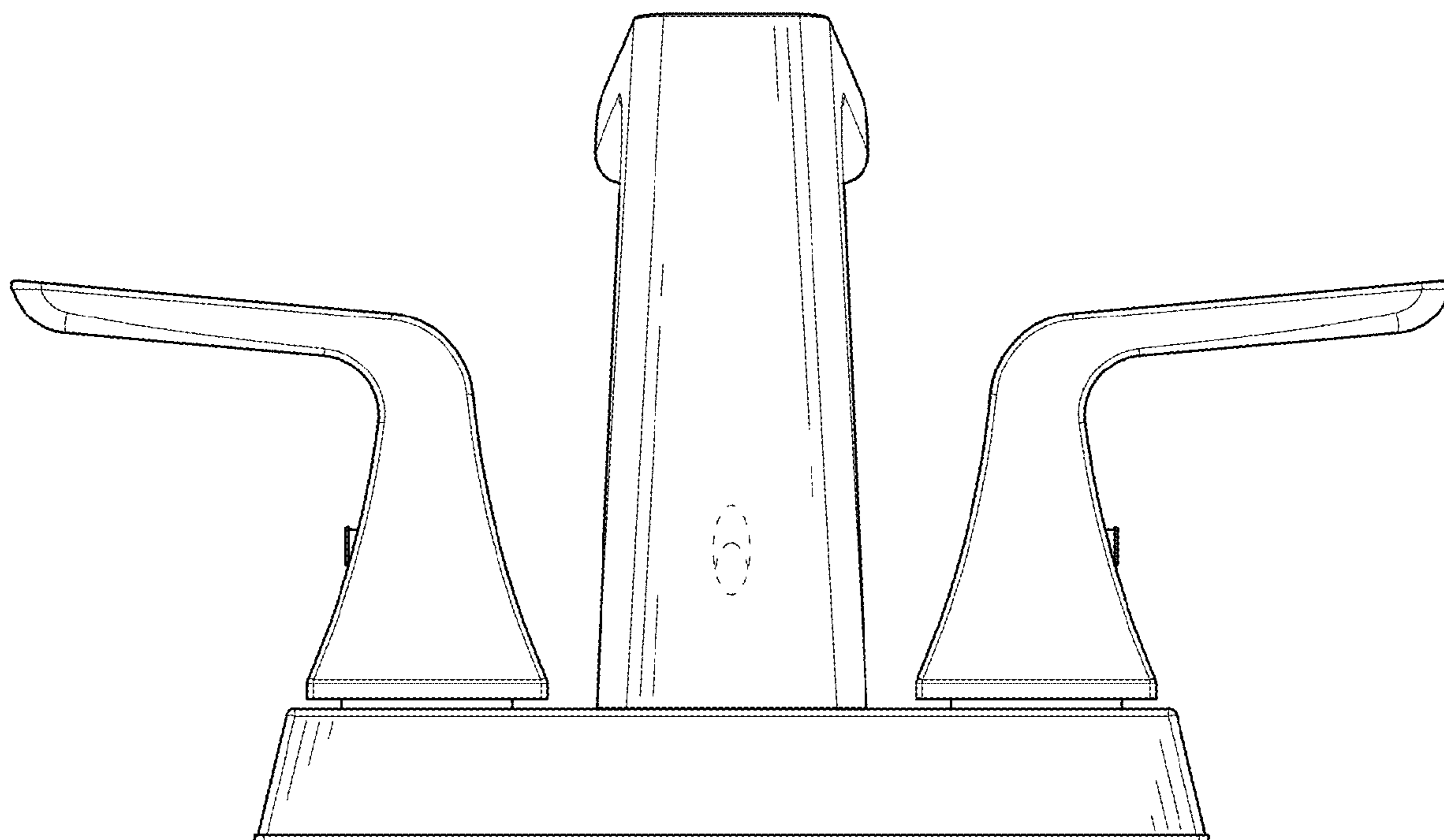


FIG.3

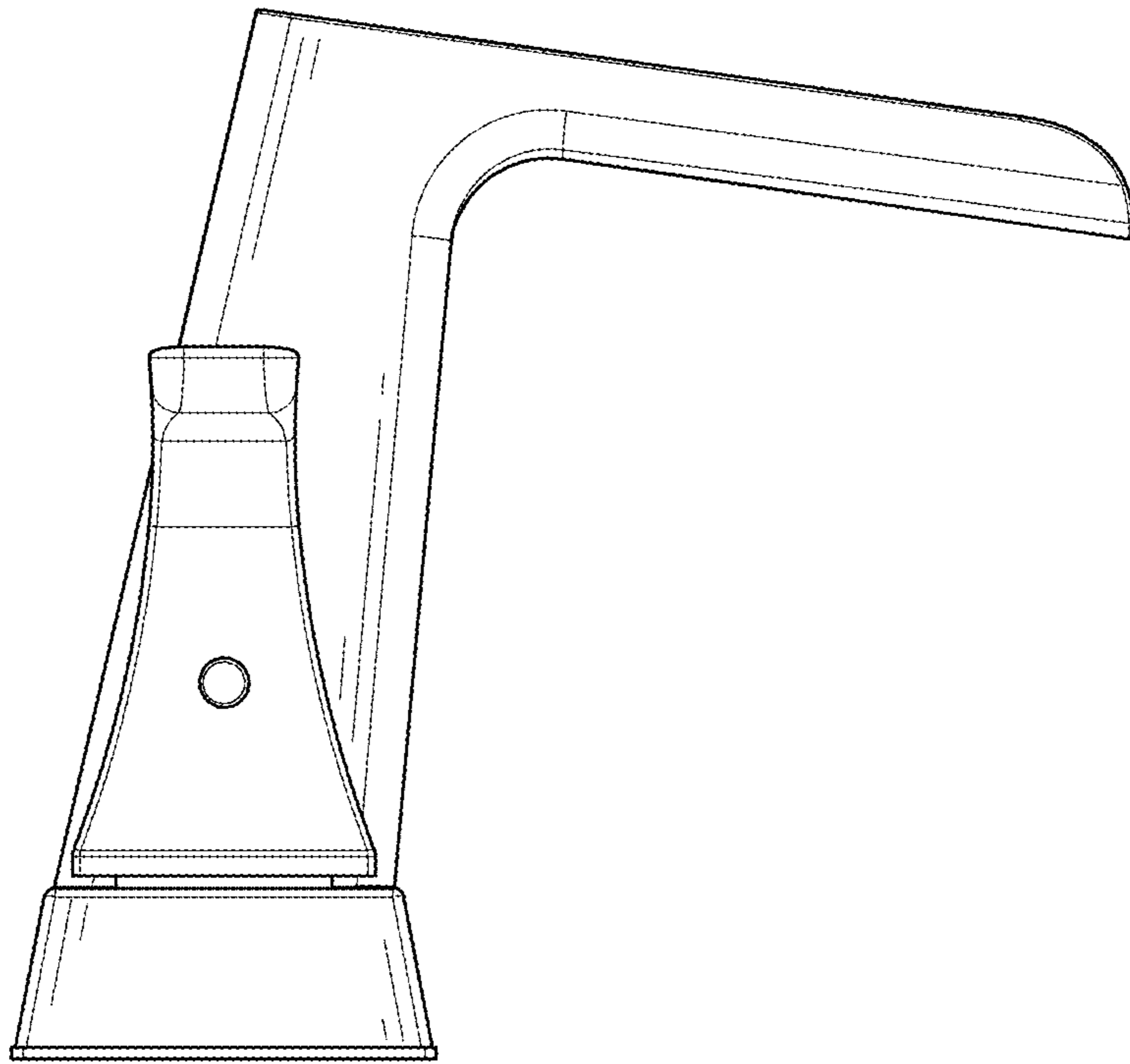


FIG. 4

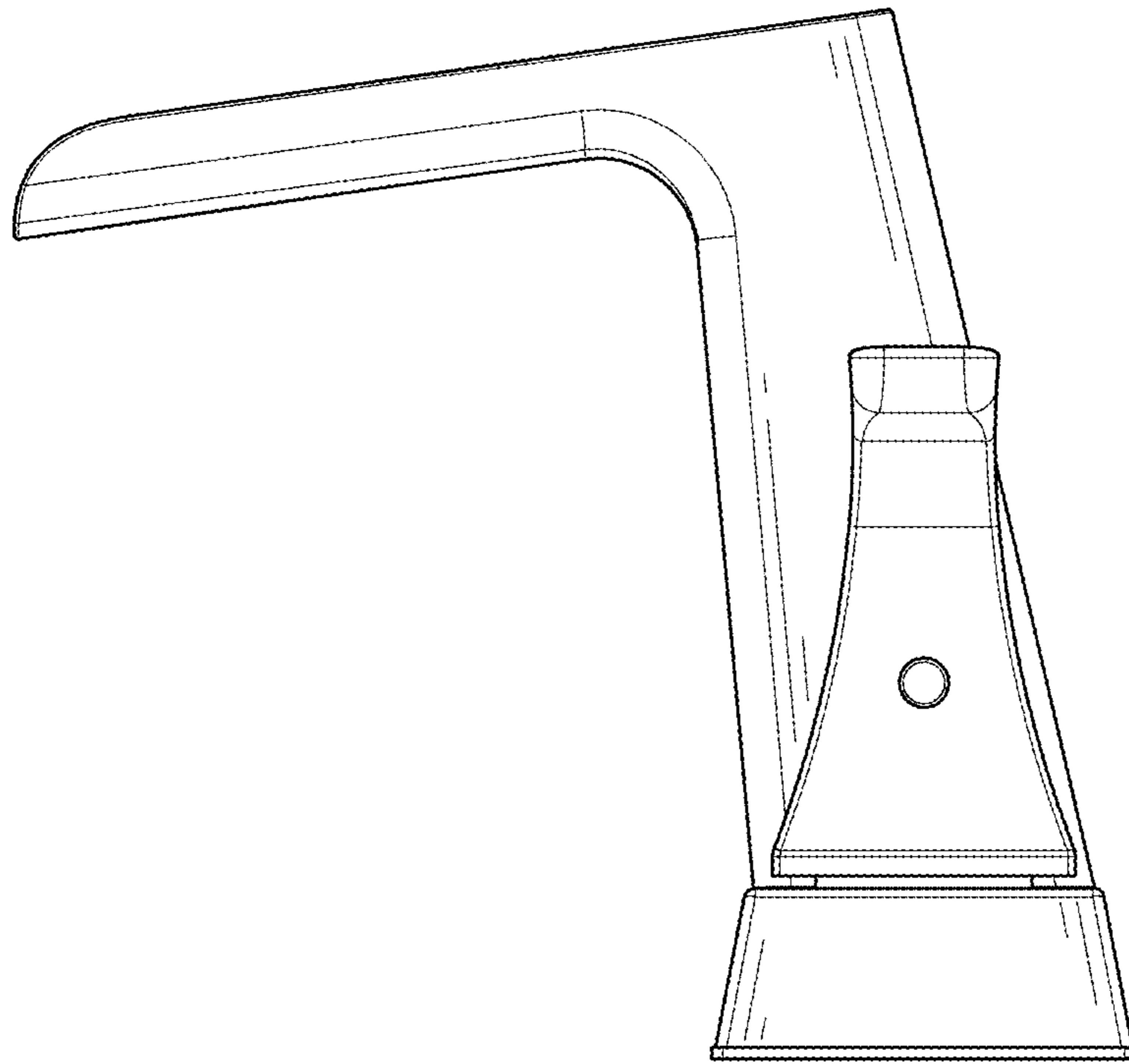


FIG.5

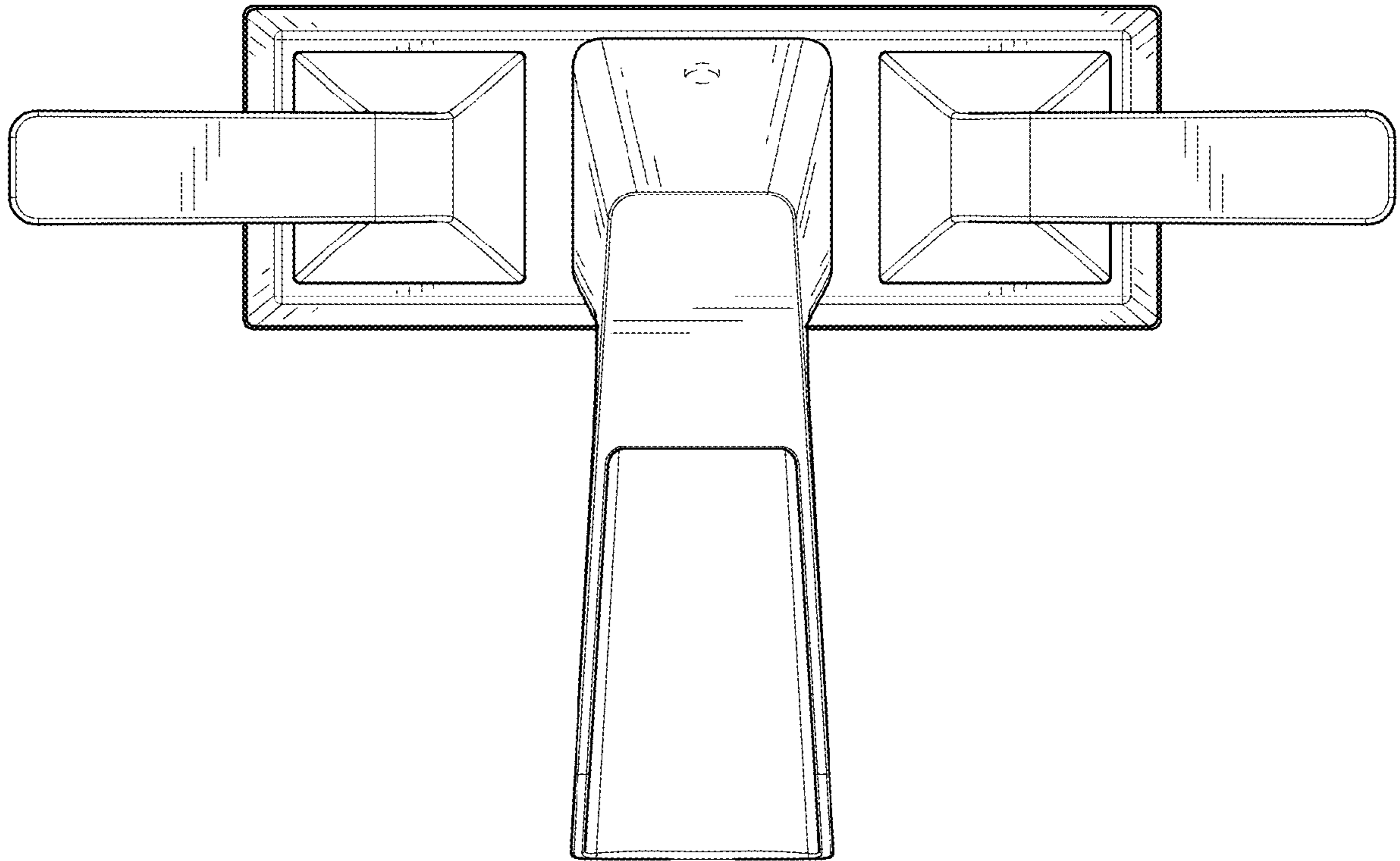


FIG.6

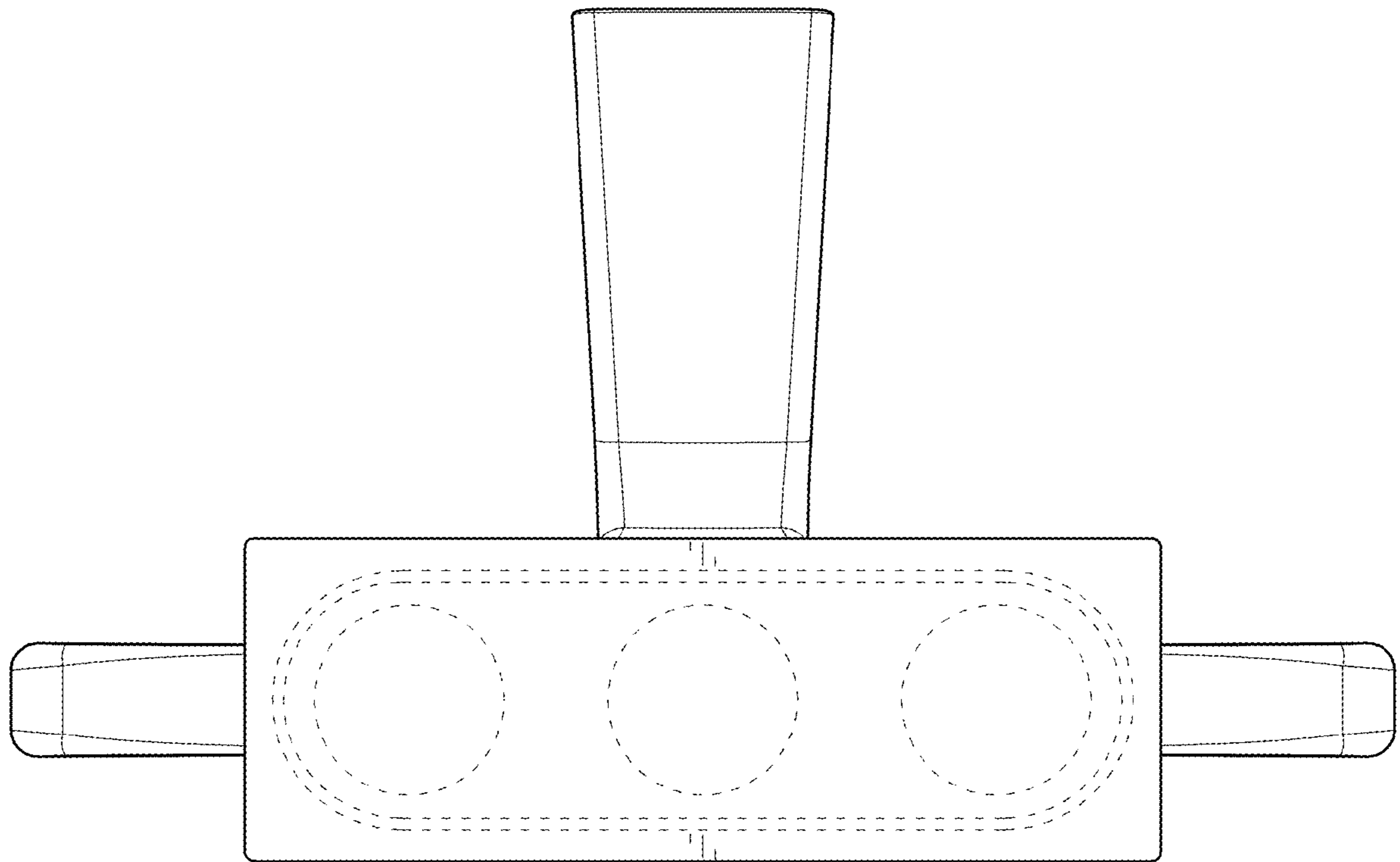


FIG.7