



US00D912214S

(12) **United States Design Patent** (10) **Patent No.:** **US D912,214 S**
Perrin et al. (45) **Date of Patent:** **** Mar. 2, 2021**

(54) **COMBINATION EYEWASH AND FAUCET**

FOREIGN PATENT DOCUMENTS

(71) Applicant: **Bradley Fixtures Corporation**,
Menomonee Falls, WI (US)

CA 178659 * 12/2017
EM 004541399-0001 * 12/2017
EM 004541399-0007 * 12/2017

(72) Inventors: **Timothy E. Perrin**, Hartford, CT (US);
Ryan Pfund, Slinger, WI (US);
Douglas J. Carpiaux, Milwaukee, WI
(US); **Scott H. Micoley**, Plymouth, WI
(US)

OTHER PUBLICATIONS

Bradley Eyewash Station, announced Date Unavailable[online],
[site visited Jul. 15, 2020]. Available from internet, URL:<https://
www.scnindustrial.com/product/bradley-eyewash-station-s19274hw-
sei778> (Year: 2020).*

(73) Assignee: **Bradley Fixtures Corporation**,
Menomonee Falls, WI (US)

(Continued)

(**) Term: **15 Years**

Primary Examiner — Barbara Fox

Assistant Examiner — Jamaal Rasheed

(21) Appl. No.: **29/678,491**

(74) *Attorney, Agent, or Firm* — Foley & Lardner LLP

(22) Filed: **Jan. 29, 2019**

(57) **CLAIM**

We claim the ornamental design for a combination eyewash
and faucet, as shown and described.

(51) **LOC (13) Cl.** **23-01**

(52) **U.S. Cl.**
USPC **D23/239**

DESCRIPTION

(58) **Field of Classification Search**
USPC D23/238–243, 252, 254, 255, 257;
D8/307–308
CPC F16K 31/602; F16K 31/605; F16K 31/607;
E03C 1/0412; E03C 1/04
See application file for complete search history.

FIG. 1 is a front, right perspective view of a combination
eyewash and faucet showing the new design;
FIG. 2 is a front view of the claimed design of FIG. 1;
FIG. 3 is a rear view of the claimed design of FIG. 1;
FIG. 4 is a left side view of the claimed design of FIG. 1;
FIG. 5 is a right side view of the claimed design of FIG. 1;
FIG. 6 is a top view of the claimed design of FIG. 1; and,
FIG. 7 is a bottom view of the claimed design of FIG. 1.
The evenly spaced broken lines shown in the drawings are
included for the purpose of illustrating portions of the article
that form no part of the claimed design. The unequal length
dashes (i.e., dash-dot) define the bounds of the claimed
design. The combination eyewash and faucet is shown with
a symbolic break in its length. The appearance of any portion
of the article between the break lines forms no part of the
claimed design.

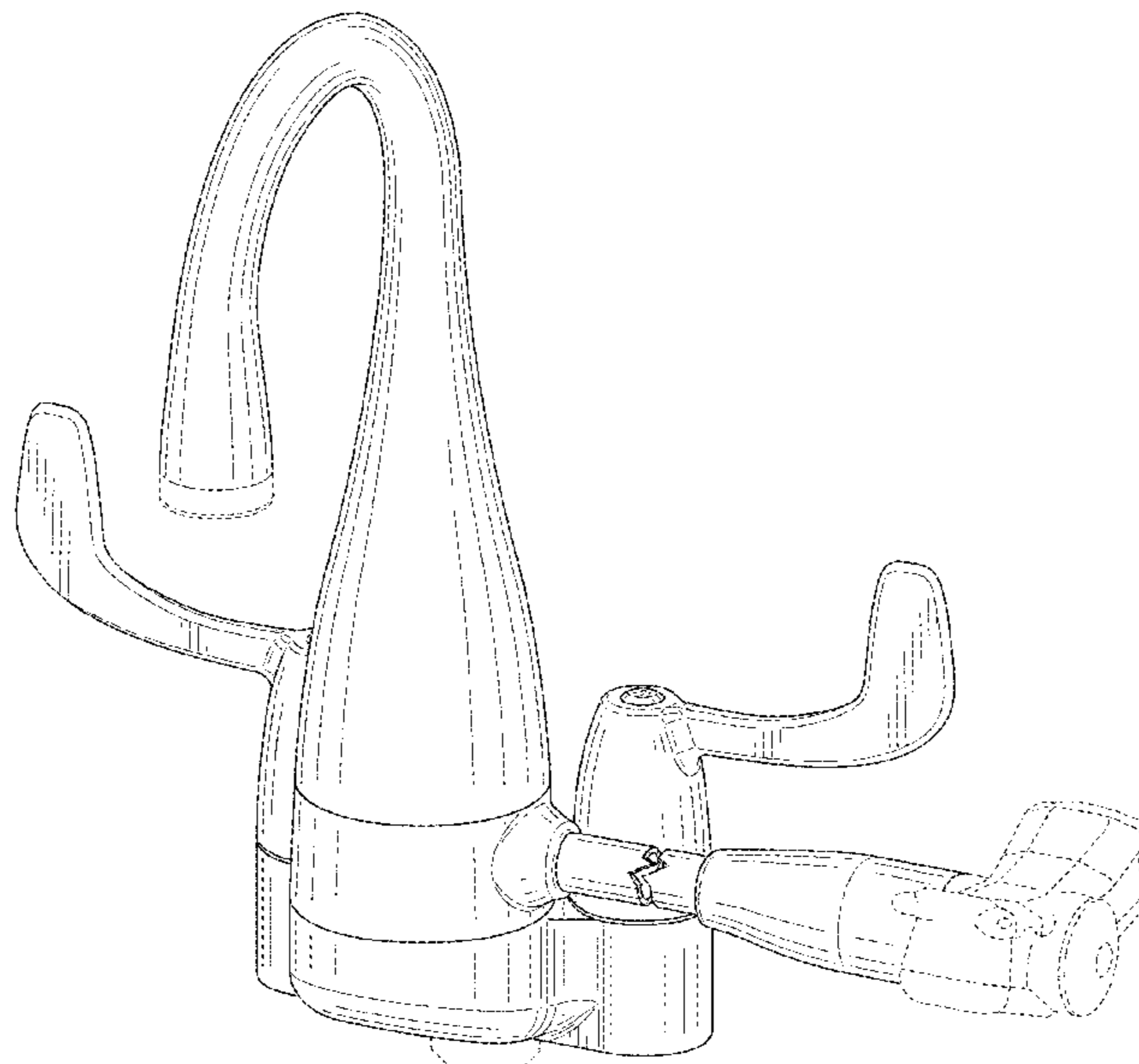
(56) **References Cited**

U.S. PATENT DOCUMENTS

1,079,441 A 11/1913 Roethlisberger
1,354,838 A 10/1920 Perkins
1,524,484 A 1/1925 Lutz
2,635,006 A 4/1953 Richmond
2,999,249 A 9/1961 Logan et al.
4,901,927 A 2/1990 Valdivia
4,975,993 A 12/1990 Black et al.
D330,071 S 10/1992 Zerlia

(Continued)

1 Claim, 7 Drawing Sheets



(56)

References Cited

U.S. PATENT DOCUMENTS

D368,302 S * 3/1996 Doughty D23/241
 5,530,972 A 7/1996 Tanner
 D373,815 S 9/1996 Chaney
 5,740,569 A 4/1998 Gurries et al.
 D437,394 S * 2/2001 Mark D23/238
 D439,953 S * 4/2001 Lord D23/241
 6,227,456 B1 5/2001 Colman
 6,385,794 B1 5/2002 Miedzius et al.
 D465,831 S * 11/2002 Otero D23/238
 6,520,431 B2 2/2003 Donovan
 6,611,972 B2 9/2003 Underbrink et al.
 6,782,568 B2 8/2004 Novak et al.
 D519,613 S * 4/2006 Spangler D23/241
 D543,827 S 6/2007 Citterio
 7,552,747 B1 6/2009 Sargsyan
 7,997,513 B2 8/2011 Chen et al.
 D706,399 S 6/2014 Yang et al.
 D754,297 S * 4/2016 Garland D23/242
 9,492,348 B2 11/2016 Novak et al.
 9,855,189 B2 1/2018 Eveleigh et al.

D865,124 S * 10/2019 Carpiaux D23/239
 D865,126 S * 10/2019 Zeng D23/242
 D875,888 S * 2/2020 Carpiaux D23/238
 D886,952 S * 6/2020 Carpiaux D23/238
 2009/0276954 A1 * 11/2009 Davidson E03C 1/0401
 4/695
 2019/0390446 A1 * 12/2019 Mooren E03C 1/0401

OTHER PUBLICATIONS

Eyewash Faucet, Combination Emergency Eyewash and Gooseneck
 Faucet, Chicago Faucets, CF2124 Nov. 2019, Copyright 2019,
 available at <https://www.chicagofaucets.com/sites/default/files/2020-02/CF2124.pdf>, 2pps.
 Speakman Eyewash-Faucets, website <http://speakman.com/emergency-equipment/eyewash-faucet>, 2017, 2 pages.
 U.S. Notice of Allowance on U.S. Appl. No. 29/6,253, dated Jul. 3,
 2019, 6 pages.
 U.S. Office Action on U.S. Appl. No. 29/607,253, dated Mar. 2,
 2018, 6 pages.

* cited by examiner

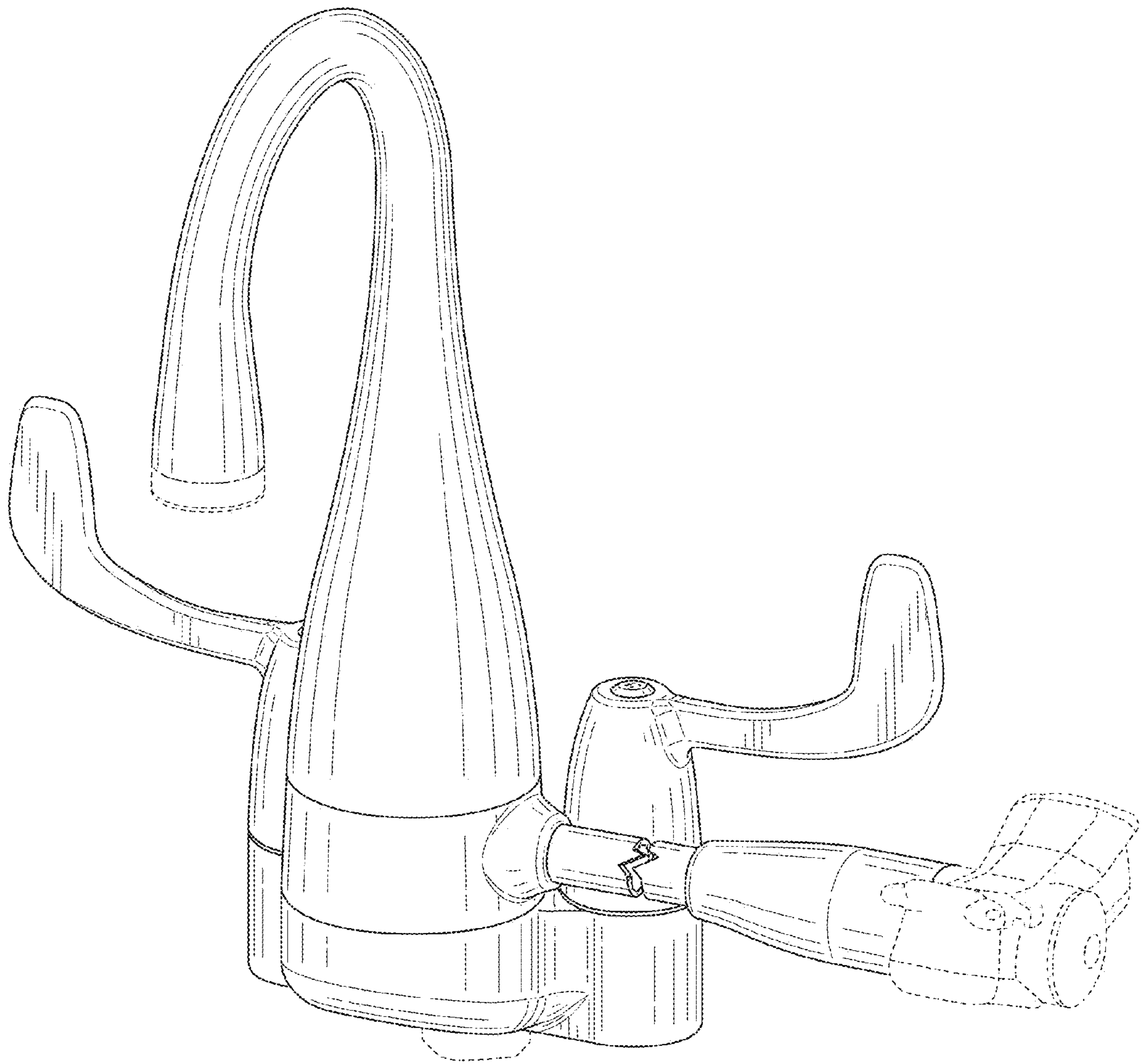


FIG. 1

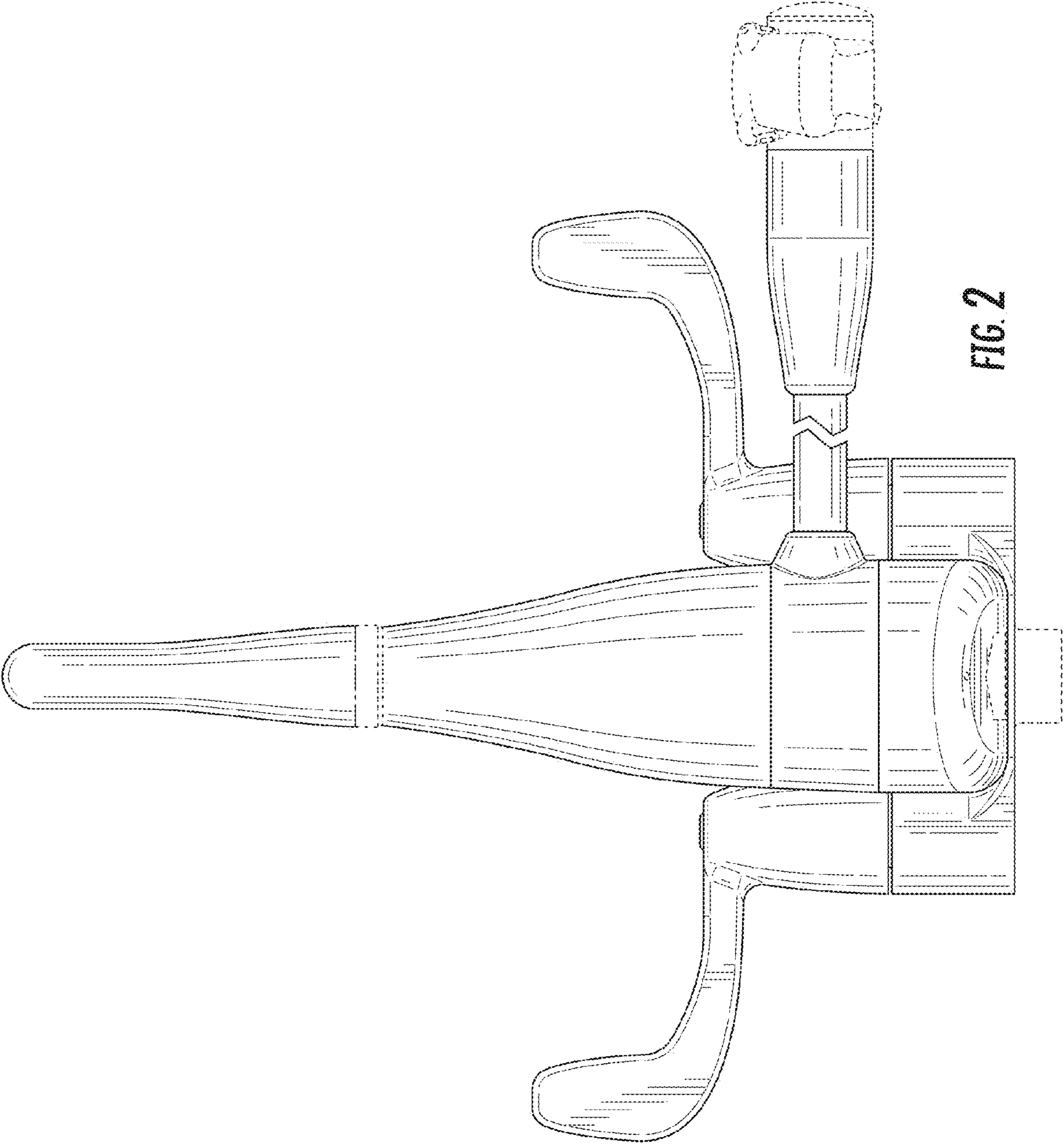


FIG. 2

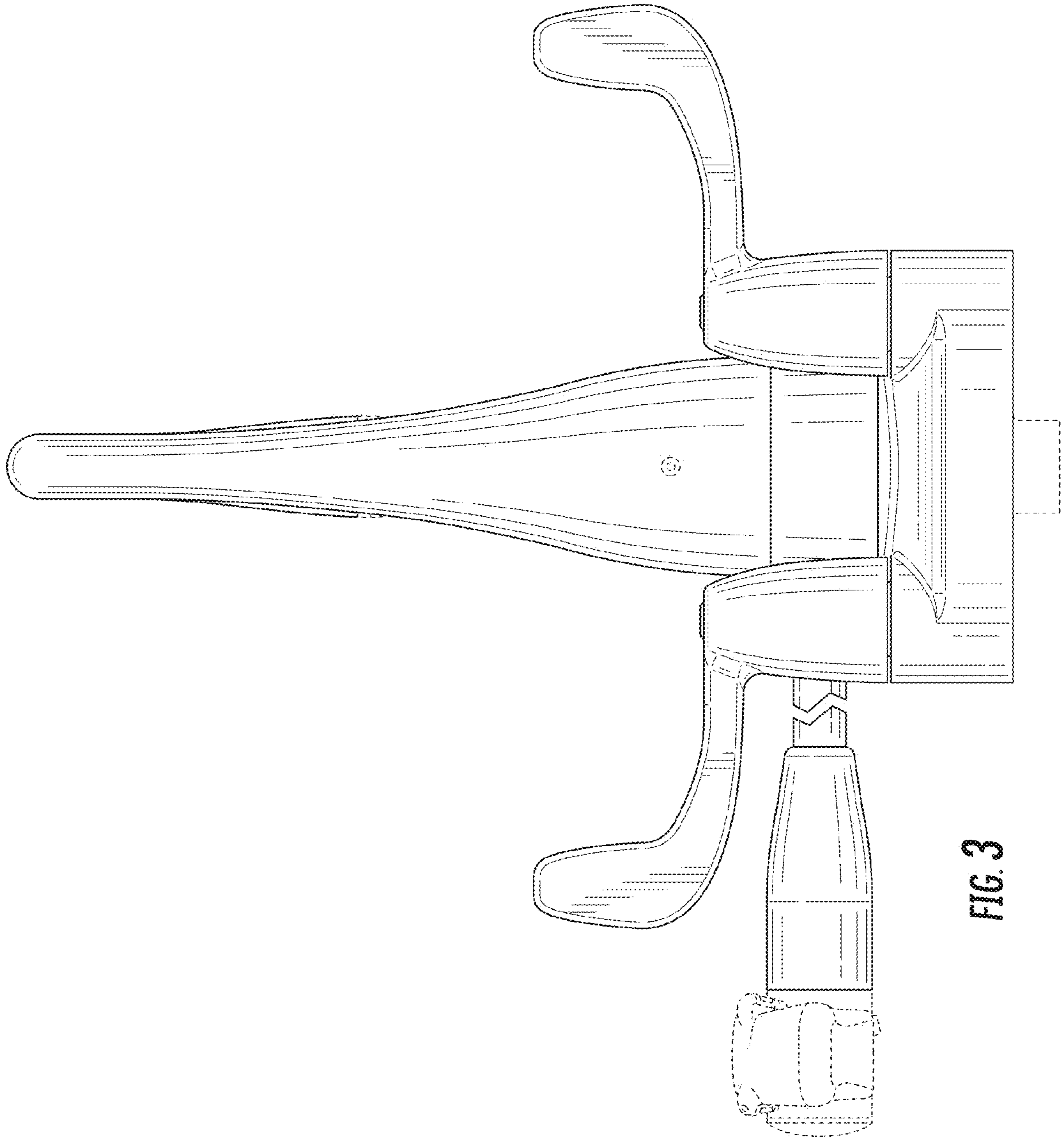


FIG. 3

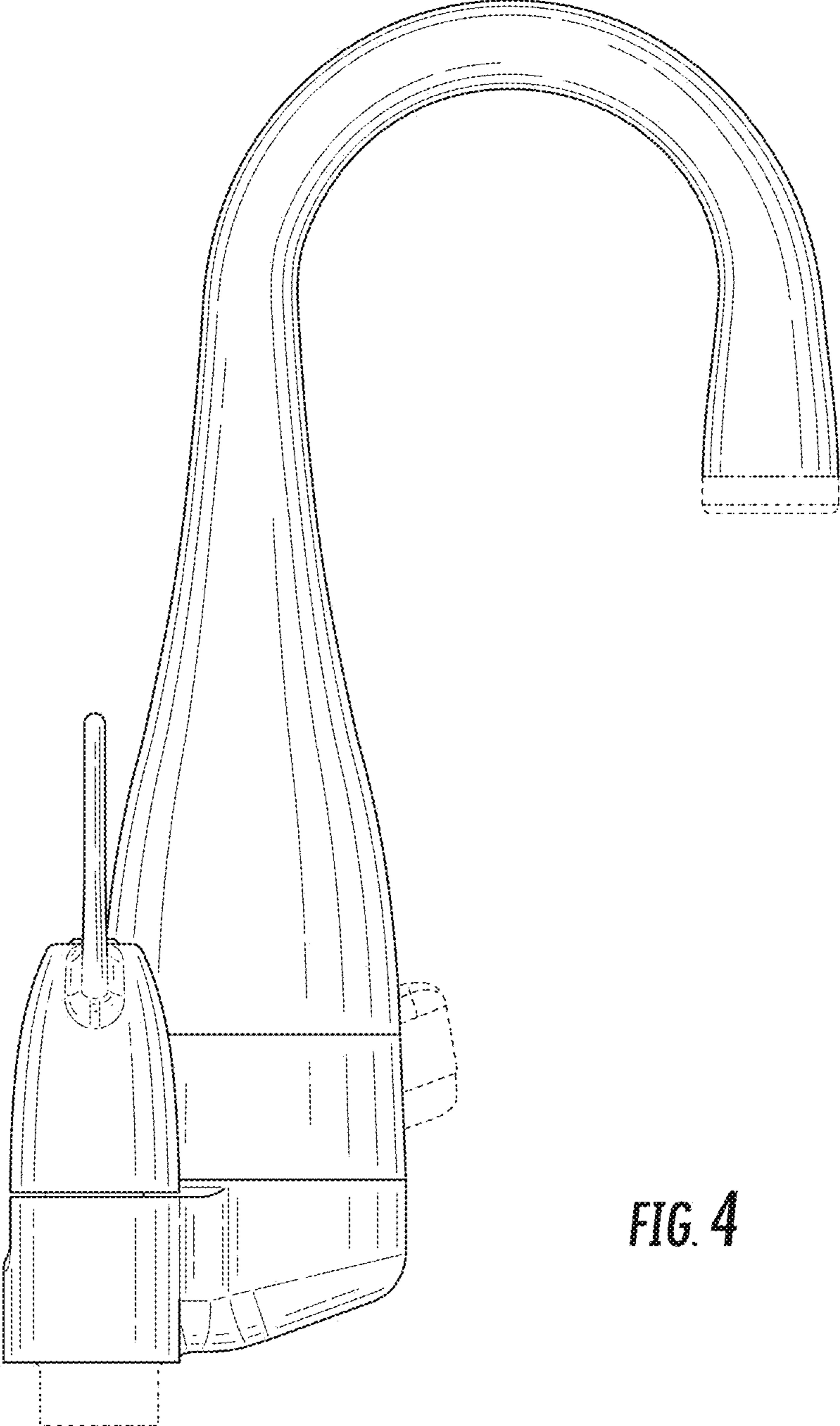


FIG. 4

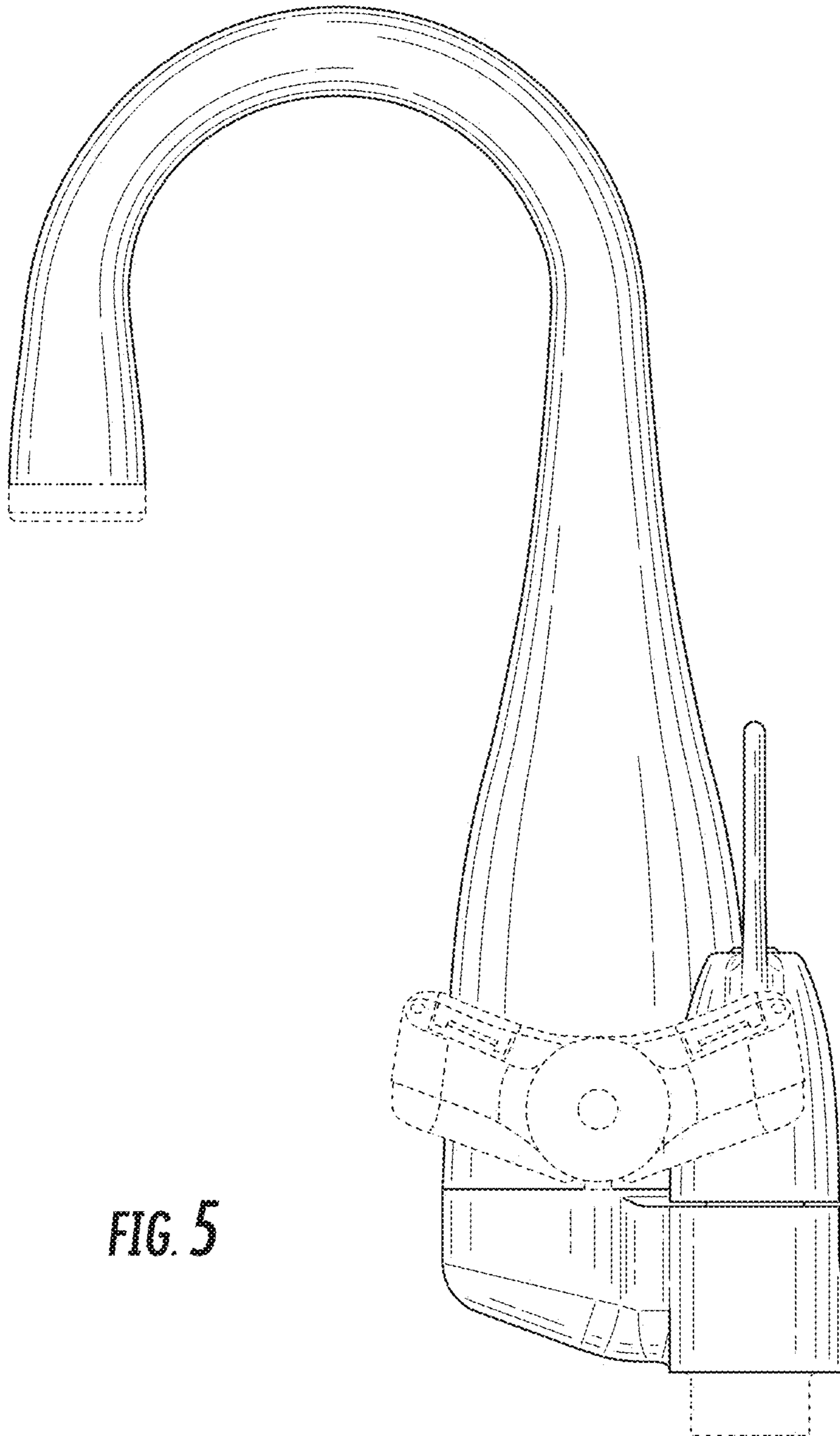


FIG. 5

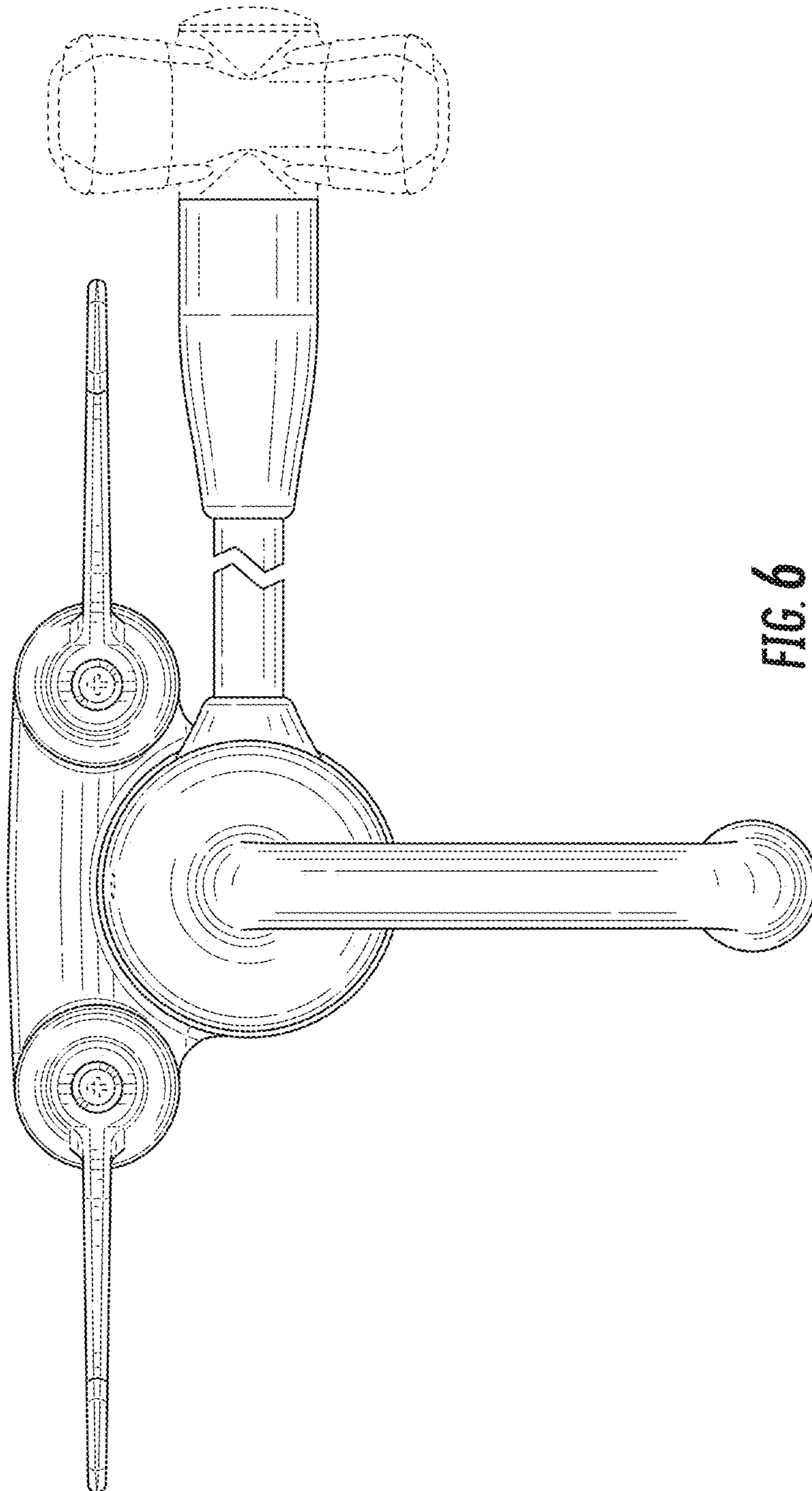


FIG. 6

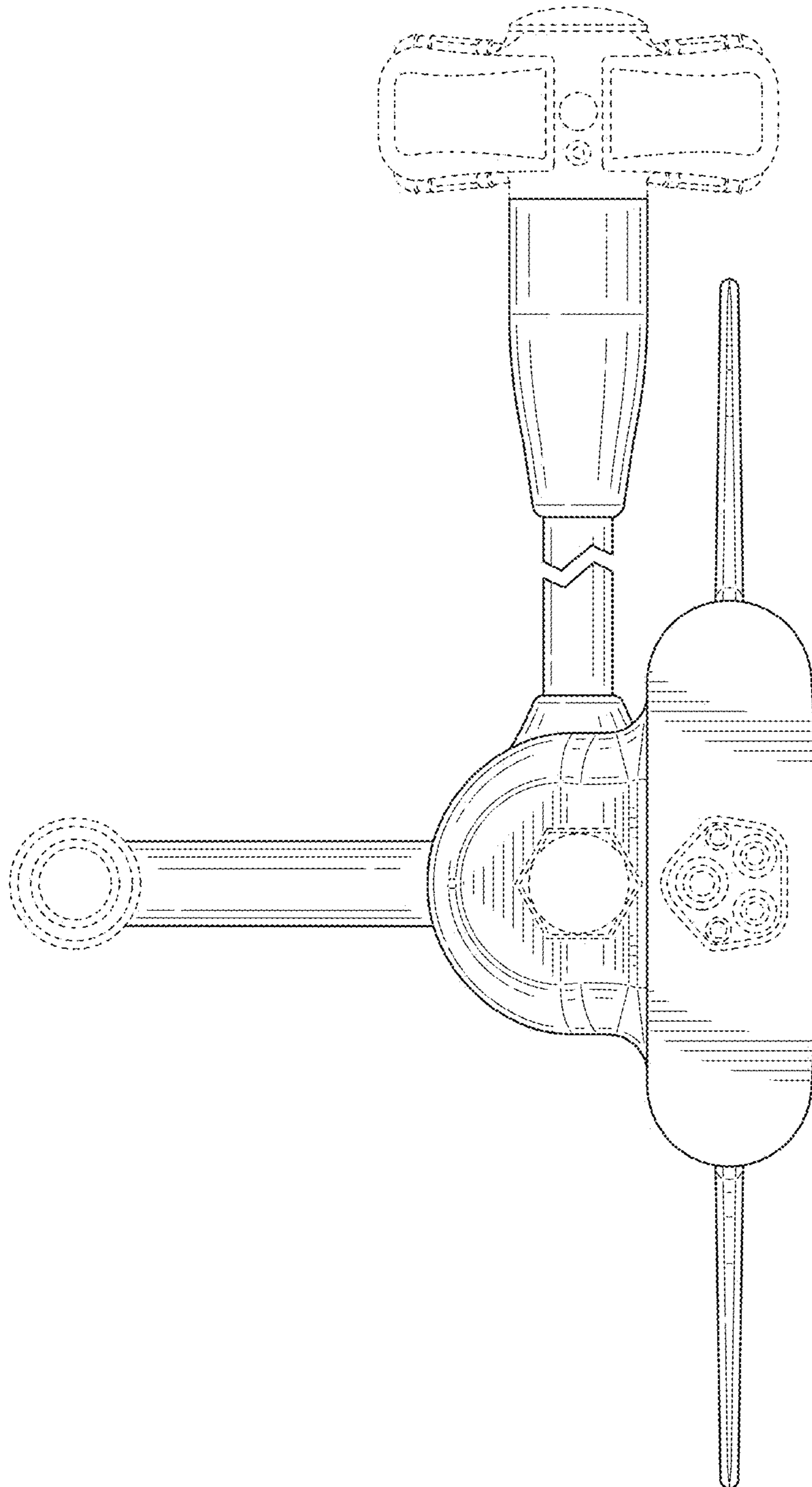


FIG. 7