



US00D912213S

(12) **United States Design Patent**
Kuang

(10) **Patent No.:** **US D912,213 S**
(45) **Date of Patent:** **** Mar. 2, 2021**

- (54) **BATHROOM FAUCET**
- (71) Applicant: **KAIPING LESHI HOUSEHOLD PRODUCTS CO., LTD.**, Kaiping (CN)
- (72) Inventor: **Zicong Kuang**, Kaiping (CN)
- (73) Assignee: **KAIPING LESHI HOUSEHOLD PRODUCTS CO., LTD.**, Kaiping (CN)
- (**) Term: **15 Years**
- (21) Appl. No.: **29/748,995**
- (22) Filed: **Sep. 2, 2020**
- (51) **LOC (13) Cl.** **23-01**
- (52) **U.S. Cl.**
USPC **D23/238**
- (58) **Field of Classification Search**
USPC D23/238, 241–243, 249–250, 252,
D23/254–255, 257; D8/307–308, 352
CPC Y10T 137/9464; Y10T 137/6014; Y10T
137/6017
See application file for complete search history.

- D837,937 S 1/2019 Soulier
- D842,435 S 3/2019 Jiang
- D849,204 S 5/2019 Feng
- D861,137 S * 9/2019 Chen D23/255
- D873,962 S 1/2020 Fang
- D878,524 S 3/2020 Gessi
- D886,956 S 6/2020 Soulier

* cited by examiner

Primary Examiner — Robert A Delehanty
(74) *Attorney, Agent, or Firm* — Law Offices of Steven W. Weinrieb

(57) **CLAIM**

The ornamental design for a bathroom faucet, as shown and described.

DESCRIPTION

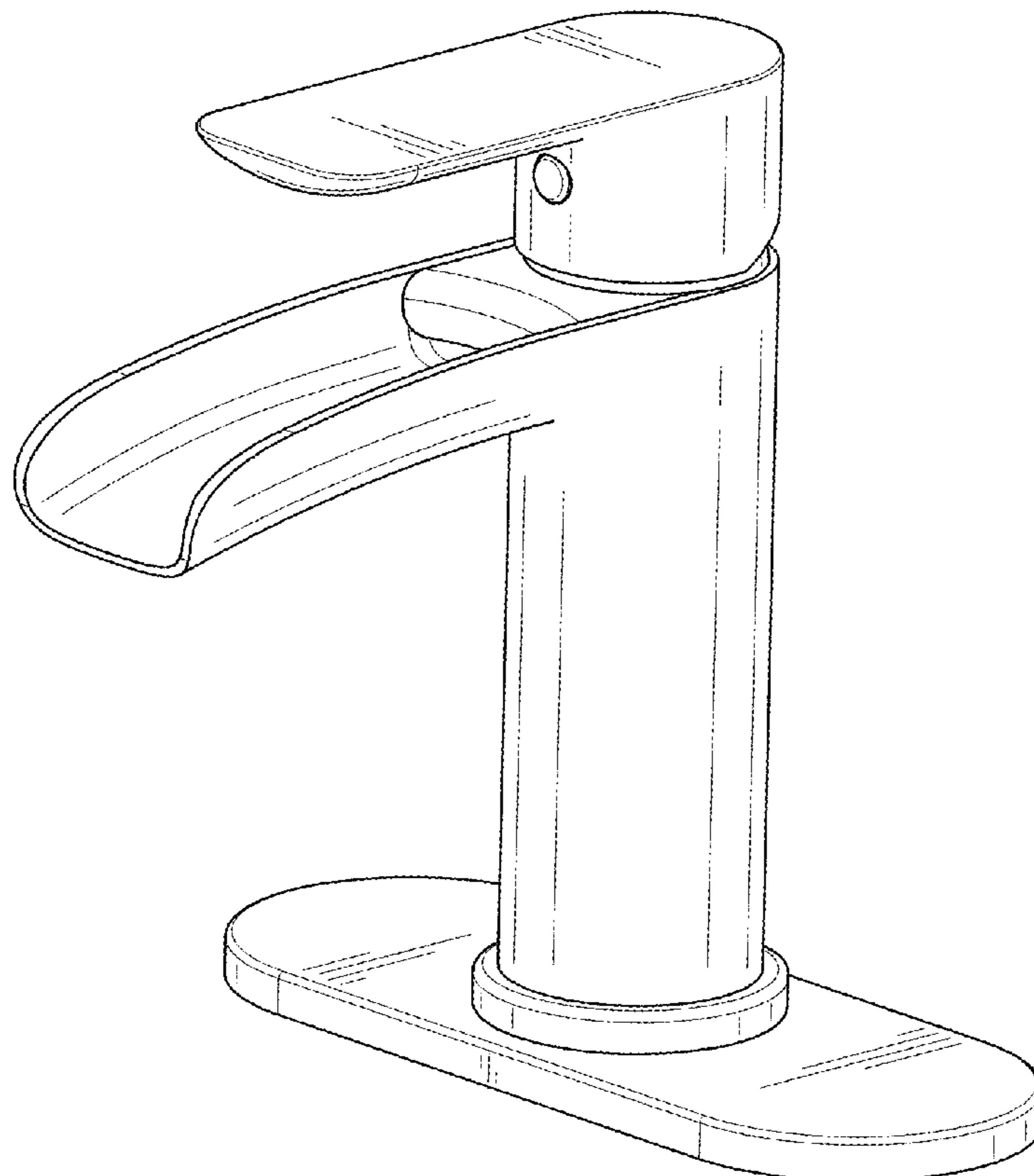
FIG. 1 is a front, right side, top perspective view of a bathroom faucet showing my new design; FIG. 2 is a front elevational view thereof; FIG. 3 is a rear elevational view thereof; FIG. 4 is a left side elevational view thereof; FIG. 5 is a right side elevational view thereof; FIG. 6 is a top plan view thereof; and, FIG. 7 is a bottom plan view thereof. The broken lines depict portions of the bathroom faucet that form no part of the claimed design.

1 Claim, 7 Drawing Sheets

(56) **References Cited**

U.S. PATENT DOCUMENTS

- D260,677 S * 9/1981 Thevenot D23/238
- D684,667 S * 6/2013 Yu D23/238
- D685,060 S * 6/2013 Yu D23/238
- D790,670 S 6/2017 Downey



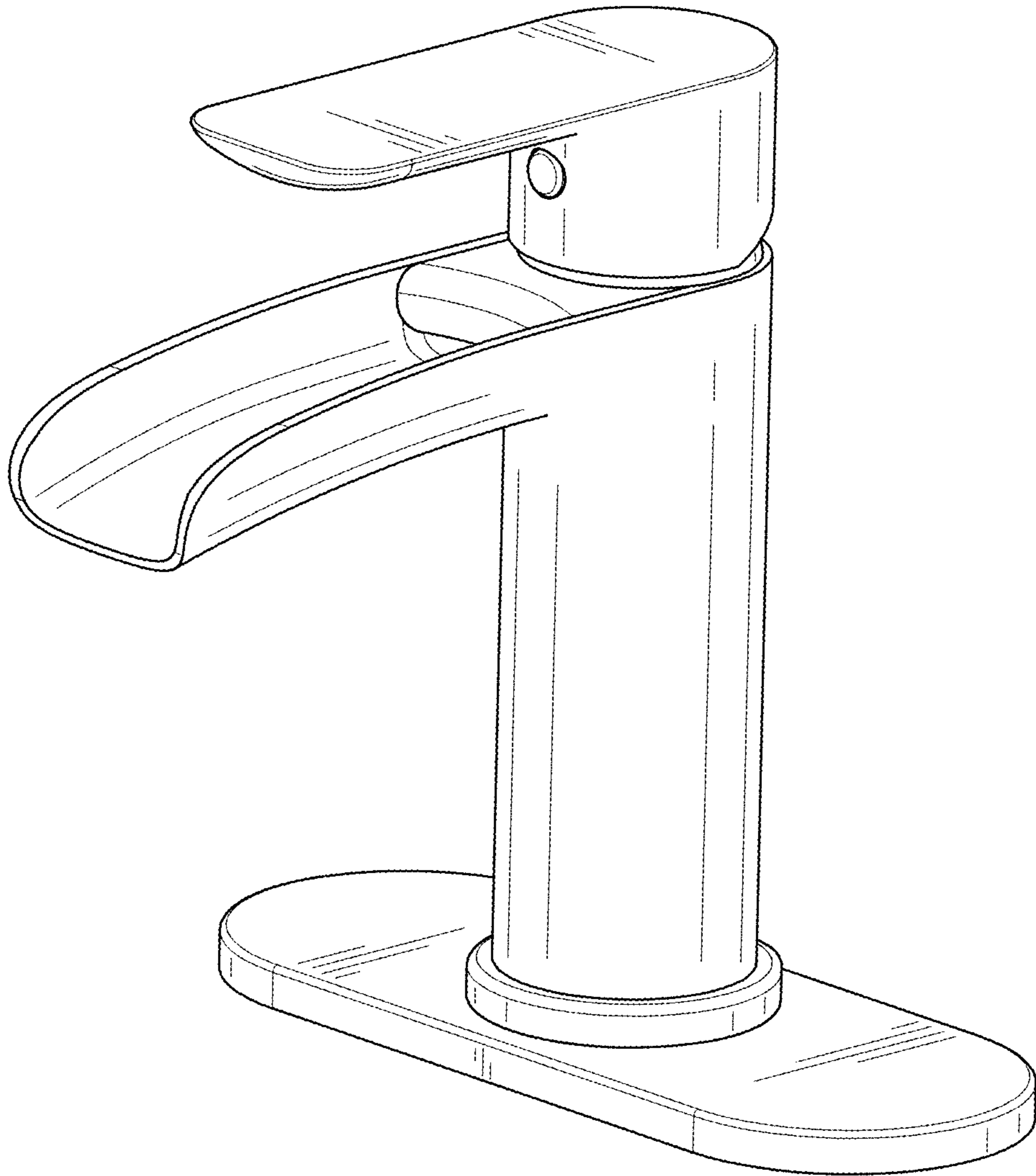


FIG.1

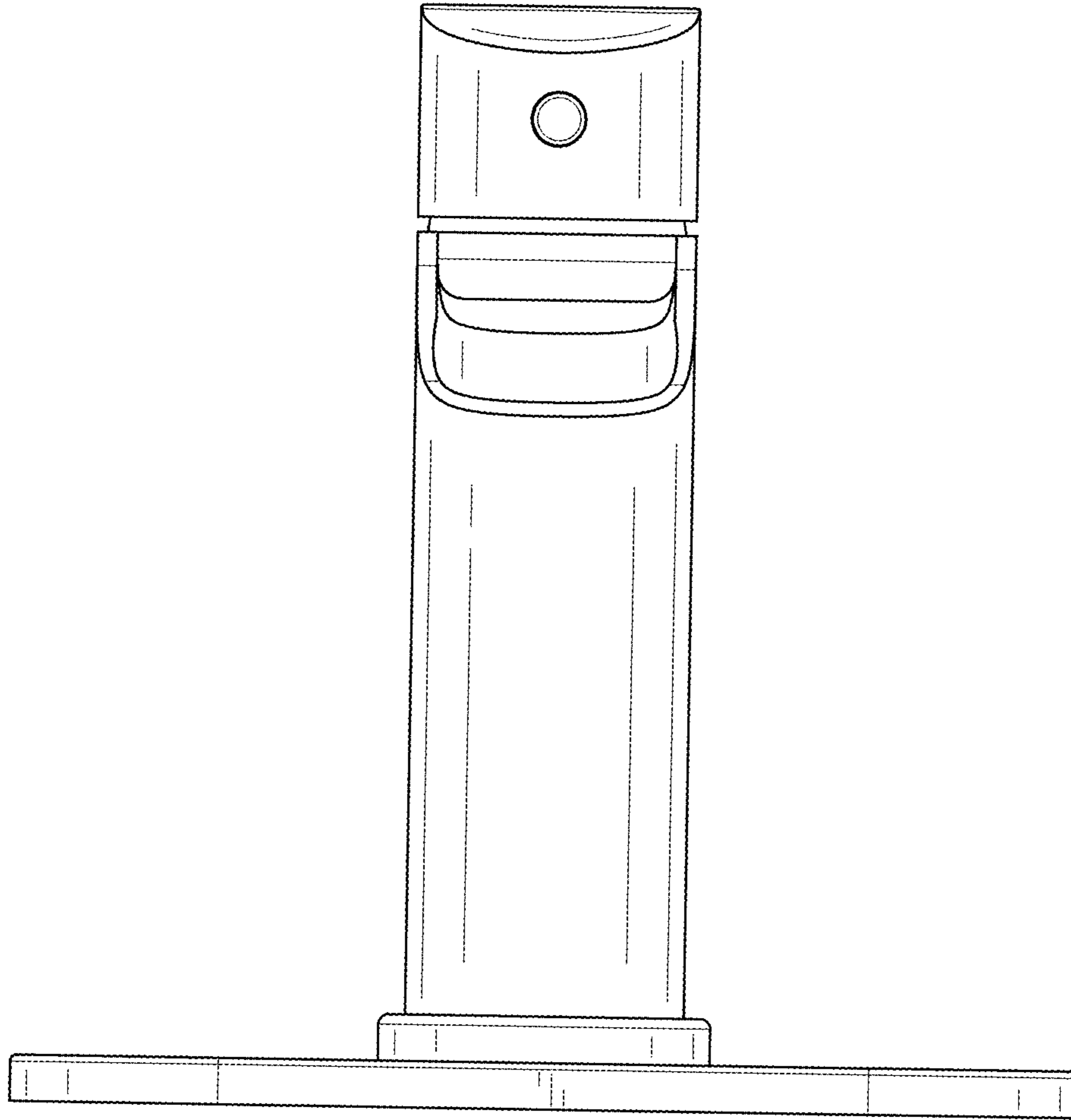


FIG.2

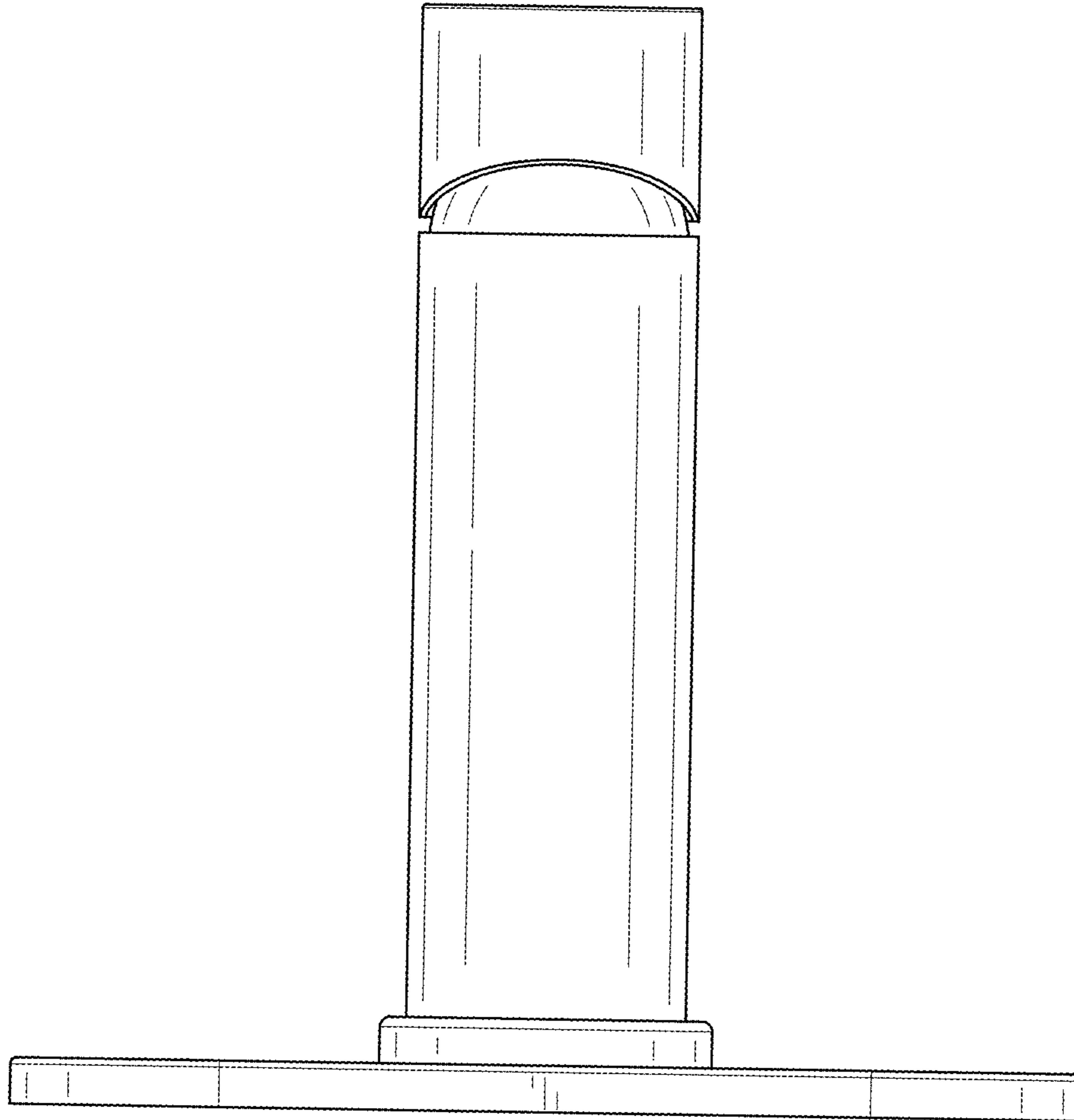


FIG.3

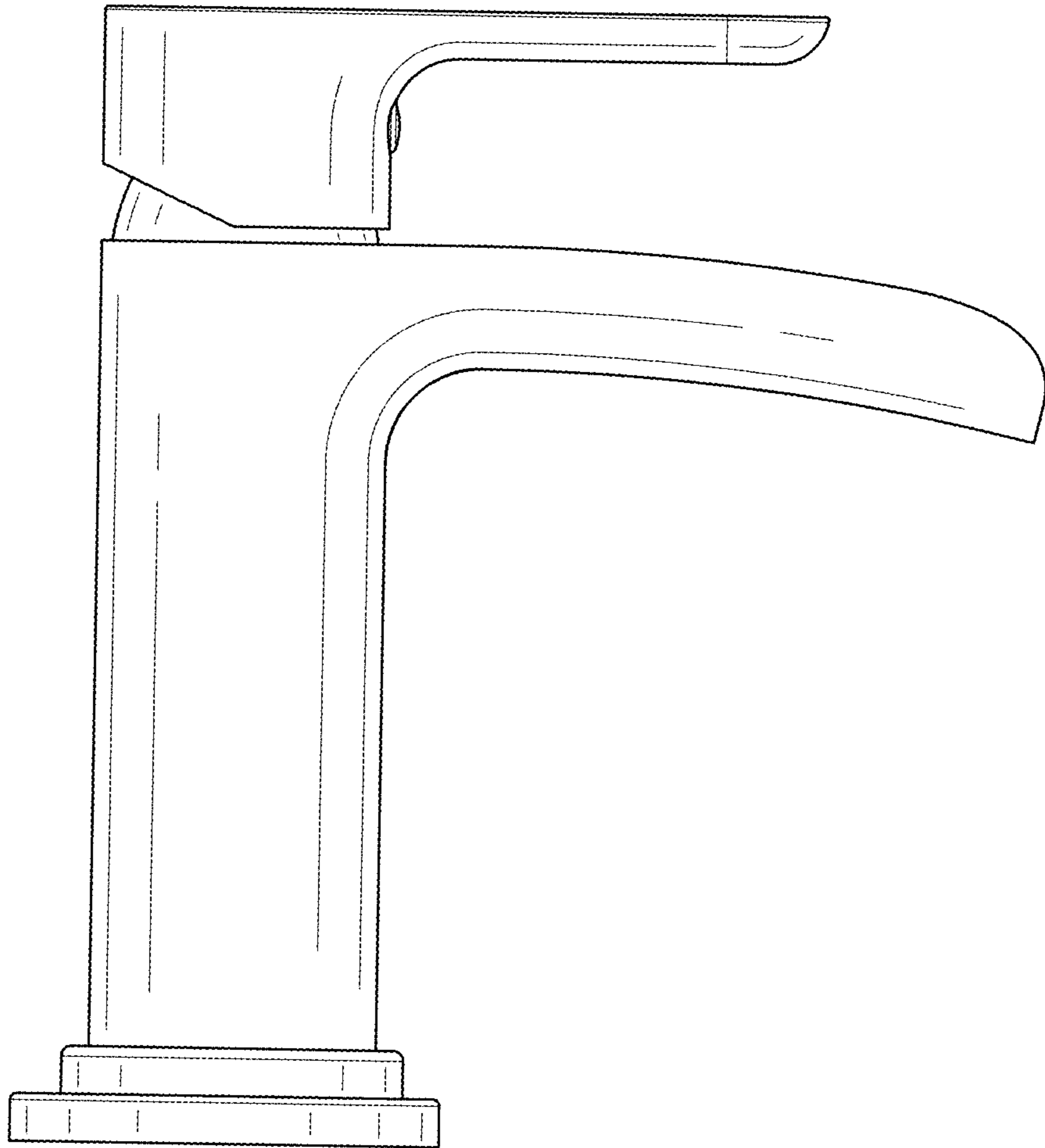


FIG.4

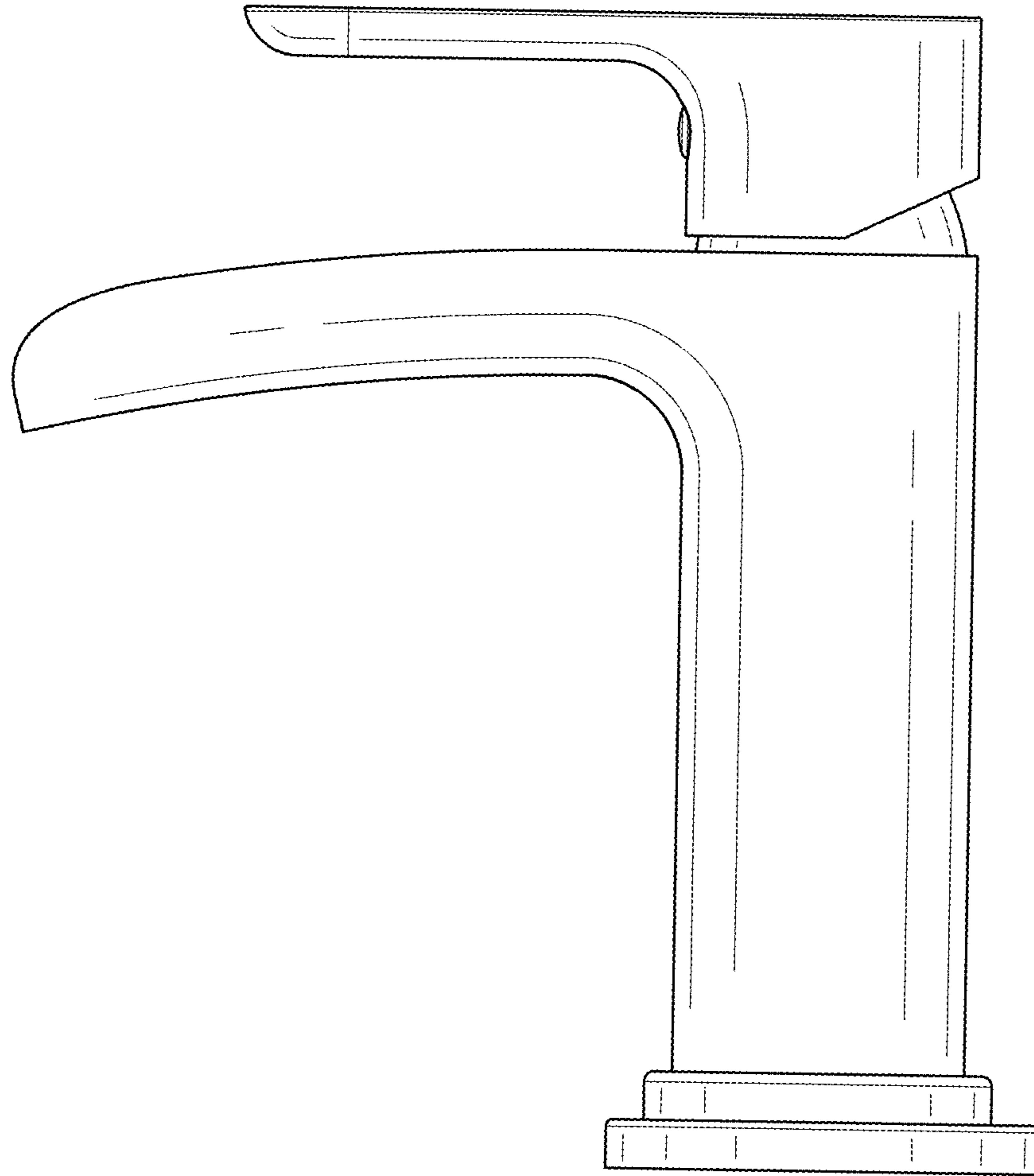


FIG.5

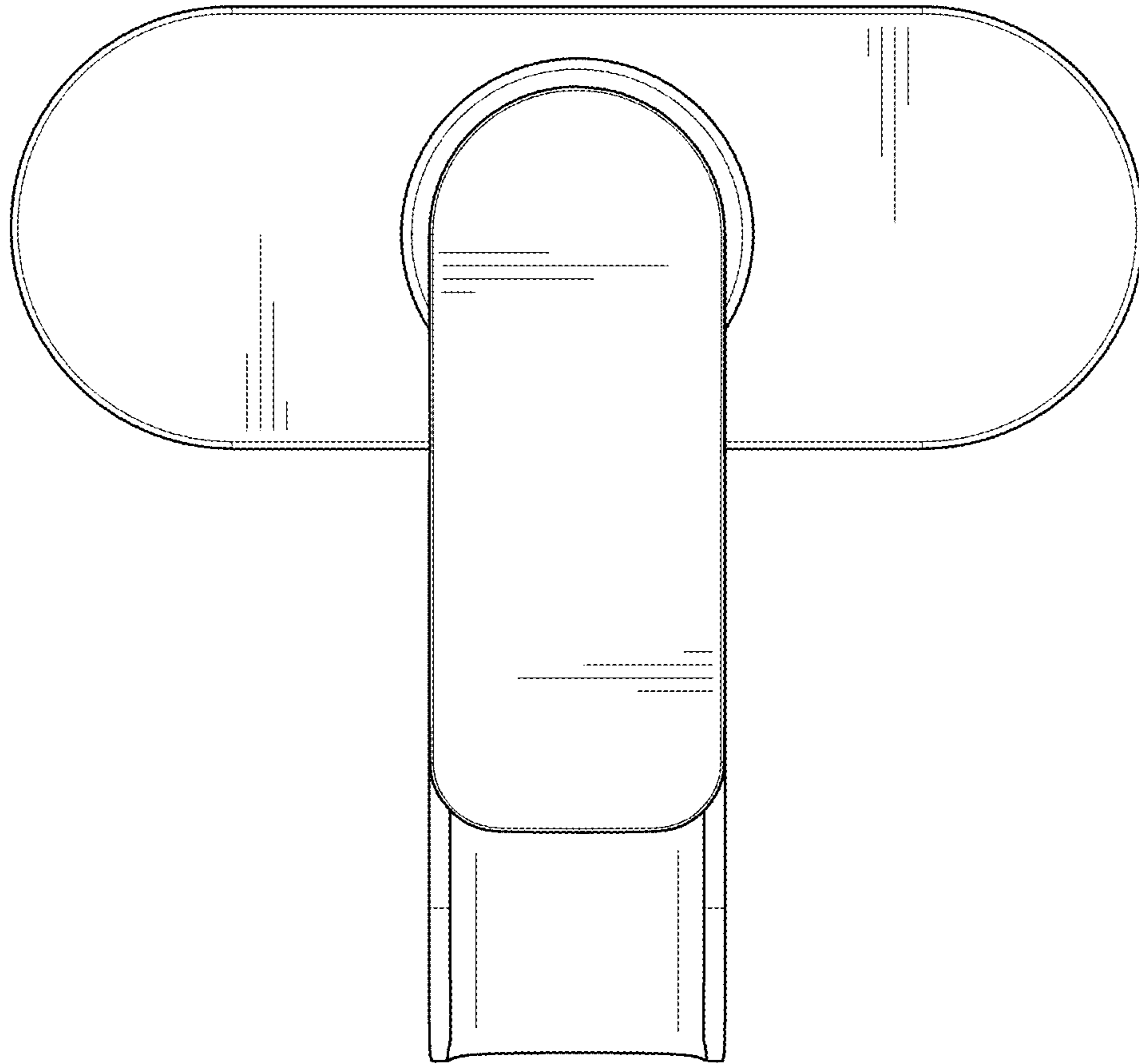


FIG.6

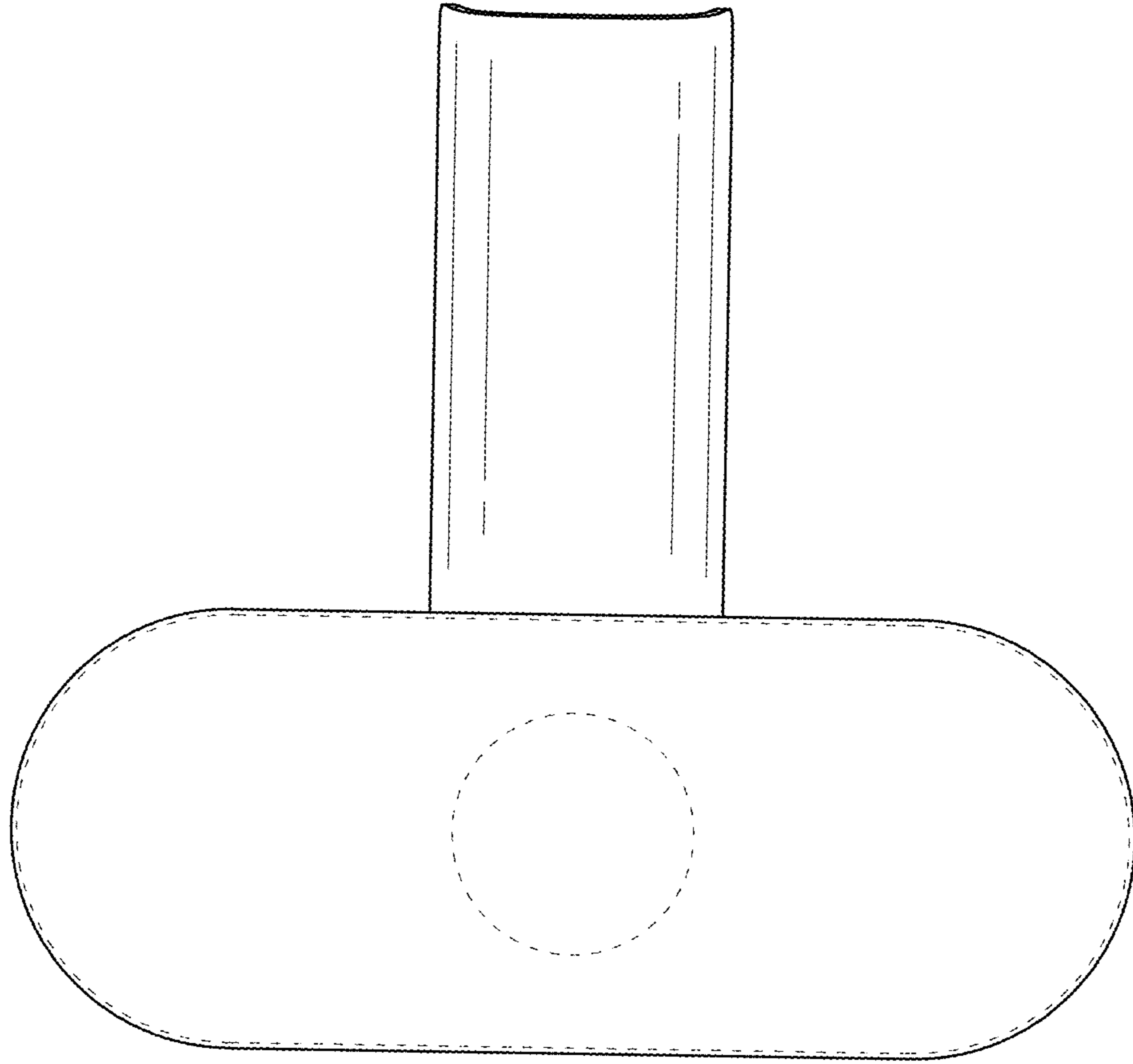


FIG. 7