



US00D912210S

(12) **United States Design Patent** (10) **Patent No.:** **US D912,210 S**  
**Liu** (45) **Date of Patent:** **\*\* Mar. 2, 2021**

(54) **WALL MIXER SET**  
(71) Applicant: **Phoenix Industries Pty Ltd**, Bayswater (AU)

D575,848 S 8/2008 Kirar  
D577,418 S 9/2008 Lammel  
D580,525 S 11/2008 Citterio  
(Continued)

(72) Inventor: **Ban Hsi Liu**, Bayswater (AU)

FOREIGN PATENT DOCUMENTS

(73) Assignee: **Phoenix Industries Pty Ltd.**, Bayswater (AU)

AU 308198 7/2006  
AU 308199 7/2006  
(Continued)

(\*\*) Term: **15 Years**

OTHER PUBLICATIONS

(21) Appl. No.: **29/678,506**

Wall mount, Announced May 13, 2019[online], [site visited Jun. 30, 2020]. Available from internet, URL:<<https://www.amazon.com/Bathroom-Faucets-Vessel-Included-SUMERAIN/dp/B07RRSNW71>> (Year: 2019).\*

(22) Filed: **Jan. 29, 2019**

(Continued)

(30) **Foreign Application Priority Data**

Jul. 30, 2018 (AU) ..... 201814526

(51) **LOC (13) Cl.** ..... **23-01**

(52) **U.S. Cl.**  
USPC ..... **D23/238**

(58) **Field of Classification Search**  
USPC ..... D23/238-242, 254, 255  
See application file for complete search history.

*Primary Examiner* — Barbara Fox  
*Assistant Examiner* — Jamaal Rasheed  
(74) *Attorney, Agent, or Firm* — Womble Bond Dickinson (US) LLP

(56) **References Cited**

(57) **CLAIM**

The ornamental design for a wall mixer set, as shown and described.

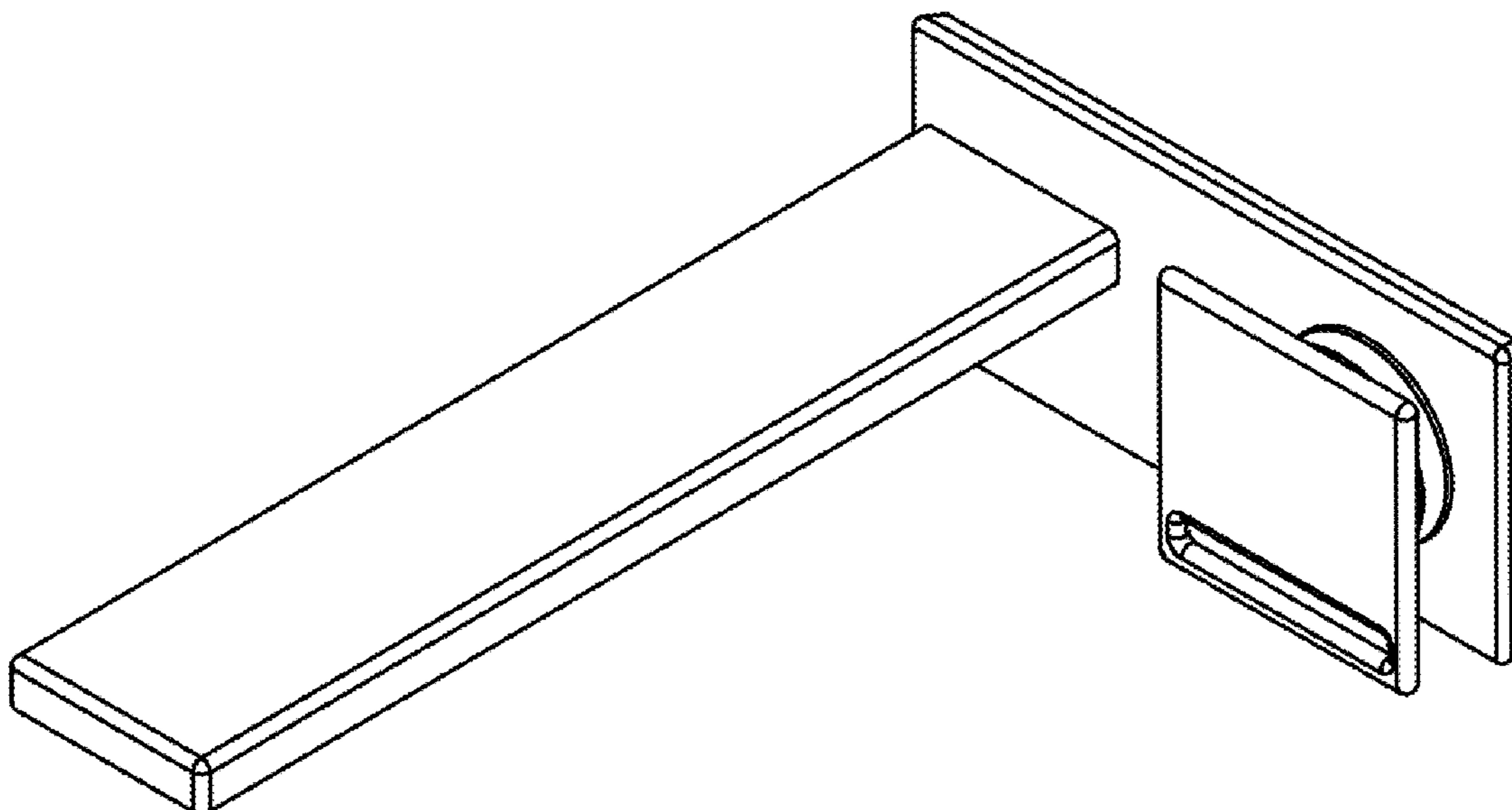
U.S. PATENT DOCUMENTS

**DESCRIPTION**

D441,851 S 5/2001 Starck  
D466,979 S 12/2002 Shulz  
D481,445 S 10/2003 Haug  
D492,011 S 6/2004 Blattner  
D517,169 S 3/2006 Ogata  
D519,617 S 4/2006 Hoernig  
D525,342 S 7/2006 Starck  
D525,346 S 7/2006 Kulig  
D527,807 S 9/2006 Haug  
D529,995 S \* 10/2006 Smith ..... D23/238  
D532,866 S 11/2006 Kirar  
D533,924 S 12/2006 Kirar  
D548,308 S 8/2007 Hoernig

FIG. 1 is a perspective view of a wall mixer set according to my new design;  
FIG. 2 is a left side view thereof;  
FIG. 3 is a right side view thereof;  
FIG. 4 is a bottom view thereof;  
FIG. 5 is a top view thereof; and,  
FIG. 6 is a front view thereof.  
The evenly-spaced broken lines in the figures represent portions of the wall mixer set that form no part of the claimed design.

**1 Claim, 2 Drawing Sheets**



(56)

References Cited

U.S. PATENT DOCUMENTS

D582,009 S 12/2008 Citterio  
 D596,711 S 7/2009 Sieger  
 D601,229 S 9/2009 Schoenherr et al.  
 D607,542 S 1/2010 Flowers  
 D617,425 S 6/2010 Lammel  
 D618,765 S 6/2010 Wang  
 D635,221 S 3/2011 Rubin  
 D636,065 S \* 4/2011 Schoenherr ..... D23/255  
 D641,072 S 7/2011 Flowers  
 D645,938 S 9/2011 Ando  
 D647,176 S 10/2011 Liao  
 D647,179 S 10/2011 Flowers  
 D647,601 S 10/2011 Liao  
 D648,422 S 11/2011 Liao  
 D659,167 S 5/2012 Cocks  
 D662,181 S 6/2012 Thun  
 D665,479 S 8/2012 Cocks  
 D685,878 S 7/2013 Fritz  
 D689,170 S 9/2013 Sieger  
 D689,987 S 9/2013 Kington  
 D693,904 S 11/2013 Hahn  
 D697,588 S 1/2014 Schoenherr  
 D704,304 S \* 5/2014 Schoenherr ..... D23/238  
 D705,397 S 5/2014 Gessi  
 D708,709 S 7/2014 Yu  
 D708,714 S 7/2014 Georgeson  
 D713,941 S 9/2014 Hundley  
 D737,936 S 9/2015 Pony  
 D739,501 S 9/2015 Flowers  
 D740,395 S 10/2015 Flowers  
 D757,223 S 5/2016 Schoenherr  
 D757,225 S 5/2016 Schoenherr  
 D757,903 S 5/2016 Schoenherr  
 D760,360 S 6/2016 Kawakami  
 D767,721 S 9/2016 Yoshioka  
 D767,733 S 9/2016 Hong  
 D782,013 S 3/2017 Eads  
 D787,020 S 5/2017 Ziemann  
 D791,919 S \* 7/2017 Schoenherr ..... D23/238  
 D796,636 S 9/2017 Downey  
 D799,641 S 10/2017 Sieger  
 D799,642 S 10/2017 Sieger  
 D800,274 S 10/2017 Andrew  
 D802,101 S 11/2017 Kirar  
 D803,356 S 11/2017 Lucchese  
 D809,103 S 1/2018 Schoenherr  
 D809,104 S 1/2018 Schoenherr  
 D809,107 S 1/2018 Schoenherr  
 D810,238 S \* 2/2018 Schoenherr ..... D23/238  
 D810,244 S 2/2018 Schoenherr et al.  
 D810,890 S 2/2018 Takayama  
 D811,528 S \* 2/2018 Schoenherr ..... D23/238  
 D811,531 S 2/2018 Schoenherr  
 D813,986 S 3/2018 Schoenherr  
 D813,988 S 3/2018 Schoenherr  
 D817,452 S 5/2018 Ravassa  
 D819,181 S 5/2018 Citterio  
 D822,798 S 7/2018 Sieger  
 D828,511 S 9/2018 Liu et al.  
 D828,512 S 9/2018 Liu et al.  
 D828,515 S \* 9/2018 Seum ..... D23/242  
 D828,516 S 9/2018 Liu et al.  
 D828,909 S 9/2018 Liu et al.  
 D830,515 S 10/2018 L'Henaff  
 D831,164 S 10/2018 Garuti  
 D834,683 S \* 11/2018 Schoenherr ..... D23/238  
 D837,941 S 1/2019 L'Henaff  
 D838,346 S \* 1/2019 Soulier ..... D23/238  
 D839,997 S 2/2019 Cummings  
 D846,077 S 4/2019 Liu  
 D846,079 S 4/2019 Garland  
 D846,698 S 4/2019 L'Henaff  
 D846,699 S 4/2019 L'Henaff  
 D846,700 S 4/2019 L'Henaff  
 D846,701 S 4/2019 Liu

D846,702 S 4/2019 Liu  
 D855,762 S 8/2019 Stuart  
 D855,769 S 8/2019 Eads  
 D856,490 S 8/2019 Seum  
 D859,585 S 9/2019 Seum  
 D859,588 S 9/2019 Meyers  
 D859,593 S 9/2019 Pan  
 D859,602 S 9/2019 Bahler  
 D860,397 S 9/2019 Diefenbach  
 D860,406 S 9/2019 Vish  
 D861,831 S 10/2019 Liao  
 D865,132 S 10/2019 Hoogendoorn et al.  
 D865,133 S 10/2019 Hoogendoorn et al.  
 D866,715 S \* 11/2019 Hoogendoorn ..... D23/238  
 D873,963 S 1/2020 Liu  
 D883,437 S 5/2020 Massaud  
 D883,448 S 5/2020 Massaud  
 10,683,646 B2 6/2020 Pei  
 2013/0167953 A1 7/2013 Kuroishi  
 2016/0024762 A1 1/2016 Hsu  
 2016/0265201 A1 9/2016 Hoogendoorn et al.  
 2017/0044746 A1 2/2017 Lee  
 2017/0107704 A1 4/2017 Wang  
 2018/0298595 A1 10/2018 Eads

FOREIGN PATENT DOCUMENTS

AU 308201 7/2006  
 AU 308202 7/2006  
 AU 314560 6/2007  
 AU 314563 6/2007  
 AU 321286 10/2008  
 AU 328364 11/2009  
 AU 328365 11/2009  
 AU 334096 12/2010  
 AU 336356 5/2011  
 AU 336357 5/2011  
 AU 337781 7/2011  
 AU 337782 7/2011  
 AU 344493 9/2012  
 AU 344494 9/2012  
 AU 350490 8/2013  
 AU 355991 6/2014  
 AU 355992 6/2014  
 AU 355993 6/2014  
 AU 355994 6/2014  
 AU 357542 9/2014  
 AU 357840 9/2014  
 AU 357842 9/2014  
 AU 357843 9/2014  
 CN 303170196 10/2014  
 CN 303618410 9/2015  
 CN 303648976 9/2015  
 CN 304019300 3/2016  
 CN 305204509 \* 7/2018  
 EM 000763834-0003 7/2007  
 EM 001284699-0075 7/2011  
 EM 111284699-0084 7/2011  
 EM 001949736-0010 11/2011  
 EM 002260737-0006 6/2013  
 IN 230722-0001 2/2010  
 IN 242889-001 2/2012  
 TR 652724-0001 7/2013

OTHER PUBLICATIONS

Wall mount, Announced May 13, 2019[online], [site visited Jun. 30, 2019]. Available from internet, URL:<<https://www.amazon.com/Bathroom-Faucets-Vessel-Included-SUMERAIN/dp/B07RRSNW71>> (Year: 2019).\*

Shower/wall mixer, announced Date unavailable[online], [site visited Jun. 30, 2019]. Available from internet, URL:<<https://www.phoenixtapware.com.au/products/zimi-shower-wall-mixer-base-only-6312>> (Year: 2020).\*

TOI Basin Mixer, Phoenix Tapware, Showers & Accessories, <http://www.phoenixtapware.com.au/products/toi-basin-mixer>, known at least as early as Oct. 25, 2016, 3 pgs.

(56)

**References Cited**

OTHER PUBLICATIONS

TOI Wall Basin/Bath Mixer Set, <http://www.phoenixtapware.com.au/toi-wall-basin-mixer-set180mm>, known at least as early as Oct. 25, 2016, 3 pgs.

TOI Sink Mixer Squareline, Phoenix Tapware, Showers & Accessories, <http://www.phoenixtapware.com.au/toi-sink-mixer-180mm-squareline>, known at least as early as Oct. 25, 2016, 3 pgs.

amazon.com; Single Hole Bathroom Faucet, <https://www.amazon.com/Faucet-Single-Handle-Bathroom-Assembly-567LF-PP/dp/B00P8A6AME>, Nov. 4, 2014.

amazon.com; Bathroom Sink Faucet, <https://www.amazon.com/EZANDA-Single-Bathroom-Escutcheon-Stopper/dp/B07FSLSZLT>, Jul. 23, 2018.

amazon.com; Bathroom Sink Faucet, <https://www.amazon.com/Moen-6702-High-Arc-Single-Handle-Bathroom/dp/B01ITB6WL2>, Jul. 21, 2016.

amazon.com; Sink Wall Faucet, <https://www.amazon.com/ZUKKI-Copper-Single-Handle-Bathroom-2314-07A/dp/B07K71TVN4>, Nov. 6, 2018.

amazon.com; Wall mount, <https://www.amazon.com/Bathroom-Faucets-Vessel-Included-SUMERAIN/dp/B07RRSNW71>, May 13, 2019.

amazon.com; Wall Mounted Tub Filler, <http://www.amazon.com/KunMai-Square-Mounted-Filler-Finish/dp/B07BKV32PZ>, Mar. 20, 2018.

amazon.com; Shower arm, <https://www.amazon.com/EMBATEHR-Extension-Universal-Wall-Mounted-Showerhead/dp/B07DYM9FHQ>, Jun. 22, 2018.

amazon.com; Basin Mixer Tap, <https://www.amazon.com/ZUKKI-Copper-Bathroom-Mounted-3015-07A/dp/B07K2WP8Q4>, Nov. 18, 2019.

\* cited by examiner

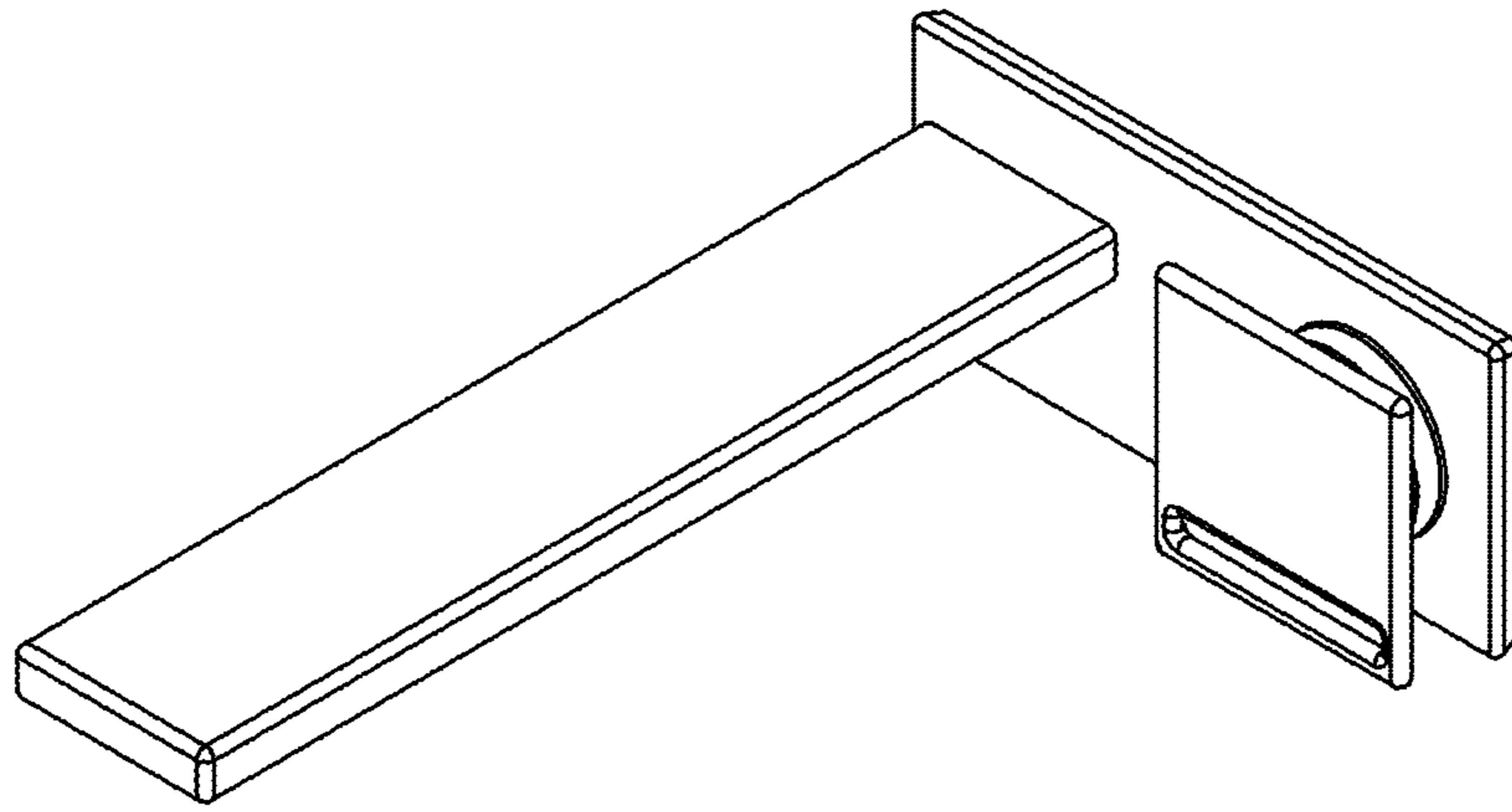


FIG. 1

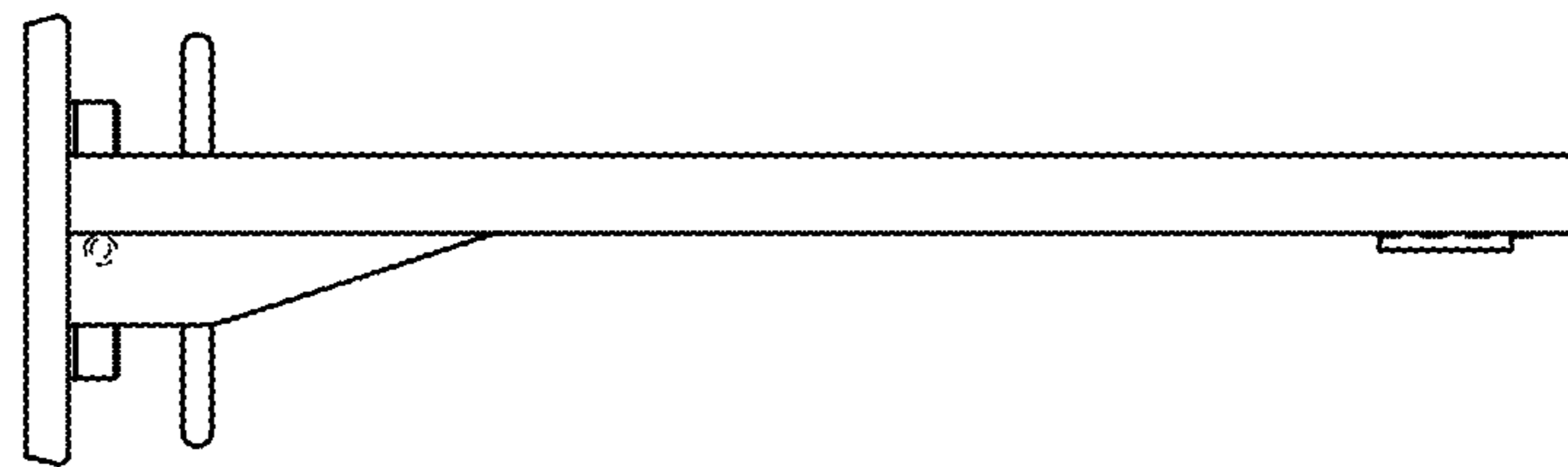


FIG. 2

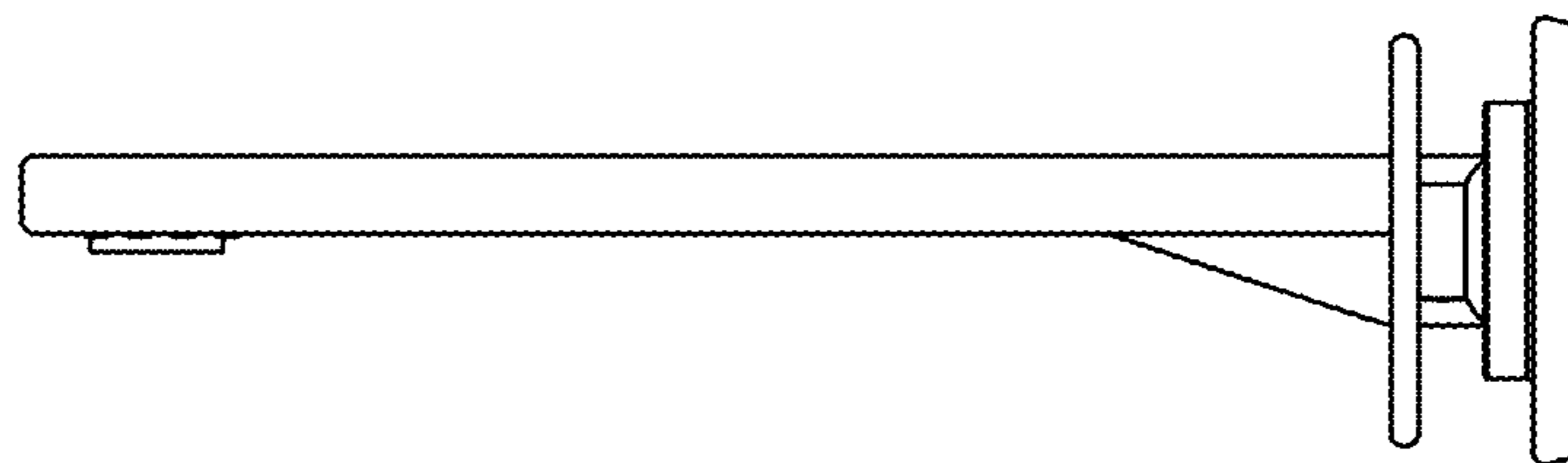


FIG. 3

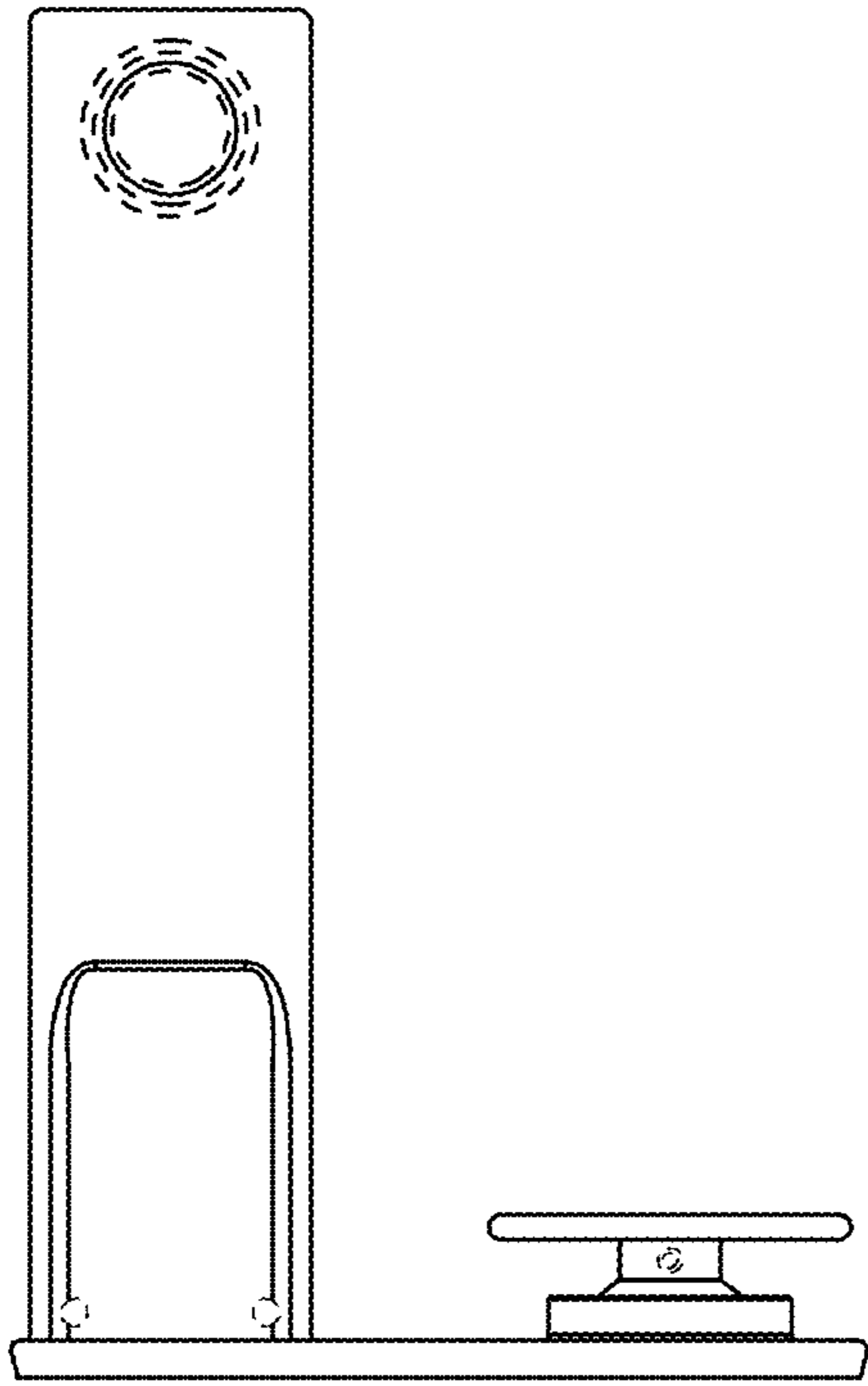


FIG. 4

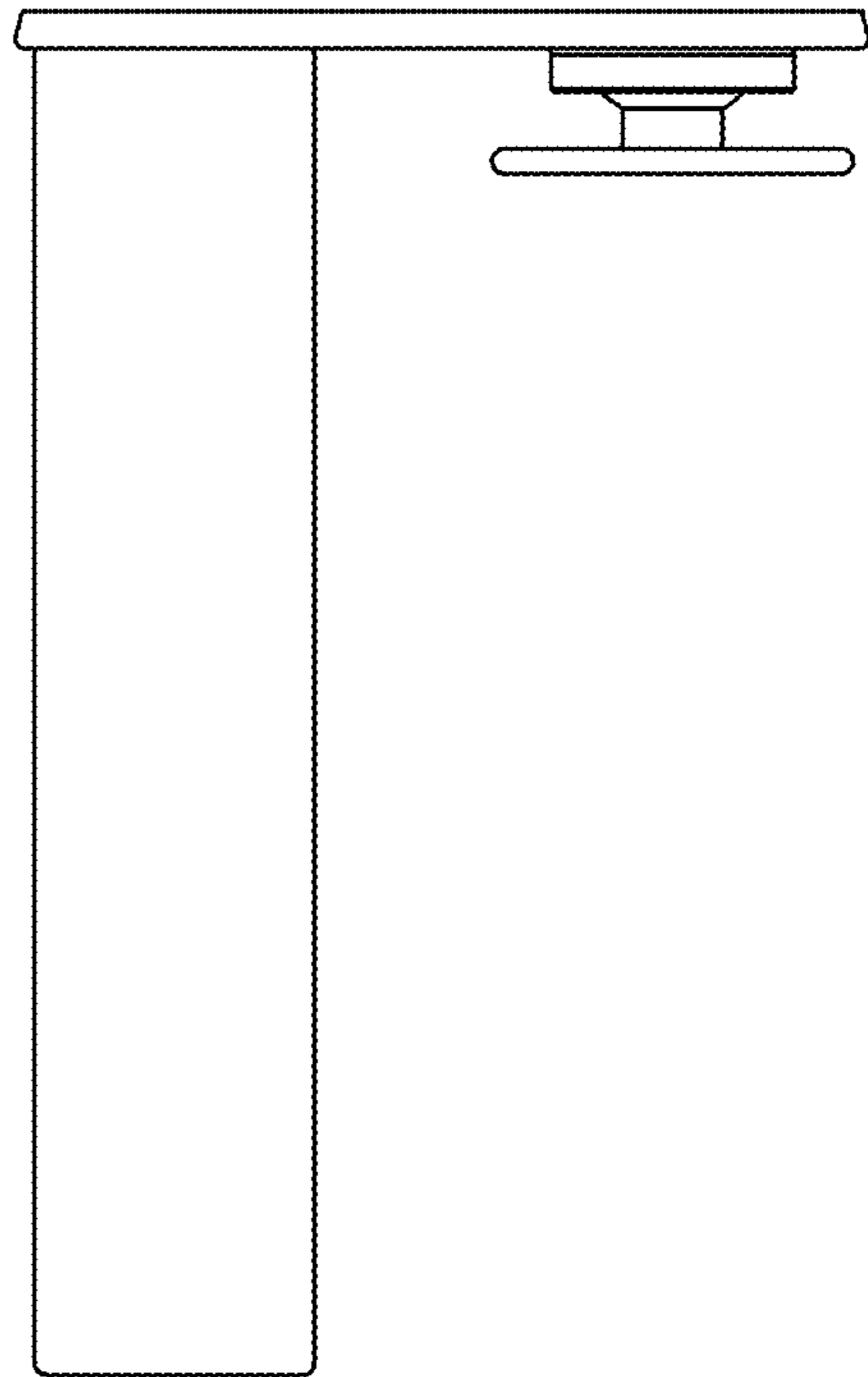


FIG. 5

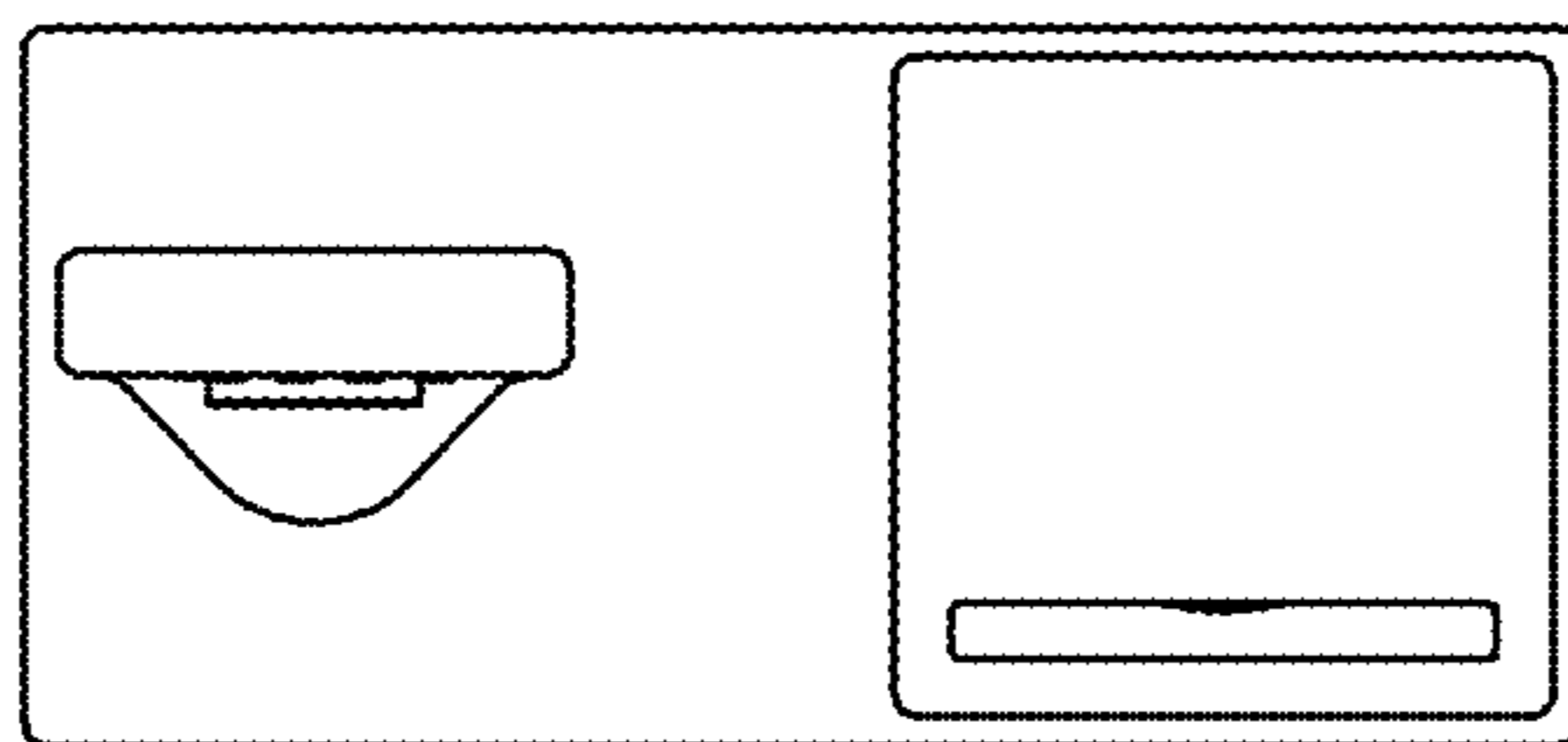


FIG. 6