



US00D912208S

(12) **United States Design Patent** (10) **Patent No.:** **US D912,208 S**  
**Soulier et al.** (45) **Date of Patent:** **\*\* Mar. 2, 2021**

(54) **FAUCET**  
(71) Applicant: **Kohler Co.**, Kohler, WI (US)  
(72) Inventors: **Jean-Hugues Soulier**, Paris (FR);  
**Ferran Serra Sola**, Paris (FR)  
(73) Assignee: **KOHLER CO.**, Kohler, WI (US)  
(\*\*) Term: **15 Years**  
(21) Appl. No.: **29/638,370**  
(22) Filed: **Feb. 27, 2018**  
(51) **LOC (13) Cl.** ..... **23-01**  
(52) **U.S. Cl.**  
USPC ..... **D23/238**  
(58) **Field of Classification Search**  
USPC ..... D23/238-241, 250, 252-254;  
D8/307-308  
CPC ..... Y10T 137/9464; Y10T 137/6014; Y10T  
137/6017  
See application file for complete search history.

(56) **References Cited**  
**U.S. PATENT DOCUMENTS**  
318,320 A 5/1885 Strickland  
347,264 A 8/1886 Cuvier et al.  
435,919 A 9/1890 Congdon  
479,580 A 7/1892 Achor  
584,799 A 6/1897 Thompson  
617,877 A 1/1899 Elmo  
647,176 A 4/1900 Cameron  
647,599 A 4/1900 Frechette  
677,364 A 7/1901 Moore  
819,184 A 5/1906 Thornton  
833,579 A 10/1906 Chmeleff  
D235,125 S \* 5/1975 Schlachter ..... D8/370  
D253,607 S \* 12/1979 Haug ..... D23/238  
D260,234 S \* 8/1981 Johnson, Jr. .... D8/370  
D266,452 S 10/1982 Fleischmann et al.

D291,232 S \* 8/1987 Haug ..... D23/238  
D291,238 S \* 8/1987 Haug ..... D23/252  
D291,239 S \* 8/1987 Haug ..... D23/252  
D304,225 S \* 10/1989 Lathrop ..... D23/257  
D354,798 S \* 1/1995 Mark ..... D23/252  
D513,060 S \* 12/2005 Ouyoung ..... D23/238  
D531,267 S 10/2006 Hundley  
D535,360 S \* 1/2007 Noth ..... D23/238

(Continued)

*Primary Examiner* — Robert A Delehanty  
(74) *Attorney, Agent, or Firm* — Foley & Lardner LLP

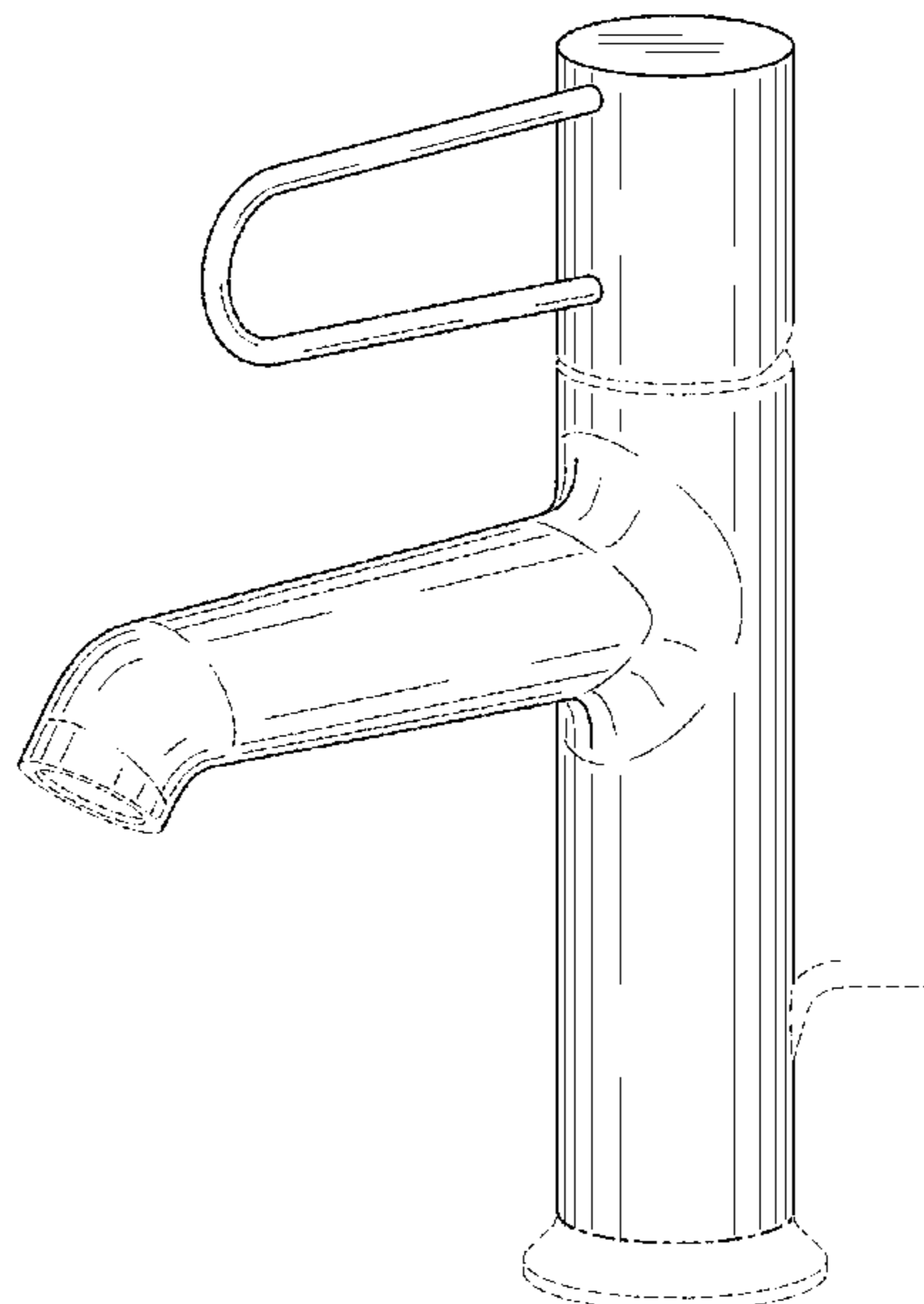
(57) **CLAIM**

We claim the ornamental design for a faucet, as shown and described.

**DESCRIPTION**

FIG. 1 is a perspective view of an embodiment of the claimed design;  
FIG. 2 is a front view of the embodiment of FIG. 1;  
FIG. 3 is a rear view of the embodiment of FIG. 1;  
FIG. 4 is a side view of the embodiment of FIG. 1;  
FIG. 5 is another side view of the embodiment of FIG. 1;  
FIG. 6 is a top view of the embodiment of FIG. 1;  
FIG. 7 is a bottom view of the embodiment of FIG. 1;  
FIG. 8 is a perspective view of another embodiment of the claimed design;  
FIG. 9 is a front view of the embodiment of FIG. 8;  
FIG. 10 is a rear view of the embodiment of FIG. 8;  
FIG. 11 is a side view of the embodiment of FIG. 8;  
FIG. 12 is another side view of the embodiment of FIG. 8;  
FIG. 13 is a top view of the embodiment of FIG. 8; and,  
FIG. 14 is a bottom view of the embodiment of FIG. 8.  
The ornamental design which is claimed is shown in solid lines in the drawings: The broken lines in the drawings are for illustrative purposes only and form no part of the claimed design. Broken lines formed of unequal length dashes (i.e., dash-dot) define bounds of the claimed design.

**1 Claim, 10 Drawing Sheets**



(56)

**References Cited**

U.S. PATENT DOCUMENTS

D555,771 S	*	11/2007	Noth .....	D23/238
D579,520 S		10/2008	Chenesseau	
D623,275 S		9/2010	Rubin et al.	
D636,062 S		4/2011	Rubin et al.	
D654,389 S	*	2/2012	Gordon .....	D11/2
D677,365 S		3/2013	Schoenherr	
D760,065 S	*	6/2016	Kuehn .....	D8/354
D802,100 S		11/2017	Kirar et al.	
D802,101 S		11/2017	Kirar et al.	
D811,529 S	*	2/2018	Schoenherr .....	D23/238
D811,532 S	*	2/2018	Schoenherr .....	D23/238
D813,986 S	*	3/2018	Schoenherr .....	D23/238
D813,987 S	*	3/2018	Schoenherr .....	D23/238
D813,988 S	*	3/2018	Schoenherr .....	D23/238
D813,990 S	*	3/2018	Schoenherr .....	D23/242
D827,779 S	*	9/2018	Soulier .....	D23/238
D828,908 S	*	9/2018	Merki .....	D23/238
D867,545 S		11/2019	Chung	

\* cited by examiner

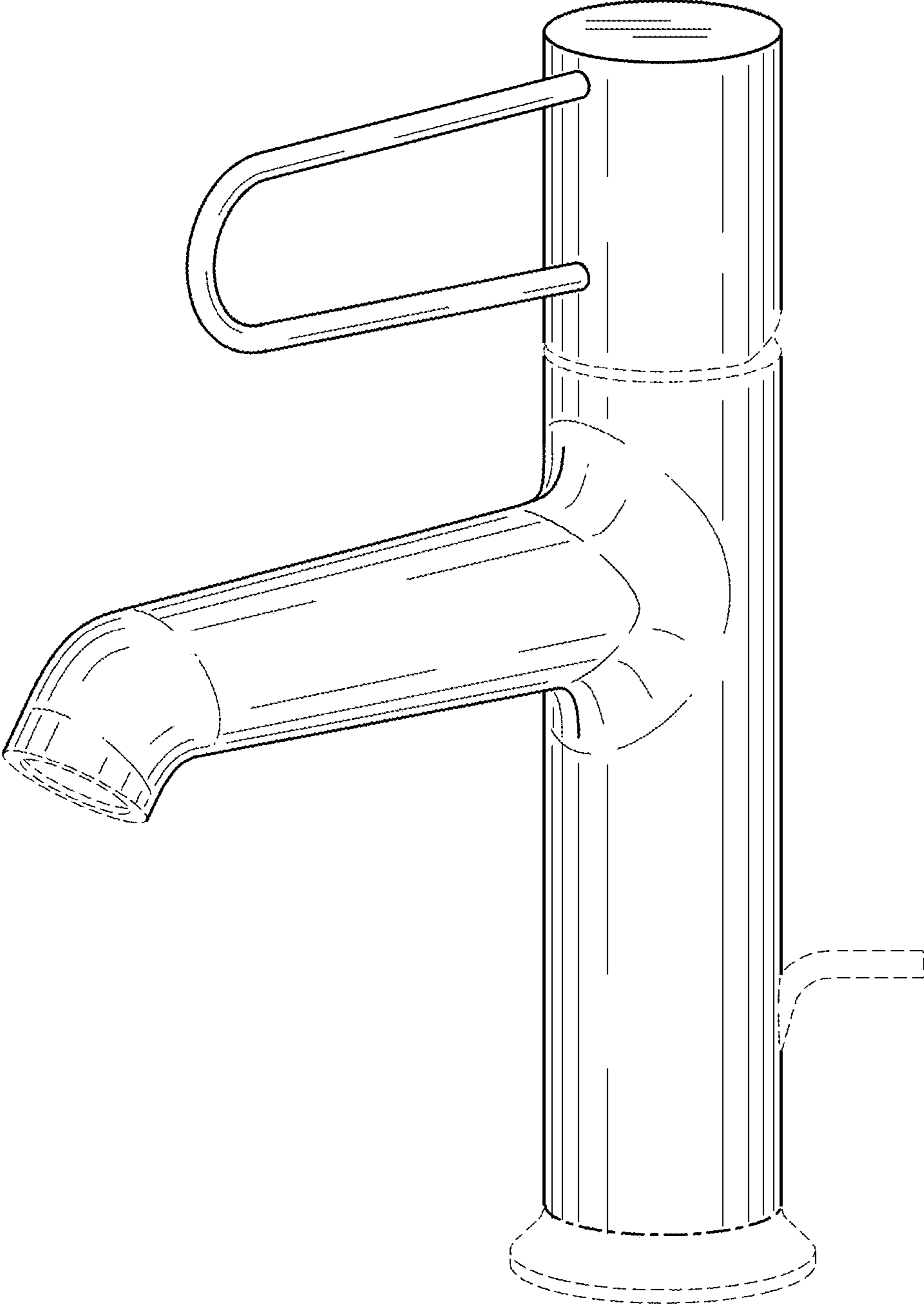


FIG. 1

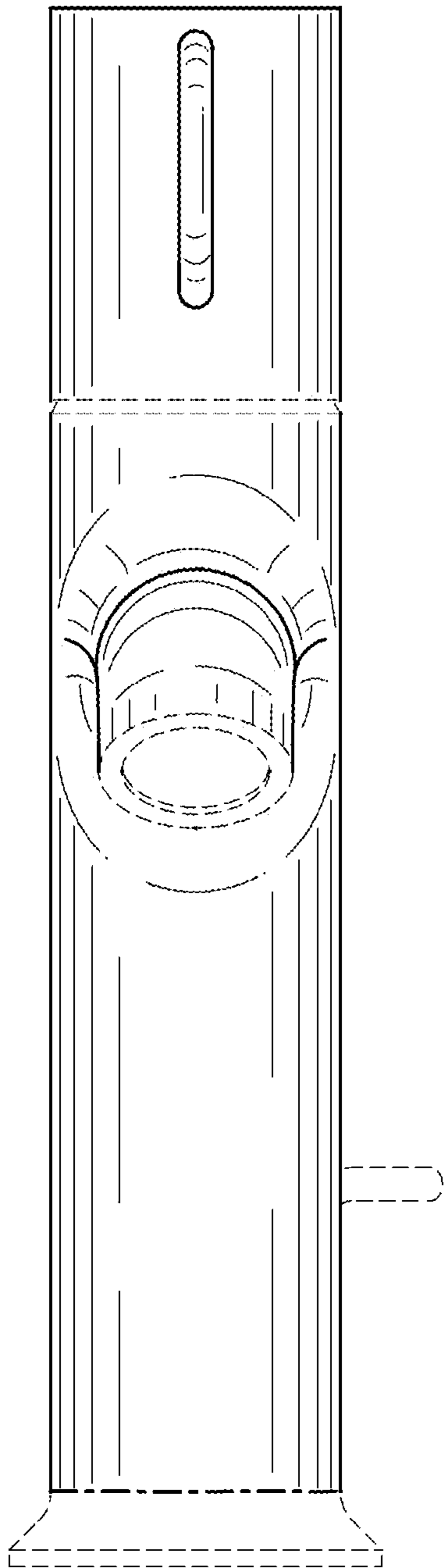


FIG. 2

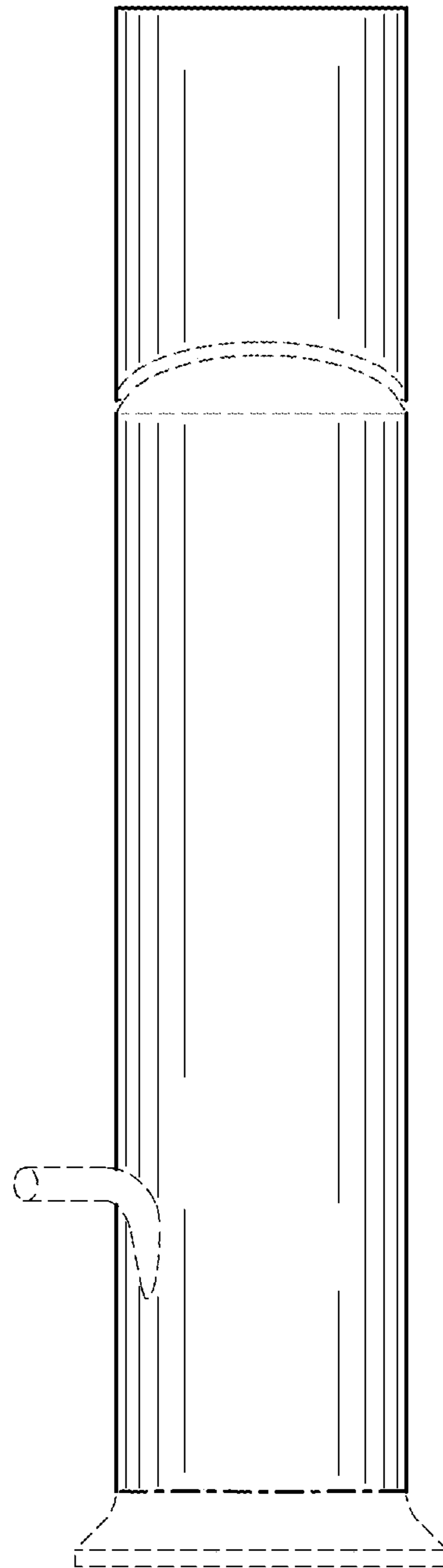


FIG. 3

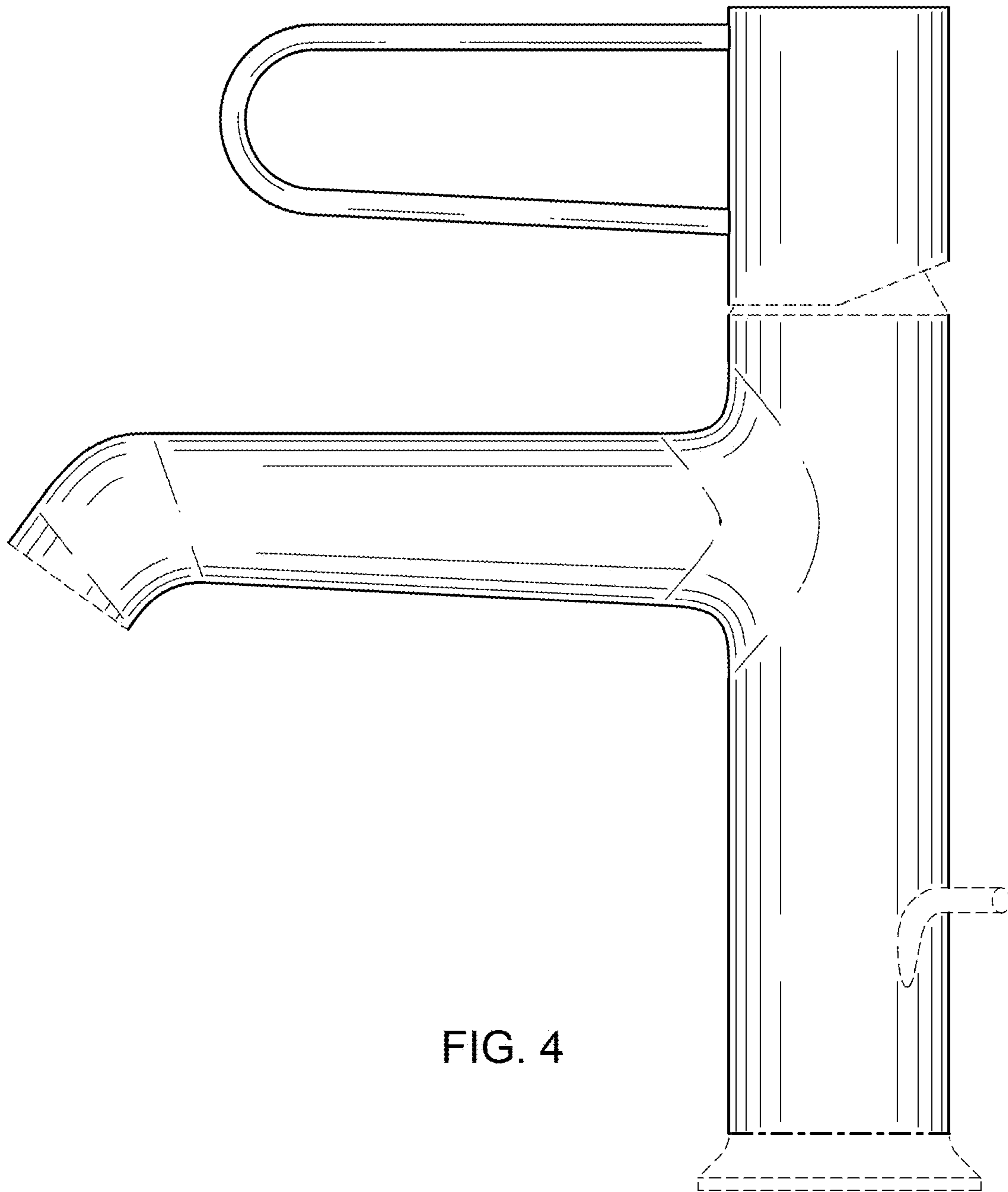


FIG. 4

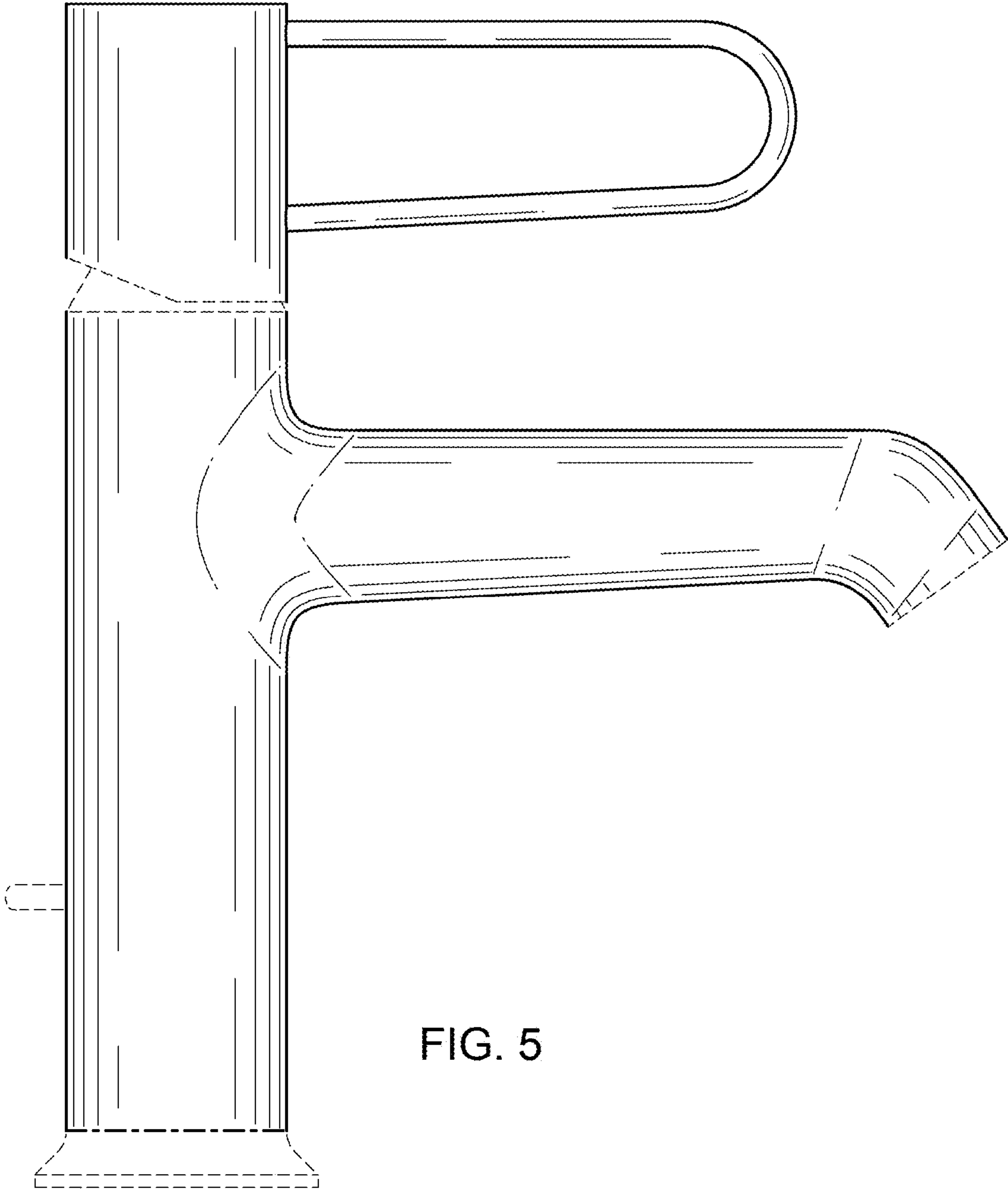


FIG. 5

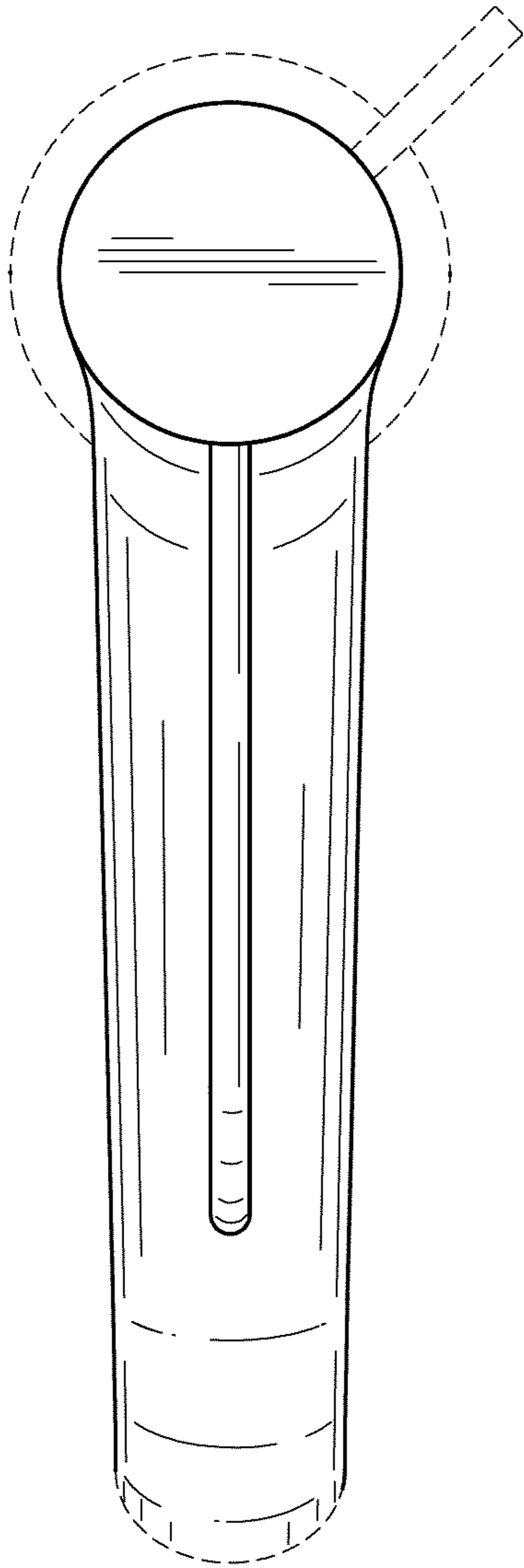


FIG. 6

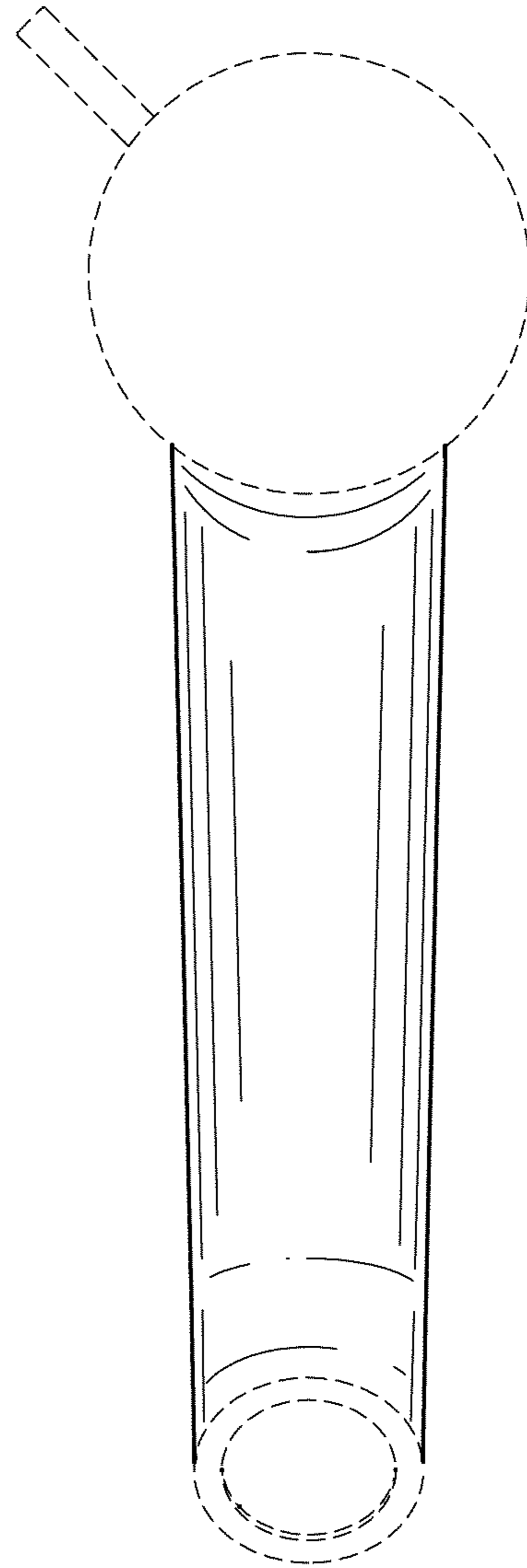


FIG. 7



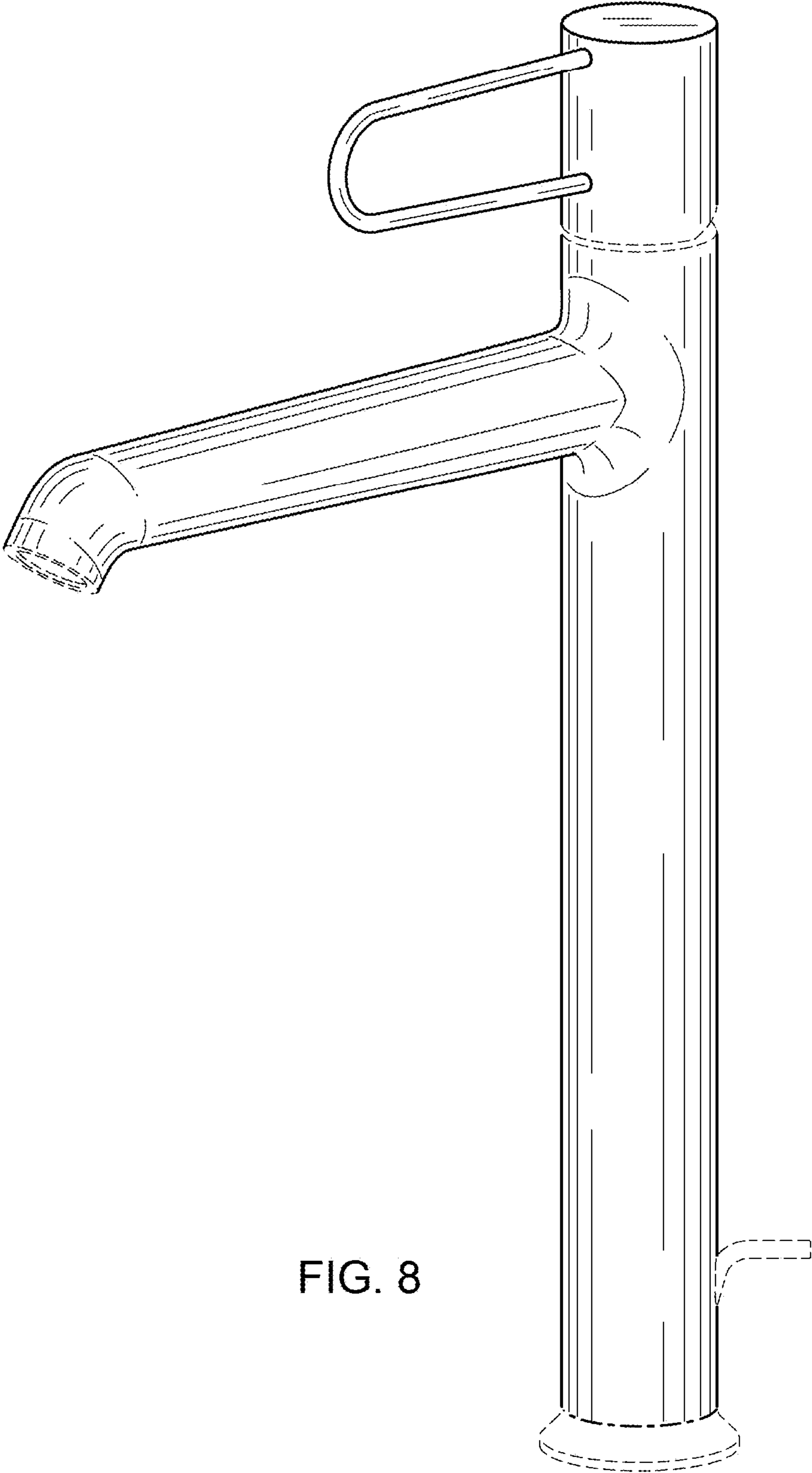


FIG. 8



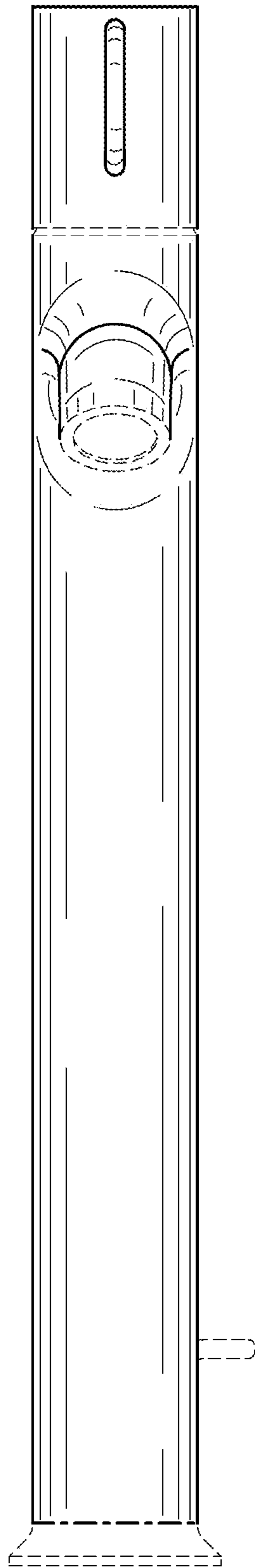


FIG. 9

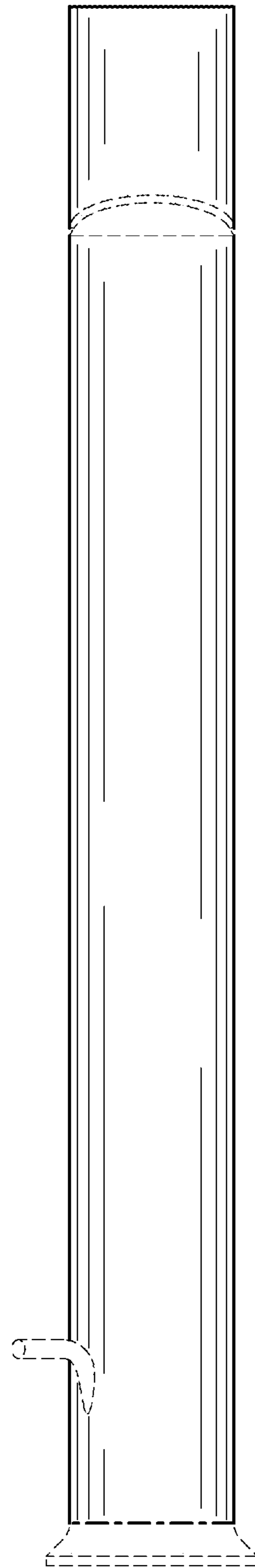


FIG. 10

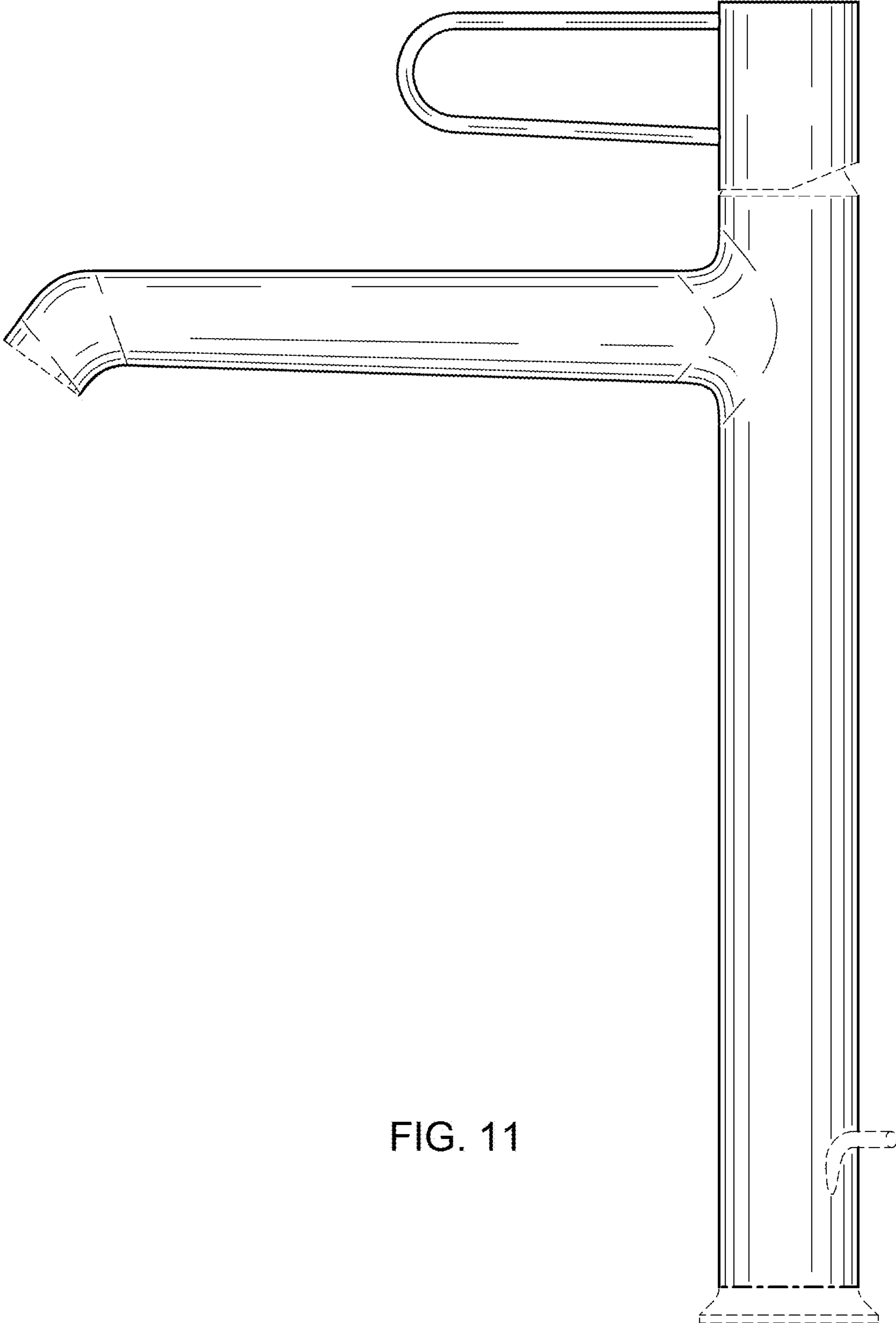


FIG. 11

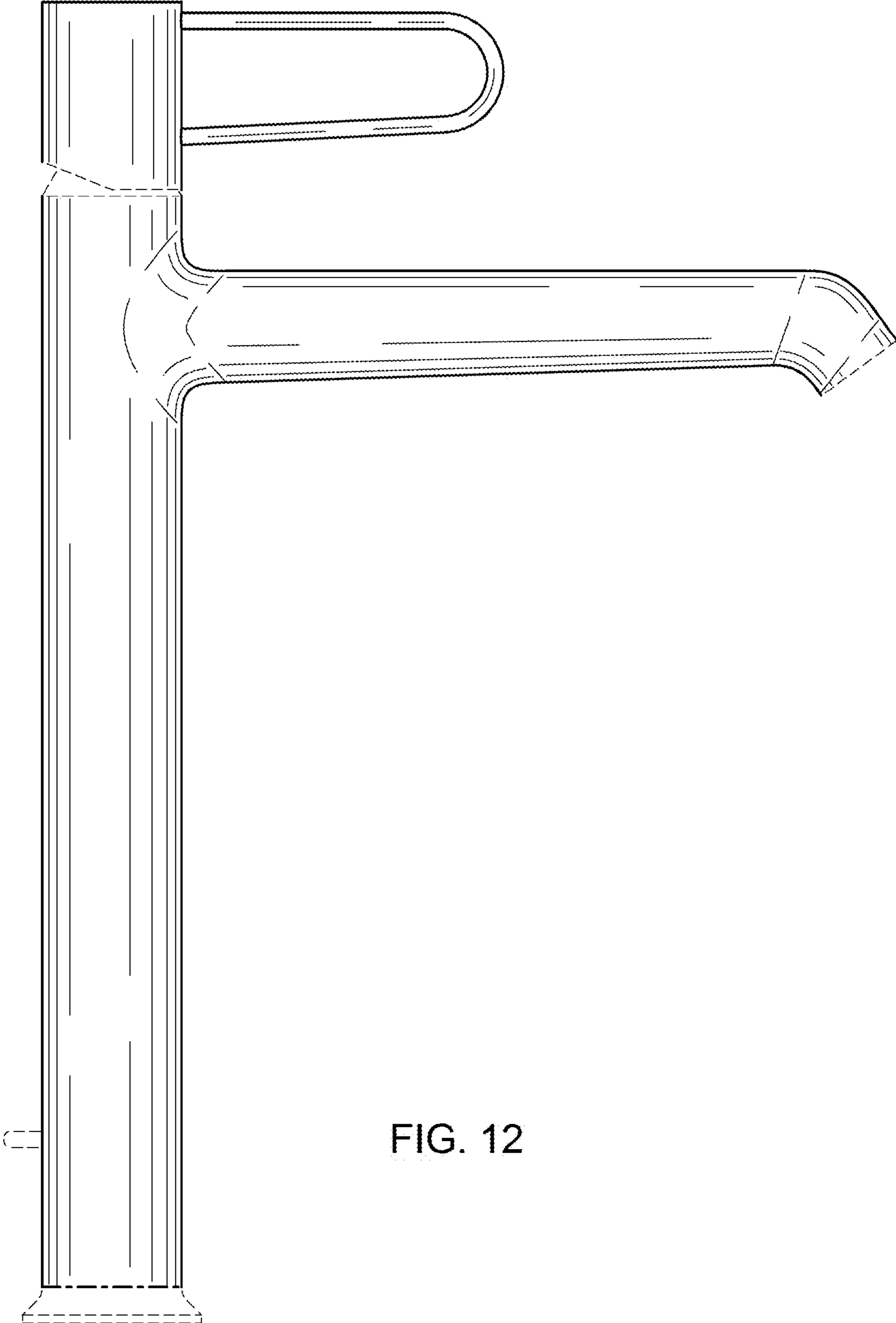


FIG. 12

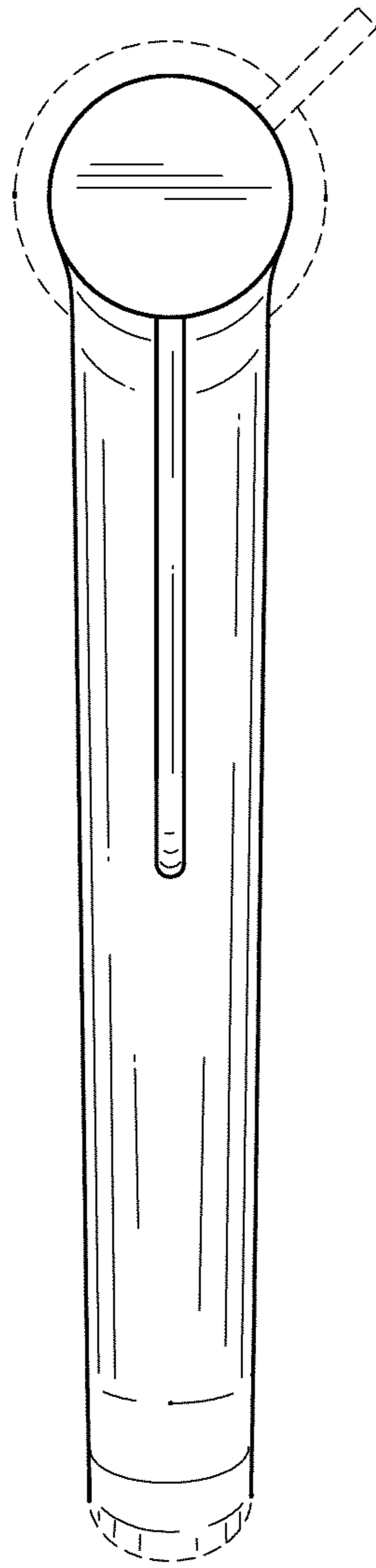


FIG. 13

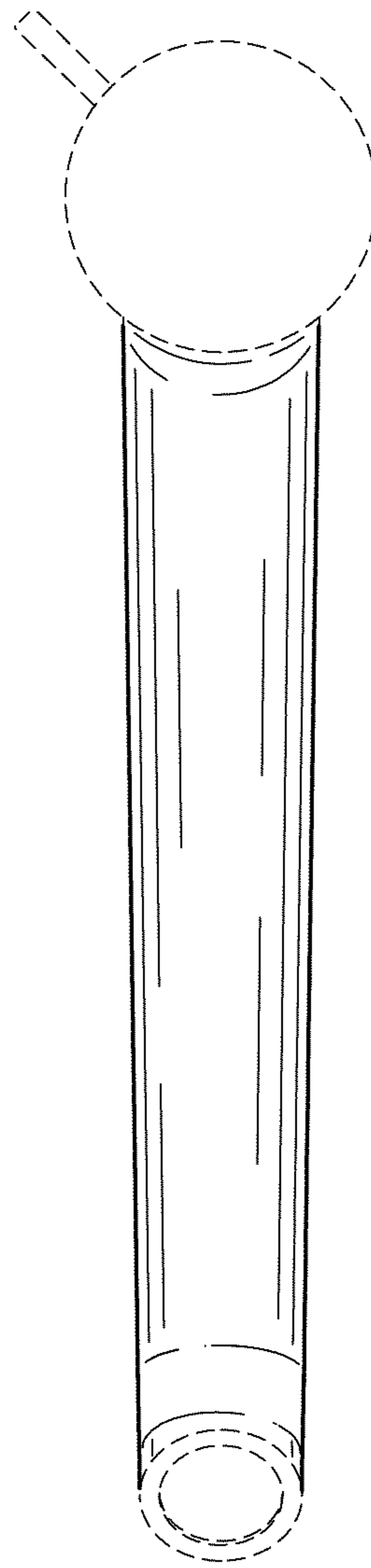


FIG. 14