



US00D912205S

(12) **United States Design Patent**
Cordua

(10) **Patent No.:** **US D912,205 S**

(45) **Date of Patent:** **** Mar. 2, 2021**

(54) **RISER MANIFOLD**

(71) Applicant: **Paul M. Cordua**, Lindsay, CA (US)

(72) Inventor: **Paul M. Cordua**, Lindsay, CA (US)

(**) Term: **15 Years**

(21) Appl. No.: **29/641,386**

(22) Filed: **Mar. 21, 2018**

(51) **LOC (13) Cl.** **23-01**

(52) **U.S. Cl.**
USPC **D23/233**

(58) **Field of Classification Search**
USPC D23/233–237, 241–249, 268; 137/884,
137/597
CPC F16K 27/003; F16K 1/126; F16K 31/122;
F16K 31/1225; F16K 37/0066; F16K
11/0856; F16K 31/0603; F16K 3/26;
F16K 11/00; F16K 27/0263; F15B
13/0807

See application file for complete search history.

(56) **References Cited**

U.S. PATENT DOCUMENTS

D97,414 S * 11/1935 Schlafman D23/268
D705,396 S * 5/2014 Roden D23/233

D818,562 S * 5/2018 Yung D23/233
D864,353 S * 10/2019 Oechsle D23/233
2017/0198822 A1* 7/2017 Harris F16K 11/22
2019/0293194 A1* 9/2019 Cordua B05B 15/74

* cited by examiner

Primary Examiner — Gino Colan

(74) *Attorney, Agent, or Firm* — Fulwider Patton LLP

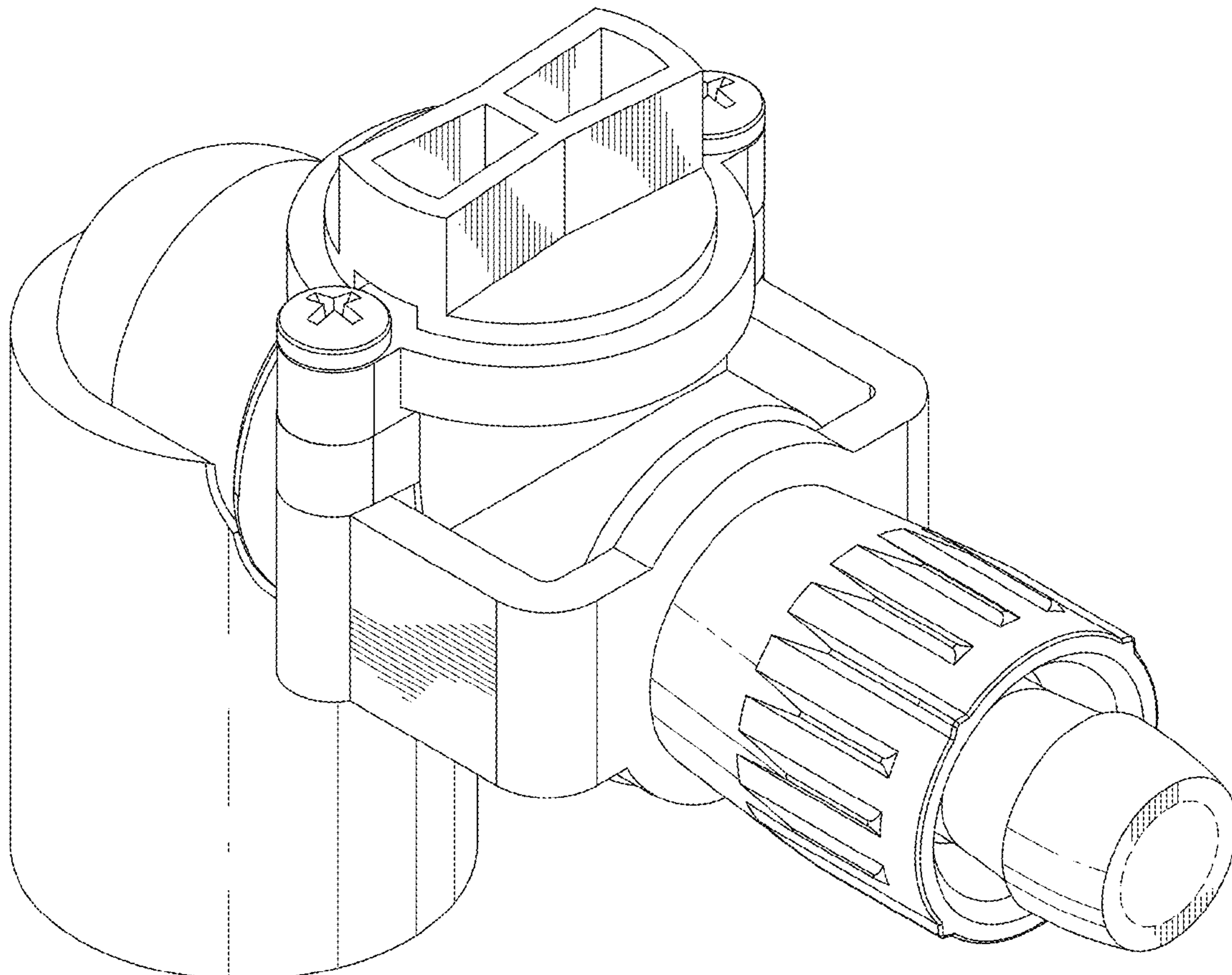
(57) **CLAIM**

The ornamental design for a riser manifold, as shown and described.

DESCRIPTION

FIG. 1 is a front, perspective view of a riser manifold showing my new design;
FIG. 2 is rear perspective view thereof;
FIG. 3 is a top plan view thereof;
FIG. 4 is a left side elevational view thereof;
FIG. 5 is a right side elevational view thereof;
FIG. 6 is a bottom plan view thereof;
FIG. 7 is a front side elevational view thereof; and,
FIG. 8 is a rear side elevational view thereof.
The broken lines shown in the figures are included for the purpose of illustrating portions of the riser manifold and form no part of the claimed design.

1 Claim, 5 Drawing Sheets



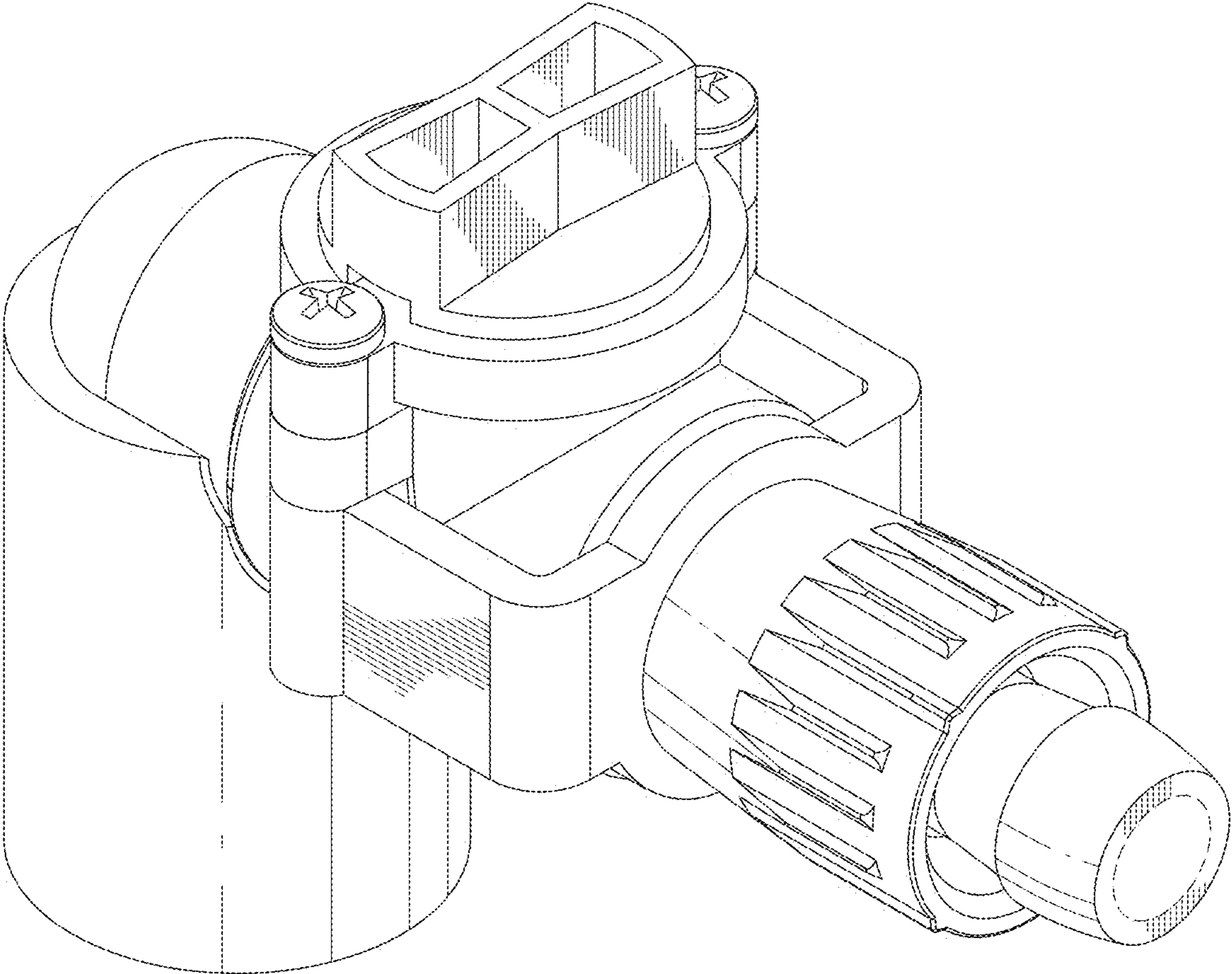


FIG. 1

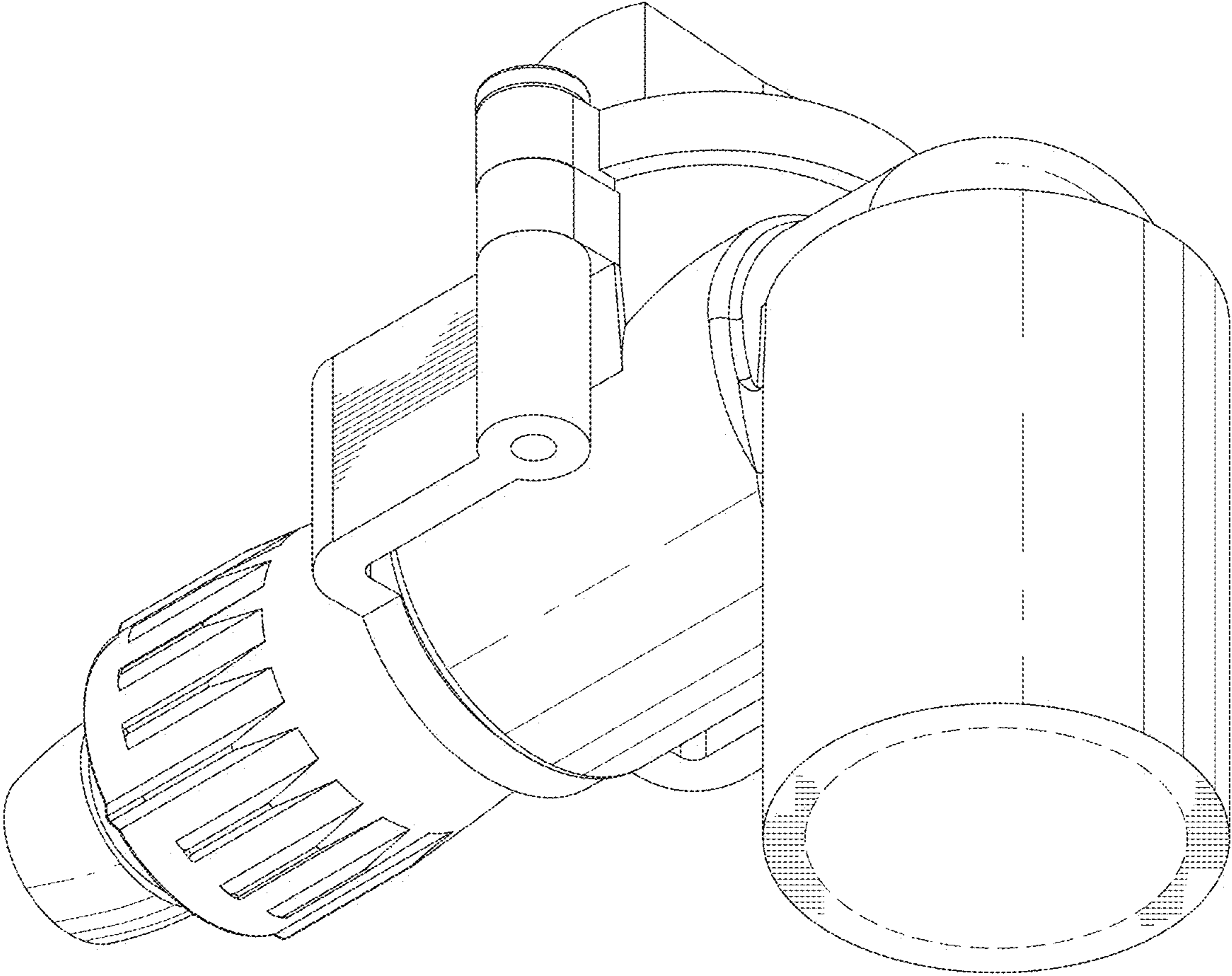


FIG. 2

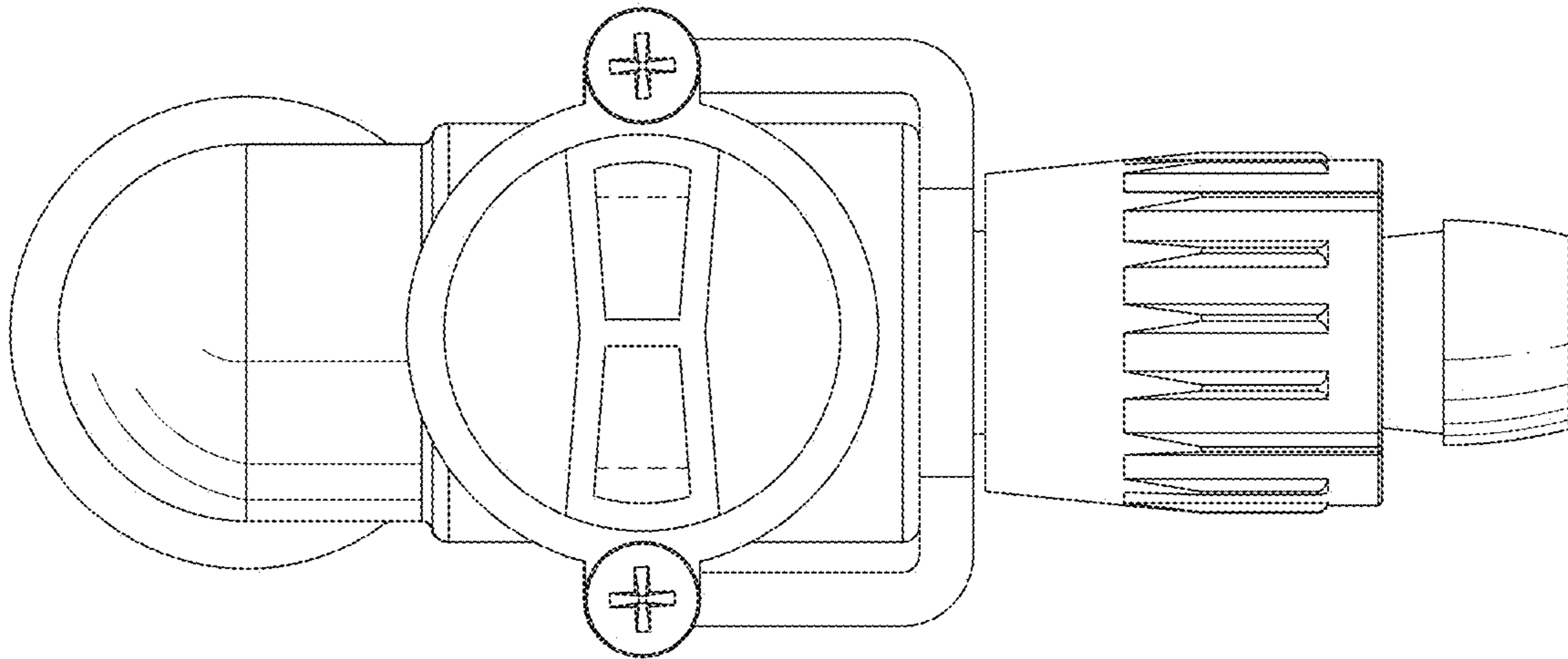


FIG. 3

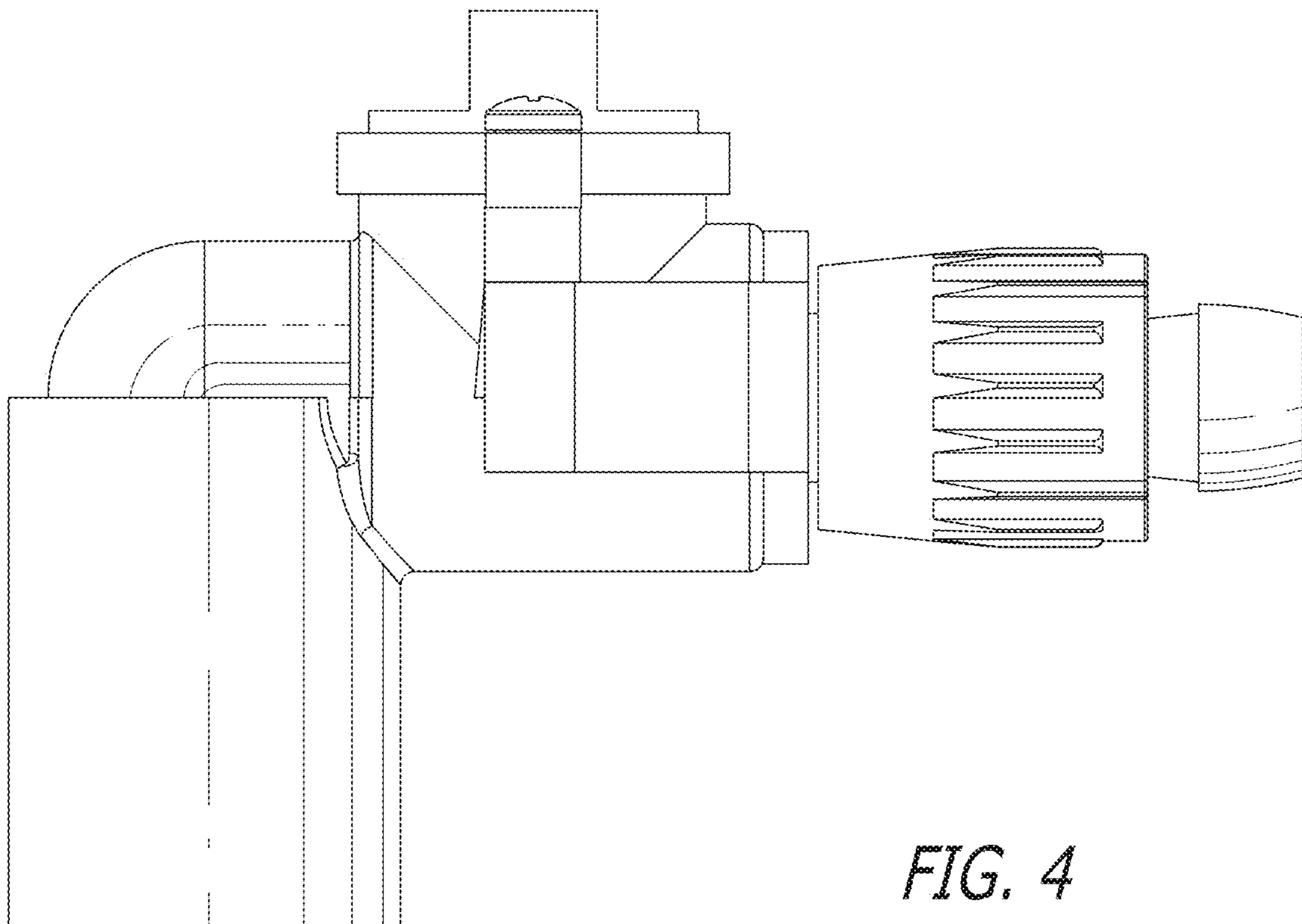
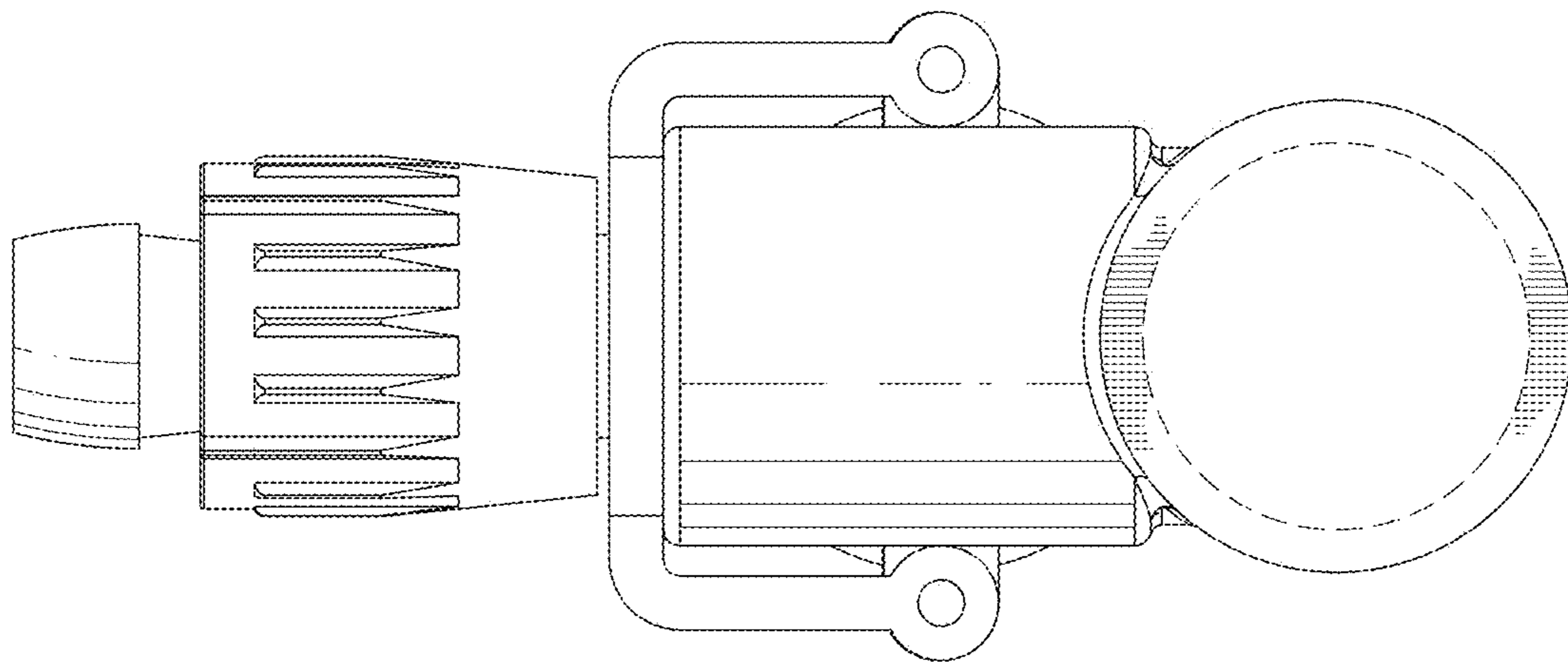
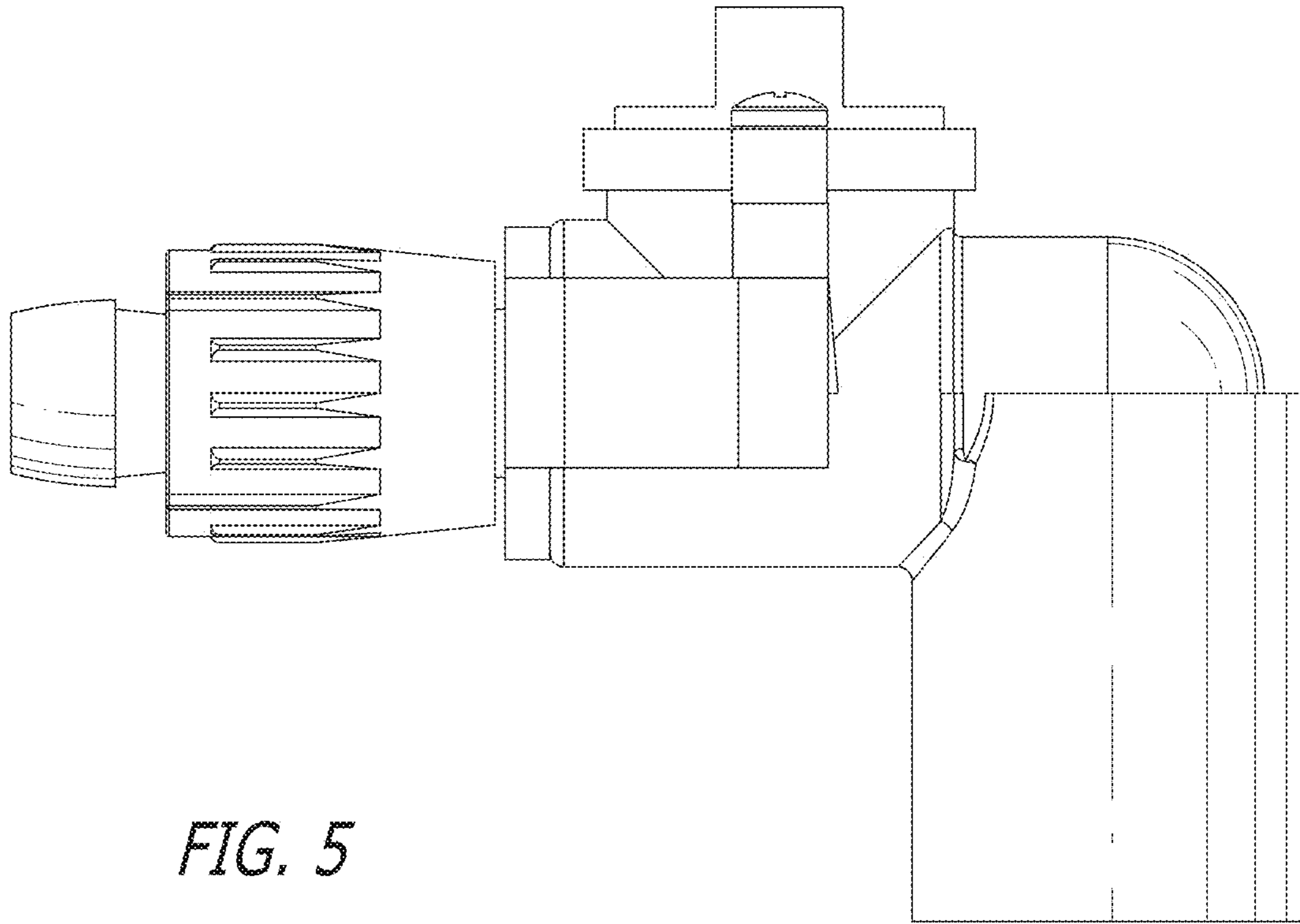


FIG. 4



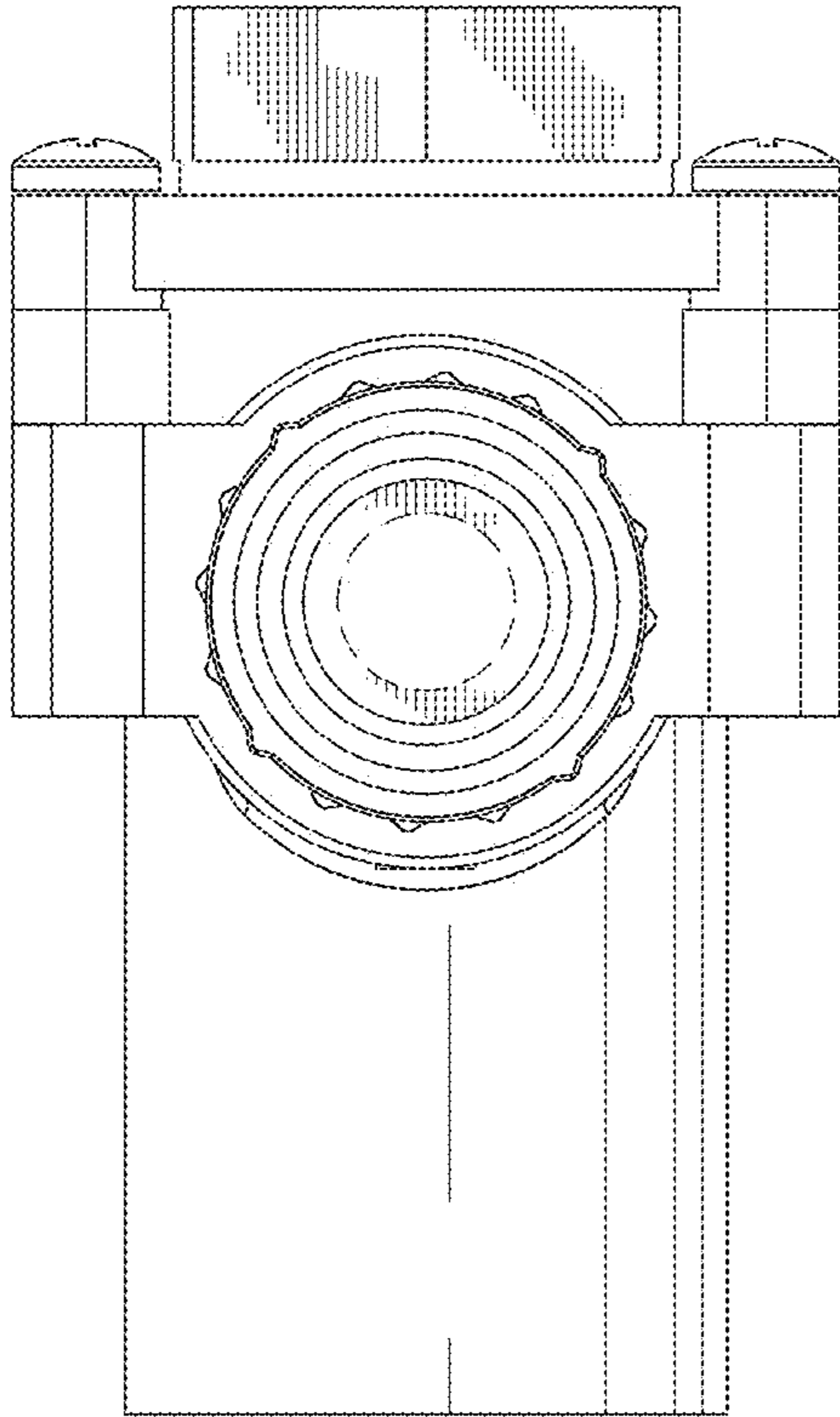


FIG. 7

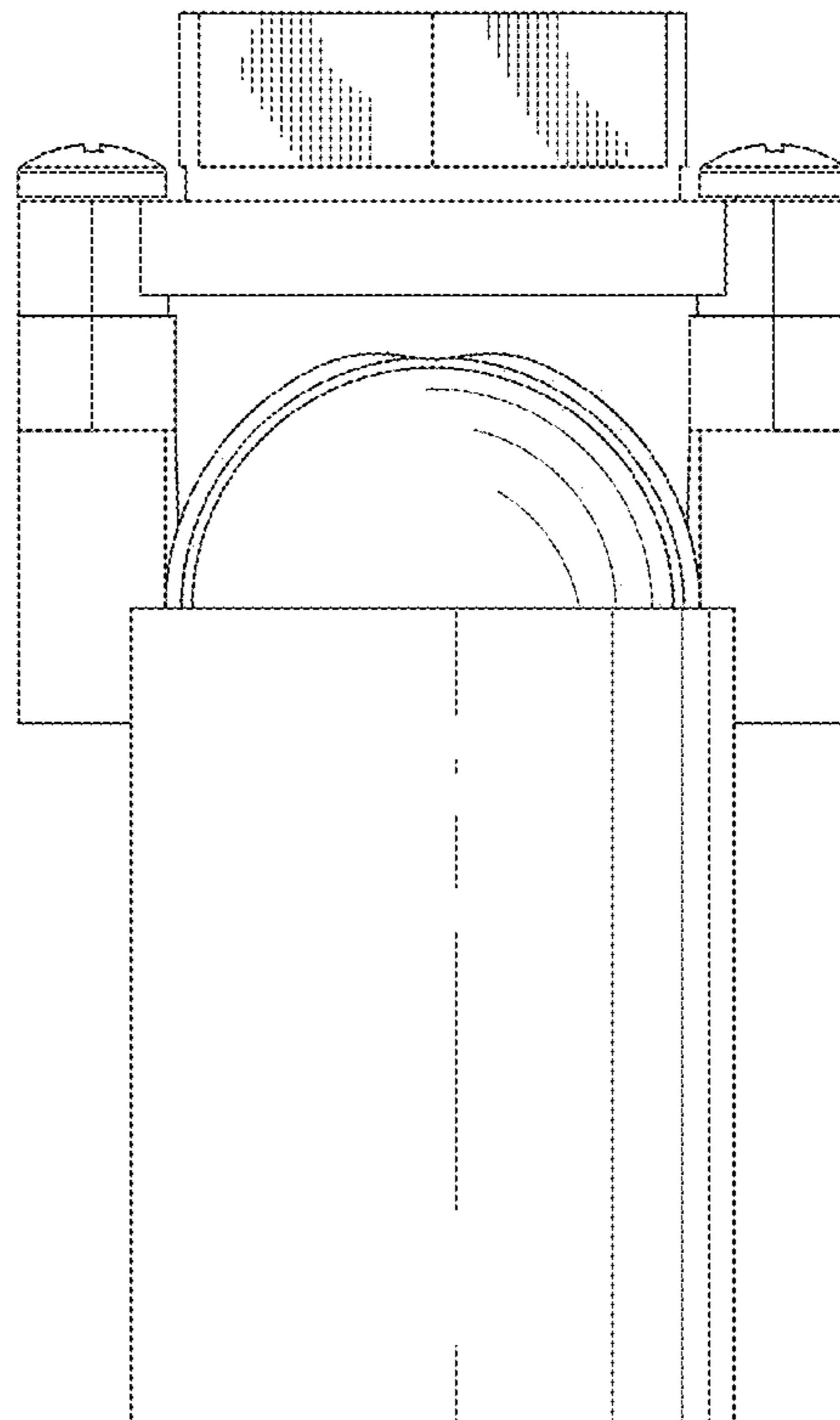


FIG. 8