



US00D912202S

(12) **United States Design Patent**  
**Takezawa et al.**

(10) **Patent No.:** **US D912,202 S**  
(45) **Date of Patent:** **\*\* Mar. 2, 2021**

(54) **FILLING NOZZLE**

(71) Applicant: **TATSUNO CORPORATION**, Tokyo (JP)

(72) Inventors: **Masahiro Takezawa**, Tokyo (JP);  
**Makoto Arai**, Tokyo (JP)

(73) Assignee: **TATSUNO CORPORATION**, Tokyo (JP)

(\*\*) Term: **15 Years**

(21) Appl. No.: **29/695,953**

(22) Filed: **Jun. 24, 2019**

(51) **LOC (13) Cl.** ..... **23-01**

(52) **U.S. Cl.**  
USPC ..... **D23/213**

(58) **Field of Classification Search**  
USPC ..... D23/213, 214, 215, 223, 224, 226, 229,  
D23/230  
CPC ..... A61H 9/0021; A61H 33/00; B05B 1/00;  
B05B 1/14; B05B 1/185; B05B 1/08;  
B05B 1/02; B05B 1/26; B05B 12/002;  
B05B 1/18; B05B 9/01  
See application file for complete search history.

(56) **References Cited**

**U.S. PATENT DOCUMENTS**

4,311,173 A \* 1/1982 Sailors, Jr. .... B65B 39/04  
141/286  
6,119,738 A \* 9/2000 Idol ..... F04D 25/084  
141/114  
6,135,318 A \* 10/2000 Valley ..... B65D 47/242  
222/48  
6,230,982 B1 \* 5/2001 Newton ..... B05B 7/0012  
239/10  
6,557,787 B2 \* 5/2003 Swan ..... B05B 1/267  
239/597  
D504,492 S \* 4/2005 Yeager ..... D23/213  
D532,863 S \* 11/2006 Mather ..... D23/213

D535,721 S \* 1/2007 Ford ..... D23/213  
D549,802 S \* 8/2007 Guenther ..... D23/213  
D568,439 S \* 5/2008 Fulkerson ..... D23/213  
7,708,211 B2 \* 5/2010 Maier ..... B05C 17/00516  
239/456  
D639,903 S \* 6/2011 Plotzitzka ..... D23/213  
D670,356 S \* 11/2012 Sanwald ..... D23/213  
D684,661 S \* 6/2013 Ogen ..... D23/213  
D723,136 S \* 2/2015 Roberts ..... D23/213  
RE45,395 E \* 3/2015 Fulkerson ..... D23/213  
D723,658 S \* 3/2015 Meister ..... D23/213  
D745,635 S \* 12/2015 Schwarz ..... D23/213  
D747,440 S \* 1/2016 Naslund ..... D23/213

(Continued)

**OTHER PUBLICATIONS**

[https://www.amazon.com/dp/B07V41N5TJ/ref=sbl\\_dp\\_x\\_B07D3SRZ5Q\\_0?th=1](https://www.amazon.com/dp/B07V41N5TJ/ref=sbl_dp_x_B07D3SRZ5Q_0?th=1) (Year: 2020).\*

*Primary Examiner* — Manpreet S Matharu

*Assistant Examiner* — Keith J Wilson

(74) *Attorney, Agent, or Firm* — Stetina Brunda Garred and Brucker; Mark B. Garred

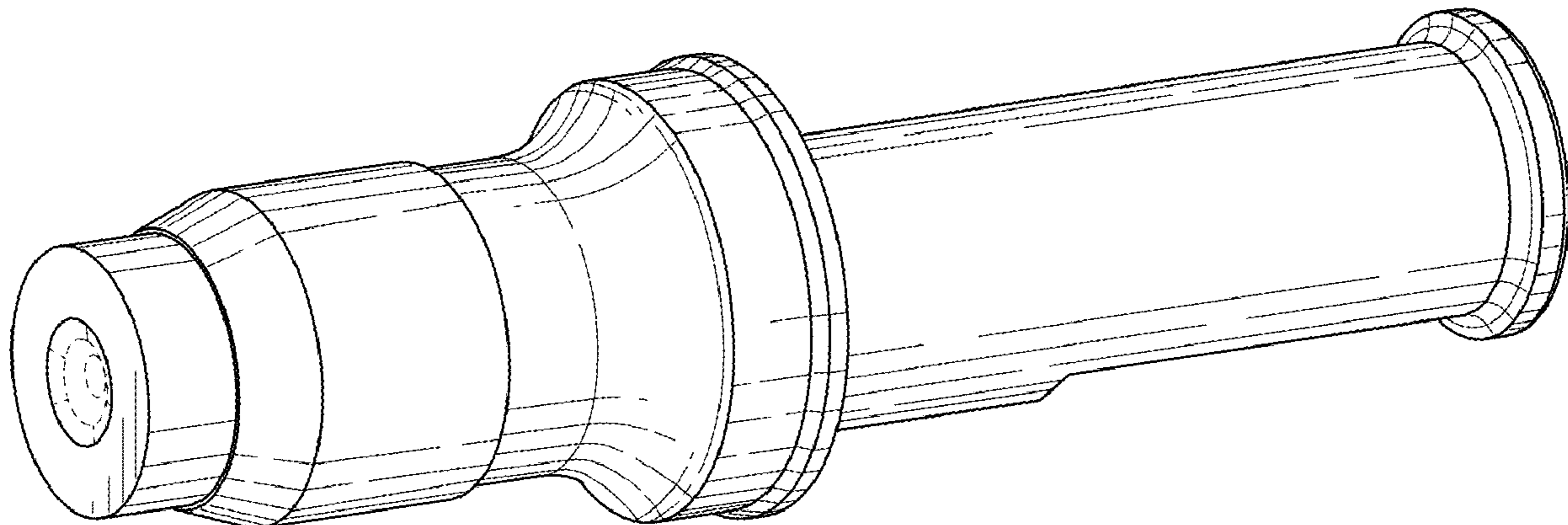
(57) **CLAIM**

The ornamental design for a filling nozzle, as shown and described.

**DESCRIPTION**

FIG. 1 is a perspective view of the filling nozzle of the present invention showing our new design; FIG. 2 is a top plan view thereof; FIG. 3 is a front elevational view thereof; FIG. 4 is a left-side elevational view thereof; FIG. 5 is a right-side elevational thereof; FIG. 6 is a bottom plan view thereof; and, FIG. 7 is a rear elevational view thereof. The broken lines shown in FIGS. 1, 4, and 5 represent portions of a filling nozzle and form no part of the claimed design.

**1 Claim, 2 Drawing Sheets**



(56)

**References Cited**

U.S. PATENT DOCUMENTS

D808,431 S *	1/2018	Tseng .....	D15/5
D808,497 S *	1/2018	Naslund .....	D23/213
D812,714 S *	3/2018	Hughes .....	D23/213
D827,087 S *	8/2018	Merritt .....	D23/213
D837,933 S *	1/2019	Carroll .....	D23/213
D867,529 S *	11/2019	Yang .....	D23/213
D875,205 S *	2/2020	Takezawa .....	D23/201

\* cited by examiner

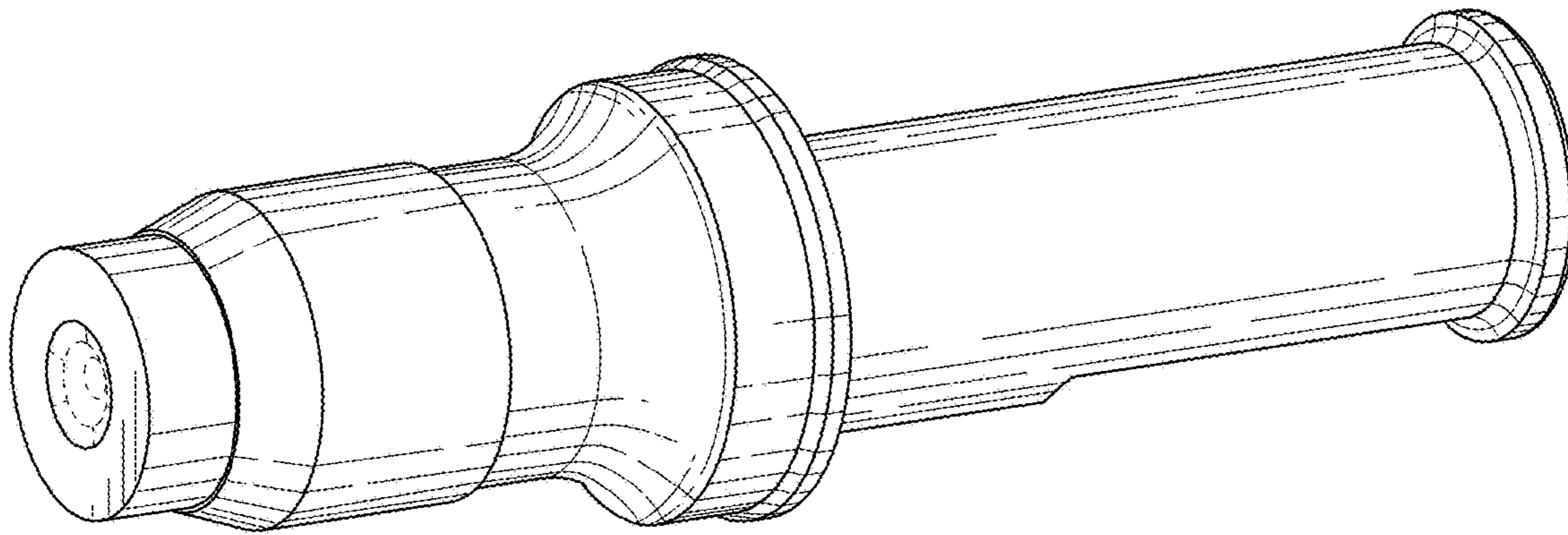


FIG. 1

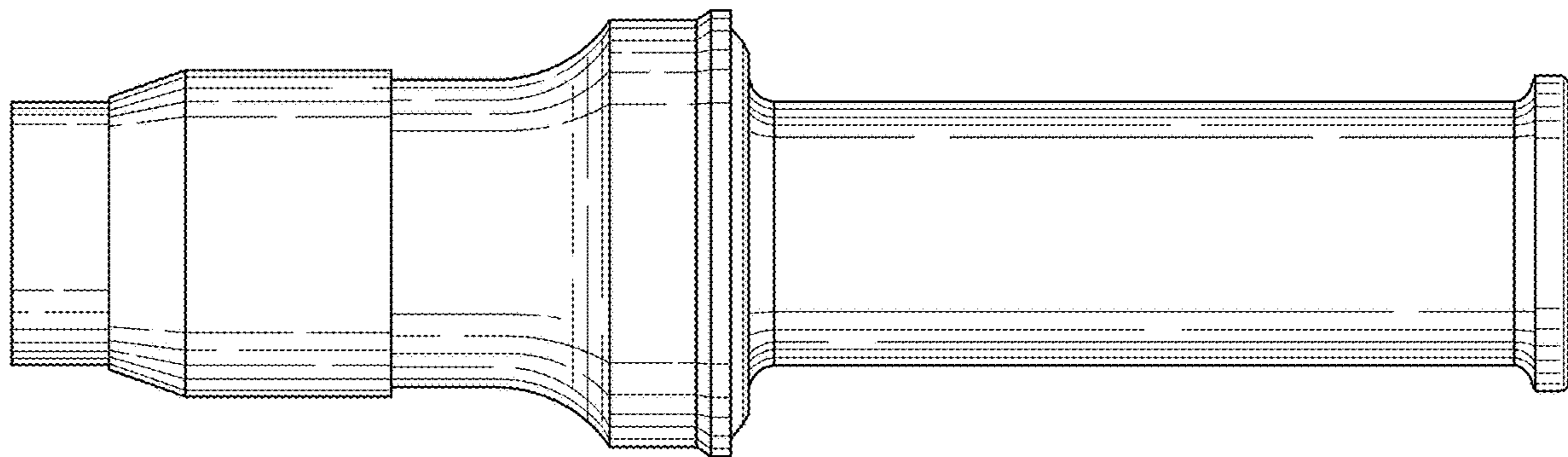


FIG. 2

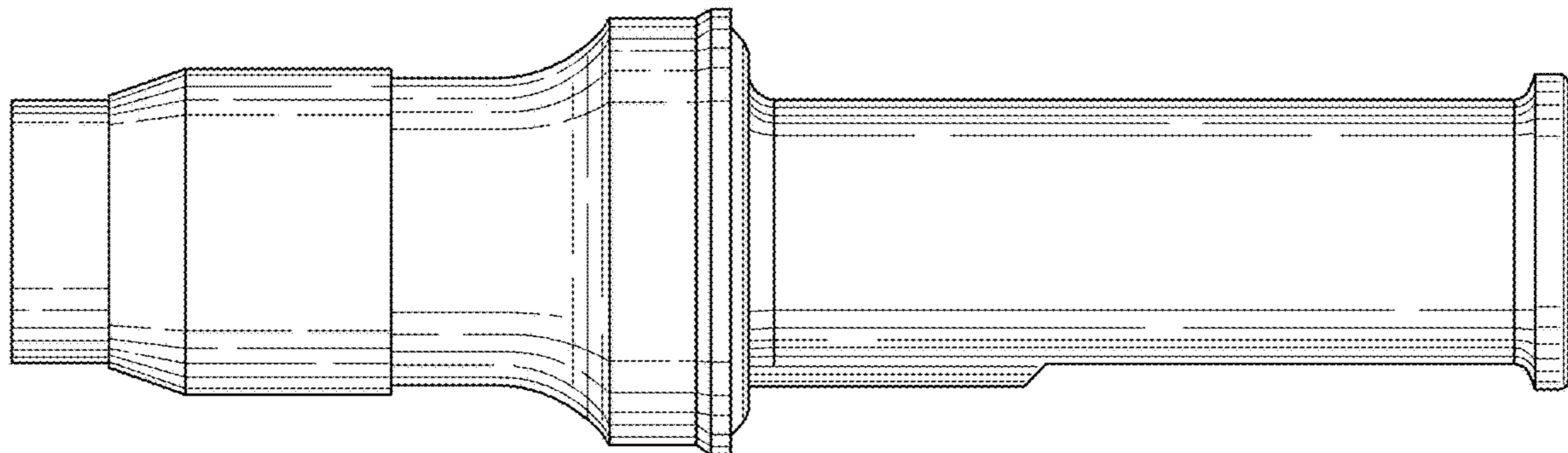


FIG. 3

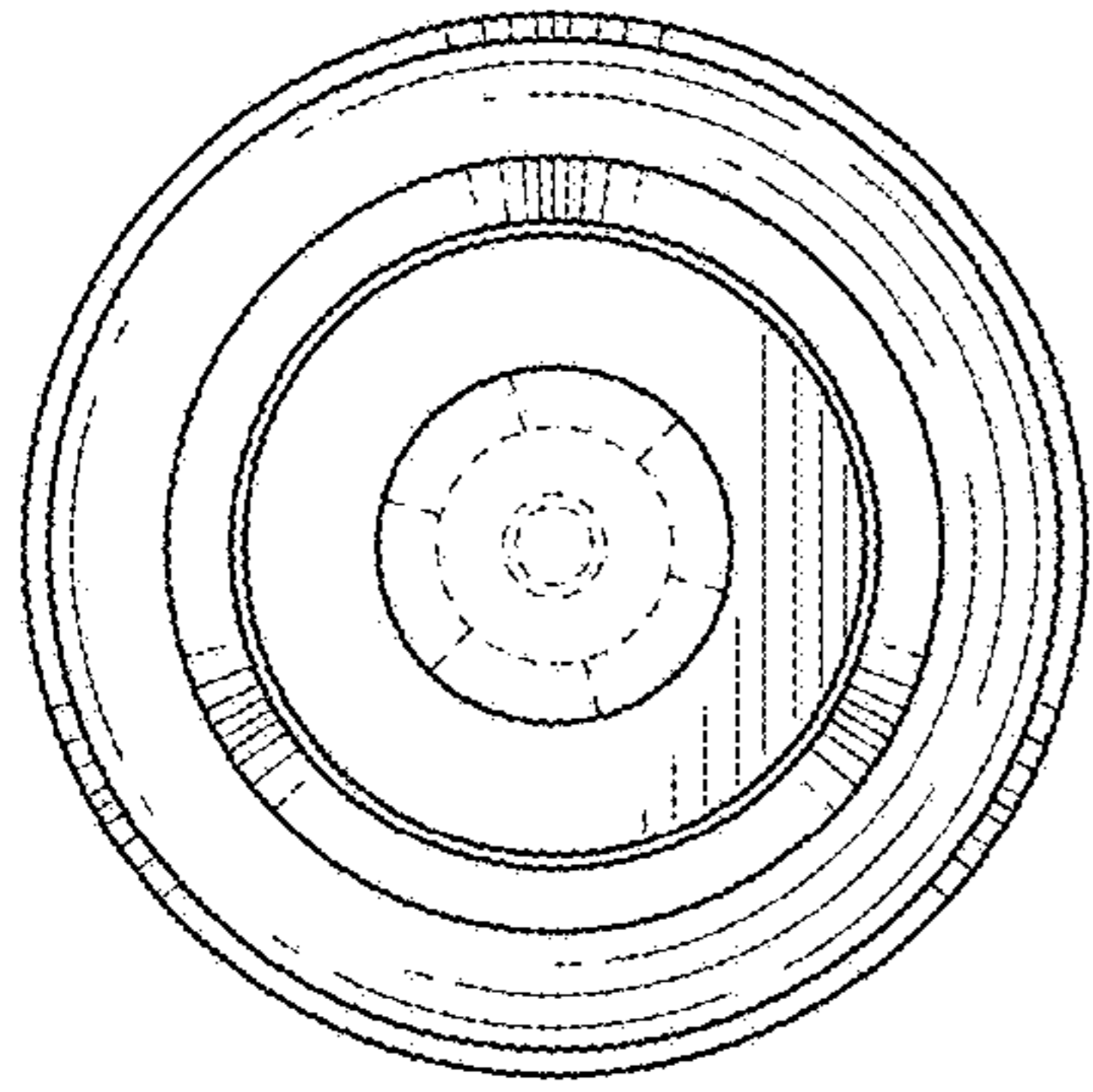


FIG. 4

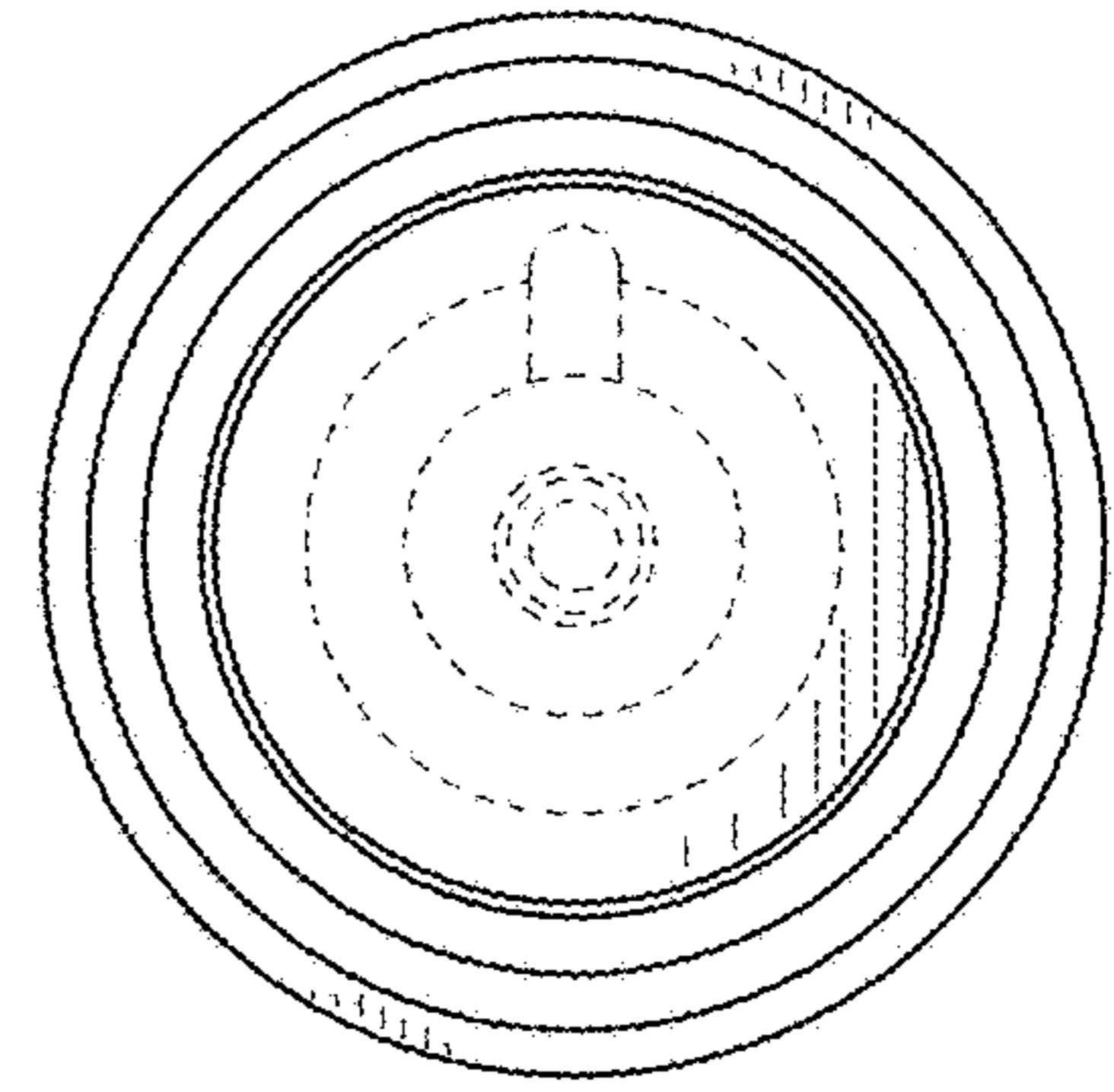


FIG. 5

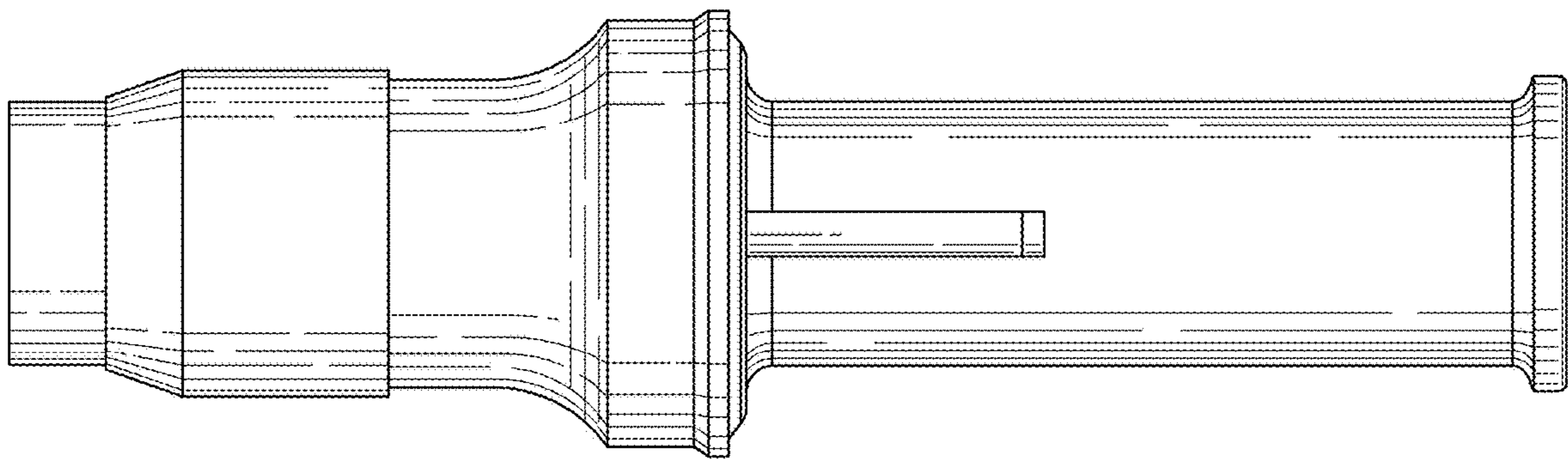


FIG. 6

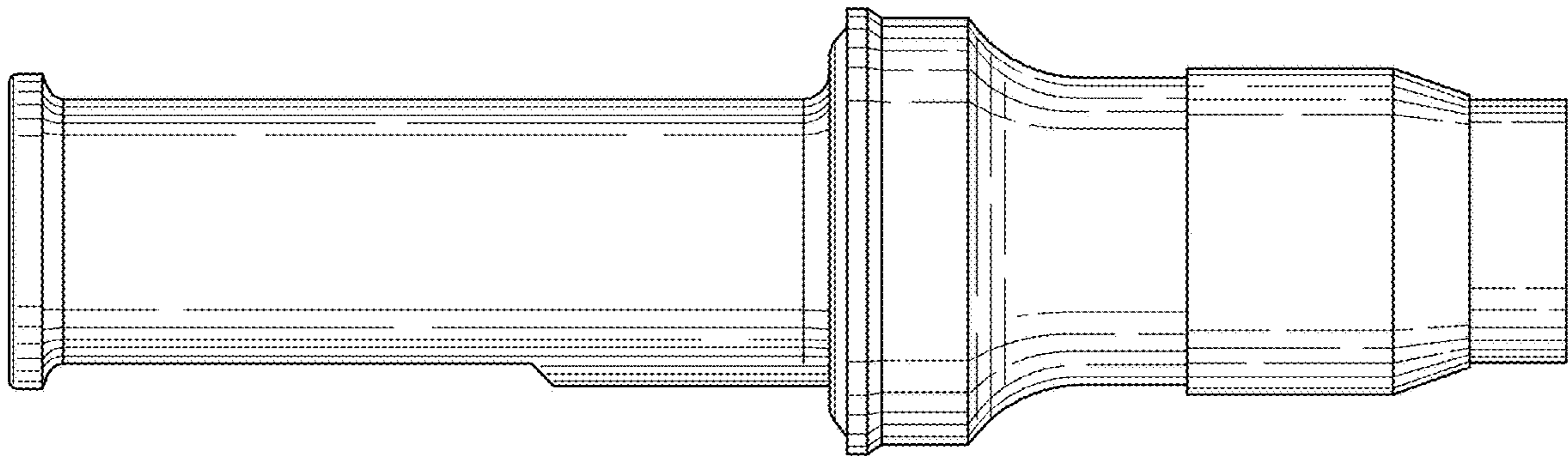


FIG. 7