



US00D912201S

(12) **United States Design Patent** (10) **Patent No.:** **US D912,201 S**
Arenson et al. (45) **Date of Patent:** **** Mar. 2, 2021**

- (54) **SPRAY NOZZLE**
- (71) Applicant: **Spraying Systems Co.**, Glendale Heights, IL (US)
- (72) Inventors: **Marc A. Arenson**, Bartlett, IL (US); **Daniel J. Cederberg**, South Elgin, IL (US)
- (73) Assignee: **Spraying Systems Co.**, Wheaton, IL (US)
- (**) Term: **15 Years**
- (21) Appl. No.: **29/690,815**
- (22) Filed: **May 10, 2019**
- (51) **LOC (13) Cl.** **23-01**
- (52) **U.S. Cl.**
USPC **D23/213**
- (58) **Field of Classification Search**
USPC D23/213, 214, 215, 223, 224, 226, 229, D23/230
CPC A61H 9/0021; A61H 33/00; B05B 1/00; B05B 1/14; B05B 1/185; B05B 1/08; B05B 1/02; B05B 1/26; B05B 12/002; B05B 1/18; B05B 9/01
See application file for complete search history.

D758,531 S *	6/2016	Williams	D23/213
D774,163 S *	12/2016	Solakian	D23/213
D806,149 S *	12/2017	Williams	D15/138
D837,343 S *	1/2019	Nikles	D23/213
D837,933 S *	1/2019	Carroll	D23/213

OTHER PUBLICATIONS

https://www.amazon.com/Chapin-3-6001-Brass-Sprayer-Nozzle/dp/B0006T6EGO/ref=sr_1_132?dchild=1&keywords=spray+tip&qid=1586545918&s=lawn-garden&sr=1-132 (Year: 2012).*

* cited by examiner

Primary Examiner — Cathron C Brooks
Assistant Examiner — Keith J Wilson
(74) *Attorney, Agent, or Firm* — Leydig, Voit & Mayer, Ltd.

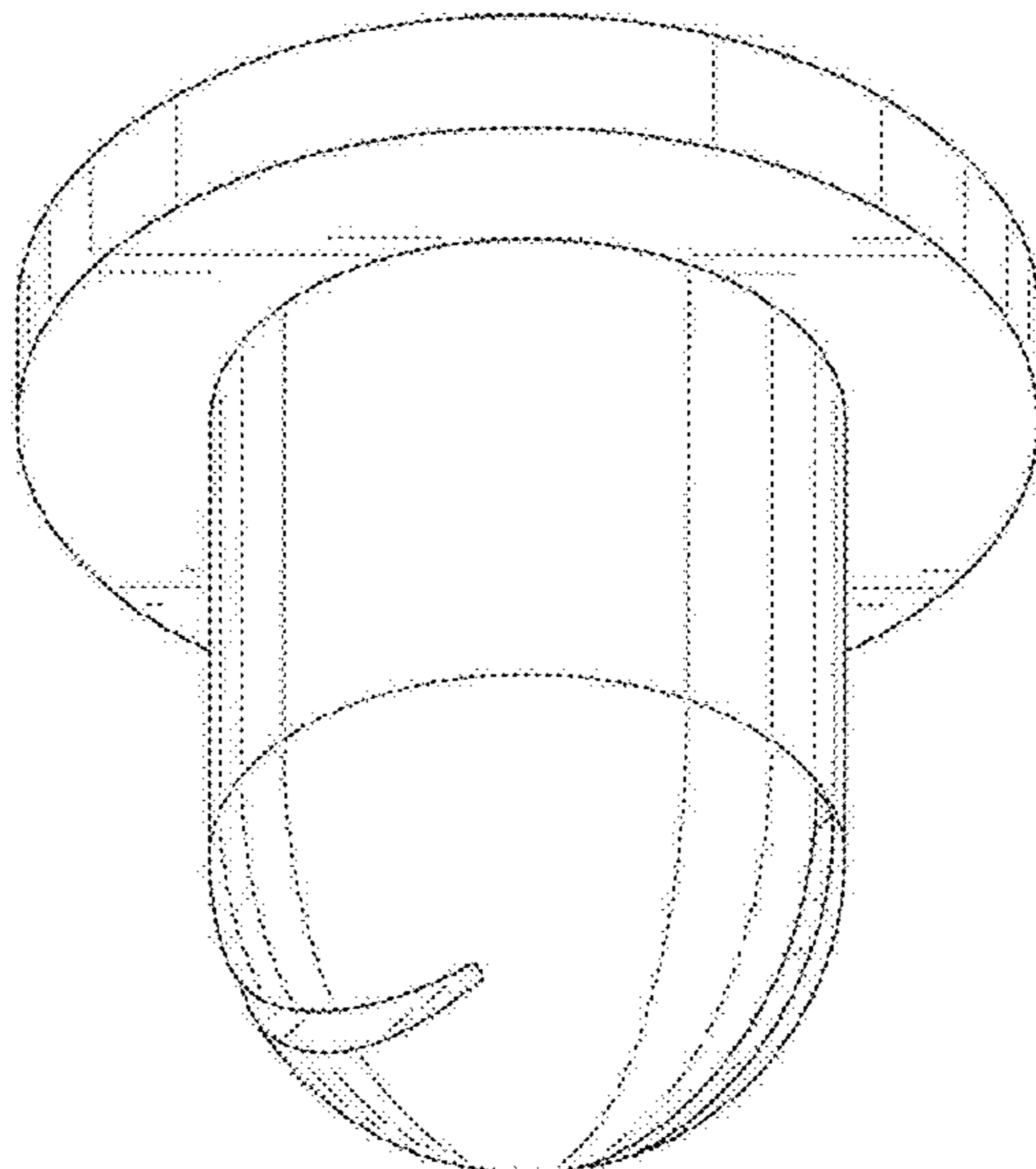
(57) **CLAIM**

The ornamental design for a spray nozzle, as shown and described.

DESCRIPTION

FIG. 1 is a perspective view taken from the front, top, and right side of the ornamental design for a spray nozzle. FIG. 2 is a front elevation view of the spray nozzle of FIG. 1. FIG. 3 is a rear elevation view of the spray nozzle of FIG. 1. FIG. 4 is a right side elevation view of the spray nozzle of FIG. 1. FIG. 5 is a left side elevation view of the spray nozzle of FIG. 1. FIG. 6 is a bottom plan view of the spray nozzle of FIG. 1; and, FIG. 7 is a top plan view of the spray nozzle of FIG. 1. The broken lines illustrate structure or features that form no part of the claimed design.

1 Claim, 7 Drawing Sheets



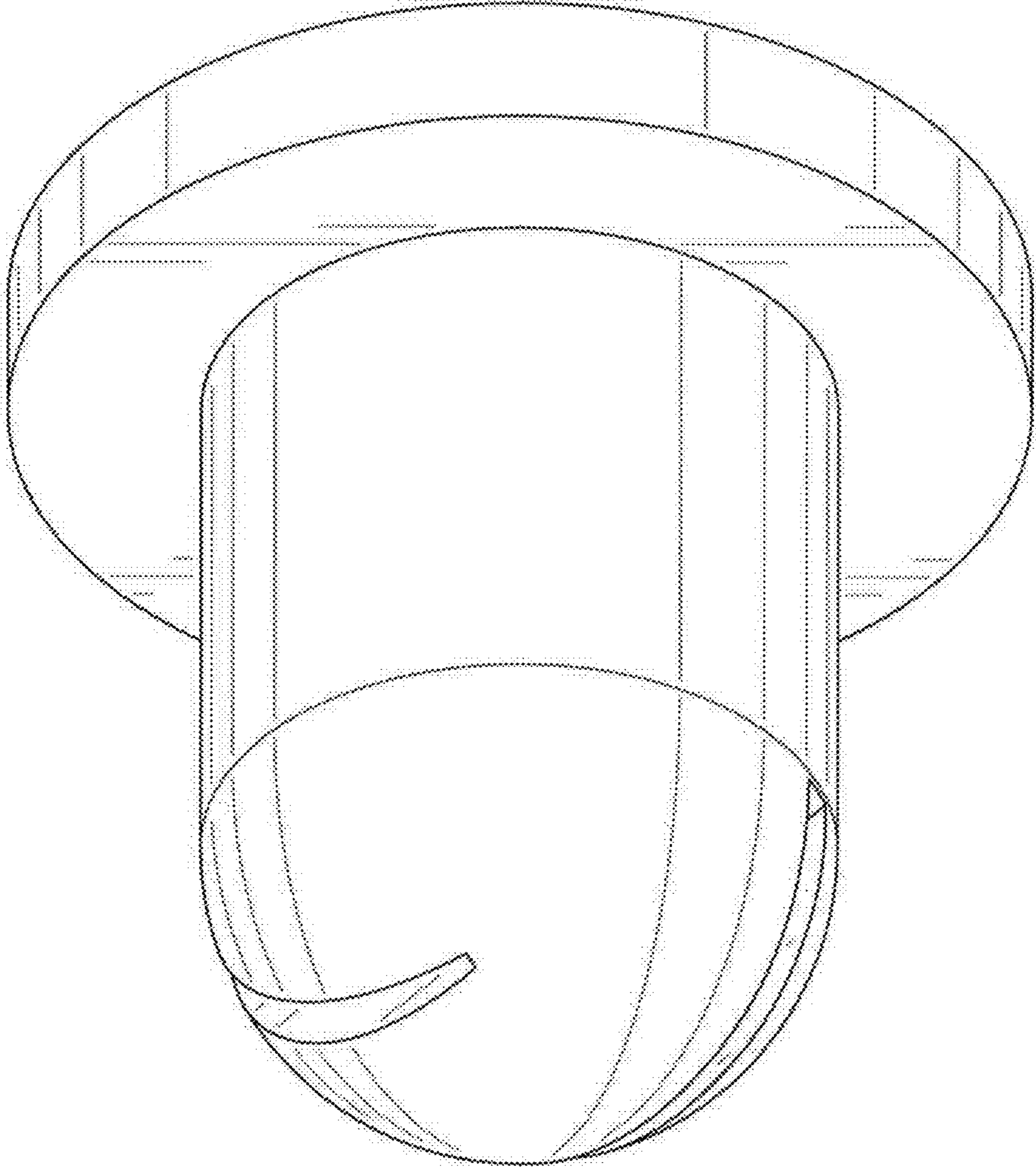


FIG. 1

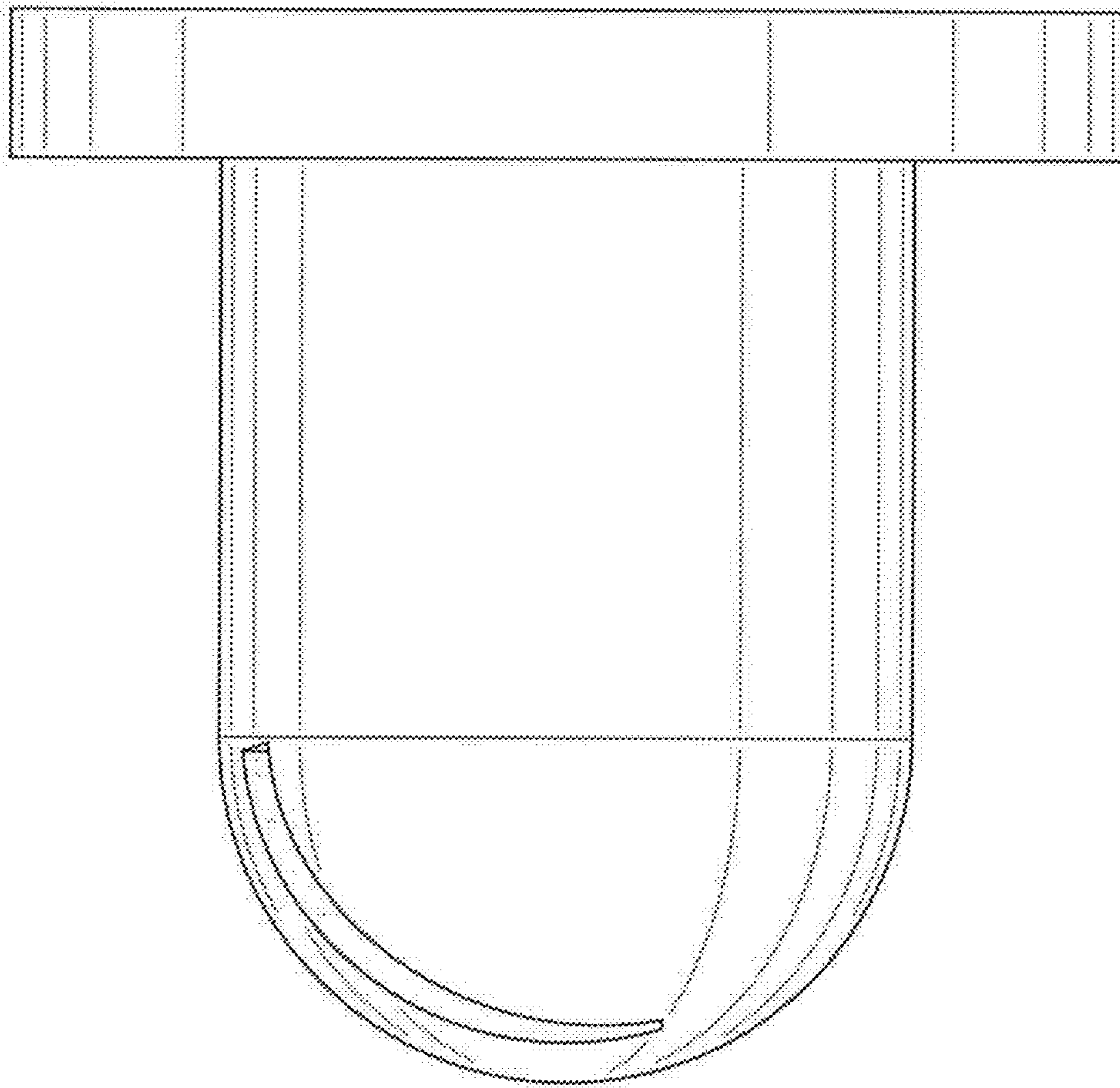


FIG. 2

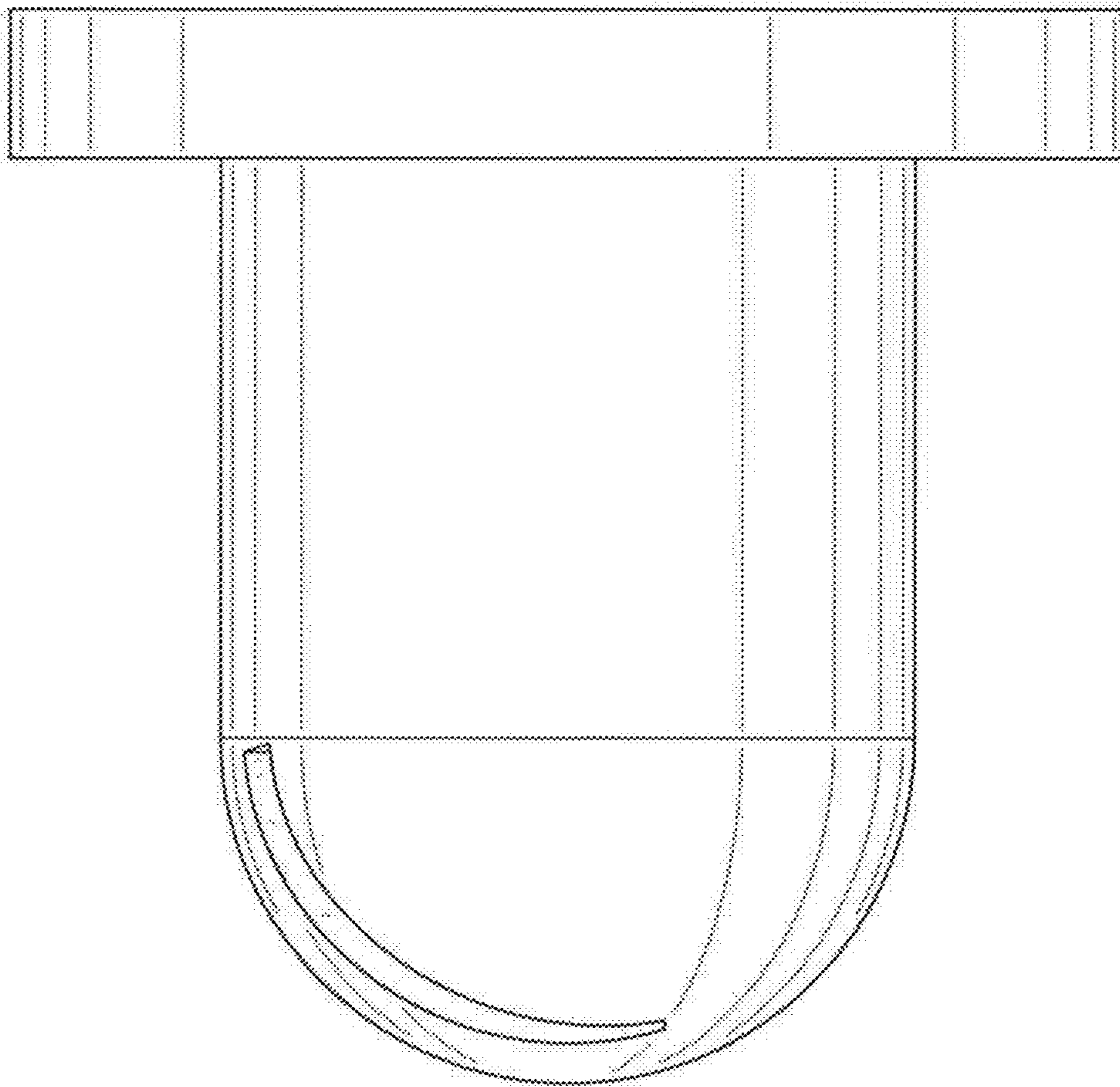


FIG. 3

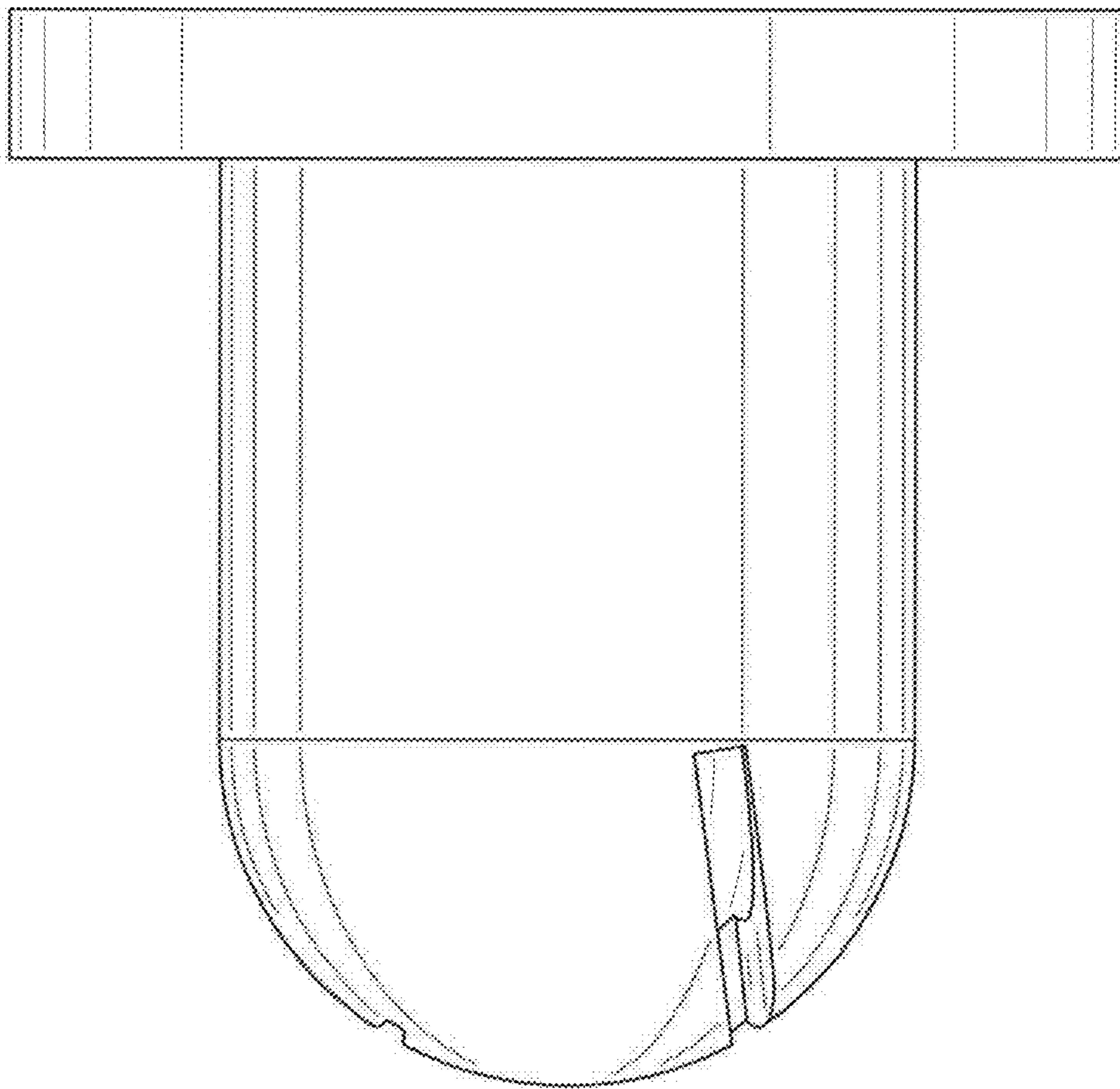


FIG. 4

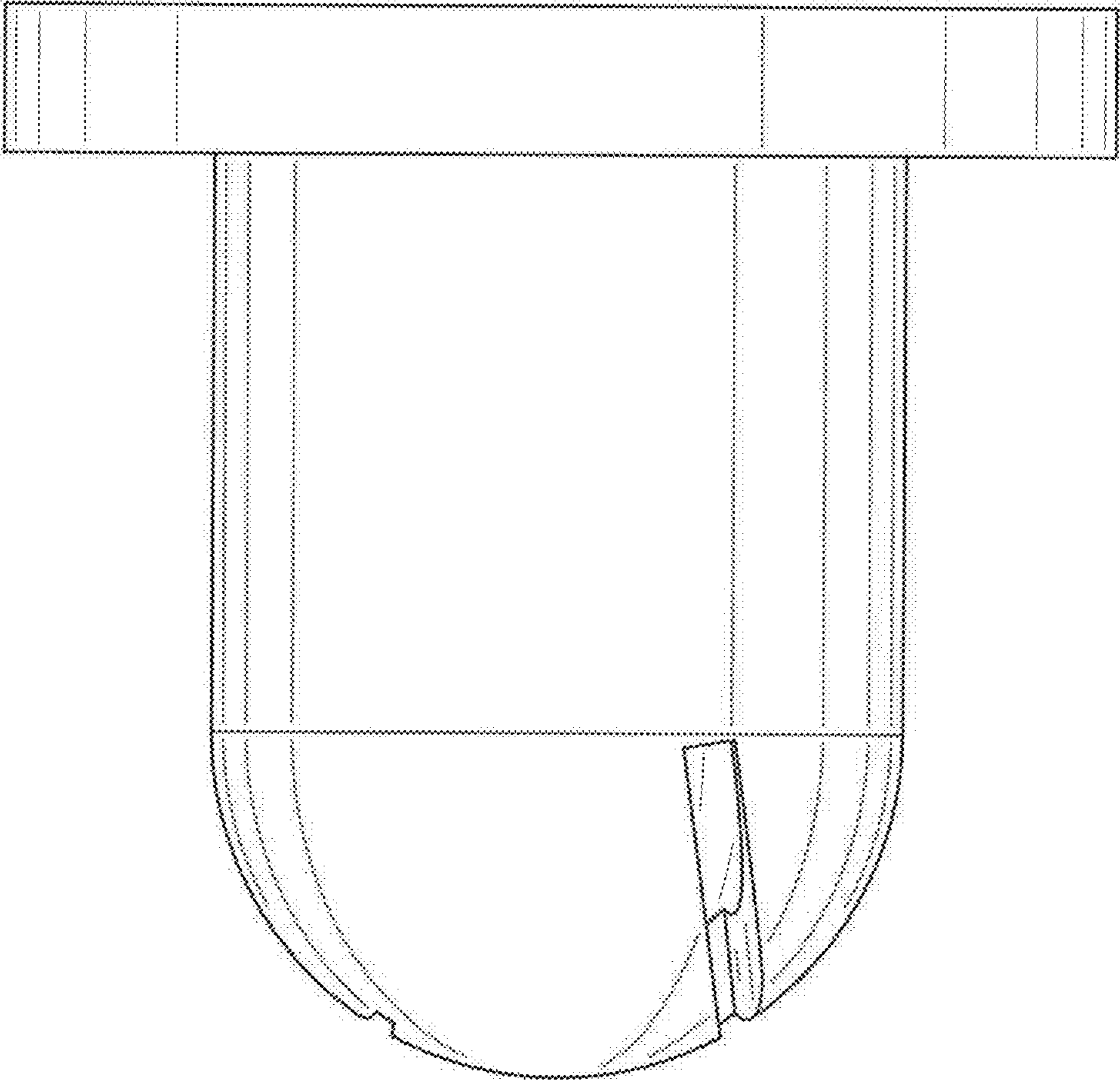


FIG. 5

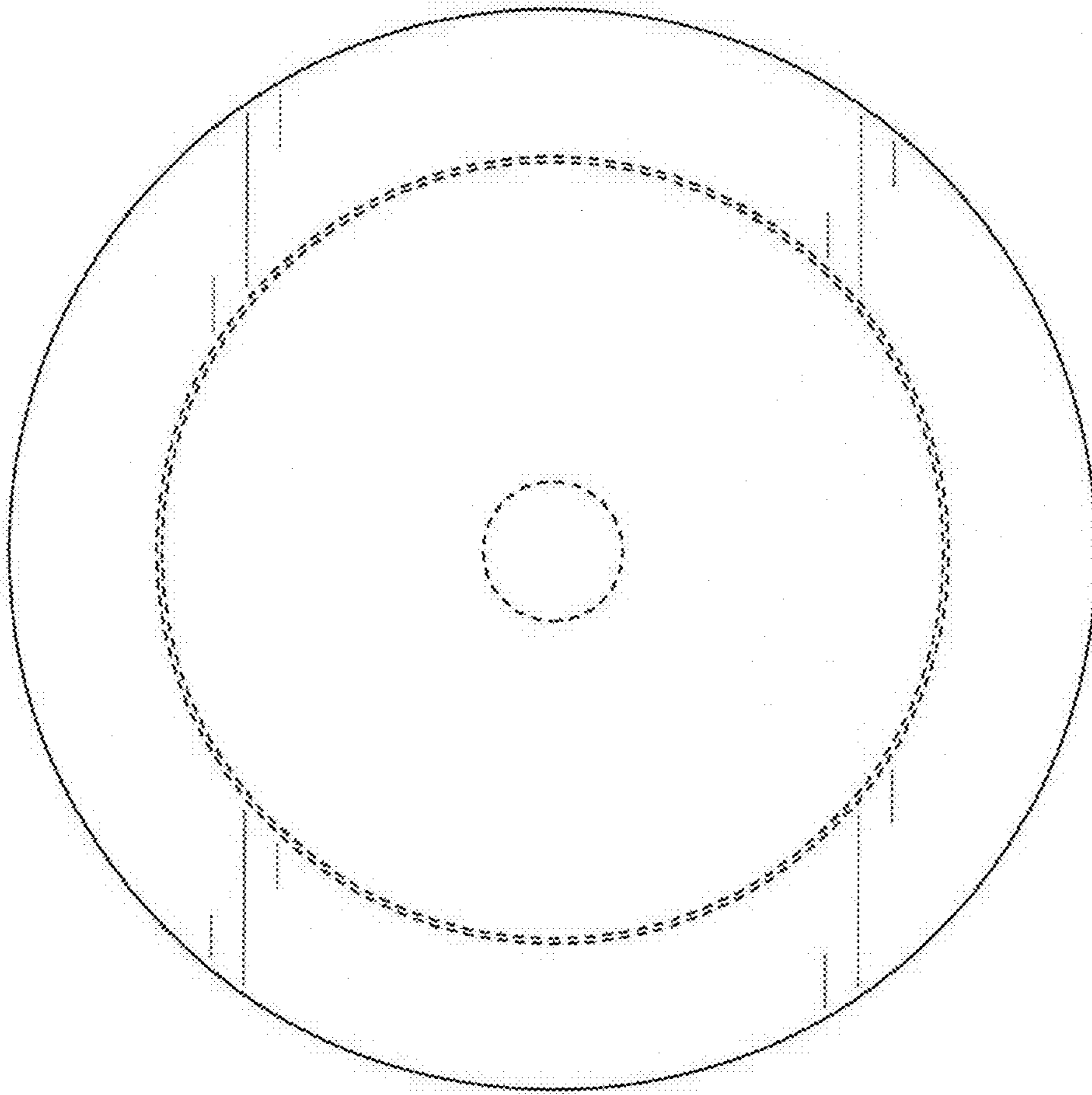


FIG. 6

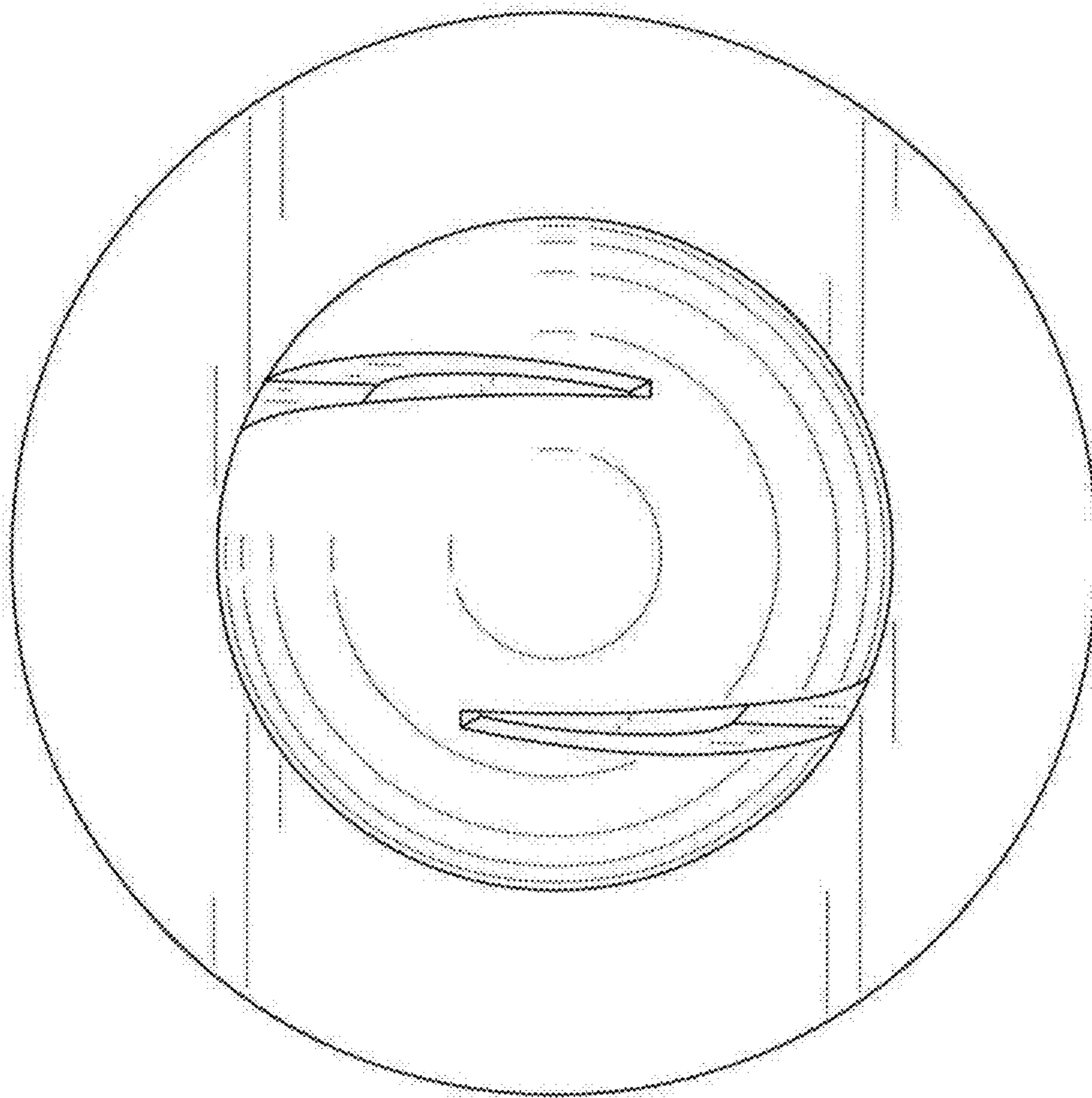


FIG. 7