



US00D912199S

(12) **United States Design Patent** (10) **Patent No.:** **US D912,199 S**
Aguiar et al. (45) **Date of Patent:** **** Mar. 2, 2021**

(54) **CYLINDER**

OTHER PUBLICATIONS

(71) Applicant: **AMTROL Licensing Inc.**, West Warwick, RI (US)

Composite Propane Tank, announced Jan. 23, 2018[online], [site visited Nov. 5, 2020]. Available from internet, URL:<https://www.amazon.ca/dp/B014V9H6R0> (Year: 2018).*

(72) Inventors: **Carlos Aguiar**, Oporto (PT); **Pedro Vieira**, Matosinhos (PT)

(Continued)

(73) Assignee: **amtrol licensing inc.**, West Warwick, RI (US)

Primary Examiner — Barbara Fox

Assistant Examiner — Jamaal Rasheed

(**) Term: **15 Years**

(74) *Attorney, Agent, or Firm* — Tucker Ellis LLP; Carlos Garritano

(21) Appl. No.: **29/686,600**

(57) **CLAIM**

The ornamental design for a cylinder, as shown and described.

(22) Filed: **Apr. 5, 2019**

DESCRIPTION

(51) **LOC (13) Cl.** **09-01**

FIG. 1 is first top front perspective view of a cylinder showing a new design;

(52) **U.S. Cl.**

USPC **D23/205**

FIG. 2 is a first top rear perspective view of the cylinder illustrated in FIG. 1;

(58) **Field of Classification Search**

USPC D23/202, 205, 206, 213, 225; D34/39; D24/164; D7/313

CPC F17C 1/00; F17C 1/02; F17C 1/06; F17C 13/04; F17C 13/08

See application file for complete search history.

FIG. 3 is a second top rear perspective view of the cylinder illustrated in FIG. 1;

FIG. 4 is a second top front perspective view of the cylinder illustrated in FIG. 1;

FIG. 5 is a bottom front perspective view of the cylinder illustrated in FIG. 1;

FIG. 6 is a bottom rear perspective view of the cylinder illustrated in FIG. 1;

FIG. 7 is a front view of the cylinder illustrated in FIG. 1;

FIG. 8 is a left side view of the cylinder illustrated in FIG. 1;

FIG. 9 is a rear view of the cylinder illustrated in FIG. 1;

FIG. 10 is a right side view of the cylinder illustrated in FIG. 1;

FIG. 11 is a top view of the cylinder illustrated in FIGS. 1; and,

FIG. 12 is a bottom view of the cylinder illustrated in FIG. 1.

The broken lines shown for the purpose of illustrating parts of the cylinder and form no part of the claimed design.

(56) **References Cited**

U.S. PATENT DOCUMENTS

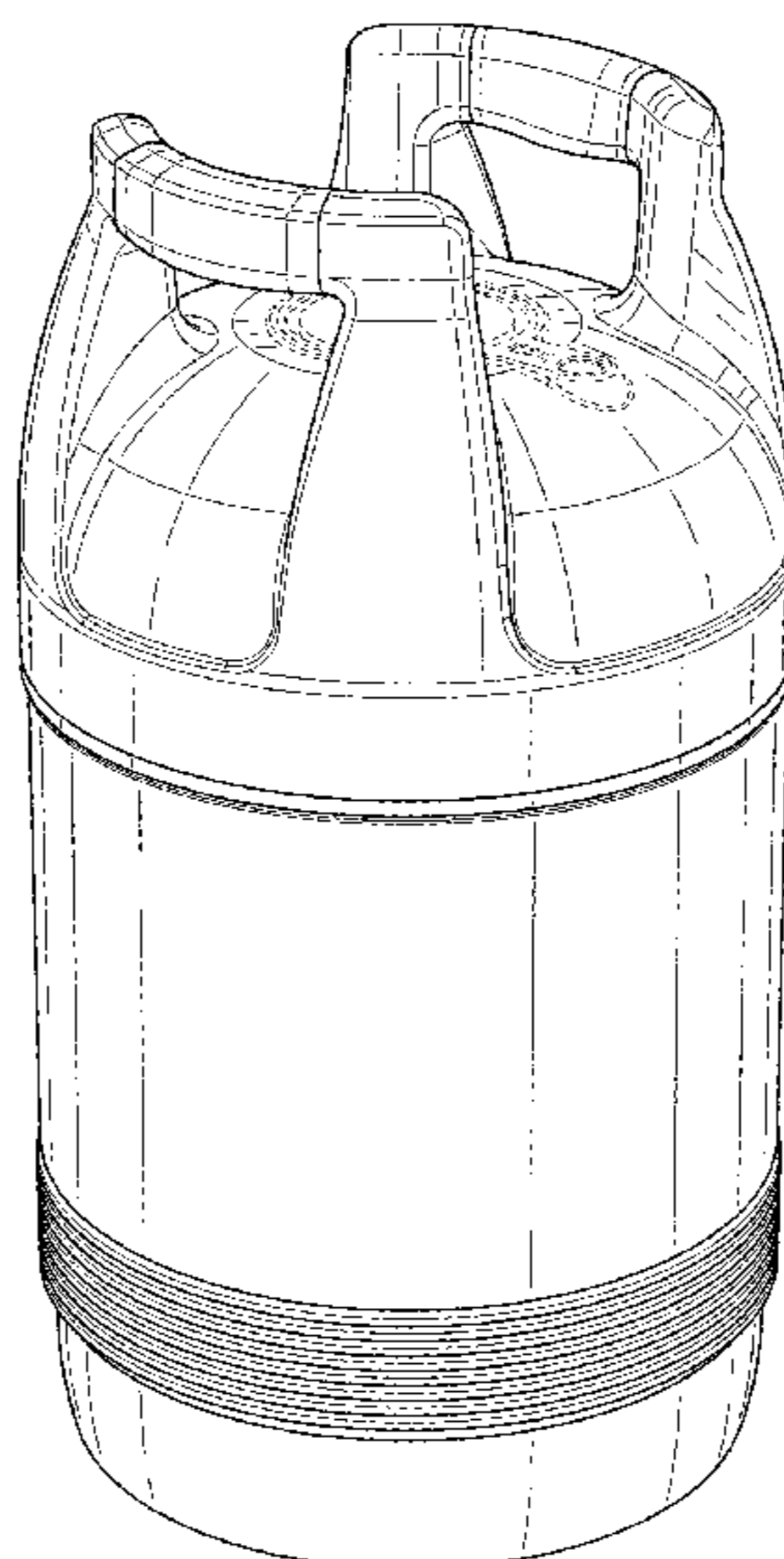
D105,512 S * 8/1937 Brandt D7/313
3,929,042 A * 12/1975 Blocker F16K 1/308
81/124.7

(Continued)

FOREIGN PATENT DOCUMENTS

CN 300683771 * 6/2006
JP D1541921 * 6/2015
WO D209968-001 * 4/2020

1 Claim, 12 Drawing Sheets



(56)

References Cited

U.S. PATENT DOCUMENTS

3,947,942 A * 4/1976 Blocker B25B 13/48
 29/890.121
 D243,530 S * 3/1977 Bodine D23/205
 D306,639 S * 3/1990 Wills D23/205
 D374,959 S * 10/1996 Mull D34/39
 D436,401 S * 1/2001 Remes D24/164
 6,761,194 B1 * 7/2004 Blong F17C 13/084
 141/98
 8,215,517 B2 * 7/2012 Chohfi F17C 1/14
 220/581
 8,863,977 B2 * 10/2014 Koppert F17C 1/16
 220/592
 D746,942 S * 1/2016 Koppert D23/202
 D759,785 S * 6/2016 Hamnvik D23/202
 D809,090 S * 1/2018 Aguiar D23/206
 9,932,148 B2 * 4/2018 Chohfi F17C 1/00
 D845,435 S * 4/2019 Pedrosa D23/225
 D894,521 S * 8/2020 Falvey D34/39
 2010/0126267 A1 * 5/2010 Agam G01F 23/2961
 73/290 V

2010/0147859 A1 * 6/2010 Chohfi F17C 1/14
 220/581
 2011/0168726 A1 * 7/2011 Silva Vieira F17C 1/06
 220/590
 2013/0277376 A1 * 10/2013 Liebenberg B62B 1/26
 220/589
 2014/0332544 A1 * 11/2014 Nolan F17C 13/06
 220/731
 2016/0215928 A1 * 7/2016 Chohfi F17C 1/00
 2019/0353305 A1 * 11/2019 Aguiar F17C 13/04
 2020/0132252 A1 * 4/2020 Silva Vieira F17C 1/02

OTHER PUBLICATIONS

Forklift Cylinder, announced Aug. 7, 2014[online], [site visited Nov. 5, 2020]. Available from internet, URL:<<https://www.amazon.ca/dp/B00181Y618>> (Year: 2014).*

Propane Cylinder, announced Aug. 7, 2014[online], [site visited Nov. 5, 2020]. Available from internet, URL:<<https://www.amazon.ca/dp/B003UHVVV2>> (Year: 2014).*

* cited by examiner

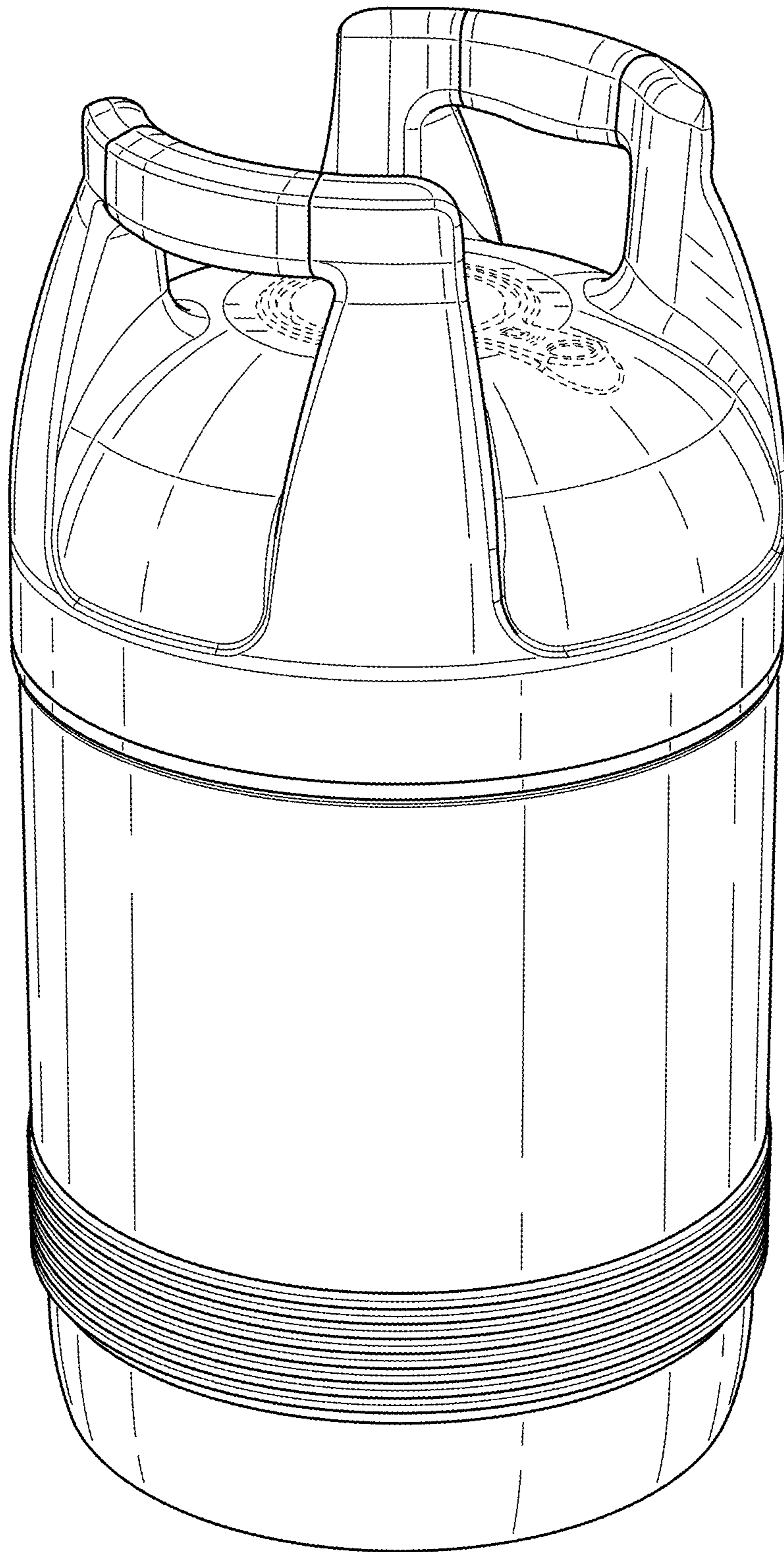


FIG. 1

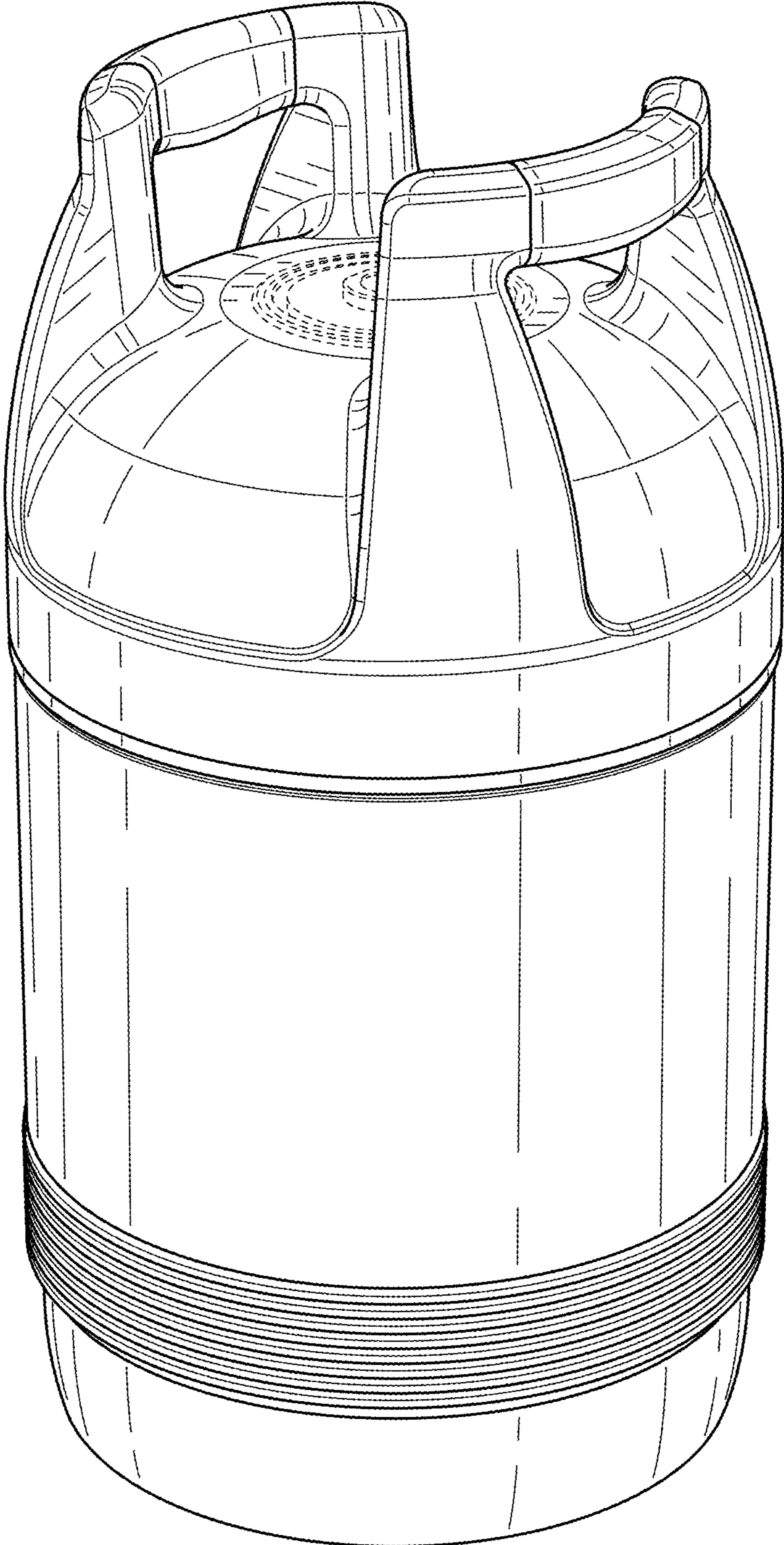


FIG. 2

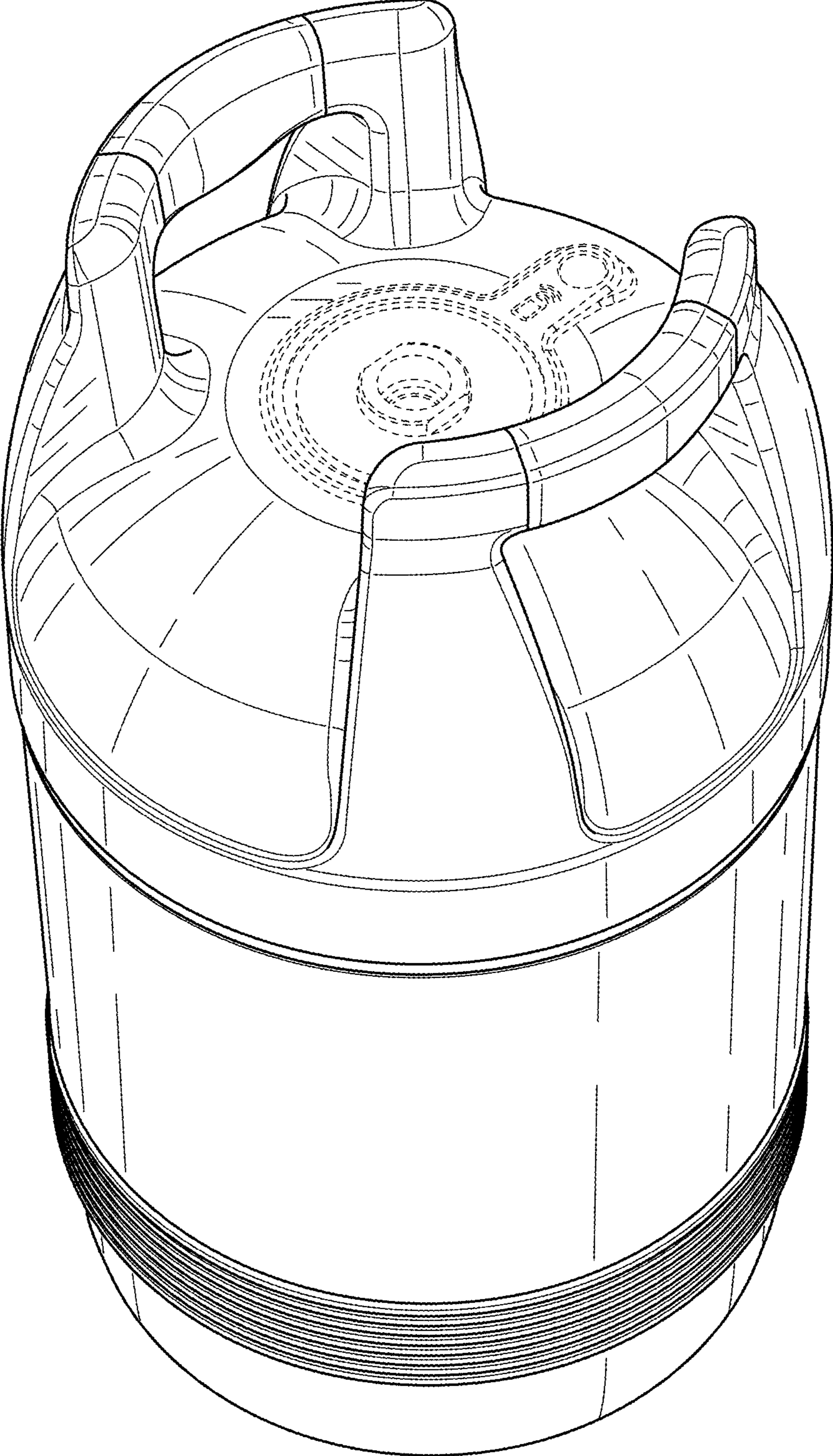


FIG. 3

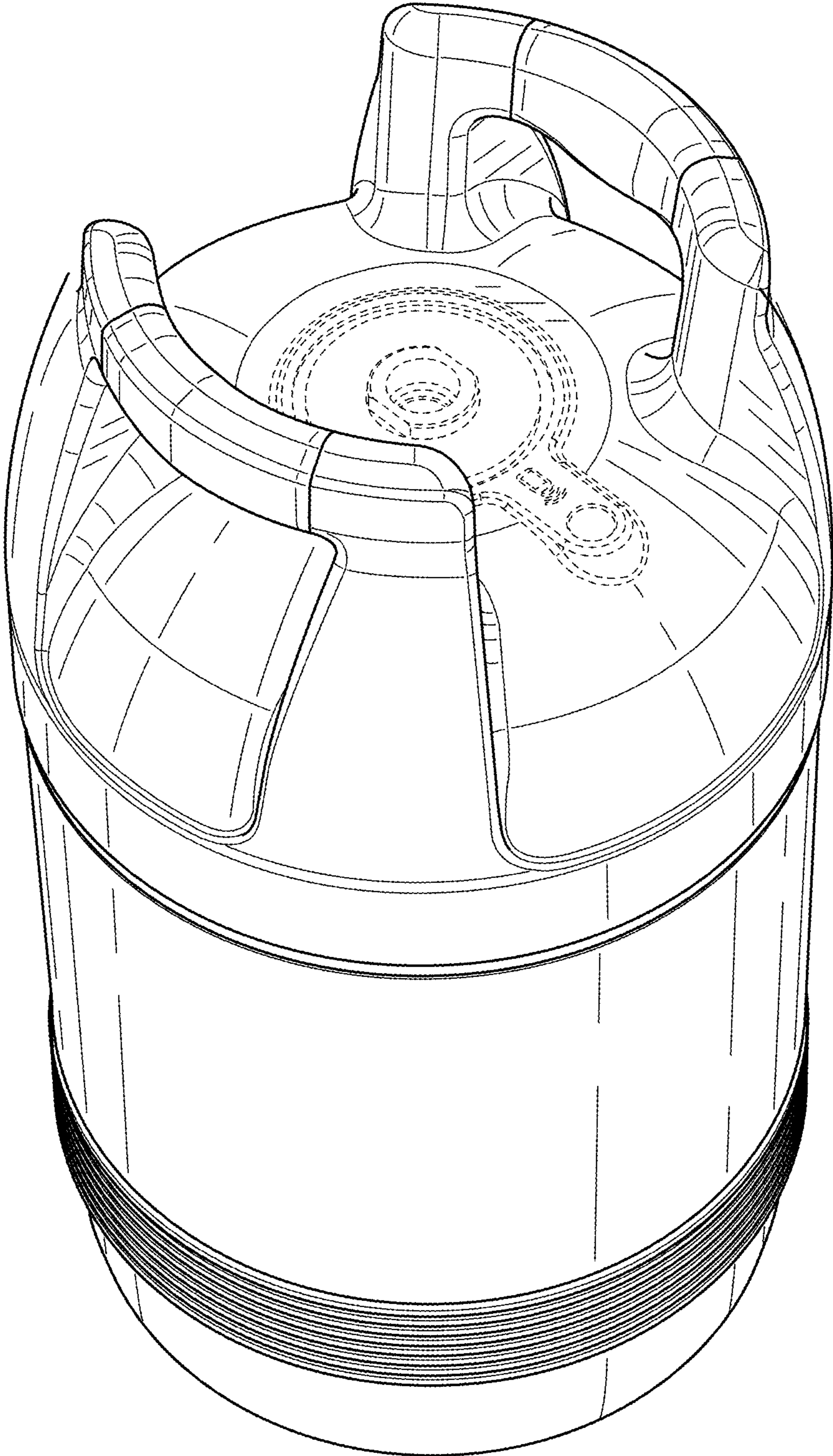


FIG. 4

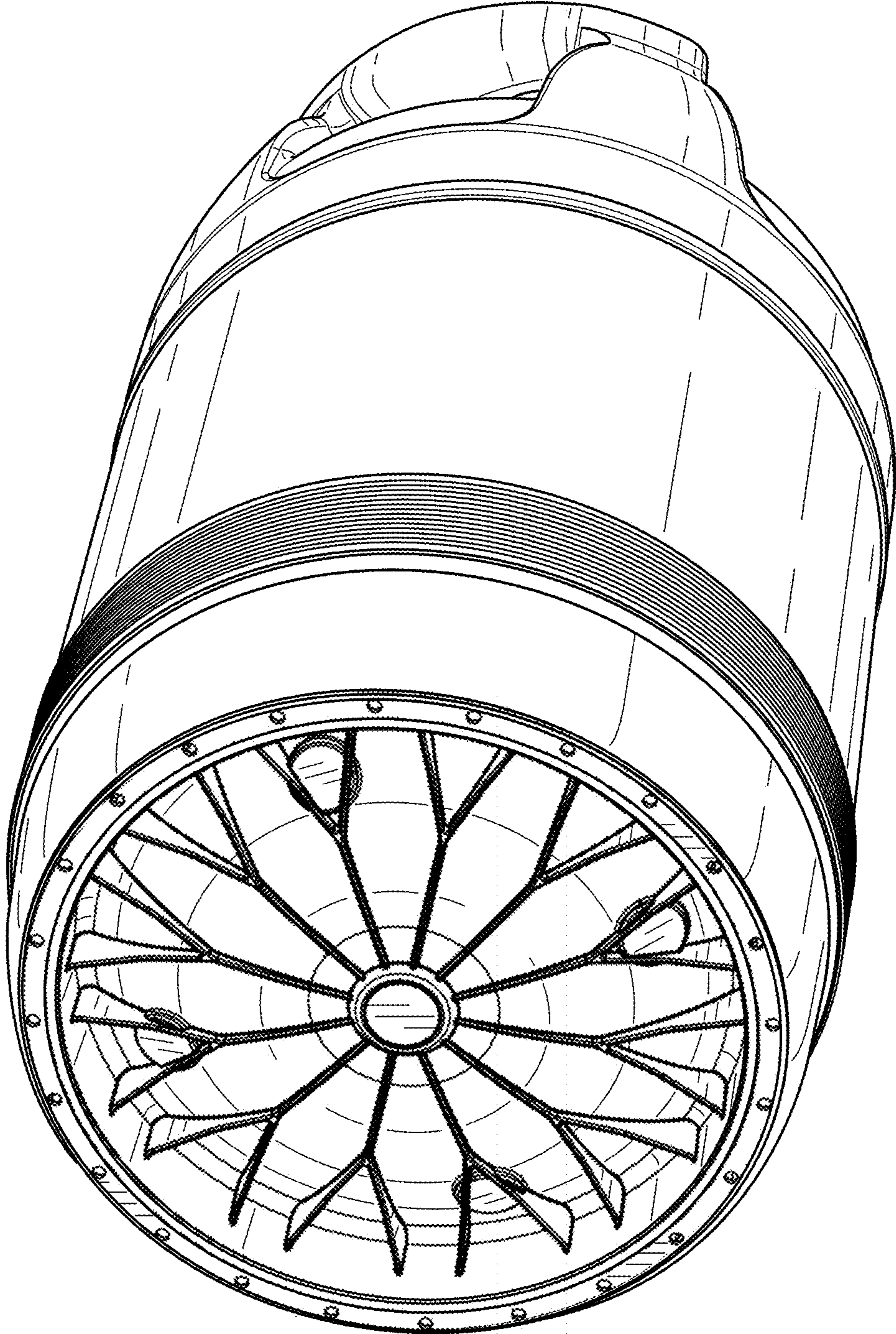


FIG. 5

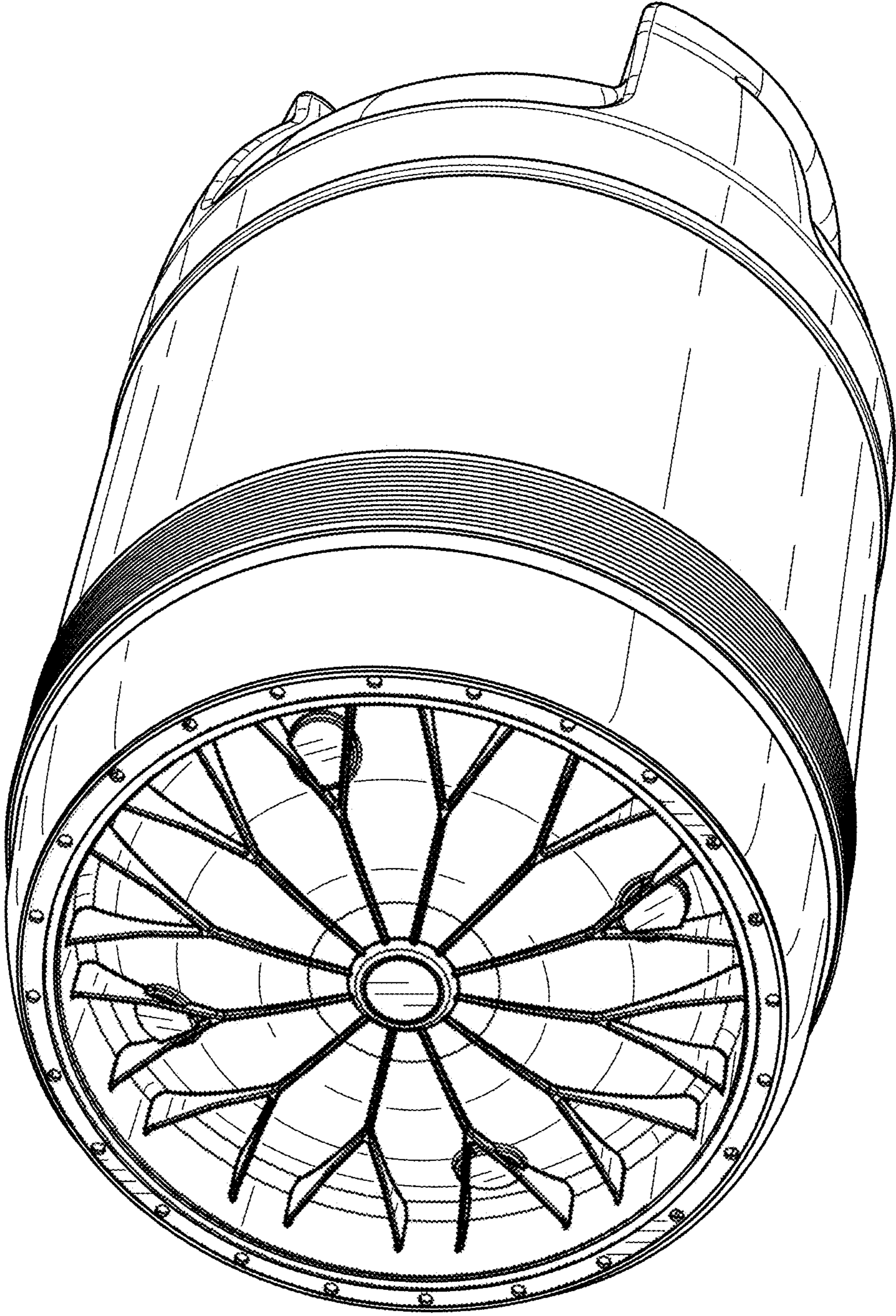


FIG. 6

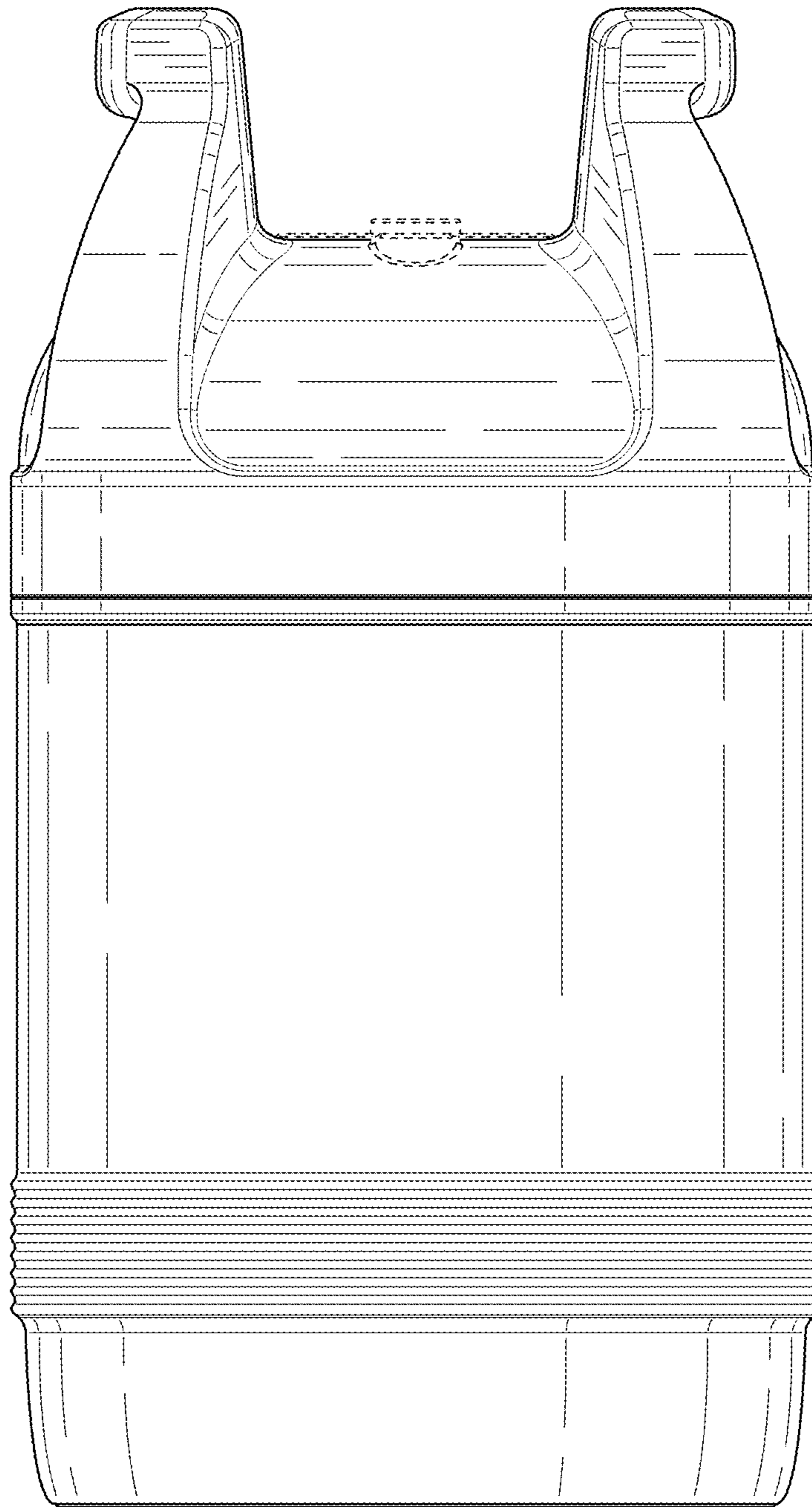


FIG. 7

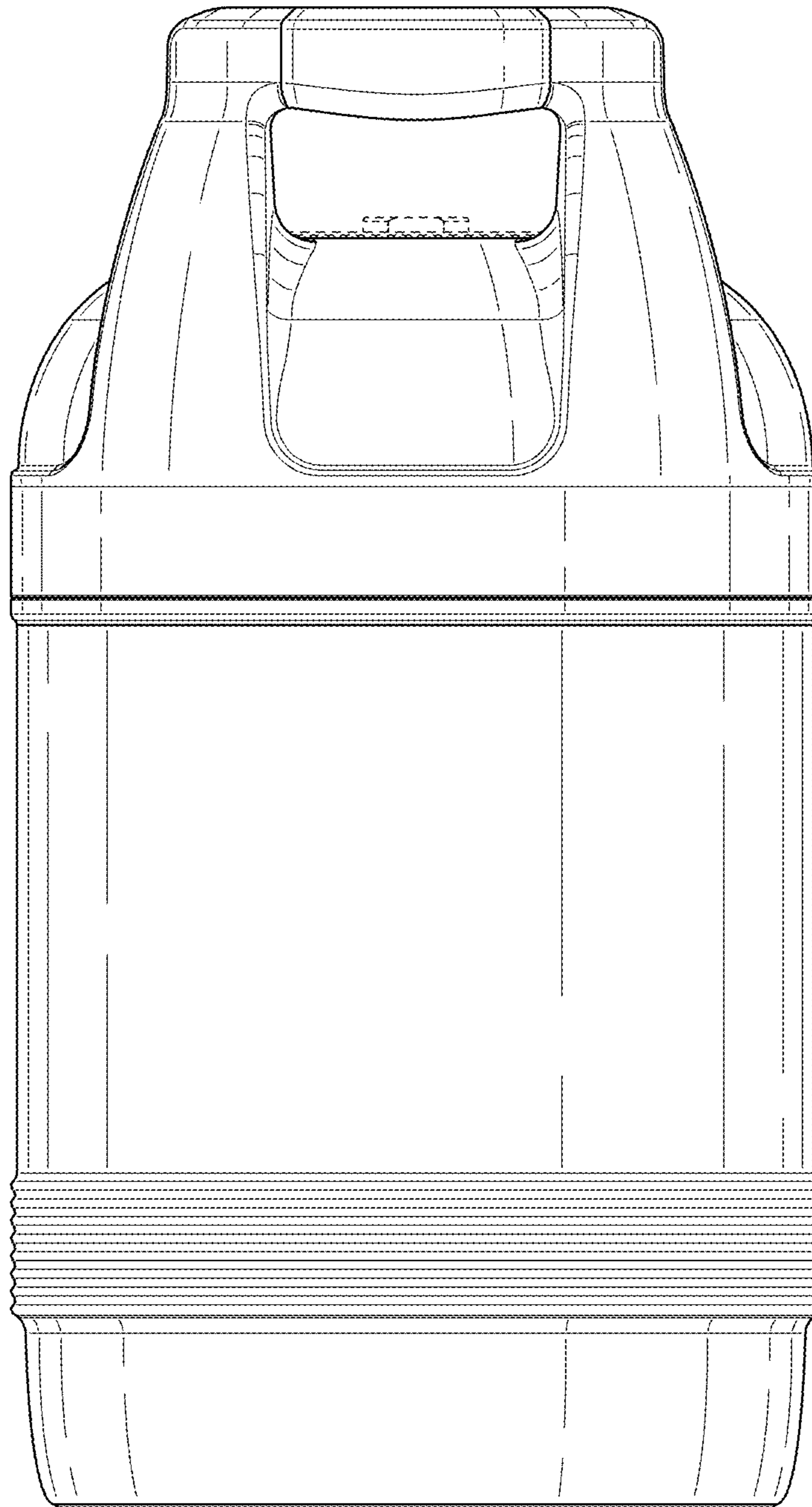


FIG. 8

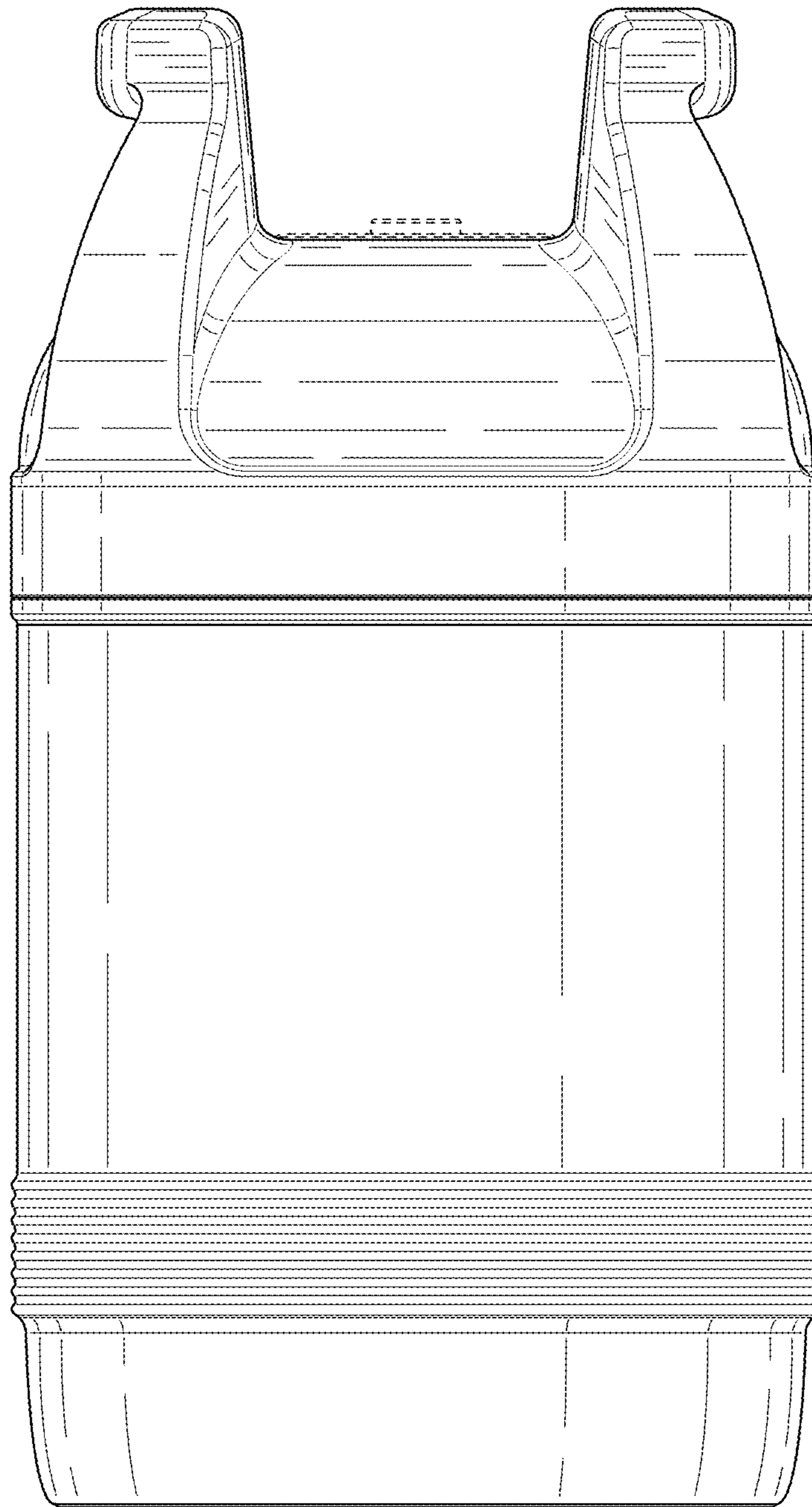


FIG. 9

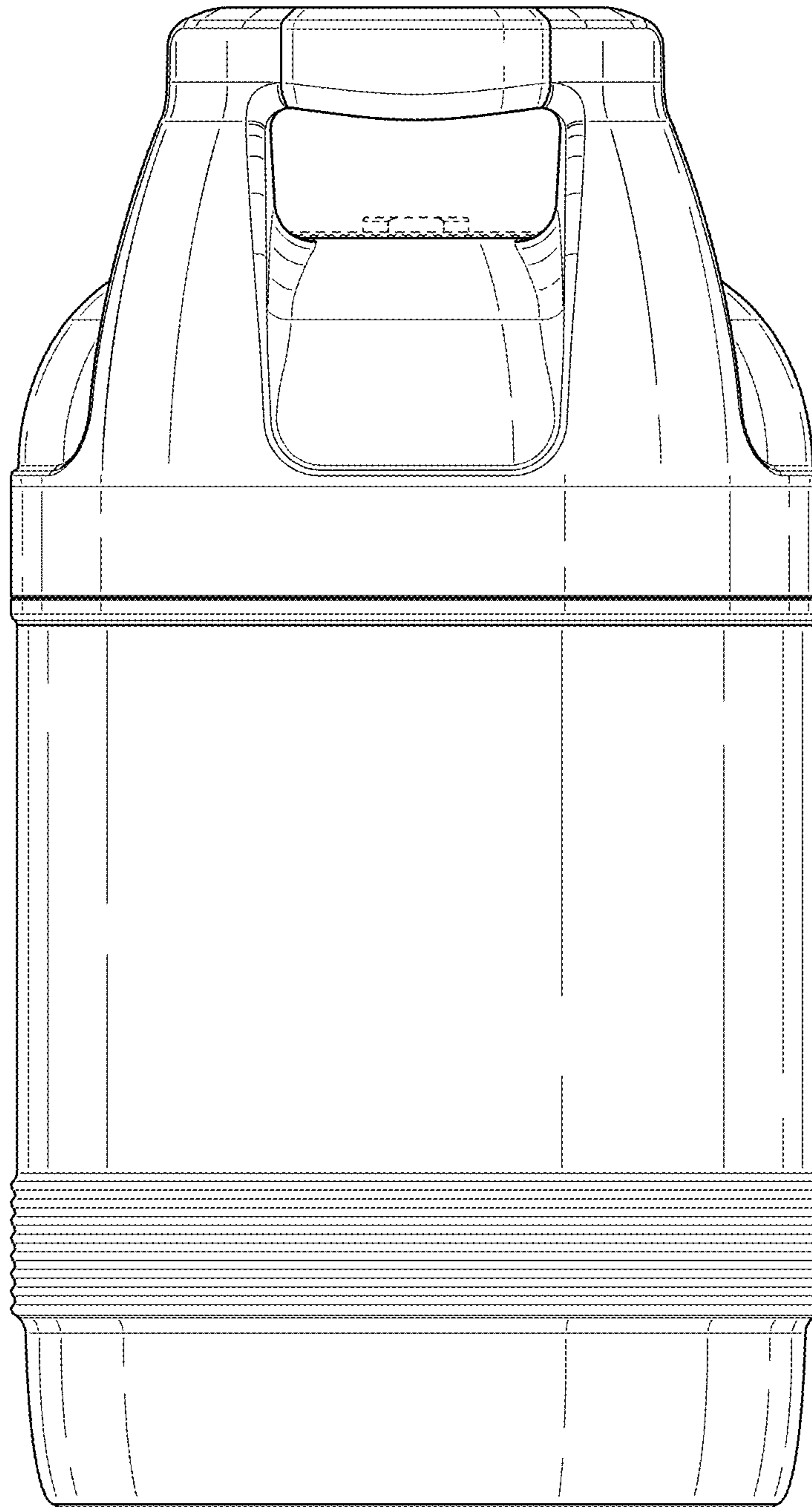


FIG. 10

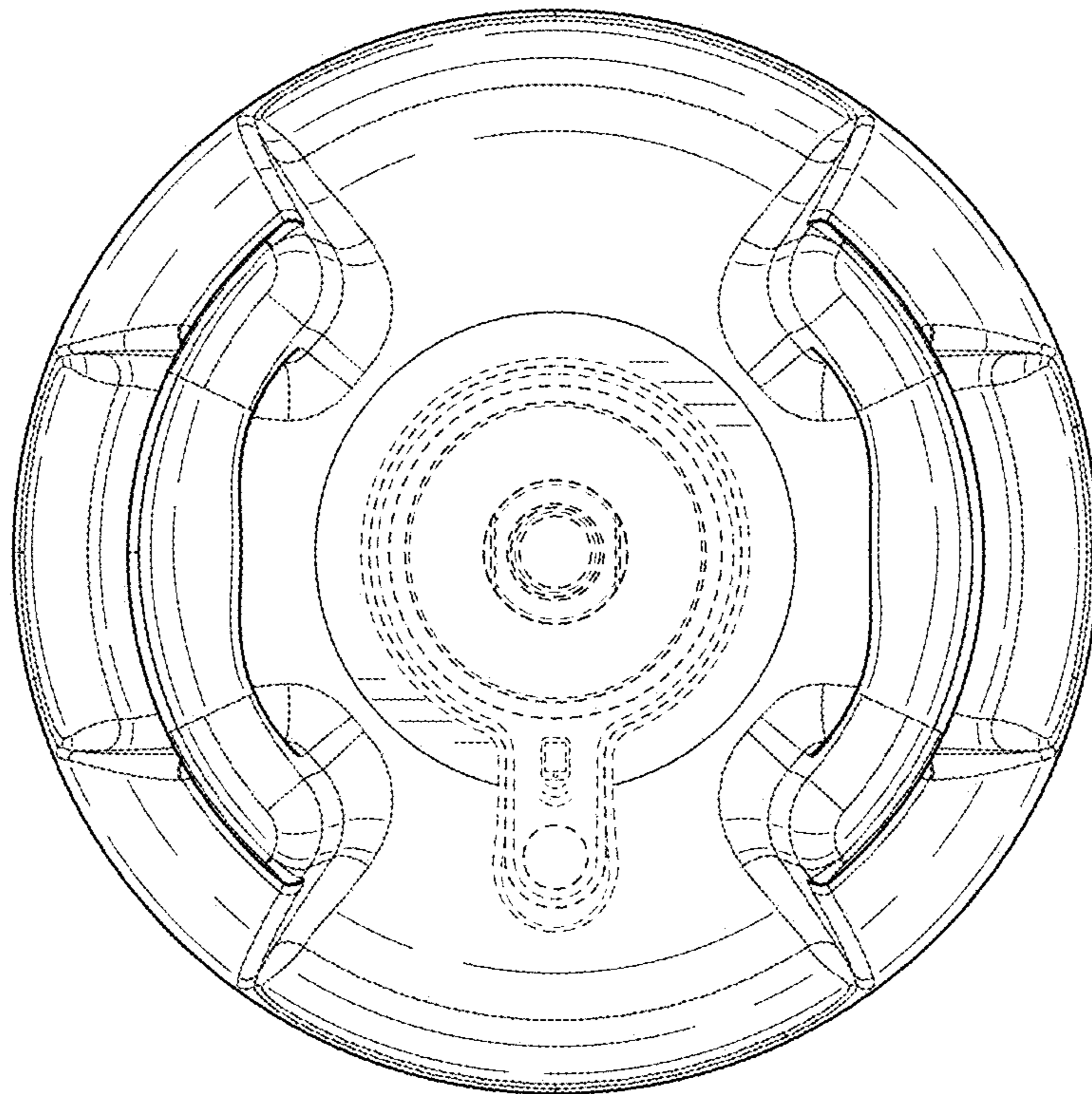


FIG. 11

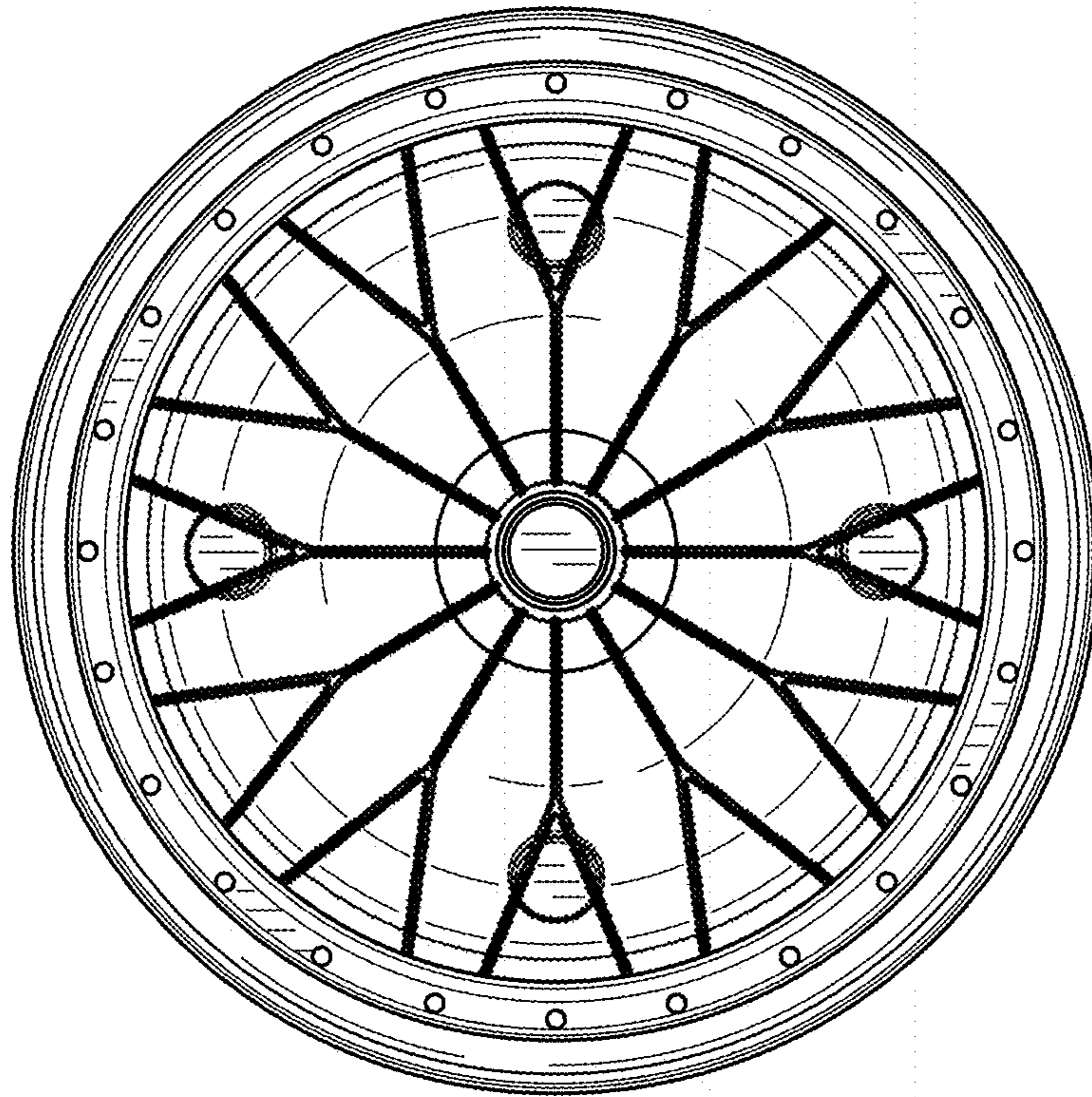


FIG. 12